

z/OS Communications Server
2.5

IP CICS Sockets Guide



Note:

Before using this information and the product it supports, be sure to read the general information under [“Notices” on page 583](#).

This edition applies to Version 2 Release 5 of z/OS® (5650-ZOS), and to subsequent releases and modifications until otherwise indicated in new editions.

Last updated: 2021-09-11

© **Copyright International Business Machines Corporation 2000, 2021.**

US Government Users Restricted Rights – Use, duplication or disclosure restricted by GSA ADP Schedule Contract with IBM Corp.

Contents

Figures.....	xiii
Tables.....	xxi
About this document.....	xxiii
Who should read this document.....	xxiii
How this document is organized.....	xxiii
How to use this document.....	xxiv
How to contact IBM service.....	xxiv
Conventions and terminology that are used in this information.....	xxiv
How to read a syntax diagram.....	xxv
Prerequisite and related information.....	xxviii
Summary of changes for IP CICS Sockets Guide.....	xxxiii
Changes made in z/OS Communications Server Version 2 Release 5.....	xxxiii
Changes made in z/OS Communications Server Version 2 Release 4.....	xxxiii
Changes made in z/OS Communications Server Version 2 Release 3.....	xxxiii
Chapter 1. Introduction to CICS TCP/IP.....	1
TCP/IP internets.....	1
TCP/IP Services Telnet support.....	2
CICS TCP/IP client and server processing.....	2
TCP/IP TCP, UDP, and IP protocols.....	2
The socket API communication functions.....	3
Programming with sockets.....	3
A typical client-server program flow chart.....	6
Concurrent and iterative servers.....	8
Basic socket calls.....	9
Server TCP/IP calls.....	10
Client TCP/IP calls.....	12
Other socket calls used for servers.....	13
CICS TCP/IP requirements.....	16
CICS TCP/IP components.....	17
Summary of what CICS TCP/IP provides.....	17
The socket calls.....	17
The IBM listener.....	18
CICS TCP/IP conversion routines.....	18
Rules for configuring the IBM-supplied listener for IPv6.....	19
Monitoring with CICS Explorer.....	19
Chapter 2. Setting up and configuring CICS TCP/IP.....	21
Modifications to the startup of CICS.....	21
Modifying CICS startup (MVS JCL).....	23
Defining CICS TCP/IP resources.....	24
Transaction definitions for CICS.....	24
Using storage protection when running with CICS 3.3.0 or later.....	25
Required program definitions to support CICS TCP/IP.....	26
Updates to file definitions for CICS TCP/IP.....	31
Defining the TCPM transient data queue for CICS TCP/IP.....	33

CICS monitoring.....	34
CICS program list table.....	40
System recovery table.....	40
CICS TCP/IP security considerations.....	42
Modifying data sets for TCP/IP services.....	42
hlq.PROFILE.TCPIP data set.....	43
hlq.TCPIP.DATA data set.....	43
Adding a z/OS UNIX System Services segment.....	44
Configuring the CICS TCP/IP environment.....	44
Building the configuration data set with EZACICD.....	44
Customizing the configuration transaction (EZAC).....	57
z/OS UNIX System Services environment effects on IP CICS sockets.....	77
Chapter 3. Configuring the CICS Domain Name Server cache.....	79
CICS DNS cache function components.....	79
VSAM cache file.....	80
EZACICR macro.....	80
EZACIC25 module.....	80
How the DNS cache handles requests.....	80
Using the DNS cache.....	81
Step 1: Create the initialization module.....	81
Step 2: Define the cache file to CICS.....	84
Step 3: Issue EZACIC25.....	84
HOSTENT structure.....	85
Chapter 4. Managing IP CICS sockets.....	87
Starting and stopping CICS automatically.....	87
IP CICS socket interface management.....	88
Using the INQUIRE function.....	88
Using the SET function.....	90
Using the START function.....	92
Using the STOP function.....	95
Abbreviating the EZAO transaction parameters.....	97
Starting and stopping CICS TCP/IP with program link.....	98
Handling task hangs.....	99
Chapter 5. Writing your own listener.....	101
Prerequisites for writing your own listener.....	101
Using IBM environmental support for user-written listeners.....	101
Chapter 6. Writing applications that use the IP CICS sockets API.....	105
Writing CICS TCP/IP applications.....	105
The client-listener-child-server application set.....	107
Writing your own concurrent server.....	109
The iterative server CICS TCP/IP application.....	110
The client CICS TCP/IP application.....	111
Defining socket addresses.....	112
Address family (domain) support.....	112
IP address allocation.....	112
Port number identification.....	112
Address structures.....	112
MVS address spaces relationship between TCP/IP and CICS.....	113
TCP/IP network byte ordering convention.....	114
GETCLIENTID, GIVESOCKET, and TAKESOCKET.....	114
CICS application transaction (IBM listener).....	116
IBM listener input format.....	116
Examples of client input and the listener processing.....	117

IBM listener output format.....	118
Writing your own security or transaction link modules for the listener.....	124
Threadsafe considerations for IP CICS sockets applications.....	129
How CICS selects an L8 mode TCB.....	132
Data conversion routines.....	132
Application Transparent Transport Layer Security.....	132
Example of inbound AT-TLS support.....	133
Example of outbound AT-TLS support.....	134

Chapter 7. C language application programming..... 137

C socket library.....	137
C socket compilation.....	138
Changes to DFHYITDL.....	138
Compile your program.....	138
Structures used in socket calls.....	139
The ERRNO variable.....	142
C socket call guidance.....	142
accept() call.....	142
bind() call.....	144
bind2addrsel() call.....	146
close() call.....	148
connect() call.....	148
fcntl() call.....	150
freeaddrinfo() call.....	151
gai_strerror() call.....	151
getaddrinfo() call.....	152
getclientid() call.....	157
gethostbyaddr() call.....	158
gethostbyname() call.....	158
gethostid() call.....	159
gethostname() call.....	159
getip4sourcefilter() call.....	160
getnameinfo() call.....	161
getpeername() call.....	163
getsockname() call.....	164
getsockopt(), setsockopt() calls.....	165
getsourcefilter() call.....	174
givesocket() call.....	176
if_freenameindex() call.....	177
if_indextoname() call.....	177
if_nameindex() call.....	178
if_nametoindex() call.....	178
inet_ntop() call.....	179
inet_pton() call.....	180
inet6_is_srcaddr() call.....	180
initapi() call.....	182
ioctl() call.....	183
listen() call.....	186
read() call.....	186
recv() call.....	187
recvfrom() call.....	188
select() call.....	190
send() call.....	192
sendto() call.....	193
setip4sourcefilter() call.....	195
setsockopt() call.....	196
setsourcefilter() call.....	196

shutdown() call.....	197
socket() call.....	197
takesocket() call.....	198
write() call.....	199
Address Testing Macros.....	200

Chapter 8. Sockets extended API..... 203

Environmental restrictions and programming requirements for the Callable Socket API.....	203
CALL instruction API.....	203
Understanding COBOL, assembler, and PL/I call formats.....	204
COBOL language call format.....	204
Assembler language call format.....	204
PL/I language call format.....	205
Converting parameter descriptions.....	205
Error messages and return codes.....	206
Code CALL instructions.....	206
ACCEPT call.....	206
BIND call.....	208
BIND2ADDRSEL call.....	211
CLOSE call.....	213
CONNECT call.....	214
FCNTL call.....	217
FREEADDRINFO call.....	218
GETADDRINFO call.....	219
GETCLIENTID call.....	227
GETHOSTBYADDR call.....	228
GETHOSTBYNAME call.....	231
GETHOSTID call.....	233
GETHOSTNAME call.....	233
GETNAMEINFO call.....	235
GETPEERNAME call.....	238
GETSOCKNAME call.....	240
GETSOCKOPT call.....	242
GIVESOCKET call.....	258
INET6_IS_SRCADDR call.....	260
INITAPI and INITAPIX calls.....	263
IOCTL call.....	265
LISTEN call.....	275
NTOPT call.....	276
PTON call.....	278
READ call.....	280
READV call.....	282
RECV call.....	283
RECVFROM call.....	285
RECVMSG call.....	288
SELECT call.....	291
SELECTEX call.....	295
SEND call.....	301
SENDMSG call.....	303
SENDTO call.....	306
SETSOCKOPT call.....	309
SHUTDOWN call.....	325
SOCKET call.....	327
TAKESOCKET call.....	329
TERMAPI call.....	330
WRITE call.....	331
WRITEV call.....	332

Using data translation programs for socket call interface.....	334
Data translation from ASCII and EBCDIC data notation.....	334
Bit string processing.....	335
Appendix A. Original COBOL application programming interface (EZACICAL).....	349
Using the EZACICAL or Sockets Extended API.....	349
COBOL compilation.....	349
The EZACICAL API.....	350
EZACICAL call format for COBOL.....	350
EZACICAL call format for PL/I.....	350
EZACICAL call format for assembler language.....	350
COBOL and assembler language socket calls.....	351
COBOL call for ACCEPT.....	351
COBOL call for BIND.....	352
COBOL call for CLOSE.....	353
COBOL call for CONNECT.....	354
COBOL call for FCNTL.....	355
COBOL call for GETCLIENTID.....	356
COBOL call for GETHOSTID.....	357
COBOL call for GETHOSTNAME.....	358
COBOL call for GETPEERNAME.....	359
COBOL call for GETSOCKNAME.....	360
COBOL call for GETSOCKOPT.....	361
COBOL call for GIVESOCKET.....	363
COBOL call for INITAPI.....	364
COBOL call for IOCTL.....	365
COBOL call for LISTEN.....	366
COBOL call for READ.....	367
COBOL call for RECVFROM.....	368
COBOL call for SELECT.....	369
COBOL call for SEND.....	371
COBOL call for SENDTO.....	372
COBOL call for SETSOCKOPT.....	373
COBOL call for SHUTDOWN.....	375
COBOL call for SOCKET.....	376
COBOL call for TAKESOCKET.....	377
COBOL call for WRITE.....	378
Appendix B. Return codes.....	381
Sockets return codes (ERRNOs).....	381
Sockets extended ERRNOs.....	392
Appendix C. GETSOCKOPT/SETSOCKOPT command values.....	397
Appendix D. CICS sockets messages.....	401
EZY1218—EZY1371.....	401
EZY1218E: <i>mm/dd/yy hh:mm:ss</i> PROGRAM <i>programname</i> DISABLED TRANID= <i>transactionid</i> PARTNER INET ADDR= <i>inetaddress</i> PORT= <i>portnumber</i>	401
EZY1219E: <i>mm/dd/yy hh:mm:ss</i> UNEXPECTED <i>eventtype</i> EVENT IN LISTENER <i>transactionid</i> FROM CLIENT IP ADDRESS <i>ipaddress</i> PORT <i>portnumber</i>	401
EZY1220E: <i>mm/dd/yy hh:mm:ss</i> READ FAILURE ON CONFIGURATION FILE PHASE= <i>phase</i> EIBRESP2= <i>response</i>	402
EZY1221E: <i>mm/dd/yy hh:mm:ss</i> CICS SOCKETS ENABLE FAILURE EIBRCODE BYTE2 = <i>resp_code</i>	403
EZY1222E: <i>mm/dd/yy hh:mm:ss</i> CICS/SOCKETS REGISTRATION FAILURE RETURN code= <i>return_code</i>	403

EZY1223E: mm/dd/yy hh:mm:ss CICS/SOCKETS ATTACH FAILURE RETURN CODE = return_code REASON CODE = reason_code.....	404
EZY1224I: mm/dd/yy hh:mm:ss CICS/SOCKETS INITIALIZATION SUCCESSFUL USING tasking_method.....	404
EZY1225E: mm/dd/yy hh:mm:ss STARTBR FAILURE ON CICS/SOCKETS CONFIGURATION FILE PHASE=xx EIBRESP2=rrrrrr.....	405
EZY1226E: mm/dd/yy hh:mm:ss READNEXT FAILURE ON CICS/SOCKETS CONFIGURATION FILE PHASE=xx EIBRESP2=rrrrrr	406
EZY1227E: mm/dd/yy hh:mm:ss CICS/SOCKETS INVALID LISTENER TRANID = tran.....	406
EZY1228E: mm/dd/yy hh:mm:ss CICS/SOCKETS LISTENER TRANSACTION tran DISABLED.....	407
EZY1229E: mm/dd/yy hh:mm:ss CICS SOCKETS LISTENER TRANSACTION tran NOT AUTHORIZED.....	407
EZY1246E: mm/dd/yy hh:mm:ss CICS SOCKETS LISTENER PROGRAM ID mmmmmmmm INVALID.....	408
EZY1247E: mm/dd/yy hh:mm:ss CICS SOCKETS LISTENER PROGRAM ID mmmmmmmm DISABLED.....	408
EZY1250E: mm/dd/yy hh:mm:ss CICS/SOCKETS LISTENER tran NOT ON CONFIGURATION FILE.....	409
EZY1251E: mm/dd/yy hh:mm:ss CICS SOCKETS MODULE mmmmmmmm ABEND xxxx.....	409
EZY1252E: mm/dd/yy hh:mm:ss UNABLE TO LOAD EZASOH03 ERROR CODE= error_code REASON CODE= reason_code.....	410
EZY1253E: mm/dd/yy hh:mm:ss CICS/SOCKETS LISTENER tran NOT ON CONFIGURATION FILE.....	410
EZY1254E: mm/dd/yy hh:mm:ss CACHE FILE ERROR RESP2 VALUE ***** CALL # *.....	411
EZY1255E: mm/dd/yy hh:mm:ss TEMPORARY STORAGE ERROR RESP2 VALUE ***** CALL # *..	411
EZY1256E: mm/dd/yy hh:mm:ss CICS SOCKETS INTERFACE NOT ENABLED PRIOR TO LISTENER STARTUP.....	412
EZY1258I: module ENTRY POINT IS address.....	412
EZY1259E: mm/dd/yy hh:mm:ss IOCTL CALL FAILURE TRANSACTION=transactionid TASKID=tasknumber ERRNO=errno.....	413
EZY1260E: mm/dd/yy hh:mm:ss EZACIC03 ATTACH FAILED GPR15=xxxxxxx ERRNO=errno TRAN=tran TASK=cicstask.....	413
EZY1261I: mm/dd/yy hh:mm:ss EZACIC03 ATTACH SUCCESSFUL, TCB ADDRESS= tcbaddr TERM=term TRAN=tran TASK=cicstask.....	414
EZY1262E: mm/dd/yy hh:mm:ss GWA ADDRESS INVALID UEPGAA=xxxxxxx TRAN=tran TASK=cicstask.....	415
EZY1263E: mm/dd/yy hh:mm:ss TIE ADDRESS INVALID UEPGAA=xxxxxxx TRAN=tran TASK=cicstask.....	415
EZY1264E: mm/dd/yy hh:mm:ss FLAG WORD ADDRESS INVALID UEPFLAGS= xxxxxxxx ERRNO=errno TRAN=tran TASK=cicstask.....	416
EZY1265E: mm/dd/yy hh:mm:ss CICS VERSION UNSUPPORTED GWACIVRM=xxxx ERRNO=errno TRAN=tran TASK=cicstask.....	416
EZY1267E: mm/dd/yy hh:mm:ss ROUTING TASK FUNCTION INVALID UERTIFD=xx ERRNO=errno TRAN=tran TASK=cicstask.....	417
EZY1268E: mm/dd/yy hh:mm:ss SAVE AREA ADDRESS INVALID UEPHSM= xxxxxxxx ERRNO=errno TRAN=tran TASK=cicstask.....	417
EZY1269E: mm/dd/yy hh:mm:ss PARM LIST ADDRESS INVALID GPR1= xxxxxxxx ERRNO=errno TRAN=tran TASK=cicstask.....	418
EZY1270E: mm/dd/yy hh:mm:ss PARM nn ADDRESS INVALID ADDRESS= xxxxxxxx ERRNO=errno TRAN=tran TASK=cicstask.....	418
EZY1271E: mm/dd/yy hh:mm:ss TOKERR=xxxxxxx ERRNO=errno TRAN=tran TASK=cicstask....	419
EZY1272E: mm/dd/yy hh:mm:ss INVALID SOCKET/FUNCTION CALL FUNCTION= xxxx ERRNO=errno TRAN=tran TASK=cicstask.....	419
EZY1273E: mm/dd/yy hh:mm:ss IUCV SOCK/FUNC TABLE INVALID FUNCTION= xxxx ERRNO=errno TRAN=tran TASK=cicstask.....	420
EZY1274E: mm/dd/yy hh:mm:ss INCORRECT EZASOKET PARM COUNT FUNCTION= xxxx ERRNO=errno TRAN=tran TASK=cicstask.....	420

EZY1275E: mm/dd/yy hh:mm:ss MONITOR CALLS NOT SUPPORTED UERTFID=xx ERRNO=errno TRAN=tran TASK=cicstask.....	421
EZY1276E: mm/dd/yy hh:mm:ss EDF CALLS NOT SUPPORTED UERTFID=xx ERRNO=errno TRAN=tran TASK=cicstask.....	422
EZY1277I: mm/dd/yy hh:mm:ss EZACIC03 DETACHED TCB ADDRESS=xxxxxxx ERRNO=errno TRAN=tran TASK=cicstask.....	422
EZY1278I: mm/dd/yy hh:mm:ss EZACIC03 DETACH SUCCESSFUL TCB ADDRESS= xxxxxxxx TRAN=tran TASK=cicstask.....	423
EZY1279E: mm/dd/yy hh:mm:ss INVALID SYNC PT COMMAND DISP=xx TRAN=tran TASK=cicstask.....	423
EZY1280E: mm/dd/yy hh:mm:ss INVALID RESYNC COMMAND DISP=xx TRAN=tran TASK=cicstask.....	424
EZY1282E: mm/dd/yy hh:mm:ss 10999 ABEND reasonxx.....	424
EZY1285E: mm/dd/yy hh:mm:ss CICS/SOCKETS LISTENER TRANSACTION tran NOT ON CONFIGURATION FILE.....	424
EZY1286E: mm/dd/yy hh:mm:ss READ FAILURE ON CICS/SOCKETS CONFIGURATION FILE TRANSACTION= tran EIBRESP2= rrrrr	425
EZY1287E: mm/dd/yy hh:mm:ss EZYCIC02 GETMAIN FAILURE FOR VARIABLE STORAGE TRANSACTION= tran EIBRESP2=rrrrr.....	425
EZY1288E: mm/dd/yy hh:mm:ss CICS SOCKETS MODULE mmmmmmmm ABEND aaaa	426
EZY1289I: mm/dd/yy hh:mm:ss CICS LISTENER TRANSACTION tran taskno TERMINATING.....	426
EZY1291I: mm/dd/yy hh:mm:ss LISTENER TRANSACTION transactionid TASKID= taskno ACCEPTING REQUESTS VIA® PORT port.....	428
EZY1292E: mm/dd/yy hh:mm:ss CANNOT START LISTENER, TRUE NOT ACTIVE TRANSACTION= tran TASKID= cicstask EIBRCODE BYTE3=rr.....	429
EZY1293E: mm/dd/yy hh:mm:ss INITAPI CALL FAILURE TRANSACTION=tran TASKID= cicstask ERRNO=errno.....	429
EZY1294E: mm/dd/yy hh:mm:ss SOCKET CALL FAILURE TRANSACTION= tran TASKID= cicstask ERRNO= errno.....	430
EZY1295E: mm/dd/yy hh:mm:ss BIND CALL FAILURE TRANSACTION= tran TASKID= cicstask ERRNO= errno.....	430
EZY1296E: mm/dd/yy hh:mm:ss LISTEN CALL FAILURE TRANSACTION= tran TASKID= cicstask ERRNO= errno.....	431
EZY1297E: mm/dd/yy hh:mm:ss GETCLIENTID CALL FAILURE TRANSACTION=tran TASKID= cicstask ERRNO=errno.....	431
EZY1298E: mm/dd/yy hh:mm:ss CLOSE FAILURE TRANID= tran TASKID= cicstask ERRNO= errno.....	432
EZY1299E: mm/dd/yy hh:mm:ss SELECT CALL FAILURE TRANSACTION= tran TASKID= xxxxx ERRNO= errno.....	433
EZY1300E: mm/dd/yy hh:mm:ss RECV FAILURE TRANSID= transactionid TASKID= tasknumber ERRNO= errno INET ADDR=inetaddress PORT=portnumber.....	433
EZY1301E: mm/dd/yy hh:mm:ss CONNECTION CLOSED BY CLIENT TRANSACTION= transactionid PARTNER INET ADDR= ipaddr PORT= port.....	434
EZY1302I: mm/dd/yy hh:mm:ss READ TIMEOUT PARTNER INET ADDR= inetaddress PORT= portnumber LISTENER TRANID= tran_id TASKID= task_id.....	434
EZY1303I: mm/dd/yy hh:mm:ss EZACIC02 GIVESOCKET TIMEOUT TRANS transactionid PARTNER INET ADDR=inetaddress PORT=portnumber.....	435
EZY1306E: mm/dd/yy hh:mm:ss SECURITY EXIT mmmmmmmm IS NOT DEFINED TRANID= tran TASKID=xxxxxxx.....	436
EZY1307E: mm/dd/yy hh:mm:ss MAXIMUM # OF SOCKETS USED TRANS= tran TASKID= cicstask ERRNO= errno.....	437
EZY1308E: mm/dd/yy hh:mm:ss ACCEPT CALL FAILURE TRANSACTION= tran TASKID= cicstask ERRNO= errno.....	437
EZY1309E: mm/dd/yy hh:mm:ss GIVESOCKET FAILURE TRANS transactionid TASKID=tasknumber ERRNO=errno INET ADDR=inetaddress PORT=portnumber.....	438
EZY1310E: mm/dd/yy hh:mm:ss IC VALUE NOT NUMERIC TRANID=transactionid PARTNER INET ADDR=inetaddress PORT=portnumber.....	438

EZY1311E: mm/dd/yy hh:mm:ss CICS TRANID <i>transactionid</i> NOT AUTHORIZED PARTNER INET ADDR= <i>inetaddress</i> PORT= <i>portnumber</i>	439
EZY1312E: mm/dd/yy hh:mm:ss SECURITY EXIT <i>mmmmmmmm</i> CANNOT BE LOADED TRANID= <i>tran</i> TASKID= <i>cicstask</i>	440
EZY1313E: mm/dd/yy hh:mm:ss LISTENER NOT AUTHORIZED TO ACCESS SECURITY EXIT <i>mmmmmmmm</i> TRANID= <i>tran</i> TASKID= <i>xxxxxxx</i>	440
EZY1314E: mm/dd/yy hh:mm:ss SECURITY EXIT <i>mmmmmmmm</i> IS DISABLED TRANID= <i>tran</i> TASKID= <i>xxxxxxx</i>	441
EZY1315E: mm/dd/yy hh:mm:ss INVALID TRANSID <i>transactionid</i> PARTNER INET ADDR= <i>inetaddress</i> PORT= <i>portnumber</i>	441
EZY1316E: mm/dd/yy hh:mm:ss TRANSID <i>transactionid</i> IS DISABLED PARTNER INET ADDR= <i>inetaddress</i> PORT= <i>portnumber</i>	442
EZY1317E: mm/dd/yy hh:mm:ss TRANSID <i>transactionid</i> IS NOT AUTHORIZED PARTNER INET ADDR= <i>inetaddress</i> PORT= <i>portnumber</i>	443
EZY1318E: mm/dd/yy hh:mm:ss TD START SUCCESSFUL QUEUEID= <i>que</i>	443
EZY1319E: mm/dd/yy hh:mm:ss QIDERR FOR TD DESTINATION <i>queuname</i> PARTNER INET ADDR= <i>inetaddress</i> PORT= <i>portnumber</i>	444
EZY1320E: mm/dd/yy hh:mm:ss I/O ERROR FOR TD DESTINATION <i>queuname</i> PARTNER INET ADDR= <i>inetaddress</i> PORT= <i>portnumber</i>	444
EZY1321E: mm/dd/yy hh:mm:ss LENGTH ERROR FOR TD DESTINATION <i>queuname</i> PARTNER INET ADDR= <i>inetaddress</i> PORT= <i>portnumber</i>	445
EZY1322E: mm/dd/yy hh:mm:ss TD DESTINATION <i>queuname</i> DISABLED PARTNER INET ADDR= <i>inetaddress</i> PORT= <i>portnumber</i>	446
EZY1323E: mm/dd/yy hh:mm:ss TD DESTINATION <i>queuname</i> OUT OF SPACE PARTNER INET ADDR= <i>inetaddress</i> PORT= <i>portnumber</i>	446
EZY1324E: mm/dd/yy hh:mm:ss TD START FAILED QUEUE ID= <i>queuname</i> PARTNER INET ADDR= <i>inetaddress</i> PORT= <i>portnumber</i>	447
EZY1325I: mm/dd/yy hh:mm:ss START SUCCESSFUL TRANID= <i>transactionid</i> PARTNER INET ADDR= <i>inetaddress</i> PORT= <i>portnumber</i>	448
EZY1326E: mm/dd/yy hh:mm:ss START I/O ERROR TRANID= <i>transactionid</i> PARTNER INET ADDR= <i>inetaddress</i> PORT= <i>portnumber</i>	448
EZY1327E: mm/dd/yy hh:mm:ss START TRANSACTION ID <i>transactionid</i> INVALID PARTNER INET ADDR= <i>inetaddress</i> PORT= <i>portnumber</i>	449
EZY1328E: mm/dd/yy hh:mm:ss START TRANSACTION ID <i>transactionid</i> NOT AUTHORIZED PARTNER INET ADDR= <i>inetaddress</i> PORT= <i>portnumber</i>	449
EZY1329E: mm/dd/yy hh:mm:ss START FAILED (99) TRANSID= <i>transactionid</i> PARTNER INET ADDR= <i>inetaddress</i> PORT= <i>portnumber</i>	450
EZY1330E: mm/dd/yy hh:mm:ss IC START SUCCESSFUL TRANID= <i>transactionid</i> PARTNER INET ADDR= <i>inetaddress</i> PORT= <i>portnumber</i>	451
EZY1331E: mm/dd/yy hh:mm:ss IC START I/O ERROR TRANID= <i>transactionid</i> PARTNER INET ADDR= <i>inetaddress</i> PORT= <i>portnumber</i>	451
EZY1332E: mm/dd/yy hh:mm:ss IC START INVALID REQUEST TRANID= <i>transactionid</i> PARTNER INET ADDR= <i>inetaddress</i> PORT= <i>portnumber</i>	452
EZY1333E: mm/dd/yy hh:mm:ss IC START FAILED TRANID= <i>transactionid</i> PARTNER INET ADDR= <i>inetaddress</i> PORT= <i>portnumber</i>	453
EZY1334E: mm/dd/yy hh:mm:ss INVALID USER TRANID= <i>transactionid</i> PARTNER INET ADDR = <i>inetaddress</i> PORT = <i>portnumber</i> USERID = <i>userid</i>	453
EZY1335E: mm/dd/yy hh:mm:ss WRITE FAILED ERRNO= <i>errno</i> TRANID= <i>transactionid</i> . PARTNER INET ADDR= <i>inetaddress</i> PORT= <i>portnumber</i>	454
EZY1336E: mm/dd/yy hh:mm:ss TAKESOCKET FAILURE TRANS <i>transactionid</i> TASKID= <i>tasknumber</i> ERRNO= <i>errno</i> INET ADDR= <i>inetaddress</i> PORT= <i>portnumber</i>	455
EZY1337E: mm/dd/yy hh:mm:ss CICS IN QUIESCE, LISTENER TERMINATING TRANSID= <i>tran</i> TASKID= <i>cicstask</i>	455
EZY1338E: mm/dd/yy hh:mm:ss PROGRAM <i>programname</i> NOT FOUND TRANID= <i>transactionid</i> PARTNER INET ADDR= <i>inetaddress</i> PORT= <i>portnumber</i>	456
EZY1339E: mm/dd/yy hh:mm:ss EXIT PROGRAM (EZACIC01) IS NOT ENABLED. DISABLE IGNORED TERM= <i>term</i> TRAN= <i>tranxxx</i>	456

EZY1340E: <i>mm/dd/yy hh:mm:ss</i> API ALREADY QUIESCING DUE TO PREVIOUS REQ. EZAO IGNORED TERM= <i>term</i> TRAN= <i>tranxxx</i>	457
EZY1341E: <i>mm/dd/yy hh:mm:ss</i> API ALREADY IN IMMED MODE DUE TO PREV. REQ. EZAO IGNORED TERM= <i>term</i> TRAN= <i>tranxxx</i>	457
EZY1342I: <i>mm/dd/yy hh:mm:ss</i> DISABLE DELAYED UNTIL ALL USING TASKS COMPLETE TERM= <i>termid</i> TRAN= <i>transid</i>	458
EZY1343I: <i>mm/dd/yy hh:mm:ss</i> CICS/SOCKETS INTERFACE IMMEDIATELY DISABLED TERM= <i>term</i> TRAN= <i>tranxxx</i>	459
EZY1344I: <i>mm/dd/yy hh:mm:ss</i> CICS/SOCKETS INTERFACE QUIESCENTLY DISABLED TERM= <i>term</i> TRAN= <i>tranxxx</i>	460
EZY1347I: <i>mm/dd/yy hh:mm:ss</i> PROGRAM <i>programname</i> ASSUMED TO BE AUTOINSTALLED TRANID= <i>transactionid</i> IP ADDR= <i>inetaddress</i> PORT= <i>portnumber</i>	461
EZY1348E: <i>mm/dd/yy hh:mm:ss</i> INVALID SOCKET FUNCTION <i>function</i> ERRNO <i>errno</i> TRAN <i>tranid</i> TASK <i>taskid</i>	462
EZY1349E: <i>mm/dd/yy hh:mm:ss</i> UNABLE TO OPEN CONFIGURATION FILE TRANSACTION= <i>transactionid</i> EIBRESP2= <i>eibresp2</i>	462
EZY1350E: <i>mm/dd/yy hh:mm:ss</i> NOT AUTHORIZED TO USE <i>api_function</i> , <i>action</i> IGNORED. TERM= <i>termid</i> TRAN= <i>transid</i>	463
EZY1351E: <i>mm/dd/yy hh:mm:ss</i> EXIT PROGRAM (EZACIC01) IS NOT ENABLED, <i>action</i> IGNORED. TERM= <i>termid</i> TRAN= <i>transid</i>	464
EZY1352E: <i>mm/dd/yy hh:mm:ss</i> SUBTASK ENDED UNEXPECTEDLY TRANSACTION= <i>transactionid</i> TASKID= <i>taskid</i>	465
EZY1353E: <i>mm/dd/yy hh:mm:ss</i> COMMA MISSING AFTER IC TRANS ID = <i>transactionid</i> PARTNER IP ADDR = <i>inetaddress</i> PORT = <i>portnumber</i>	465
EZY1354I: <i>mm/dd/yy hh:mm:ss</i> CICS/SOCKETS CICS TRACING IS <i>status</i>	466
EZY1355I: <i>mm/dd/yy hh:mm:ss</i> CICS/SOCKETS TCBLIM EXCEEDS MAXOPENTCBS.....	467
EZY1356E: <i>mm/dd/yy hh:mm:ss</i> CICS/SOCKETS TCBLIM HAS BEEN REACHED.....	468
EZY1357I: <i>mm/dd/yy hh:mm:ss</i> TRANSIENT DATA QUEUE SPECIFIED ON ERROR TD IS NOT DEFINED TO CICS.....	469
EZY1358E: 10999 ABEND - IP CICS SOCKETS USING OTE.....	469
EZY1359I: <i>mm/dd/yy hh:mm:ss</i> CICS/SOCKETS APPLICATIONS WILL USE THE QR TCB.....	470
EZY1360I: <i>mm/dd/yy hh:mm:ss</i> CICS/SOCKETS TCBLIM CONDITION HAS BEEN RELIEVED.....	471
EZY1361E: <i>mm/dd/yy hh:mm:ss</i> CICS/TS OPEN TRANSACTION ENVIRONMENT SUPPORT IS NOT AVAILABLE.....	471
EZY1362E: <i>mm/dd/yy hh:mm:ss</i> CICS/SOCKETS START OF LISTENER <i>transactionid</i> FAILED RESP1= <i>resp1</i> RESP2= <i>resp2</i>	472
EZY1363I: <i>mm/dd/yy hh:mm:ss</i> LISTENER <i>transactionid</i> <i>taskno</i> HAD <i>threads</i> THREADS ACTIVE WHEN STACK <i>tcpname</i> ENDED.....	473
EZY1364I: <i>mm/dd/yy hh:mm:ss</i> LISTENER <i>transactionid</i> DETECTED THAT TTLS IS <i>status</i> ON STACK <i>tcpname</i>	474
EZY1365E: <i>mm/dd/yy hh:mm:ss</i> LISTENER <i>transactionid</i> <i>taskno</i> IS NOT ACCEPTING REQUESTS ON PORT <i>port</i>	475
EZY1366E: <i>mm/dd/yy hh:mm:ss</i> CICS/SOCKETS LISTENER TRANSACTION <i>tranid</i> IS ALREADY ACTIVE.....	477
EZY1367I: <i>mm/dd/yy hh:mm:ss</i> SOCK# IP ADDRESS PORT CHILD.....	477
EZY1368I: <i>mm/dd/yy hh:mm:ss</i> sock# <i>ipaddr</i> <i>port</i> <i>tran</i>	478
EZY1369E: <i>mm/dd/yy hh:mm:ss</i> LISTENER <i>transactionid</i> <i>taskno</i> IS DELAYED, STACK <i>tcpname</i> IS UNAVAILABLE.....	480
EZY1370I: <i>mm/dd/yy hh:mm:ss</i> LISTENER <i>transactionid</i> NUMSOCK <i>numsock</i> IS EQUAL TO OR GREATER THAN MAXFILEPROC <i>maxfileproc</i>	481
EZY1371E: <i>mm/dd/yy hh:mm:ss</i> AUTOMATIC APPLDATA REGISTRATION FAILED FOR TRANSACTION= <i>transactionid</i> TASKNO= <i>taskno</i> ERRNO= <i>errno</i>	482
Appendix E. Sample programs.....	485
EZACICSC.....	485
EZACICSS.....	491
EZACIC6C.....	507

EZACIC6S.....	516
EZACICAC	535
EZACICAS	541
SELECTEX.....	554
Appendix F. Related protocol specifications.....	559
Appendix G. Accessibility.....	579
Notices.....	583
Terms and conditions for product documentation.....	584
IBM Online Privacy Statement.....	585
Policy for unsupported hardware.....	585
Minimum supported hardware.....	585
Policy for unsupported hardware.....	586
Trademarks.....	586
Bibliography.....	587
Index.....	591
Communicating your comments to IBM.....	599

Figures

1. The use of CICS sockets.....	1
2. TCP/IP protocols compared to the OSI model and SNA.....	2
3. A typical client-server session.....	8
4. An iterative server.....	9
5. A concurrent server.....	9
6. The SELECT call.....	13
7. How user applications access TCP/IP networks with CICS TCP/IP (run-time environment).....	18
8. JCL for CICS startup with the TCP/IP socket interface (part 1 of 2).....	22
9. JCL for CICS startup with the TCP/IP socket interface (part 2 of 2).....	23
10. EZAC, transaction to configure the socket interface.....	25
11. EZAO, transaction to enable the socket interface.....	25
12. EZAP, transaction to disable the socket interface.....	25
13. CSKL, Listener task transaction.....	25
14. EZACIC00, connection manager program.....	27
15. EZACIC01, task related user exit program.....	27
16. EZACIC02, listener program.....	27
17. EZACIC20, front-end module for CICS sockets.....	27
18. EZACIC21, initialization module for CICS sockets.....	27
19. EZACIC22, termination module for CICS sockets.....	27
20. EZACIC23, primary module for transaction EZAC.....	28
21. EZACIC24, message delivery module for CICS sockets.....	28
22. EZACIC25, domain name server cache module.....	28
23. EZACICM, maps used by the EZAO transaction.....	28

24. EZACICME, U.S. English text delivery module.....	28
25. EZACICSC, sample IPv4 child server transaction and program definitions.....	29
26. EZACICSS, sample iterative IPv4 server transaction and program definitions.....	29
27. EZACIC6C, sample IPv6 child server transaction and program definitions.....	29
28. EZACIC6S, sample iterative IPv6 server transaction and program definitions.....	30
29. EZACICAC, sample assembler child server transaction and program definitions.....	30
30. EZACICAS, sample assembler server transaction and program definitions.....	30
31. ALTER PROGRAM instructions.....	31
32. DFHCSDUP commands to define EZACONFG.....	32
33. DFHCSDUP commands to define EZACACHE.....	33
34. CICS TCP/IP Transient Data Queue definitions	33
35. The Monitor Control Table (MCT) for TRUE.....	34
36. The Monitor Control Table (MCT) for listener.....	37
37. EZASOKET threadsafe transaction.....	39
38. Definition of the hlq.TCP/IP profile.....	43
39. The TCPIPJOBNAME parameter in the hlq.TCPIP.DATA data set.....	44
40. EZACICFG configuration file.....	44
41. CICSVSAM JCL to define a configuration file.....	55
42. EZAC initial screen.....	58
43. EZAC,ALTER screen.....	59
44. EZAC,ALTER,CICS screen.....	59
45. EZAC,ALTER,CICS detail screen.....	60
46. EZAC,ALTER,LISTENER screen.....	60
47. EZAC,ALTER,LISTENER detail screen 1- Standard listener.....	61
48. EZAC,ALTER,LISTENER detail screen 2: Standard listener.....	61

49. EZAC,ALTER,LISTENER detail screen 1- Enhanced listener.....	62
50. EZAC,ALTER,LISTENER detail screen 2: Enhanced listener.....	62
51. EZAC,CONVERT,LISTENER screen.....	63
52. EZAC,CONVERT,LISTENER detail screen 1- Standard listener.....	63
53. EZAC,CONVERT,LISTENER detail screen 2: Standard listener.....	64
54. EZAC,CONVERT,LISTENER detail screen 1- Enhanced listener.....	64
55. EZAC,CONVERT,LISTENER detail screen 2: Enhanced listener.....	65
56. EZAC,COPY screen.....	65
57. EZAC,COPY,CICS screen.....	66
58. EZAC,COPY,LISTENER screen.....	66
59. EZAC,DEFINE screen.....	67
60. EZAC,DEFINE,CICS screen.....	67
61. EZAC,DEFINE,CICS detail screen.....	68
62. EZAC,DEFINE,LISTENER screen.....	68
63. EZAC,DEFINE,LISTENER detail screen 1- Standard listener.....	69
64. EZAC,DEFINE,LISTENER detail screen 2: Standard listener.....	69
65. EZAC,DEFINE,LISTENER detail screen 1- Enhanced listener.....	70
66. EZAC,DEFINE,LISTENER detail screen 2: Enhanced listener.....	70
67. EZAC,DELETE screen.....	71
68. EZAC,DELETE,CICS screen.....	71
69. EZAC,DELETE,LISTENER screen.....	72
70. EZAC,DISPLAY screen.....	72
71. EZAC,DISPLAY,CICS screen.....	73
72. EZAC,DISPLAY,CICS detail screen.....	73
73. EZAC,DISPLAY,LISTENER screen.....	74

74. EZAC,DISPLAY,LISTENER detail screen 1- Standard listener.....	74
75. EZAC,DISPLAY,LISTENER detail screen 2: Standard listener.....	75
76. EZAC,DISPLAY,LISTENER detail screen 1- Enhanced listener.....	75
77. EZAC,DISPLAY,LISTENER detail screen 2: Enhanced listener.....	76
78. EZAC,RENAME screen.....	76
79. EZAC,RENAME,CICS screen.....	77
80. EZAC,RENAME,LISTENER screen.....	77
81. Example of defining and initializing a DNS cache file.....	82
82. The DNS HOSTENT.....	86
83. EZAO initial screen.....	88
84. EZAO INQUIRE screen.....	89
85. EZAO INQUIRE CICS screen.....	89
86. EZAO INQUIRE LISTENER selection screen.....	90
87. EZAO INQUIRE LISTENER screen.....	90
88. EZAO SET screen.....	91
89. EZAO SET CICS screen.....	91
90. EZAO SET LISTENER selection screen.....	91
91. EZAO SET LISTENER screen.....	92
92. EZAO START screen.....	93
93. EZAO START CICS response screen.....	93
94. EZAO START LISTENER screen.....	94
95. EZAO START LISTENER result screen.....	94
96. EZAO START TRACE screen.....	95
97. EZAO STOP screen.....	95
98. EZAO STOP CICS screen.....	96

99. EZA0 STOP LISTENER screen.....	97
100. EZA0 STOP TRACE screen.....	97
101. Program Definition for listener EZACIC02.....	101
102. The sequence of sockets calls.....	107
103. Sequence of socket calls with an iterative server.....	110
104. Sequence of socket calls between a CICS client and a remote iterative server.....	111
105. MVS address spaces.....	113
106. Transfer of CLIENTID information.....	115
107. Example of COBOL layout of the listener output format - Standard listener.....	120
108. Example of PL/I layout of the listener output format - Standard listener with an IPv4 socket address structure.....	120
109. Example of PL/I layout of the listener output format - Standard listener with an IPv6 socket address structure.....	120
110. Example of Assembler layout of the listener output format - Standard listener supporting both an IPv4 and an IPv6 socket address structure.....	121
111. Example of C structure of the listener output format - Standard listener supporting both an IPv4 and an IPv6 socket address structure.....	121
112. Example of COBOL layout of the listener output format - Enhanced listener.....	123
113. Example of PL/I layout of the listener output format - Enhanced listener with an IPv4 socket address structure.....	123
114. Example of PL/I layout of the listener output format - Enhanced listener with an IPv6 socket address structure.....	123
115. Example of assembler layout of the listener output format - Enhanced listener supporting both an IPv4 and an IPv6 socket address structure.....	124
116. Example of C structure of the listener output format - Enhanced listener supporting both an IPv4 and an IPv6 socket address structure.....	124
117. Storage definition statement examples.....	206
118. ACCEPT call instructions example.....	207
119. BIND call instruction example.....	209
120. BIND2ADDRSEL call instructions example.....	212

121. CLOSE call instruction example.....	214
122. CONNECT call instruction example.....	215
123. FCNTL call instruction example.....	217
124. FREEADDRINFO call instruction example.....	219
125. GETADDRINFO call instruction example.....	221
126. GETCLIENTID call instruction example.....	227
127. GETHOSTBYADDR call instruction example.....	229
128. HOSTENT structure returned by the GETHOSTBYADDR call.....	230
129. GETHOSTBYNAME call instruction example.....	231
130. HOSTENT structure returned by the GETHOSTBYNAME call.....	232
131. GETHOSTID call instruction example.....	233
132. GETHOSTNAME call instruction example.....	234
133. GETNAMEINFO call instruction example.....	236
134. GETPEERNAME call instruction example.....	239
135. GETSOCKNAME call instruction example.....	241
136. GETSOCKOPT call instruction example.....	243
137. GIVESOCKET call instruction example.....	259
138. INET6_IS_SRCADDR call instruction example.....	261
139. INITAPI call instruction example.....	264
140. IOCTL call instruction example.....	266
141. COBOL language example for SIOCGHOMEIF6.....	267
142. COBOL language example for SIOCGIFNAMEINDEX.....	269
143. COBOL II example for SIOCGIFCONF.....	275
144. LISTEN call instruction example.....	276
145. NTOP call instruction example.....	277

146. PTON call instruction example.....	279
147. READ call instruction example.....	281
148. READV call instruction example.....	282
149. RECV call instruction example.....	284
150. RECVFROM call instruction example.....	286
151. RECVMSG call instruction example (Part 1 of 2).....	288
152. RECVMSG call instruction example (Part 2 of 2).....	289
153. SELECT call instruction example.....	294
154. SELECTEX call instruction example.....	297
155. SEND call instruction example.....	302
156. SENDMSG call instruction example.....	303
157. SENDTO call instruction example.....	307
158. SETSOCKOPT call instruction example.....	309
159. SHUTDOWN call instruction example.....	326
160. SOCKET call instruction example.....	328
161. TAKESOCKET call instruction example.....	329
162. TERMAPI call instruction example.....	331
163. WRITE call instruction example.....	332
164. WRITEV call instruction example.....	333
165. EZACIC04 EBCDIC-to-ASCII table.....	337
166. EZACIC04 call instruction example.....	337
167. EZACIC05 ASCII-to-EBCDIC.....	338
168. EZACIC05 call instruction example.....	338
169. EZACIC06 call instruction example.....	339
170. EAZIC08 call instruction example.....	341

171. EZACIC09 call instruction example (Part 1 of 2).....	343
172. EZACIC09 call instruction example (Part 2 of 2).....	344
173. EZACIC14 EBCDIC-to-ASCII table.....	346
174. EZACIC14 call instruction example.....	346
175. EZACIC15 ASCII-to-EBCDIC table.....	347
176. EZACIC15 call instruction example.....	347
177. Modified JCL for COBOL compilation.....	349
178. EZACICSC IPv4 child server sample.....	485
179. EZACICSS IPv4 iterative server sample.....	491
180. EZACIC6C IPv6 child server sample.....	507
181. EZACIC6S IPv6 iterative server sample.....	516
182. EZACICAC assembler child server sample.....	535
183. EZACICAS assembler iterative server sample.....	542

Tables

1. First fullword passed in a bit string in select.....	14
2. Second fullword passed in a bit string in select.....	15
3. Security/Transaction Exit program information fields.....	19
4. Available parameters and values to the CICS Explorer	19
5. Configuration options affected by OTE.....	48
6. Listener's action based on RTYTIME and stack state.....	53
7. Conditions for translation of tranid and user data.....	54
8. Functions supported by the EZAC transaction.....	58
9. Calls for the client application.....	107
10. Calls for the server application.....	108
11. Calls for the concurrent server application.....	109
12. CLIENTID structures.....	114
13. Listener configuration presented to security or transaction exit.....	116
14. Listener output format - Standard listener.....	118
15. Listener output format - Enhanced listener.....	121
16. security or transaction exit data.....	125
17. Different concurrency attributes for IP CICS sockets task-related user exits.....	130
18. Inbound AT-TLS support.....	134
19. Outbound AT-TLS support.....	135
20. C structures.....	139
21. OPTNAME options for GETSOCKOPT and SETSOCKOPT.....	244
22. IOCTL call arguments.....	272
23. OPTNAME options for GETSOCKOPT and SETSOCKOPT.....	310

24. Effect of SHUTDOWN socket call.....	325
25. Sockets ERRNOs.....	381
26. Sockets extended ERRNOs.....	392
27. GETSOCKOPT/SETSOCKOPT command values for Macro, Assembler, COBOL and PL/I.....	397
28. GETSOCKOPT/SETSOCKOPT optname value for C programs.....	398

About this document

This document describes the TCP/IP Socket Interface for CICS® (referred to as CICS TCP/IP for short). It contains an introduction, a guide to initialization, and a guide and reference to writing application programs. Use this document to set up CICS TCP/IP, write application programs, and diagnose problems. The information in this document supports both IPv6 and IPv4. Unless explicitly noted, information describes IPv4 networking protocol. IPv6 support is qualified within the text.

The information in this document includes descriptions of support for both IPv4 and IPv6 networking protocols. Unless explicitly noted, descriptions of IP protocol support concern IPv4. IPv6 support is qualified within the text.

This document refers to Communications Server data sets by their default SMP/E distribution library name. Your installation might, however, have different names for these data sets where allowed by SMP/E, your installation personnel, or administration staff. For instance, this document refers to samples in SEZAINST library as simply in SEZAINST. Your installation might choose a data set name of SYS1.SEZAINST, CS390.SEZAINST or other high level qualifiers for the data set name.

Who should read this document

This document is intended for both system programmers and application programmers who perform any of the following tasks with CICS TCP/IP:

- Setting up CICS TCP/IP
- Writing application programs
- Diagnosing problems

The document assumes that the reader is familiar with the MVS™ operating system, and the C, COBOL, PL/I, or Assembler programming languages. Because the CICS Transaction Server (CICS TS) is a prerequisite for CICS TCP/IP, the document assumes the reader is also familiar with CICS TS.

How this document is organized

This document contains the following topics:

- [Chapter 1, “Introduction to CICS TCP/IP,”](#) on page 1 provides an overview of CICS TCP/IP.
- [Chapter 2, “Setting up and configuring CICS TCP/IP,”](#) on page 21 describes the steps required to configure CICS TCP/IP.
- [Chapter 3, “Configuring the CICS Domain Name Server cache,”](#) on page 79 describes how to configure the CICS domain name server cache.
- [Chapter 4, “Managing IP CICS sockets,”](#) on page 87 explains how to start and stop (enable and disable) CICS TCP/IP.
- [Chapter 5, “Writing your own listener,”](#) on page 101 discusses writing your own listener.
- [Chapter 6, “Writing applications that use the IP CICS sockets API,”](#) on page 105 describes how to write applications that use the sockets application programming interface (API). It describes typical sequences of calls for client, concurrent server (with associated child server processes), and iterative server programs.
- [Chapter 7, “C language application programming,”](#) on page 137 describes the C language API provided by CICS TCP/IP.
- [Chapter 8, “Sockets extended API,”](#) on page 203 describes the sockets extended API.
- [Appendix A, “Original COBOL application programming interface \(EZACICAL\),”](#) on page 349 describes the EZACICAL API.

- Appendix B, “Return codes,” on page 381 describes system-wide message numbers and codes set by the system calls.
- Appendix C, “GETSOCKOPT/SETSOCKOPT command values,” on page 397 provides the decimal or hexadecimal values associated with the GETSOCKOPT/SETSOCKOPT OPTNAMES supported by the APIs discussed in this information.
- Appendix D, “CICS sockets messages,” on page 401 contains CICS socket interface messages.
- Appendix E, “Sample programs,” on page 485 contains samples of the following programs:
 - EZACICSC - An IPv4 child server
 - EZACICSS - An IPv4 iterative server
 - EZACIC6C - An IPv6 child server
 - EZACIC6S - An IPv6 iterative server
 - EZACICAC - An assembler child server
 - EZACICAS - An assembler iterative server
- Appendix F, “Related protocol specifications,” on page 559 lists the related protocol specifications for TCP/IP.
- Appendix G, “Accessibility,” on page 579 contains information about features that help a user who has a physical disability, such as restricted mobility or limited vision, to use software products successfully.
- “Bibliography” on page 587 contains descriptions of the information in the z/OS Communications Server library.

How to use this document

To use this document, you should be familiar with z/OS TCP/IP Services and the TCP/IP suite of protocols.

How to contact IBM service

For immediate assistance, visit this website: <https://www.ibm.com/mysupport>

Most problems can be resolved at this website, where you can submit questions and problem reports electronically, and access a variety of diagnosis information.

For telephone assistance in problem diagnosis and resolution (in the United States or Puerto Rico), call the IBM Software Support Center anytime (1-800-IBM®-SERV). You will receive a return call within 8 business hours (Monday – Friday, 8:00 a.m. – 5:00 p.m., local customer time).

Outside the United States or Puerto Rico, contact your local IBM representative or your authorized IBM supplier.

If you would like to provide feedback on this publication, see “[Communicating your comments to IBM](#)” on page 599.

Conventions and terminology that are used in this information

Commands in this information that can be used in both TSO and z/OS UNIX environments use the following conventions:

- When describing how to use the command in a TSO environment, the command is presented in uppercase (for example, NETSTAT).
- When describing how to use the command in a z/OS UNIX environment, the command is presented in bold lowercase (for example, **netstat**).
- When referring to the command in a general way in text, the command is presented with an initial capital letter (for example, Netstat).

All the exit routines described in this information are *installation-wide exit routines*. The installation-wide exit routines also called installation-wide exits, exit routines, and exits throughout this information.

The TPF logon manager, although included with VTAM®, is an application program; therefore, the logon manager is documented separately from VTAM.

Samples used in this information might not be updated for each release. Evaluate a sample carefully before applying it to your system.

z/OS no longer supports mounting HFS data sets (The POSIX style file system). Instead, a z/OS File System (ZFS) can be implemented. The term hierarchical file system, abbreviated as HFS, is defined as a data structure that has a hierarchical nature with directories and files. References to hierarchical file systems or HFS might still be in use in z/OS Communications Server publications.

Note: In this information, you might see the following Shared Memory Communications over Remote Direct Memory Access (SMC-R) terminology:

- RoCE Express®, which is a generic term representing IBM 10 GbE RoCE Express, IBM 10 GbE RoCE Express2, and IBM 25 GbE RoCE Express2 feature capabilities. When this term is used in this information, the processing being described applies to all of these features. If processing is applicable to only one feature, the full terminology, for instance, IBM 10 GbE RoCE Express will be used.
- RoCE Express2, which is a generic term representing an IBM RoCE Express2® feature that might operate in either 10 GbE or 25 GbE link speed. When this term is used in this information, the processing being described applies to either link speed. If processing is applicable to only one link speed, the full terminology, for instance, IBM 25 GbE RoCE Express2 will be used.
- RDMA network interface card (RNIC), which is used to refer to the IBM 10 GbE RoCE Express, IBM® 10 GbE RoCE Express2, or IBM 25 GbE RoCE Express2 feature.
- Shared RoCE environment, which means that the "RoCE Express" feature can be used concurrently, or shared, by multiple operating system instances. The feature is considered to operate in a shared RoCE environment even if you use it with a single operating system instance.

Clarification of notes

Information traditionally qualified as Notes is further qualified as follows:

Attention

Indicate the possibility of damage

Guideline

Customary way to perform a procedure

Note

Supplemental detail

Rule

Something you must do; limitations on your actions

Restriction

Indicates certain conditions are not supported; limitations on a product or facility

Requirement

Dependencies, prerequisites

Result

Indicates the outcome

Tip

Offers shortcuts or alternative ways of performing an action; a hint

How to read a syntax diagram

This syntax information applies to all commands and statements that do not have their own syntax described elsewhere.

The syntax diagram shows you how to specify a command so that the operating system can correctly interpret what you type. Read the syntax diagram from left to right and from top to bottom, following the horizontal line (the main path).

Symbols and punctuation

The following symbols are used in syntax diagrams:

Symbol

Description

- ▶▶ Marks the beginning of the command syntax.
- ▶ Indicates that the command syntax is continued.
- | Marks the beginning and end of a fragment or part of the command syntax.
- ▶◀ Marks the end of the command syntax.

You must include all punctuation such as colons, semicolons, commas, quotation marks, and minus signs that are shown in the syntax diagram.

Commands

Commands that can be used in both TSO and z/OS UNIX environments use the following conventions in syntax diagrams:

- When describing how to use the command in a TSO environment, the command is presented in uppercase (for example, NETSTAT).
- When describing how to use the command in a z/OS UNIX environment, the command is presented in bold lowercase (for example, netstat).

Parameters

The following types of parameters are used in syntax diagrams.

Required

Required parameters are displayed on the main path.

Optional

Optional parameters are displayed below the main path.

Default

Default parameters are displayed above the main path.

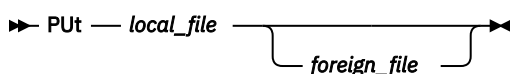
Parameters are classified as keywords or variables. For the TSO and MVS console commands, the keywords are not case sensitive. You can code them in uppercase or lowercase. If the keyword appears in the syntax diagram in both uppercase and lowercase, the uppercase portion is the abbreviation for the keyword (for example, OPERand).

For the z/OS UNIX commands, the keywords must be entered in the case indicated in the syntax diagram.

Variables are italicized, appear in lowercase letters, and represent names or values you supply. For example, a data set is a variable.

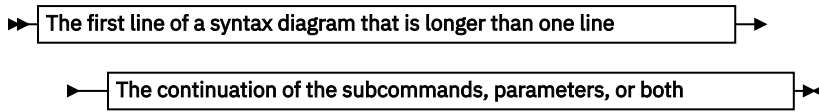
Syntax examples

In the following example, the PUt subcommand is a keyword. The required variable parameter is *local_file*, and the optional variable parameter is *foreign_file*. Replace the variable parameters with your own values.



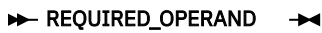
Longer than one line

If a diagram is longer than one line, the first line ends with a single arrowhead and the second line begins with a single arrowhead.



Required operands

Required operands and values appear on the main path line. You must code required operands and values.



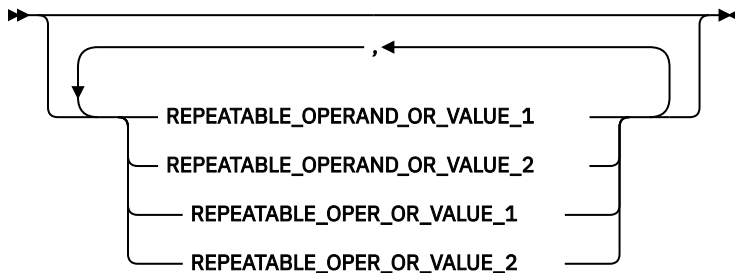
Optional values

Optional operands and values appear below the main path line. You do not have to code optional operands and values.



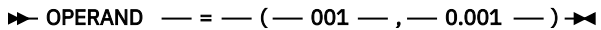
Selecting more than one operand

An arrow returning to the left above a group of operands or values means more than one can be selected, or a single one can be repeated.



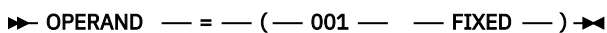
Nonalphanumeric characters

If a diagram shows a character that is not alphanumeric (such as parentheses, periods, commas, and equal signs), you must code the character as part of the syntax. In this example, you must code OPERAND=(001,0.001).



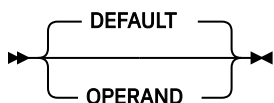
Blank spaces in syntax diagrams

If a diagram shows a blank space, you must code the blank space as part of the syntax. In this example, you must code OPERAND=(001 FIXED).



Default operands

Default operands and values appear above the main path line. TCP/IP uses the default if you omit the operand entirely.



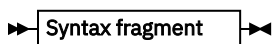
Variables

A word in all lowercase italics is a *variable*. Where you see a variable in the syntax, you must replace it with one of its allowable names or values, as defined in the text.

▶▶ *variable* ◀◀

Syntax fragments

Some diagrams contain syntax fragments, which serve to break up diagrams that are too long, too complex, or too repetitious. Syntax fragment names are in mixed case and are shown in the diagram and in the heading of the fragment. The fragment is placed below the main diagram.



Syntax fragment

▶▶ 1ST_OPERAND — , — 2ND_OPERAND — , — 3RD_OPERAND ◀◀

Prerequisite and related information

z/OS Communications Server function is described in the z/OS Communications Server library. Descriptions of those documents are listed in “Bibliography” on page 587, in the back of this document.

Required information

Before using this product, you should be familiar with TCP/IP, VTAM, MVS, and UNIX System Services.

Softcopy information

Softcopy publications are available in the following collection.

Titles	Description
<i>IBM Z Redbooks</i>	The IBM Z [®] subject areas range from e-business application development and enablement to hardware, networking, Linux [®] , solutions, security, parallel sysplex, and many others. For more information about the Redbooks [®] publications, see http://www.redbooks.ibm.com/ and http://www.ibm.com/systems/z/os/zos/zfavorites/ .

Other documents

This information explains how z/OS references information in other documents.

When possible, this information uses cross-document links that go directly to the topic in reference using shortened versions of the document title. For complete titles and order numbers of the documents for all products that are part of z/OS, see [z/OS Information Roadmap \(SA23-2299\)](#). The Roadmap describes

what level of documents are supplied with each release of z/OS Communications Server, and also describes each z/OS publication.

To find the complete z/OS library, visit the [z/OS library in IBM Documentation](https://www.ibm.com/docs/en/zos) (<https://www.ibm.com/docs/en/zos>).

Relevant RFCs are listed in an appendix of the IP documents. Architectural specifications for the SNA protocol are listed in an appendix of the SNA documents.

The following table lists documents that might be helpful to readers.

Title	Number
<i>DNS and BIND</i> , Fifth Edition, O'Reilly Media, 2006	ISBN 13: 978-0596100575
<i>Routing in the Internet</i> , Second Edition, Christian Huitema (Prentice Hall 1999)	ISBN 13: 978-0130226471
<i>sendmail</i> , Fourth Edition, Bryan Costales, Claus Assmann, George Jansen, and Gregory Shapiro, O'Reilly Media, 2007	ISBN 13: 978-0596510299
<i>SNA Formats</i>	GA27-3136
<i>TCP/IP Illustrated, Volume 1: The Protocols</i> , W. Richard Stevens, Addison-Wesley Professional, 1994	ISBN 13: 978-0201633467
<i>TCP/IP Illustrated, Volume 2: The Implementation</i> , Gary R. Wright and W. Richard Stevens, Addison-Wesley Professional, 1995	ISBN 13: 978-0201633542
<i>TCP/IP Illustrated, Volume 3: TCP for Transactions, HTTP, NNTP, and the UNIX Domain Protocols</i> , W. Richard Stevens, Addison-Wesley Professional, 1996	ISBN 13: 978-0201634952
<i>TCP/IP Tutorial and Technical Overview</i>	GG24-3376
<i>Understanding LDAP</i>	SG24-4986
z/OS Cryptographic Services System SSL Programming	SC14-7495
z/OS IBM Tivoli Directory Server Administration and Use for z/OS	SC23-6788
z/OS JES2 Initialization and Tuning Guide	SA32-0991
z/OS Problem Management	SC23-6844
z/OS MVS Diagnosis: Reference	GA32-0904
z/OS MVS Diagnosis: Tools and Service Aids	GA32-0905
z/OS MVS Using the Subsystem Interface	SA38-0679
z/OS Program Directory	GI11-9848
z/OS UNIX System Services Command Reference	SA23-2280
z/OS UNIX System Services Planning	GA32-0884
z/OS UNIX System Services Programming: Assembler Callable Services Reference	SA23-2281
z/OS UNIX System Services User's Guide	SA23-2279
z/OS XL C/C++ Runtime Library Reference	SC14-7314
Open Systems Adapter-Express Customer's Guide and Reference	SA22-7935

Redbooks publications

The following Redbooks publications might help you as you implement z/OS Communications Server.

Title	Number
<i>IBM z/OS Communications Server TCP/IP Implementation, Volume 1: Base Functions, Connectivity, and Routing</i>	SG24-8096
<i>IBM z/OS Communications Server TCP/IP Implementation, Volume 2: Standard Applications</i>	SG24-8097
<i>IBM z/OS Communications Server TCP/IP Implementation, Volume 3: High Availability, Scalability, and Performance</i>	SG24-8098
<i>IBM z/OS Communications Server TCP/IP Implementation, Volume 4: Security and Policy-Based Networking</i>	SG24-8099
<i>IBM Communication Controller Migration Guide</i>	SG24-6298
<i>IP Network Design Guide</i>	SG24-2580
<i>Managing OS/390 TCP/IP with SNMP</i>	SG24-5866
<i>Migrating Subarea Networks to an IP Infrastructure Using Enterprise Extender</i>	SG24-5957
<i>SecureWay Communications Server for OS/390 V2R8 TCP/IP: Guide to Enhancements</i>	SG24-5631
<i>SNA and TCP/IP Integration</i>	SG24-5291
<i>TCP/IP in a Sysplex</i>	SG24-5235
<i>TCP/IP Tutorial and Technical Overview</i>	GG24-3376
<i>Threadsafe Considerations for CICS</i>	SG24-6351

Where to find related information on the Internet

z/OS

This site provides information about z/OS Communications Server release availability, migration information, downloads, and links to information about z/OS technology

<http://www.ibm.com/systems/z/os/zos/>

z/OS Internet Library

Use this site to view and download z/OS Communications Server documentation

<http://www.ibm.com/systems/z/os/zos/library/bkserv/>

z/OS Communications Server product

The page contains z/OS Communications Server product introduction

<https://www.ibm.com/products/zos-communications-server>

IBM Communications Server product support

Use this site to submit and track problems and search the z/OS Communications Server knowledge base for Technotes, FAQs, white papers, and other z/OS Communications Server information

<https://www.ibm.com/mysupport>

IBM Communications Server performance information

This site contains links to the most recent Communications Server performance reports

<http://www.ibm.com/support/docview.wss?uid=swg27005524>

IBM Systems Center publications

Use this site to view and order Redbooks publications, Redpapers, and Technotes

<http://www.redbooks.ibm.com/>

z/OS Support Community

Search the z/OS Support Community Library for Techdocs (including Flashes, presentations, Technotes, FAQs, white papers, Customer Support Plans, and Skills Transfer information)

[z/OS Support Community](#)

Tivoli® NetView® for z/OS

Use this site to view and download product documentation about Tivoli NetView for z/OS

<http://www.ibm.com/support/knowledgecenter/SSZJDU/welcome>

RFCs

Search for and view Request for Comments documents in this section of the Internet Engineering Task Force website, with links to the RFC repository and the IETF Working Groups web page

<http://www.ietf.org/rfc.html>

Internet drafts

View Internet-Drafts, which are working documents of the Internet Engineering Task Force (IETF) and other groups, in this section of the Internet Engineering Task Force website

<http://www.ietf.org/ID.html>

Information about web addresses can also be found in information APAR II11334.

Note: Any pointers in this publication to websites are provided for convenience only and do not serve as an endorsement of these websites.

DNS websites

For more information about DNS, see the following USENET news groups and mailing addresses:

USENET news groups

comp.protocols.dns.bind

BIND mailing lists

<https://lists.isc.org/mailman/listinfo>

BIND Users

- Subscribe by sending mail to bind-users-request@isc.org.
- Submit questions or answers to this forum by sending mail to bind-users@isc.org.

BIND 9 Users (This list might not be maintained indefinitely.)

- Subscribe by sending mail to bind9-users-request@isc.org.
- Submit questions or answers to this forum by sending mail to bind9-users@isc.org.

The z/OS Basic Skills Information Center

The z/OS Basic Skills Information Center is a web-based information resource intended to help users learn the basic concepts of z/OS, the operating system that runs most of the IBM mainframe computers in use today. The Information Center is designed to introduce a new generation of Information Technology professionals to basic concepts and help them prepare for a career as a z/OS professional, such as a z/OS systems programmer.

Specifically, the z/OS Basic Skills Information Center is intended to achieve the following objectives:

- Provide basic education and information about z/OS without charge

- Shorten the time it takes for people to become productive on the mainframe
- Make it easier for new people to learn z/OS

To access the z/OS Basic Skills Information Center, open your web browser to the following website, which is available to all users (no login required): <https://www.ibm.com/support/knowledgecenter/zosbasics/com.ibm.zos.zbasics/homepage.html?cp=zosbasics>

Summary of changes for IP CICS Sockets Guide

This document contains terminology, maintenance, and editorial changes, including changes to improve consistency and retrievability. Technical changes or additions to the text and illustrations are indicated by a vertical line to the left of the change.

Changes made in z/OS Communications Server Version 2 Release 5

This information contains no technical change for this release.

Changes made in z/OS Communications Server Version 2 Release 4

This document contains information previously presented in z/OS Communications Server: IP CICS Sockets Guide, which supported z/OS Version 2 Release 3.

Changed information

AT-TLS support for TLS v1.3, see [Sockets return codes \(ERRNOs\)](#)

Changes made in z/OS Communications Server Version 2 Release 3

This document contains information previously presented in z/OS Communications Server: IP CICS Sockets Guide, which supported z/OS Version 2 Release 2.

Changed information

- IPv6 `getaddrinfo()` API standards compliance, see the following topics:
 - [“getaddrinfo\(\) call parameters” on page 152](#)
 - [“Parameter values set by the application for the GETADDRINFO call” on page 221](#)

Chapter 1. Introduction to CICS TCP/IP

The IP CICS socket API and the IBM supplied listener is IPv4 and IPv6 enabled.

CICS Transaction Server (CICS TS) is an online transaction processing system. Application programs using CICS can handle large numbers of data transactions from large networks of computers and terminals.

Communication throughout these networks has often been based on the Systems Network Architecture (SNA) family of protocols. CICS TCP/IP offers CICS users an alternative to SNA, the TCP/IP family of protocols for those users whose native communications protocol is TCP/IP.

CICS TCP/IP allows remote users to access CICS client/server applications over TCP/IP Internets. [Figure 1 on page 1](#) shows how these two products give remote users peer-to-peer communication with CICS applications.

It is important to understand that CICS TCP/IP is primarily intended to support **peer-to-peer** applications, as opposed to the traditional CICS mainframe interactive applications in which the CICS system contained all program logic and the remote terminal was often referred to as a "dumb" terminal. To connect a TCP/IP host to one of those traditional applications, you should first consider using Telnet. With Telnet, you should be able to access existing 3270-style basic mapping support (BMS) applications without modification and without the need for additional programming. Use CICS TCP/IP when you are developing new peer-to-peer applications in which both ends of the connection are programmable.

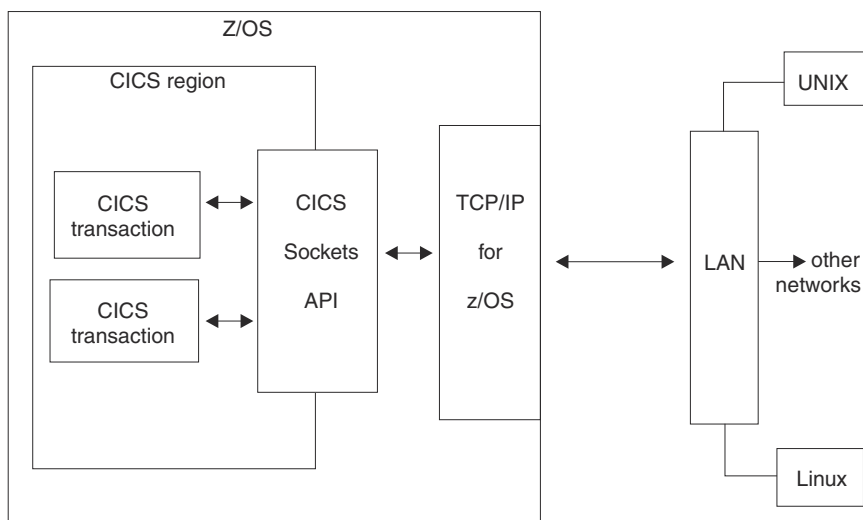


Figure 1. The use of CICS sockets

CICS TCP/IP provides a variant of the Berkeley Software Distribution 4.3 sockets interface, which is widely used in TCP/IP networks and is based on the UNIX system and other operating systems. The socket interface consists of a set of calls that your CICS application programs can use to set up connections, send and receive data, and perform general communications control functions. The programs can be written in COBOL, PL/I, assembler language, or the C language.

TCP/IP internets

This topic describes some of the basic ideas behind the TCP/IP family of protocols. For more detailed and comprehensive treatments of this subject, see the documents about TCP/IP listed in <http://www.ibm.com/systems/z/os/zos/library/bkserv/>.

Like SNA, TCP/IP is a communication protocol used between physically separated computer systems. Unlike SNA and most other protocols, TCP/IP is not designed for a particular hardware technology. TCP/IP can be implemented on a wide variety of physical networks, and is specially designed for communicating between systems on different physical networks (local and wide area). This is called Internetworking.

TCP/IP Services Telnet support

TCP/IP Services supports traditional 3270 mainframe interactive (MFI) applications with an emulator function called Telnet (TN3270). For these applications, all program logic is housed in the mainframe, and the remote host uses only that amount of logic necessary to provide basic communication services. Thus, if your requirement is simply to provide access from a remote TCP/IP host to existing CICS MFI applications, you should probably consider Telnet rather than CICS TCP/IP as the communications vehicle. Telnet 3270-emulation functions allow your TCP/IP host to communicate with traditional applications without modification.

CICS TCP/IP client and server processing

TCP/IP also supports client and server processing, where processes are either:

- **Servers** that provide a particular service and respond to requests for that service
- **Clients** that initiate the requests to the servers

With CICS TCP/IP, remote client systems can initiate communications with CICS and cause a CICS transaction to start. It is anticipated that this is the most common mode of operation. Alternatively, the remote system can act as a server with CICS initiating the conversation.

TCP/IP TCP, UDP, and IP protocols

TCP/IP is a large family of protocols that is named after its two most important members. Figure 2 on page 2 shows the TCP/IP protocols used by CICS TCP/IP, in terms of the layered Open Systems Interconnection (OSI) model, which is widely used to describe data communication systems. For CICS users who might be more accustomed to SNA, the left side of Figure 2 on page 2 shows the SNA layers, which correspond very closely to the OSI layers.

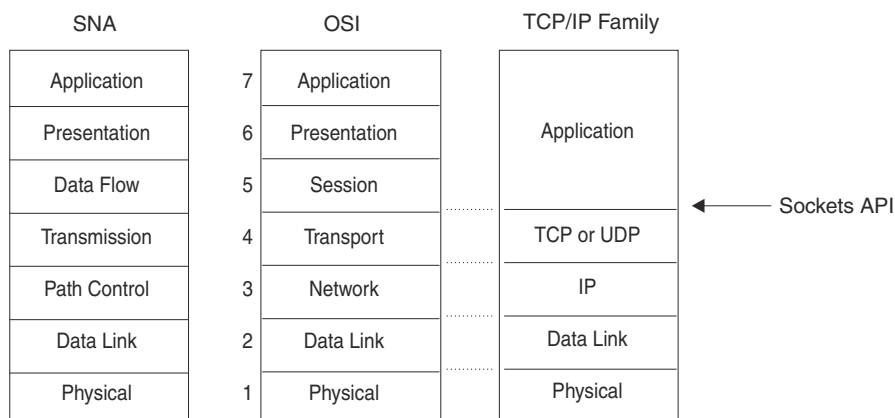


Figure 2. TCP/IP protocols compared to the OSI model and SNA

The protocols implemented by TCP/IP Services and used by CICS TCP/IP are shown in the right hand column in Figure 2 on page 2:

Transmission Control Protocol (TCP)

In terms of the OSI model, TCP is a transport-layer protocol. It provides a reliable virtual-circuit connection between applications; that is, a connection is established before data transmission begins. Data is sent without errors or duplication and is received in the same order as it is sent. No boundaries are imposed on the data; TCP treats the data as a stream of bytes.

User Datagram Protocol (UDP)

UDP is also a transport-layer protocol and is an alternative to TCP. It provides an unreliable datagram connection between applications. Data is transmitted link by link; there is no end-to-end connection. The service provides no guarantees. Data can be lost or duplicated, and datagrams can arrive out of order.

Internet Protocol (IP)

In terms of the OSI model, IP is a network-layer protocol. It provides a datagram service between applications, supporting both TCP and UDP.

The socket API communication functions

The socket API is a collection of socket calls that enables you to perform the following primary communication functions between application programs:

- Set up and establish connections to other users on the network
- Send and receive data to and from other users
- Close down connections

In addition to these basic functions, the APIs enable you to:

- Interrogate the network system to get names and status of relevant resources
- Perform system and control functions as required

CICS TCP/IP provides three TCP/IP socket application program interfaces (APIs), similar to those used on UNIX systems. One interfaces to C language programs, the other two to COBOL, PL/I, and assembler language programs.

- **C language.** Historically, TCP/IP has been linked to the C language and the UNIX operating system. Textbook descriptions of socket calls are usually given in C, and most socket programmers are familiar with the C interface to TCP/IP. For these reasons, TCP/IP Services includes a C language API. If you are writing new TCP/IP applications and are familiar with C language programming, you might prefer to use this interface. See [Chapter 7, “C language application programming,” on page 137](#) for the sockets calls provided by TCP/IP Services.
- **Sockets Extended API (COBOL, PL/I, assembler language).** The Sockets Extended API is for those who want to write in COBOL, PL/I, or assembler language, or who have COBOL, PL/I, or assembler language programs that need to be modified to run with TCP/IP. If you are writing new TCP/IP applications in COBOL, PL/I, or assembler language, you might prefer to use the Sockets Extended API. See [Chapter 8, “Sockets extended API,” on page 203](#) for details of this interface.
- **Version 2.2.1 (COBOL, PL/I, assembler language).** This is the API that was offered to users of the original release of CICS TCP/IP. It is similar in use to the Sockets Extended API. The Version 2.2.1 API is available for those who want to maintain Version 2.2.1 programs. This interface is described in [Appendix A, “Original COBOL application programming interface \(EZACICAL\),” on page 349](#).

Programming with sockets

The original UNIX socket interface was designed to hide the physical details of the network. It included the concept of a socket, which would represent the connection to the programmer, yet shield the program (as much as possible) from the details of communication programming. A socket is an end-point for communication that can be named and addressed in a network. From an application program perspective, a socket is a resource that is allocated by the TCP/IP address space. A socket is represented to the program by an integer called a *socket descriptor*.

MVS socket APIs

The MVS socket APIs provide a standard interface to the transport and Internetwork layer interfaces of TCP/IP. They support three socket types: stream, datagram, and raw. Stream and datagram socket interface to the transport layer protocols, and raw socket interface to the network layer protocols. All three socket types are discussed here for background purposes. While CICS supports stream and datagram sockets, stream sockets provide the most reliable form of data transfer offered by TCP/IP.

Stream sockets transmit data between TCP/IP hosts that are already connected to one another. Data is transmitted in a continuous stream; in other words, there are no record length or new-line character boundaries between data. Communicating processes ¹ must agree on a scheme to ensure that both client

and server have received all data. One way of doing this is for the sending process to send the length of the data, followed by the data itself. The receiving process reads the length and then loops, accepting data until all of it has been transferred.

In TCP/IP terminology, the stream socket interface defines a "reliable" connection-oriented service. In this context, the word reliable means that data is sent without error or duplication and is received in the same order as it is sent. Flow control is built in to avoid data overruns.

The datagram socket interface defines a connectionless service. Datagrams are sent as independent packets. The service provides no guarantees; data can be lost or duplicated, and datagrams can arrive out of order. The size of a datagram is limited to the size that can be sent in a single transaction (currently the default is 8192 and the maximum is 65507). No disassembly and reassembly of packets is performed by TCP/IP.

The raw socket interface allows direct access to lower layer protocols, such as IP and Internet Control Message Protocol (ICMP). This interface is often used for testing new protocol implementations.

Addressing TCP/IP hosts

This topic describes how one TCP/IP host addresses another TCP/IP host.²

Address families supported for TCP/IP

An address family defines a specific addressing format. Applications that use the same addressing family have a common scheme for addressing socket endpoints. TCP/IP for CICS supports the AF_INET and the AF_INET6 address family. See the API topic in [z/OS Communications Server: IPv6 Network and Application Design Guide](#) for more information about IPv6 programming issues.

Socket addresses in the AF_INET family

A socket address in the AF_INET family contains four fields:

- The name of the address family itself (AF_INET)
- A port
- An IPv4 Internet address
- An 8-byte reserved field

In COBOL, an IPv4 socket address looks like this:

```
01 NAME.  
   03 FAMILY      PIC 9(4) BINARY.  
   03 PORT        PIC 9(4) BINARY.  
   03 IP-ADDRESS  PIC 9(8) BINARY.  
   03 RESERVED   PIC X(8).
```

A socket address in the AF_INET6 family contains five fields:

- The name of the address family itself (AF_INET6)
- A port
- Flow information indicating traffic class and flow label
- An IPv6 Internet address
- A scope ID indicating link scope

In COBOL, an IPv6 socket address looks like this:

```
01 NAME.  
   03 FAMILY      PIC 9(4) BINARY.  
   03 PORT        PIC 9(4) BINARY.  
   03 FLOWINFO    PIC 9(8) BINARY.
```

¹ In TCP/IP terminology, a process is essentially the same as an application program.

² In TCP/IP terminology, a host is simply a computer that is running TCP/IP. There is no connotation of mainframe or large processor within the TCP/IP definition of the word host.

```

03 IP-ADDRESS.
   05 FILLER    PIC 9(16) BINARY.
   05 FILLER    PIC 9(16) BINARY.
03 SCOPE-ID    PIC 9(8) BINARY.

```

Programs, such as servers, that support both AF_INET and AF_INET6 sockets, should code socket address structures using the SOCKADDR layout as described in the SYS1.MACLIB(BPXYSOCK). In COBOL, a socket address structure to support both AF_INET and AF_INET6 looks like this:

```

01 SOCKADDR.
   05 SOCK-FAMILY                PIC 9(4) BINARY.
   88 SOCK-FAMILY-IS-AFINET     VALUE 2.
   88 SOCK-FAMILY-IS-AFINET6   VALUE 19.
   05 SOCK-DATA                 PIC X(26).
   05 SOCK-SIN REDEFINES SOCK-DATA.
   10 SOCK-SIN-PORT            PIC 9(4) BINARY.
   10 SOCK-SIN-ADDR           PIC 9(8) BINARY.
   10 FILLER                   PIC X(8).
   10 FILLER                   PIC X(12).
   05 SOCK-SIN6 REDEFINES SOCK-DATA.
   10 SOCK-SIN6-PORT          PIC 9(4) BINARY.
   10 SOCK-SIN6-FLOWINFO      PIC 9(8) BINARY.
   10 SOCK-SIN6-ADDR.
   15 FILLER                   PIC 9(16) BINARY.
   15 FILLER                   PIC 9(16) BINARY.
   10 SOCK-SIN6-SCOPEID       PIC 9(8) BINARY.

```

The IPv4 or IPv6 socket address structure is in every call that addresses another TCP/IP host.

This structure contains the following fields:

FAMILY

A halfword that defines the addressing family being used. In CICS, FAMILY is set to a value of a decimal 2 (that specifies the AF_INET Internet address family) or a value of a decimal 19 (that specifies the AF_INET6 Internet address family).³

PORT

Identifies the application port number and must be specified in network byte order.

FLOWINFO

Belongs to the IPv6 socket address structure and is 4 bytes in binary format indicating traffic class and flow label. This field is currently not implemented.

IP-ADDRESS

The Internet address of the network interface used by the application. It must be specified in network byte order.

RESERVED

Belongs to the IPv4 socket address structure and should be set to all zeros.

SCOPE-ID

Belongs to the IPv6 socket address structure and is used to specify link scope for an IPv6 address as an interface index. If specified, and the destination is not link local, then the socket call fails.

Internet (IP) addresses

An Internet address (also known as an IP address) is a 32-bit field that represents an IPv4 network interface or a 128-bit field that represents an IPv6 network interface. An IP address is commonly represented in dotted decimal notation, such as *129.5.25.1*, or in colon-hexadecimal notation, such as *2001:0db8:129:5:25::1*. Every Internet address within an administered AF_INET or AF_INET6 domain must be unique. A common misunderstanding is that a host must have only one Internet address. In fact, a single host can have several Internet addresses, one for each network interface. With IPv6, a single interface can even have multiple addresses, such as link-local, site-local, and global unicast.

³ Note that sockets support many address families, but TCP/IP for CICS supports only the Internet address family.

Ports

A port is a 16-bit integer that defines a specific application, within an IP address, in which several applications use the same network interface. The port number is a qualifier that TCP/IP uses to route incoming data to a specific application within an IP address. Some port numbers are reserved for particular applications and are called *well-known ports*, such as Port 23, which is the well-known port for Telnet.

IPv4 Example: An MVS system with an IP address of 129.9.12.7 might have CICS IMS as port 2000, and Telnet as port 23. In this example, a client desiring connection to CICS IMS would issue a CONNECT call, requesting port 2000 at IP address 129.9.12.7.

IPv6 Example: An MVS system with an IPv6 IP address of 2001:0DB8::206:2AFF:FE66:C800 might have CICS as port 2000, and Telnet as port 23. In this example, a client that wants to connect to CICS would issue a CONNECT call, requesting port 2000 at IP address 2001:0DB8::206:2AFF:FE66:C800.

Note: It is important to understand the difference between a socket and a port. TCP/IP defines a port to represent a certain process on a certain machine (network interface). A port represents the location of one process in a host that can have many processes. A bound socket represents a specific port and the IP address of its host. In the case of CICS, the listener has a listening socket that has a port to receive incoming connection requests. When a connection request is received, the listener creates a new socket representing the endpoint of this connection and passes it to the applications by way of the `givesocket/takesocket` calls.

Multiple sockets can share the same port and, for CICS, all server applications and the listener share the same port. For client applications, the `bind` (or `connect`) socket calls assign a port to the socket that is different from the listener or server port or any other client ports. Normally, client applications do not share ports, but they can if you specify the `SO_REUSEADDR` socket option. In the case of IMS, an IMS MPR region would normally have a single port number; that port would provide access to one of a number of sockets associated with that IMS system. If an MVS system contains multiple IMS subsystems, each IMS subsystem would have a unique port number.

Representing host interfaces as domain names

Because dotted decimal or colon-hexadecimal IP addresses are difficult to remember, TCP/IP also allows you to represent host interfaces on the network as alphabetic names, such as `Alana.E04.IBM.COM` or `CrFre@AOL.COM`. Every Domain Name has an equivalent IP address or set of addresses. TCP/IP includes service functions (`GETHOSTBYNAME`, `GETHOSTBYADDR`, `GETADDRINFO`, and `GETNAMEINFO`) that helps you convert from one notation to another.

Network Byte Order

In the open environment of TCP/IP, Internet addresses must be defined in terms of the architecture of the machines. Some machine architectures, such as IBM mainframes, define the lowest memory address to be the high-order bit, which is called *big endian*. However, other architectures, such as IBM PCs, define the lowest memory address to be the low-order bit, which is called *little endian*.

Network addresses in a given network must all follow a consistent addressing convention. This convention, known as *Network Byte Order*, defines the bit-order of network addresses as they pass through the network. The TCP/IP standard *Network Byte Order* is *big-endian*. In order to participate in a TCP/IP network, *little-endian* systems usually bear the burden of conversion to *Network Byte Order*.

Note: The socket interface does not handle application data bit-order differences. Application writers must handle these bit order differences themselves.

A typical client-server program flow chart

Stream-oriented socket programs generally follow a prescribed sequence. See [Figure 3 on page 8](#) for a diagram of the logic flow for a typical client and server. As you study this diagram, keep in mind the fact that a concurrent server typically starts before the client does, and waits for the client to request connection at step **3**. It then continues to wait for additional client requests after the client connection is closed.

A typical client-server session

Step 1: Server and client create a stream socket `s` with the `socket()` call.

Step 2: (Optional for client) Server bind socket `s` to a local address with the `bind()` call.

Step 3: Server uses the `listen()` call to alert the TCP/IP machine of the willingness to accept connections.

Step 4: Client connects socket `s` to a foreign host with the `connect()` call.

Step 5: Server accepts the connection and receives a second socket, for example `ns`, with the `accept()` call.

Step 6 and 7: Server reads and writes data on socket `ns`, client reads and writes data on socket `s`, by using `send()` and `recv()` calls, until all data has been exchanged.

Step 8: Server closes socket `ns` with the `close()` call. Client closes socket `s` and end the TCP/IP session with the `close()` call. Go to step 5.

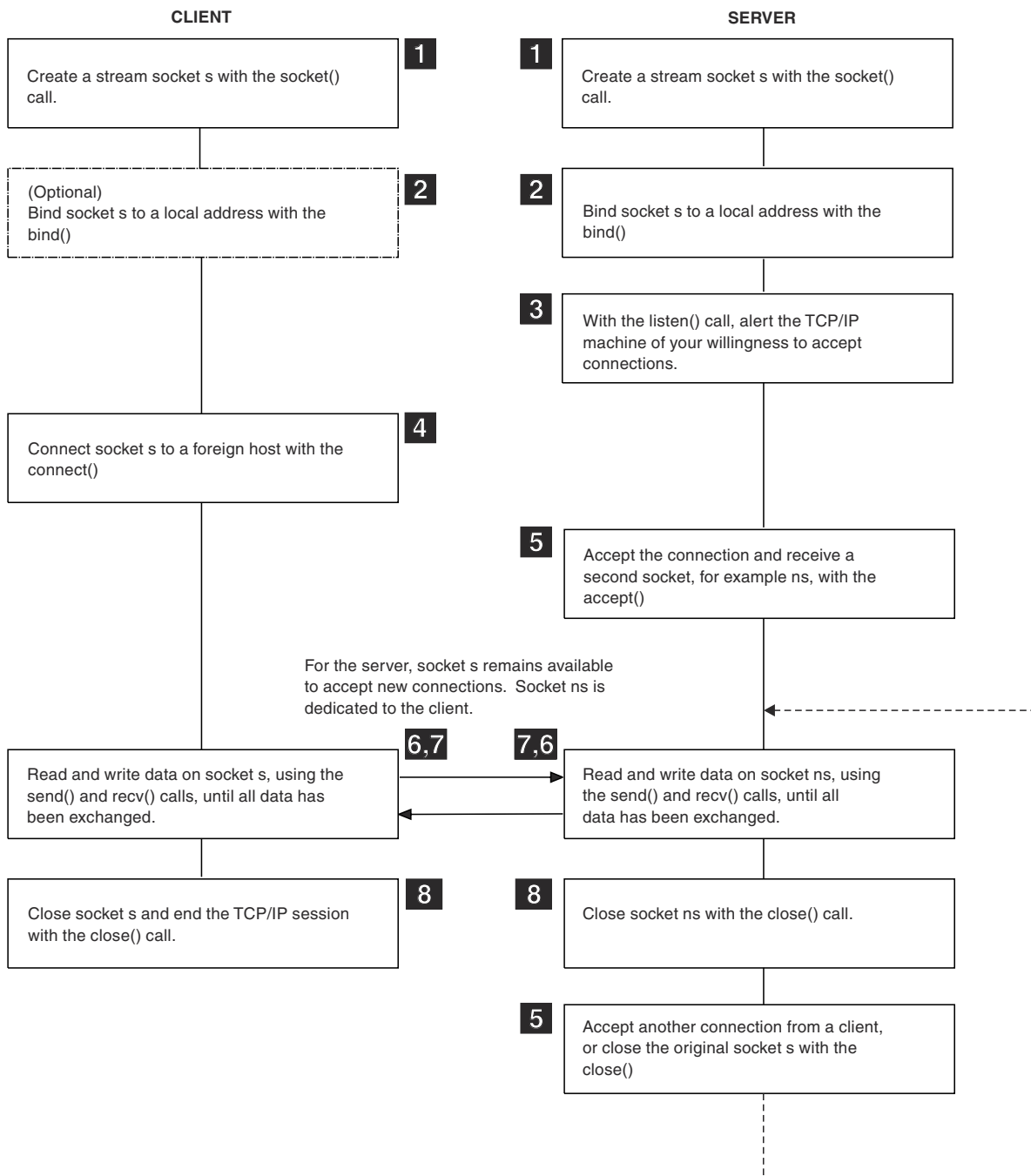


Figure 3. A typical client-server session

Concurrent and iterative servers

An iterative server handles both the connection request and the transaction involved in the call itself. Iterative servers are fairly simple and are suitable for transactions that do not last long.

However, if the transaction takes more time, queues can build up quickly. In Figure 4 on page 9, after Client A starts a transaction with the server, Client B cannot make a call until A has finished.

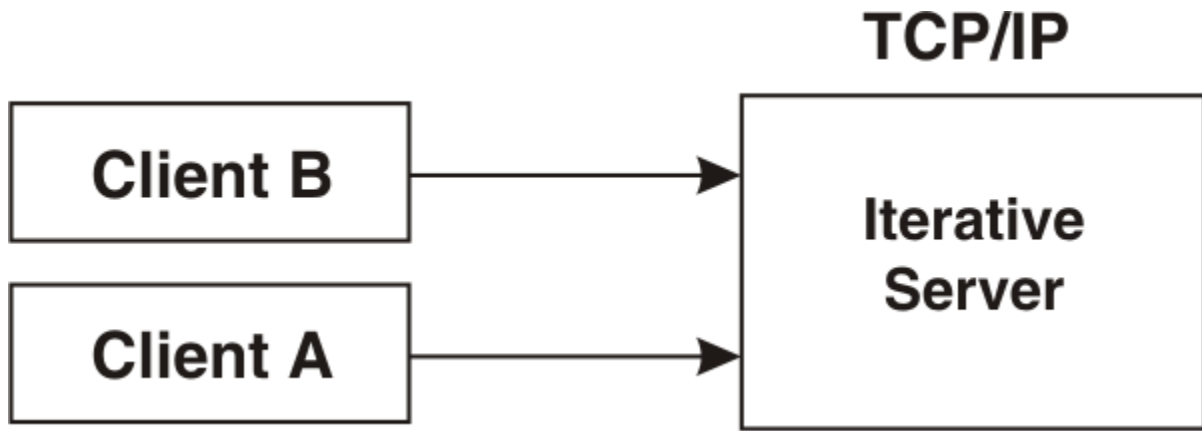


Figure 4. An iterative server

So, for lengthy transactions, a different sort of server is needed – the concurrent server, as shown in Figure 5 on page 9. Here, Client A has already established a connection with the server, which has then created a child server process to handle the transaction. This allows the server to process Client B's request without waiting for A's transaction to complete. More than one child server can be started in this way.

TCP/IP provides a concurrent server program called the CICS listener. It is described in [“CICS application transaction \(IBM listener\)”](#) on page 116.

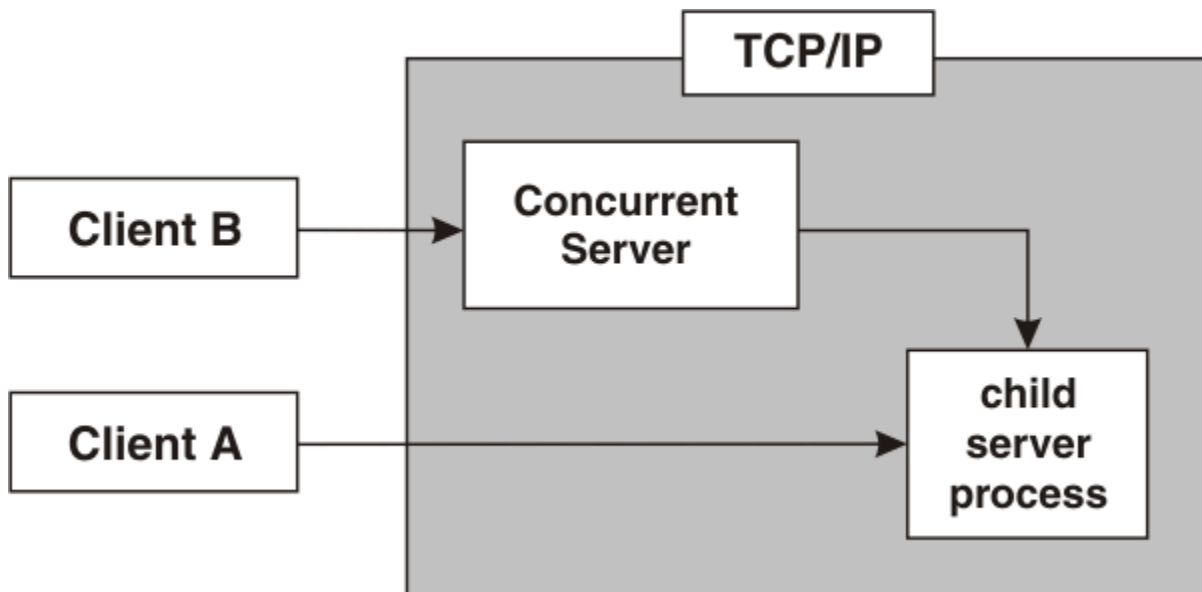


Figure 5. A concurrent server

Figure 3 on page 8 illustrates a concurrent server at work.

Basic socket calls

This topic contains an overview of the basic socket calls.

The following calls are used by the server:

SOCKET

Obtains a socket to read from or write to.

BIND

Associates a socket with a port number.

LISTEN

Tells TCP/IP that this process is listening for connections on this socket.

SELECT

Waits for activity on a socket.

ACCEPT

Accepts a connection from a client.

The following calls are used by a concurrent server to pass the socket from the parent server task (listener) to the child server task (user-written application).

GIVESOCKET

Gives a socket to a child server task.

TAKESOCKET

Accepts a socket from a parent server task.

GETCLIENTID

Optionally used by the parent server task to determine its own address space name (if unknown) prior to issuing the GIVESOCKET.

The following calls are used by the client:

SOCKET

Allocates a socket to read from or write to.

CONNECT

Allows a client to open a connection to a server's port.

The following calls are used by both the client and the server:

WRITE

Sends data to the process on the other host.

READ

Receives data from the other host.

CLOSE

Terminates a connection, deallocating the socket.

For full discussion and examples of these calls, see [Chapter 8, "Sockets extended API," on page 203](#).

Server TCP/IP calls

To understand Socket programming, the client program and the server program must be considered separately. In this topic, the call sequence for the server is described; ["SOCKET server TCP/IP call" on page 10](#) discusses the typical call sequence for a client. This is the logical presentation sequence because the server is usually already in running before the client is started. The step numbers (such as **5**) in this topic refer to the steps in [Figure 3 on page 8](#).

SOCKET server TCP/IP call

The server must first obtain a socket **1**. This socket provides an end-point to which clients can connect.

A socket is actually an index into a table of connections in the TCP/IP address space, so TCP/IP usually assigns socket numbers in ascending order. In COBOL, the programmer uses the SOCKET call to obtain a new socket.

The socket function specifies the address family of AF_INET or AF_INET6, the type of socket (STREAM), and the particular networking protocol (PROTO) to use. (When PROTO is set to zero, the TCP/IP address space automatically uses the appropriate protocol for the specified socket type). Upon return, the newly allocated socket's descriptor is returned in RETCODE.

For an example of the SOCKET call, see ["SOCKET call" on page 327](#).

BIND server TCP/IP call

At this point **2**, an entry in the table of communications has been reserved for the application. However, the socket has no port or IP address associated with it until the BIND call is issued. The BIND function requires three parameters:

- The socket descriptor that was just returned by the SOCKET call
- The number of the port on which the server wants to provide its service
- The IP address of the network connection on which the server is listening

If the application wants to receive connection requests from any network interface, the IP address should be set to zeros specifying INADDR_ANY for IPv4 or the IPv6 unspecified address (in6addr_any).

For an example of the BIND call, see [“BIND call” on page 208](#).

LISTEN server TCP/IP call

After the bind, the server has established a specific IP address and port upon which other TCP/IP hosts can request connection. Now it must notify the TCP/IP address space that it intends to listen for connections on this socket. The server does this with the LISTEN³ call, which puts the socket into passive open mode. Passive open mode describes a socket that can accept connection requests, but cannot be used for communication. A passive open socket is used by a listener program like the CICS IMS listener to await connection requests. Sockets that are directly used for communication between client and server are known as active open sockets. In passive open mode, the socket is open for client contacts; it also establishes a backlog queue of pending connections.

This LISTEN call tells the TCP/IP address space that the server is ready to begin accepting connections. Normally, only the number of requests specified by the BACKLOG parameter are queued.

For an example of the LISTEN call, see [“LISTEN call” on page 275](#).

ACCEPT server TCP/IP call

At this time **5**, the server has obtained a socket, bound the socket to an IP address and port, and issued a LISTEN to open the socket. The server main task is now ready for a client to request connection **4**. The ACCEPT call temporarily blocks further progress.⁴

The default mode for Accept is blocking. Accept behavior changes when the socket is nonblocking. The FCNTL() or IOCTL() calls can be used to disable blocking for a given socket. When this is done, calls that would normally block continue regardless of whether the I/O call has completed. If a socket is set to nonblocking and an I/O call issued to that socket would otherwise block (because the I/O call has not completed) the call returns with ERRNO 35 (EWOULDBLOCK).

When the ACCEPT call is issued, the server passes its socket descriptor, S, to TCP/IP. When the connection is established, the ACCEPT call returns a new socket descriptor (in RETCODE) that represents the connection with the client. This is the socket upon which the server subtask communicates with the client. Meanwhile, the original socket (S) is still allocated, bound and ready for use by the main task to accept subsequent connection requests from other clients.

To accept another connection, the server calls ACCEPT again. By repeatedly calling ACCEPT, a concurrent server can establish simultaneous sessions with multiple clients.

For an example of the ACCEPT call, see [“ACCEPT call” on page 206](#).

GIVESOCKET and TAKESOCKET server TCP/IP call

The GIVESOCKET and TAKESOCKET functions are not supported with the IMS TCP/IP OTMA Connection server. A server handling more than one client simultaneously acts like a dispatcher at a messenger

⁴ Blocking is a UNIX concept in which the requesting process is suspended until the request is satisfied. It is roughly analogous to the MVS wait. A socket is blocked while an I/O call waits for an event to complete. If a socket is set to block, the calling program is suspended until the expected event completes.

service. A messenger dispatcher gets telephone calls from people who want items delivered, and the dispatcher sends out messengers to do the work. In a similar manner, the server receives client requests, and then spawns tasks to handle each client.

In UNIX-based servers, the *fork()* system call is used to dispatch a new subtask after the initial connection has been established. When the *fork()* command is used, the new process automatically inherits the socket that is connected to the client.

Because of architectural differences, CICS sockets does not implement the *fork()* system call. Tasks use the GIVESOCKET and TAKESOCKET functions to pass sockets from parent to child. The task passing the socket uses GIVESOCKET, and the task receiving the socket uses TAKESOCKET. See [“GIVESOCKET and TAKESOCKET calls” on page 15](#) for more information about these calls.

READ and WRITE server TCP/IP call

After a client has been connected with the server, and the socket has been transferred from the main task (parent) to the subtask (child), the client and server exchange application data, using various forms of READ/WRITE calls. See [“READ/WRITE client TCP/IP calls \(the conversation\)” on page 12](#) for details about these calls.

Client TCP/IP calls

The TCP/IP call sequence for a client is simpler than the one for a concurrent server. A client has to support only one connection and one conversation. A concurrent server obtains a socket upon which it can listen for connection requests, and then creates a new socket for each new connection.

SOCKET client TCP/IP calls

In the same manner as the server, the first call **1** issued by the client is the SOCKET call. This call causes allocation of the socket on which the client communicates.

```
CALL 'EZASOKET' USING SOCKET-FUNCTION SOCTYPE PROTO ERRNO RETCODE.
```

See [“SOCKET call” on page 327](#) for a sample of the SOCKET call.

CONNECT client TCP/IP calls

After the SOCKET call has allocated a socket to the client, the client can then request connection on that socket with the server through use of the CONNECT call **4**.

The CONNECT call attempts to connect socket descriptor (S) to the server with an IP address of NAME. The CONNECT call blocks until the connection is accepted by the server. On successful return, the socket descriptor (S) can be used for communication with the server.

This is essentially the same sequence as that of the server; however, the client does not need to issue a BIND command because the port of a client has little significance. The client needs to issue only the CONNECT call, which issues an implicit BIND. When the CONNECT call is used to bind the socket to a port, the port number is assigned by the system and discarded when the connection is closed. Such a port is known as an ephemeral port because its life is very short as compared with that of a concurrent server, whose port remains available for a prolonged period of time.

See [“CONNECT call” on page 214](#) for an example of the CONNECT call.

READ/WRITE client TCP/IP calls (the conversation)

A variety of I/O calls is available to the programmer. The READ and WRITE, READV and WRITEV, and SEND6 and RECV6 calls can be used only on sockets that are in the connected state. The SENDTO and RECVFROM, and SENDMSG and RECVMSG calls can be used regardless of whether a connection exists.

The WRITEV, READV, SENDMSG, and RECVMSG calls provide the additional features of scatter and gather data. Scattered data can be located in multiple data buffers. The WRITEV and SENDMSG calls gather

the scattered data and send it. The READV and RECVMMSG calls receive data and scatter it into multiple buffers.

The WRITE and READ calls specify the socket S on which to communicate, the address in storage of the buffer that contains the data (BUF), and the amount of data transferred (NBYTE). The server uses the socket that is returned from the ACCEPT call.

These functions return the amount of data that was either sent or received. Because stream sockets send and receive information in streams of data, it can take more than one call to WRITE or READ to transfer all of the data. It is up to the client and server to agree on some mechanism of signaling that all of the data has been transferred.

- For an example of the READ call, see [“READ call” on page 280](#).
- For an example of the WRITE call, see [“WRITE call” on page 331](#).

CLOSE TCP/IP call

When the conversation is over, both the client and server call CLOSE to end the connection. The CLOSE call also deallocates the socket, freeing its space in the table of connections. For an example of the CLOSE call, see [“CLOSE call” on page 213](#).

Other socket calls used for servers

Several other calls that are often used, particularly in servers, are the SELECT call, the GIVESOCKET/TAKESOCKET calls, and the IOCTL and FCTL calls.

SELECT call

Applications such as concurrent servers often handle multiple sockets at simultaneously. In such situations, the SELECT call can be used to simplify the determination of which sockets have data to be read, which are ready for data to be written, and which have pending exceptional conditions. An example of how the SELECT call is used can be found in [Figure 6 on page 13](#).

```
WORKING-STORAGE SECTION.  
  01 SOC-FUNCTION      PIC X(16) VALUE IS 'SELECT'.  
  01 MAXSOC            PIC 9(8) BINARY VALUE 50.  
  01 TIMEOUT.  
    03 TIMEOUT-SECONDS PIC 9(8) BINARY.  
    03 TIMEOUT-MILLISEC PIC 9(8) BINARY.  
  01 RSNDMASK          PIC X(50).  
  01 WSNDMASK          PIC X(50).  
  01 ESNDMASK          PIC X(50).  
  01 RRETMASK          PIC X(50).  
  01 WRETMASK          PIC X(50).  
  01 ERETMASK          PIC X(50).  
  01 ERRNO             PIC 9(8) BINARY.  
  01 RETCODE           PIC S9(8) BINARY.  
  
PROCEDURE DIVISION.  
  CALL 'EZASOKET' USING SOC-FUNCTION MAXSOC TIMEOUT  
                      RSNDMASK WSNDMASK ESNDMASK  
                      RRETMASK WRETMASK ERETMASK  
                      ERRNO RETCODE.
```

Figure 6. The SELECT call

In this example, the application sends bit sets (the xSNDMASK sets) to indicate which sockets are to be tested for certain conditions, and receives another set of bits (the xRETMASK sets) from TCP/IP to indicate which sockets meet the specified conditions.

The example also indicates a timeout. If the timeout parameter is NULL, this is the C language API equivalent of a wait forever. (In Sockets Extended, a negative timeout value is a wait forever.) If the timeout parameter is nonzero, SELECT waits only the timeout amount of time for at least one socket to become ready under the indicated conditions. This is useful for applications servicing multiple connections that cannot afford to wait for data on a single connection. If the xSNDMASK bits are all zero, SELECT acts as a timer.

With the Socket SELECT call, you can define which sockets you want to test (the xSNDMASKs) and then wait (block) until one of the specified sockets is ready to be processed. When the SELECT call returns, the program knows only that some event has occurred, and it must test a set of bit masks (xRETMASKs) to determine which of the sockets had the event, and what the event was.

To maximize performance, a server should test only those sockets that are active. The SELECT call allows an application to select which sockets are tested and for what. When the Select call is issued, it blocks until the specified sockets are ready to be serviced (or, optionally) until a timer expires. When the select call returns, the program must check to see which sockets require service, and then process them.

To allow you to test any number of sockets with just one call to SELECT, place the sockets to test into a bit set, passing the bit set to the select call. A bit set is a string of bits where each possible member of the set is represented by a 0 or a 1. If the member's bit is 0, the member is not to be tested. If the member's bit is 1, the member is to be tested. Socket descriptors are actually small integers. If socket 3 is a member of a bit set, then bit 3 is set; otherwise, bit 3 is zero.

Therefore, the server specifies 3 bit sets of sockets in its call to the SELECT function: one bit set for sockets on which to receive data; another for sockets on which to write data; and any sockets with exception conditions. The SELECT call tests each selected socket for activity and returns only those sockets that have completed. On return, if a socket's bit is raised, the socket is ready for reading data or for writing data, or an exceptional condition has occurred.

The format of the bit strings is a bit awkward for an assembler programmer who is accustomed to bit strings that are counted from left to right. Instead, these bit strings are counted from right to left.

The first rule is that the length of a bit string is always expressed as a number of fullwords. If the highest socket descriptor you want to test is socket descriptor 3, you have to pass a 4-byte bit string, because this is the minimum length. If the highest number is 32, you must pass 8 bytes (2 fullwords).

The number of fullwords in each select mask can be calculated as

```
INT(highest socket descriptor / 32) + 1
```

Look at the first fullword you pass in a bit string in [Table 1 on page 14](#).

Table 1. First fullword passed in a bit string in select

Socket descriptor numbers represented by byte	Bit 0	Bit 1	Bit 2	Bit 3	Bit 4	Bit 5	Bit 6	Bit 7
Byte 0	31	30	29	28	27	26	25	24
Byte 1	23	22	21	20	19	18	17	16
Byte 2	15	14	13	12	11	10	9	8
Byte 3	7	6	5	4	3	2	1	0

In these examples, standard assembler numbering notation is shown; the leftmost bit or byte is relative 0.

If you want to test socket descriptor number 5 for pending read activity, you raise bit 2 in byte 3 of the first fullword (X'00000020'). If you want to test both socket descriptor 4 and 5, you raise both bit 2 and bit 3 in byte 3 of the first fullword (X'00000030').

If you want to test socket descriptor number 32, you must pass two fullwords, where the numbering scheme for the second fullword resembles that of the first. Socket descriptor number 32 is bit 7 in byte 3 of the second fullword. If you want to test socket descriptors 5 and 32, you pass two fullwords with the following content: X'0000002000000001'.

The bits in the second fullword represent the socket descriptor numbers shown in [Table 2 on page 15](#).

Table 2. Second fullword passed in a bit string in select

Socket descriptor numbers represented by byte	Bit 0	Bit 1	Bit 2	Bit 3	Bit 4	Bit 5	Bit 6	Bit 7
Byte 4	63	62	61	60	59	58	57	56
Byte 5	55	54	53	52	51	50	49	48
Byte 6	47	46	45	44	43	42	41	40
Byte 7	39	38	37	36	35	34	33	32

If you develop your program in COBOL or PL/I, the EZACIC06 routine, which is provided as part of TCP/IP Services, makes it easier to build and test these bit strings. This routine translates between a character string mask (1 byte per socket) and a bit string mask (1 bit per socket).

In addition to its function of reporting completion on Read/Write events, the SELECT call can also be used to determine completion of events associated with the LISTEN and GIVESOCKET calls.

- When a connection request is pending on the socket for which the main process issued the LISTEN call, it is reported as a pending read.
- When the parent process has issued a GIVESOCKET, and the child process has taken the socket, the parent's socket descriptor is selected with an exception condition. The parent process is expected to close the socket descriptor when this happens.

IOCTL and FCNTL calls

In addition to SELECT, applications can use the IOCTL or FCNTL calls to help perform asynchronous (nonblocking) socket operations. An example of the use of the IOCTL call is shown in [“IOCTL call”](#) on page 265.

The IOCTL call has many functions; establishing blocking mode is only one of its functions. The value in COMMAND determines which function IOCTL performs. The REQARG of 0 specifies nonblocking. (A REQARG of 1 would request that socket S be set to blocking mode.) When this socket is passed as a parameter to a call that would block (such as RECV when data is not present), the call returns with an error code in RETCODE, and ERRNO set to EWOULDBLOCK. Setting the mode of the socket to nonblocking allows an application to continue processing without becoming blocked.

GIVESOCKET and TAKESOCKET calls

The GIVESOCKET and TAKESOCKET functions are not supported with the IMS TCP/IP OTMA Connection server. Tasks use the GIVESOCKET and TAKESOCKET functions to pass sockets from parent to child.

For programs using TCP/IP Services, each task has its own unique 8-byte name. The main server task passes four arguments to the GIVESOCKET call:

- The socket number it wants to give
- The domain of the socket
- Its own name⁵
- The name of the task to which it wants to give the socket

If the server does not know the name of the subtask that receives the socket, it blanks out the name of the subtask. The first subtask calling TAKESOCKET with the server's unique name receives the socket.

⁵ If a task does not know its address space name, it can use the GETCLIENTID function call to determine its unique name.

The subtask that receives the socket must know the main task's unique name and the number of the socket that it is to receive. This information must be passed from main task to subtask in a work area that is common to both tasks.

In IMS, the parent task name and the number of the socket descriptor are passed from parent (listener) to child (MPP) through the message queue.

In CICS, the parent task name and the socket descriptor number are passed from the parent (listener) to the transaction program by means of the EXEC CICS START and EXEC CICS RETREIVE function.

Because each task has its own socket table, the socket descriptor obtained by the main task is not the socket descriptor that the subtask uses. When TAKESOCKET accepts the socket that has been given, the TAKESOCKET call assigns a new socket number for the subtask to use. This new socket number represents the same connection as the parent's socket. (The transferred socket might be referred to as socket number 54 by the parent task and as socket number 3 by the subtask; however, both socket descriptors represent the same connection.)

Sockets given and taken must be of the same domain type. When GIVESOCKET is giving an AF_INET socket, then TAKESOCKET must only take an AF_INET socket. When GIVESOCKET is giving an AF_INET6 socket, then TAKESOCKET must only take an AF_IENT6 socket. EBADF is set if the socket taken does not match the domain in the tasksocket() request.

After the socket has successfully been transferred, the TCP/IP address space posts an exceptional condition on the parent's socket. The parent uses the SELECT call to test for this condition. When the parent task SELECT call returns with the exception condition on that socket (indicating that the socket has been successfully passed) the parent issues CLOSE to complete the transfer and deallocate the socket from the main task.

To continue the sequence, when another client request comes in, the concurrent server (listener) gets another new socket, passes the new socket to the new subtask, dissociates itself from that connection, and so on.

To summarize, the process of passing the socket is accomplished in the following way:

- After creating a subtask, the server main task issues the GIVESOCKET call to pass the socket to the subtask. If the subtask's address space name and subtask ID are specified in the GIVESOCKET call (as with CICS), only a subtask with a matching address space and subtask ID can take the socket. If this field is set to blanks (as with IMS), any MVS address space requesting a socket can take this socket.
- The server main task then passes the socket descriptor and concurrent server's ID to the subtask using some form of commonly addressable technique such as the IMS Message Queue. the CICS START/RETRIEVE commands.
- The concurrent server issues the SELECT call to determine when the GIVESOCKET has successfully completed.
- The subtask calls TAKESOCKET with the concurrent server's ID and socket descriptor and uses the resulting socket descriptor for communication with the client.
- When the GIVESOCKET has successfully completed, the concurrent server issues the CLOSE call to complete the handoff.

An example of a concurrent server is the CICS listener. It is described in [“CICS application transaction \(IBM listener\)”](#) on page 116. [Figure 5 on page 9](#) shows a concurrent server.

CICS TCP/IP requirements

TCP/IP Services is not described in this document because it is a prerequisite for CICS TCP/IP. However, much material from the TCP/IP library has been repeated in this document in an attempt to make it independent of that library.

A TCP/IP host can communicate with any remote CICS or non-CICS system that runs TCP/IP. The remote system can, for example, run a UNIX or Windows operating system.

CICS TCP/IP components

In terms of CICS operation, the CICS TCP/IP feature is a task-related user exit (TRUE) mechanism known as an adapter. The adapting facility that it provides is between application programs that need to access TCP/IP and the manager of the TCP/IP resource.

CICS TCP/IP has the following main components:

- The **stub program** is link-edited to each application program that wants to use it. It intercepts requests issued by the calling application program and causes CICS to pass control to the TRUE.
- The **TRUE** mechanism enables programs to pass calls to the subtask and to the TCP/IP address space.
- CICS TCP/IP supports two methods for accessing TCP/IP
 - The MVS subtask translates commands for accessing TCP/IP into a form acceptable to the TCP/IP resource manager and then passes control to the resource manager. The subtask also handles the MVS waits incurred during socket calls.
 - Using CICS Open Transaction Environment (OTE). The TRUE mechanism accesses TCP/IP directly, not requiring an MVS subtask for blocking commands.
- The **Administration Routine** contains the EXEC CICS ENABLE and DISABLE commands that are used to install and withdraw the TRUE program.
- The **Configuration System** configures the interface and its listeners.

Summary of what CICS TCP/IP provides

Figure 7 on page 18 shows how CICS TCP/IP allows your CICS applications to access the TCP/IP network. It shows that CICS TCP/IP makes the following facilities available to your application programs:

The socket calls

Socket calls are shown in Steps 1 and 2 in Figure 7 on page 18.

The socket API is available in the C language and in COBOL, PL/I, or assembler language. It includes the following socket calls:

Call type	IP CICS TCP API function
Basic calls:	ACCEPT, BIND, CLOSE, CONNECT, LISTEN, SHUTDOWN
Read/Write calls:	READ, READV, RECV, RECVFROM, RECVMSG, SEND, SENDMSG, SENDTO, WRITE, WRITEV
Advanced calls:	FCNTL, FREEADDRINFO, GETADDRINFO, GETHOSTBYADDR, GETHOSTBYNAME, GETHOSTNAME, GETNAMEINFO, GETPEERNAME, GETSOCKNAME, GETSOCKOPT, IOCTL, NTOP, PTON, SELECT, SELECTEX, SETSOCKOPT
IBM-specific calls:	GETCLIENTID, GIVESOCKET, INITAPI, INITAPIX, TAKESOCKET

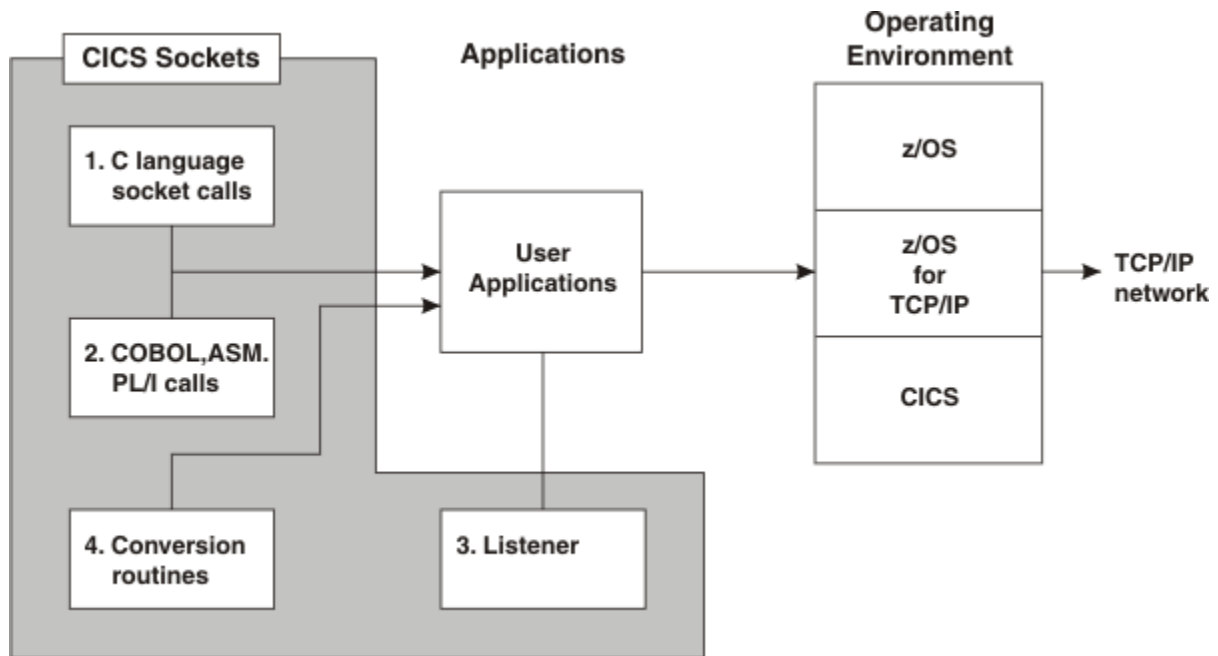


Figure 7. How user applications access TCP/IP networks with CICS TCP/IP (run-time environment)

CICS TCP/IP provides for both connection-oriented and connectionless (datagram) services. CICS does not support the IP (raw socket) protocol.

The IBM listener

CICS TCP/IP includes a concurrent server application, called the IBM listener, which is a CICS transaction that uses the EZACIC02 program to perform its function.

CICS TCP/IP conversion routines

CICS TCP/IP provides the following conversion routines, which are part of the base TCP/IP Services product:

- An EBCDIC-to-ASCII conversion routine that converts EBCDIC data to the ASCII format used in TCP/IP networks and workstations. The routine is run by calling module EZACIC04, which uses an EBCDIC-to-ASCII translation table as described in [z/OS Communications Server: IP Configuration Reference](#).
- A corresponding ASCII-to-EBCDIC conversion routine, EZACIC05, which uses an ASCII-to-EBCDIC translation table as described in [z/OS Communications Server: IP Configuration Reference](#).
- An alternative EBCDIC-to-ASCII conversion routine. It is run by calling EZACIC14, which uses the translation table listed in [“EZACIC14 program” on page 345](#).
- A corresponding alternate ASCII-to-EBCDIC conversion routine, EZACIC15, which uses the translation table listed in [“EZACIC15 program” on page 346](#).

Tip: A sample translation routine is also supplied in the EZACICTR member of the SEZAINST library. You can modify this member to use alternate EBCDIC-to-ASCII and ASCII-to-EBCDIC translations, including custom translations. See comments in the EZACICTR member for more details.

- A module that converts COBOL character arrays into bit-mask arrays used in TCP/IP. This module, which is run by calling EZACIC06, is used with the socket SELECT or SELECTEX call.
- A routine that decodes the indirectly addressed, variable-length list (hostent structure) returned by the GETHOSTBYADDR and GETHOSTBYNAME calls. This function is provided by calling module EZACIC08.
- A routine that decodes the indirectly addressed, variable-length list (addrinfo structure) returned by the GETADDRINFO call. This function is provided by calling module EZACIC09.

Rules for configuring the IBM-supplied listener for IPv6

The following rules apply when configuring the IBM-supplied listener for IPv6:

- You must enable the z/OS system that the IPv6 listener uses for IPv6. See [z/OS Communications Server: IP Configuration Reference](#) for information on IPv6 system configuration.
- Because an IPv6 enabled listener uses the GIVESOCKET API function to give an IPv6 socket to a child server transaction, you must enable that child server transaction program to use IPv6 sockets. This requires that all API functions that use a socket address structure be changed to use the larger IPv6 socket address structure. See Chapter 7, “C language application programming,” on page 137 or Chapter 8, “Sockets extended API,” on page 203 for more information.

If the listener gives the accepted socket to the child server program, the child server program must be able to take that socket. If the listener is defined as an INET6 listener, the EBADF errno is issued if the child server's TAKESOCKET is AF_INET. If the listener is defined as an INET listener, the EBADF errno is issued if the child server's TAKESOCKET is AF_INET6.

- The Security/Transaction Exit program allows the user to examine and change certain pieces of data that are passed to the child server program by the listener.

Table 3 on page 19 illustrates the listener configuration in contrast with the connected client's address family and indicates the contents of the IPv4 and IPv6 IP address fields presented to the Security/Transaction Exit.

Table 3. Security/Transaction Exit program information fields

Listener's AF configuration	Connected Client's AF	Exit's Address Family	Exit's Client's IPv4 address	Exit's Client's IPv6 address	Exit's Listener's IPv4 address	Exit's Listener's IPv6 address
not specified	AF_INET	AF_INET	IPv4 addr	zeros	IPv4 addr	zeros
AF_INET	AF_INET	AF_INET	IPv4 addr	zeros	IPv4 addr	zeros
AF_INET6	AF_INET	AF_INET6	zeros	IPv4 mapped IPv6 addr	zeros	IPv4 mapped IPv6 addr
AF_INET6	AF_INET6	AF_INET6	zeros	IPv6 addr	zeros	IPv6 addr

Monitoring with CICS Explorer

The IBM listener for CICS TCP/IP updates the adapter information when a transaction is started on behalf of an accepted connection. You can use the IBM CICS Explorer to monitor and control these sessions. For more information about the CICS Explorer®, see [CICS Explorer](#).

The following table describes the fields available to the CICS Explorer.

Parameter	Value
ODAPTRID	ID = z/OS COMMUNICATIONS SERVER CICS SOCKETS LISTENER (CSKL)
ODAPTRDATA1	TCP = <i>tcpip name</i>
ODAPTRDATA2	LIP = <i>local_ipaddress</i> LPORT = <i>local port number</i>
ODAPTRDATA3	RIP = <i>remote_ipaddress</i> RPORT = <i>remote port number</i>

Chapter 2. Setting up and configuring CICS TCP/IP

This topic describes the steps required to configure CICS TCP/IP.

It is assumed that both CICS and TCP/IP Services are already installed and operating on MVS.

Before you can start CICS TCP/IP, do the following:

Task	See
Modify the CICS job stream to enable CICS TCP/IP startup.	“Modifying CICS startup (MVS JCL)” on page 23
Define additional files, programs, maps, and transient data queues to CICS using resource definition online (RDO) and the CICS resource management utility DFHCSDUP commands.	“Defining CICS TCP/IP resources” on page 24
Modify TCP/IP Services data sets.	“Modifying data sets for TCP/IP services” on page 42
Use the configuration macro (EZACICD), to build the TCP Configuration data set.	“Building the configuration data set with EZACICD” on page 44
Use the configuration transaction (EZAC) to customize the Configuration data set.	“Customizing the configuration transaction (EZAC)” on page 57
Note: You can modify the data set while CICS is running by using EZAC. See “Customizing the configuration transaction (EZAC)” on page 57 .	

Modifications to the startup of CICS

Figure 8 on page 22 illustrates the modifications required in the CICS startup job stream to enable CICS TCP/IP startup. The numbers in the right margin of the JCL correspond to the modifications that follow.

If you want IP CICS sockets to start at Program Load Table (PLT) phase 2 then include EZACIC20 in an appropriate startup PLT.

- PLTSD=SD

If you want IP CICS sockets to shutdown at PLT phase 1, then include EZACIC20 in an appropriate shutdown PLT.

- PLTPIUSR=PLTUSER

PLT User ID. Specify the appropriate user ID to start the IP CICS socket interface and listeners.

5. The following CICS SIT parameters affect the IP CICS socket interface when it is configured to use the CICS Open Transaction Environment. CICS/TS V2R2 or later is required for this support.

- MAXOPENTCBS=50

When specifying the EZACICD TYPE=CICS,OTE=YES configuration option, carefully consider this value; it is the size of the CICS managed open API, L8, TCB pool. This pool is used by the IP CICS socket interface and other open API-enabled task-related user exits such as Db2®. Use the CEMT SET DISPATCHER command to dynamically alter this value.

- FORCEQR

User programs that are defined to CICS as THREADSAFE are executed on the quasi-reentrant TCB. Use the CEMT SET SYSTEM command to dynamically alter this value.

6. Write the Resolver trace to either a dataset or JES spool.

7. The information is used by IP CICS C Sockets API programs for user messages.

Defining CICS TCP/IP resources

Make the following CICS definitions:

- Transactions
- Programs (see [“Required program definitions to support CICS TCP/IP”](#) on page 26)
- Basic Mapping Support (BMS) mapset (EZACICM, shown in [Figure 23 on page 28](#))
- Files (see [“Updates to file definitions for CICS TCP/IP”](#) on page 31)
- Transient data queues (see [“Defining the TCPM transient data queue for CICS TCP/IP”](#) on page 33)

To ensure that the CICS system definition (CSD) file contains all necessary socket-related resource definitions, you should execute a CSD upgrade (DFHCSDUP) using member EZACICCT in SEZAINST. For information about DFHCSDUP, visit this website: <http://www.ibm.com/software/htp/cics/library/>

Note: For the enhanced listener, more temporary storage is needed to support passing a larger amount of data to the security/transaction exit and to the child server. Depending upon the size of the data defined in the listener configuration, temporary storage should be adjusted accordingly.

Transaction definitions for CICS

Figures [Figure 10 on page 25](#), [Figure 11 on page 25](#), [Figure 12 on page 25](#), and [Figure 13 on page 25](#) show the CICS CSD update (DFHCSDUP) commands to define the four transactions. These commands can be found in *hlq.SEZAINST(EZACICCT)*.

EZAC

Configure the socket interface

EZAO

Enable the socket interface

EZAP

Internal transaction that is invoked during termination of the socket interface

CSKL

Listener task. This is a single listener. Each listener in the same CICS region needs a unique transaction ID.

In the definitions in [“Using storage protection when running with CICS 3.3.0 or later”](#) on page 25, a priority of 255 is suggested. This ensures timely transaction dispatching, and (in the case of CSKL) maximizes the connection rate of clients requesting service.

Using storage protection when running with CICS 3.3.0 or later

When running with CICS 3.3.0 or later on a storage-protection-enabled machine, the EZAP, EZAO, and CSKL transactions must be defined with TASKDATAKEY(CICS). If this is not done, EZAO fails with an ASRA abend code indicating an incorrect attempt to overwrite the CDSA by EZACIC01. The contains more information about storage protection with task-related user exits (TRUEs).

In [Figure 11 on page 25](#), [Figure 12 on page 25](#), and [Figure 13 on page 25](#) note that, if the machine does not support storage protection or is not enabled for storage protection, TASKDATAKEY(CICS) is ignored and does not cause an error.

```
DEFINE TRANSACTION(EZAC)
DESCRIPTION(CONFIGURE SOCKETS INTERFACE)
GROUP(SOCKETS)
PROGRAM(EZACIC23)
TASKDATALOC(ANY) TASKDATAKEY(USER)
```

Figure 10. EZAC, transaction to configure the socket interface

```
DEFINE TRANSACTION(EZAO)
DESCRIPTION(ENABLE SOCKETS INTERFACE)
GROUP(SOCKETS)
PROGRAM(EZACIC00) PRIORITY(255)
TASKDATALOC(ANY) TASKDATAKEY(CICS)
```

Figure 11. EZAO, transaction to enable the socket interface

```
DEFINE TRANSACTION(EZAP)
DESCRIPTION(DISABLE SOCKETS INTERFACE)
GROUP(SOCKETS)
PROGRAM(EZACIC22) PRIORITY(255)
TASKDATALOC(ANY) TASKDATAKEY(CICS)
```

Figure 12. EZAP, transaction to disable the socket interface

```
DEFINE TRANSACTION(CSKL)
DESCRIPTION(LISTENER TASK)
GROUP(SOCKETS)
PROGRAM(EZACIC02) PRIORITY(255)
TASKDATALOC(ANY) TASKDATAKEY(CICS)
```

Figure 13. CSKL, Listener task transaction

Guidelines:

- Use of the IBM-supplied listener is not required.
- You can use a transaction name other than CSKL.
- The TASKDATALOC values for EZAO and EZAP and the TASKDATALOC value for CSKL must all be the same.
- The user ID invoking the EZAO transaction to activate or deactivate the IP CICS socket interface requires the UPDATE access to the EXITPROGRAM resource when CICS command security is active. The user ID invoking the EZAC transaction requires the UPDATE access to the EXITPROGRAM resource to allow the EZAC transaction to perform an IPv6 run-time check when the AF is changed to INET6. Failure to have at least the UPDATE access to the EXITPROGRAM resource causes the IP CICS socket interface and listener to not start or not stop.

Required program definitions to support CICS TCP/IP

Three categories of program are or could be required to support CICS TCP/IP:

- Required programs, CICS definition needed
- Optional programs, CICS definition needed
- Required programs, CICS definition not needed

Required programs, CICS definition needed

You need to define the following 11 programs and 1 mapset to run CICS TCP/IP, or to provide supporting functions:

EZACICM

Has all the maps used by the transactions that enable and disable CICS TCP/IP.

EZACICME

The U.S. English text delivery module.

EZACIC00

The connection manager program. It provides the enabling and disabling of CICS TCP/IP through the transactions EZAO and EZAP.

EZACIC01

The task related user exit (TRUE).

EZACIC02

The listener program that is used by the transaction CSKL. This transaction is started when you enable CICS TCP/IP through the EZAO transaction.

Note: While you do not need to use the IBM-supplied listener, you do need to provide a listener function.

EZACIC20

The initialization and termination front-end module for CICS sockets.

EZACIC21

The initialization module for CICS sockets.

EZACIC22

The termination module for CICS sockets.

EZACIC23

The primary module for the configuration transaction (EZAC).

EZACIC24

The message delivery module for transactions EZAC and EZAO.

EZACIC25

The domain name server (DNS) cache module.

Using storage protection when running CICS 3.3.0 or later

When running with CICS 3.3.0 or higher on a storage-protection-enabled machine, all the required CICS TCP/IP programs (EZACIC00, EZACIC01, and EZACIC02) must have EXECKEY(CICS) as part of their definitions. See <http://www.ibm.com/software/hcp/cics/library/> for more information about storage protection with TRUEs.

Figures Figure 14 on page 27, Figure 15 on page 27, and Figure 16 on page 27 show EZACIC00, EZACIC01, and EZACIC02 defined with EXECKEY(CICS). Note that, if the machine does not support storage protection or is not enabled for storage protection, EXECKEY(CICS) is ignored and does not cause an error.

```

DEFINE PROGRAM(EZACIC00)
DESCRIPTION(PRIMARY PROGRAM FOR TRANSACTION EZAO)
GROUP(SOCKETS)
CEDF(YES) DATALOCATION(ANY) EXECKEY(CICS)
RELOAD(NO) RESIDENT(NO) USELPACOPY(NO)
LANGUAGE(ASSEMBLER) STATUS(ENABLED) USAGE(TRANSIENT)

```

Figure 14. EZACIC00, connection manager program

```

DEFINE PROGRAM(EZACIC01)
DESCRIPTION(TASK RELATED USER EXIT <TRUE> )
GROUP(SOCKETS)
CEDF(YES) DATALOCATION(ANY) EXECKEY(CICS)
RELOAD(NO) RESIDENT(YES) USELPACOPY(NO)
LANGUAGE(ASSEMBLER) STATUS(ENABLED) USAGE(NORMAL)

```

Figure 15. EZACIC01, task related user exit program

```

DEFINE PROGRAM(EZACIC02)
DESCRIPTION(IBM LISTENER)
GROUP(SOCKETS)
CEDF(YES) DATALOCATION(ANY) EXECKEY(CICS)
CONCURRENCY(THREADSAFE)

```

Figure 16. EZACIC02, listener program

```

DEFINE PROGRAM(EZACIC20)
DESCRIPTION(INITIALIZATION/TERMINATION FOR CICS SOCKETS)
GROUP(SOCKETS)
CEDF(YES) DATALOCATION(ANY) EXECKEY(CICS)
RELOAD(NO) RESIDENT(NO) USELPACOPY(NO)
LANGUAGE(ASSEMBLER) STATUS(ENABLED) USAGE(TRANSIENT)

```

Figure 17. EZACIC20, front-end module for CICS sockets

```

DEFINE PROGRAM(EZACIC21)
DESCRIPTION(INITIALIZATION MODULE FOR CICS SOCKETS)
GROUP(SOCKETS)
CEDF(YES) DATALOCATION(ANY) EXECKEY(CICS)
RELOAD(NO) RESIDENT(YES) USELPACOPY(NO)
LANGUAGE(ASSEMBLER) STATUS(ENABLED) USAGE(TRANSIENT)

```

Figure 18. EZACIC21, initialization module for CICS sockets

```

DEFINE PROGRAM(EZACIC22)
DESCRIPTION(TERMINATION MODULE FOR CICS SOCKETS)
GROUP(SOCKETS)
CEDF(YES) DATALOCATION(ANY) EXECKEY(CICS)
RELOAD(NO) RESIDENT(NO) USELPACOPY(NO)
LANGUAGE(ASSEMBLER) STATUS(ENABLED) USAGE(TRANSIENT)

```

Figure 19. EZACIC22, termination module for CICS sockets

```

DEFINE PROGRAM(EZACIC23)
DESCRIPTION(PRIMARY MODULE FOR TRANSACTION EZAC)
GROUP(SOCKETS)
CEDF(YES) DATALOCATION(ANY) EXECKEY(USER)
RELOAD(NO) RESIDENT(NO) USELPACOPY(NO)
LANGUAGE(ASSEMBLER) STATUS(ENABLED) USAGE(TRANSIENT)

```

Figure 20. EZACIC23, primary module for transaction EZAC

```

DEFINE PROGRAM(EZACIC24)
DESCRIPTION(MESSAGE DELIVERY MODULE FOR CICS SOCKETS)
GROUP(SOCKETS)
CEDF(YES) DATALOCATION(ANY) EXECKEY(CICS)
RELOAD(NO) RESIDENT(NO) USELPACOPY(NO)
LANGUAGE(ASSEMBLER) STATUS(ENABLED) USAGE(TRANSIENT)

```

Figure 21. EZACIC24, message delivery module for CICS sockets

```

DEFINE PROGRAM(EZACIC25)
DESCRIPTION(CACHE MODULE FOR THE DOMAIN NAME SERVER)
GROUP(SOCKETS)
CEDF(YES) DATALOCATION(ANY) EXECKEY(USER)
RELOAD(NO) RESIDENT(YES) USELPACOPY(NO)
LANGUAGE(ASSEMBLER) STATUS(ENABLED) USAGE(NORMAL)

```

Figure 22. EZACIC25, domain name server cache module

```

DEFINE MAPSET(EZACICM)
DESCRIPTION(MAPSET FOR CICS SOCKETS INTERFACE)
GROUP(SOCKETS)
RESIDENT(NO) USAGE(TRANSIENT) USELPACOPY(NO)
STATUS(ENABLED)

```

Figure 23. EZACICM, maps used by the EZAO transaction

```

DEFINE PROGRAM(EZACICME)
DESCRIPTION(US ENGLISH TEXT DELIVERY MODULE)
GROUP(SOCKETS)
CEDF(YES) DATALOCATION(ANY) EXECKEY(CICS)
RELOAD(NO) RESIDENT(YES) USELPACOPY(NO)
LANGUAGE(ASSEMBLER) STATUS(ENABLED) USAGE(NORMAL)
CONCURRENCY(THREADSAFE)

```

Figure 24. EZACICME, U.S. English text delivery module

Optional programs, CICS transaction and program definition needed

The six programs in this topic are optional. They are the supplied samples, and they are also in SEZAINST.

EZACICSC

A sample IPv4 child server that works with the IPv4 listener (EZACIC02). See [“EZACICSC” on page 485](#).

EZACICSS

A sample IPv4 iterative server. EZACICSS establishes the connection between CICS and TCP/IP stacks, and receives client requests from workstations. See [“EZACICSS” on page 491](#).

EZACIC6C

A sample IPv6 child server that works with either a standard or enhanced IPv6 listener (EZACIC02). See [“EZACIC6C” on page 507](#).

EZACIC6S

A sample IPv6 iterative server. EZACIC6S establishes the connection between CICS and TCP/IP stacks, and receives client requests from workstations. See [“EZACIC6S” on page 516](#).

EZACICAC

A sample assembler child server that works with either a standard or enhanced, IPv4 or IPv6 listener (EZACIC02). See [“EZACICAC ” on page 535](#).

EZACICAS

A sample assembler iterative server that establishes the connection between CICS and TCP/IP stacks, and accepts either ASCII or EBCDIC, IPv4 or IPv6 (if IPv6 is enabled on the system) client connection requests. See [“EZACICAS ” on page 541](#).

If these sample programs are used, they require DFHCSDUP definitions as shown in [Figure 25 on page 29](#), [Figure 26 on page 29](#) , [Figure 27 on page 29](#), [Figure 28 on page 30](#), [Figure 29 on page 30](#), and [Figure 30 on page 30](#).

```
DEFINE TRANSACTION(SRV1)
DESCRIPTION(SAMPLE STARTED SERVER)
GROUP(SOCKETS)
PROGRAM(EZACICSC)
TASKDATALOC(ANY) TASKDATAKEY(USER)

DEFINE PROGRAM(EZACICSC)
DESCRIPTION(SAMPLE STARTED SERVER)
GROUP(SOCKETS)
CEDF(YES) DATALOCATION(ANY) EXECKEY(USER)
RELOAD(NO) RESIDENT(NO) USELPACOPY(NO)
LANGUAGE(COBOL) STATUS(ENABLED) USAGE(NORMAL)
CONCURRENCY(THREADSAFE)
```

Figure 25. EZACICSC, sample IPv4 child server transaction and program definitions

```
DEFINE TRANSACTION(SRV2)
DESCRIPTION(SAMPLE SERVER)
GROUP(SOCKETS)
PROGRAM(EZACICSS)
TASKDATALOC(ANY) TASKDATAKEY(USER)

DEFINE PROGRAM(EZACICSS)
DESCRIPTION(SAMPLE SERVER FOR TRANSACTION SRV2 )
GROUP(SOCKETS)
CEDF(YES) DATALOCATION(ANY) EXECKEY(USER)
RELOAD(NO) RESIDENT(NO) USELPACOPY(NO)
LANGUAGE(COBOL) STATUS(ENABLED) USAGE(NORMAL)
```

Figure 26. EZACICSS, sample iterative IPv4 server transaction and program definitions

```
DEFINE TRANSACTION(SRV3)
DESCRIPTION(SAMPLE IPV6 CHILD SERVER)
GROUP(SOCKETS)
PROGRAM(EZACIC6C)
TASKDATALOC(ANY) TASKDATAKEY(USER)

DEFINE PROGRAM(EZACIC6C)
DESCRIPTION(SAMPLE IPV6 CHILD SERVER)
GROUP(SOCKETS)
CEDF(YES) DATALOCATION(ANY) EXECKEY(USER)
RELOAD(NO) RESIDENT(NO) USELPACOPY(NO)
LANGUAGE(COBOL) STATUS(ENABLED) USAGE(NORMAL)
CONCURRENCY(THREADSAFE)
```

Figure 27. EZACIC6C, sample IPv6 child server transaction and program definitions

```

DEFINE TRANSACTION(SRV4)
DESCRIPTION(SAMPLE IPV6 SERVER)
GROUP(SOCKETS)
PROGRAM(EZACIC6S)
TASKDATALOC(ANY) TASKDATAKEY(USER)

DEFINE PROGRAM(EZACIC6S)
DESCRIPTION(SAMPLE IPV6 SERVER FOR TRANSACTION SRV4)
GROUP(SOCKETS)
CEDF(YES) DATALOCATION(ANY) EXECKEY(USER)
RELOAD(NO) RESIDENT(NO) USELPACOPY(NO)
LANGUAGE(COBOL) STATUS(ENABLED) USAGE(NORMAL)

```

Figure 28. EZACIC6S, sample iterative IPv6 server transaction and program definitions

```

DEFINE TRANSACTION(SRV5)
DESCRIPTION(SAMPLE ASSEMBLER CHILD SERVER)
GROUP(SOCKETS)
PROGRAM(EZACICAC)
TASKDATALOC(ANY) TASKDATAKEY(USER)

DEFINE PROGRAM(EZACICAC)
DESCRIPTION(SAMPLE ASSEMBLER CHILD SERVER)
GROUP(SOCKETS)
CEDF(YES) DATALOCATION(ANY) EXECKEY(USER)
RELOAD(NO) RESIDENT(NO) USELPACOPY(NO)
LANGUAGE(ASSEMBLER) STATUS(ENABLED) USAGE(NORMAL)
CONCURRENCY(THREADSAFE)

```

Figure 29. EZACICAC, sample assembler child server transaction and program definitions

```

DEFINE TRANSACTION(SRV6)
DESCRIPTION(SAMPLE ASSEMBLER SERVER)
GROUP(SOCKETS)
PROGRAM(EZACICAS)
TASKDATALOC(ANY) TASKDATAKEY(USER)

DEFINE PROGRAM(EZACICAS)
DESCRIPTION(SAMPLE ASSEMBLER SERVER FOR TRANSACTION SRV6 )
GROUP(SOCKETS)
CEDF(YES) DATALOCATION(ANY) EXECKEY(USER)
RELOAD(NO) RESIDENT(NO) USELPACOPY(NO)
LANGUAGE(ASSEMBLER) STATUS(ENABLED) USAGE(NORMAL)

```

Figure 30. EZACICAS, sample assembler server transaction and program definitions

Required programs, CICS definition not needed

The following programs do not need to be defined to CICS:

EZACICAL

The application stub that invokes the TRUE and passes on the CICS application's socket call. This program is in SEZATCP.

EZACIC03

The MVS subtask that passes data between the CICS socket task and the transport interface into TCP/IP for MVS. This program is in SEZALOAD.

Note: If the SEZALOAD load library is included in the LINKLIST, then it does not need to be in the STEPLIB concatenation.

EZACIC07

The application stub that handles the C API for non-reentrant programs. This program is in SEZATCP.

EZACIC17

The application stub that handles the C API for reentrant programs. This program is in SEZATCP.

Threadsafe enablement for to support CICS

The programs in this topic can be defined to CICS as threadsafe. This is particularly important when the IP CICS socket interface is using the CICS Open Transaction Environment. See [“TYPE parameter for](#)

[EZACICD](#)” on page 46 for more information about configuring the IP CICS socket interface to use CICS Open Transaction Environment.

EZACIC02

Enables the listener to initially execute on an open API TCB. Some TCB switching still occurs because CICS commands that are not threadsafe are used.

EZACICME

Enables the message module to initially execute on an open API TCB. Some TCB switching still occurs because CICS commands that are not threadsafe are used.

Sample programs: EZACICSC, EZACIC6C, EZACICAC

These sample child servers contain logic to determine when the IP CICS socket interface is threadsafe, and executes the interface accordingly.

Use the DFHCSDUP commands in SEZAINST(EZACICPT) to change the CICS CONCURRENCY setting for these program definitions on a CICS/TS V2R2 or later system. EZACICPT was originally a duplicate of EZACICCT. It is being reused to contain the ALTER PROGRAM commands.

```
ALTER PROGRAM(EZACIC02)
  DESCRIPTION(IBM LISTENER THREADSAFE)
  GROUP(SOCKETS)
  CONCURRENCY(THREADSAFE)
ALTER PROGRAM(EZACICME)
  DESCRIPTION(US ENGLISH TEXT DELIVERY MODULE THREADSAFE)
  GROUP(SOCKETS)
  CONCURRENCY(THREADSAFE)
ALTER PROGRAM(EZACICSC)
  DESCRIPTION(SAMPLE IPV4 CHILD SERVER THREADSAFE)
  GROUP(SOCKETS)
  CONCURRENCY(THREADSAFE)
ALTER PROGRAM(EZACIC6C)
  DESCRIPTION(SAMPLE IPV6 CHILD SERVER THREADSAFE)
  GROUP(SOCKETS)
  CONCURRENCY(THREADSAFE)
ALTER PROGRAM(EZACICAC)
  DESCRIPTION(SAMPLE ASSEMBLER CHILD SERVER THREADSAFE)
  GROUP(SOCKETS)
  CONCURRENCY(THREADSAFE)
```

Figure 31. ALTER PROGRAM instructions

Use the CEDA INSTALL command to install the new PROGRAM definitions in your CICS system. When you put a new version of the program in your library, you do not need to install the definition again, unless attributes specified on the definition have changed. To make the new version available, use the CEMT transaction:

```
CEMT SET PROGRAM(pgmid) NEWCOPY
```

Updates to file definitions for CICS TCP/IP

The updates to CICS TCP/IP include two files:

- EZACONFG, the sockets configuration file
- EZACACHE, which is required if you want to use the domain name server cache function (EZACIC25)

EZACONFG

Use the following DFHCSDUP commands to define EZACONFG file. The numbers correspond to the notes that follow the sample.

```

DEFINE FILE(EZACONFG)
DESCRIPTION(CICS SOCKETS CONFIGURATION FILE)
GROUP(SOCKETS)
DSNAME(CICS.TCP.CONFIG) 1 LSRPOOLID(1) DSNSHARING(ALLREQS)
STRINGS(01)

REMOTESYSTEM(....) REMOTENAME(.....)
RECORDSIZE(....) KEYLENGTH(...) 2

OPENTIME(STARTUP) 4STATUS(ENABLED)
DISPOSITION(SHARE) TABLE(NO) RECORDFORMAT(V)
READ(YES) BROWSE(YES) ADD(NO)
DELETE(NO) UPDATE(NO) 3
DATABUFFERS(2) INDEXBUFFERS(1) JNLSYNCWRITE(NO)

```

Figure 32. DFHCSDUP commands to define EZACONFG

Note:

1. Choose a DSName to fit installation standards.
2. If you want to have EZACONFG reside in a file owning region (FOR) and be accessed indirectly from an application owning region (AOR), the systems programmer must assure that no CICS socket modules can execute directly in the FOR. That is, do not install any CICS TCP/IP resources other than EZACONFG in the FOR. Otherwise, EZACONFG can become disabled and is not accessible from the AOR
3. If you want to have the EZAC transaction residing in an AOR and indirectly accessing EZACONFG in the FOR, the ADD, DELETE, and UPDATE parameters in the FOR's file definition must be set to YES. The FOR therefore is the only CICS region that can open EZACONFG. Thus, no sharing of EZACONFG between different CICS regions is possible.
4. Specify OPENTIME(FIRSTREF) to reduce the overhead that is incurred when CICS opens non-essential datasets during CICS startup.

EZACACHE

Tip: You can use the caching function provided by the z/OS Communications Server system resolver as an alternative to EZACACHE. For more information, see [Chapter 3, “Configuring the CICS Domain Name Server cache,”](#) on page 79 for more details.

If you want to use the domain name server Cache function (EZACIC25) instead of the system resolver, this definition is required.

Guidelines: The following guidelines apply when you define EZACACHE:

- If you require improved performance for domain name server lookups for both IPv4 and IPv6 resources, you should use the system resolver caching function to obtain the best performance results.
- Using the system resolver caching function provides the following benefits:
 - After a host name is resolved, it is cached locally. All other applications that run in the system can retrieve this information without increasing the network communications.
 - The system resolver caching function honors the time to live (TTL) value, which indicates when the information for a resource record expires.
 - The system resolver can cache IPv4 and IPv6 resources.

Use the following DFHCSDUP commands to define EZACACHE file:

```

DEFINE FILE(EZACACHE)
DESCRIPTION(DOMAIN NAME SERVER CACHE CONFIGURATION FILE)
GROUP(SOCKETS)
DSNAME(EZACACHE) 1 LSRPOOLID(1) DSNSHARING(ALLREQS)
STRINGS(20) 2 OPENTIME(STARTUP) STATUS(ENABLED)
DISPOSITION(OLD) TABLE(USER) RECORDFORMAT(V)
READ(YES) BROWSE(YES) ADD(YES)
DELETE(YES) UPDATE(YES) MAXNUMRECS(4000)
DATABUFFERS(060) 3 INDEXBUFFERS(2000) 4 JNLSYNWRITE(NO)
TABLE(USER) 5 MAXNUMRECS(4000) 6

```

Figure 33. DFHCSDUP commands to define EZACACHE

Note:

1. Choose a DSName to fit installation standards.
2. For strings, specify the maximum number of concurrent users.
3. Databuffers should equal strings multiplied by two.
4. Indexbuffers equals the number of records in the index set.
5. Although it is optional, you should specify TABLE(USER) because it makes the process run faster. For more information about data tables, visit this website: <http://www.ibm.com/software/htp/cics/library/>
6. Maxnumrecs equals the maximum number of destinations queried.

Defining the TCPM transient data queue for CICS TCP/IP

Figure 34 on page 33 shows the DFHCSDUP commands required to define the TCPM transient data queue for CICS TCP/IP. For more information about DFHCSDUP commands, visit this website: <http://www.ibm.com/software/htp/cics/library/>

The destination TCPM can be changed. If it is changed, it must match the name specified in the ERRORTD parameter of the EZAC DEFINE CICS, the EZACICD TYPE=CICS, or both (see “Building the configuration data set with EZACICD” on page 44).

```

DEFINE TDQUEUE(TCPM) GROUP(SOCKETS)
DESCRIPTION(USED FOR SOCKETS MESSAGES)
TYPE(EXTRA)
DATABUFFERS(1)
DDNAME(TCPDATA)
ERROROPTION(IGNORE)
OPENTIME(INITIAL)
TYPEFILE(OUTPUT)
RECORDSIZE(132)
RECORDFORMAT(VARIABLE)
BLOCKFORMAT(UNBLOCKED)
DISPOSITION(SHR)

DEFINE TDQUEUE(TRAA) GROUP(SOCKETS)
DESCRIPTION(USED FOR SOCKETS APPLICATION)
TYPE(INTRA)
ATIFACILITY(FILE)
TRIGGERLEVEL(1)
TRANSID(TRAA)

```

Figure 34. CICS TCP/IP Transient Data Queue definitions

The listener writes to the TCPM queue while CICS TCP/IP is enabled. In addition to this, your own sockets applications can write to this queue using EXEC CICS WRITEQ TD commands. Define an extrapartition transient data queue as shown in Figure 34 on page 33.

The CICS startup JCL must include a DD statement for the extrapartition transient data queue being defined (as in [Modifying CICS startup \(MVS JCL\)](#), line 3).

The listener transaction can start a server using a transient data queue, as described in “IBM listener input format” on page 116. The intrapartition transient data queue definition in Figure 34 on page 33 shows an entry for an application that is started using the trigger-level mechanism of destination control.

CICS monitoring

The CICS Sockets Feature uses the CICS Monitoring Facility to collect data about its operation. There are two collection points: the Task Related User Exit (TRUE) and the listener. This data is collected as Performance Class Data. The TRUE uses Event Monitoring Points (EMPs) with the identifier EZA01 and the listener uses Event Monitoring Points (EMPs) with the identifier EZA02. If the Monitor Control Table entries are not defined, the following records are written to the CICS internal trace when CICS Socket calls are made:

```
*EXC* - Invalid monitoring point
```

When this occurs, the TRUE mechanism and the listener disable use of this specific EMP and no further data is written to SMF. An EMP is dependent on its associated entry in the MCT, so when an EMP is disabled it must be re-enabled as follows:

1. By adding entries to the Monitor Control table
2. Restarting CICS
3. Starting IP CICS socket interface and listener

You can tailor your MCT to monitor events only required by your installation. This can be done by supplying only the MCT entries you require as the TRUE and the listener disables those not coded and continue to execute EMPs matching the entries in the MCT.

See <http://www.ibm.com/software/hcp/cics/library/> for more information about the CICS monitoring facility.

Event monitoring points for the TRUE

The TRUE monitors call activity plus use of reusable, attached or OTE tasks. The call activity is monitored by the following classes of calls:

- Initialization (INITAPI or other first call)
- Read (inbound data transfer) calls
- Write (outbound data transfer) calls
- Select calls
- All other calls

There are counters and clocks for each of these classes. In addition, there are counters for use of reusable tasks, attached tasks and the use of open API tasks.

- Counter/Clock 1 - Initialization Call
- Counter/Clock 2 - Read Call
- Counter/Clock 3 - Write Call
- Counter/Clock 4 - Select Call
- Counter/Clock 5 - Other Call
- Counter 6 - Use of a reusable task
- Counter 7 - Use of an attached task
- Counter 8 - Use of an open API, L8, TCB
- Counter 9 - Number of times at TCBLIM

The following Monitor Control Table (MCT) entries use the event monitoring points in the performance class used by the Task Related User Exit (TRUE). These entries are in *hlq.SEZAINST(EZACIMCT)*.

Figure 35. The Monitor Control Table (MCT) for TRUE

```
DFHMCT TYPE=INITIAL,SUFFIX=SO
```

*

```

* ENTRIES FOR IP CICS SOCKETS TASK-RELATED USER EXIT
*
    DFHMCT TYPE=EMP, ID=(EZA01.01), CLASS=PERFORM,           X
    PERFORM=SCLOCK(1),                                       X
    CLOCK=(1, INIT, READ, WRITE, SELECT, OTHER)
    DFHMCT TYPE=EMP, ID=(EZA01.02), CLASS=PERFORM,           X
    PERFORM=PCLOCK(1)
*
* SOCKET FUNCTIONS READING DATA
*
    DFHMCT TYPE=EMP, ID=(EZA01.03), CLASS=PERFORM,           X
    PERFORM=SCLOCK(2)
    DFHMCT TYPE=EMP, ID=(EZA01.04), CLASS=PERFORM,           X
    PERFORM=PCLOCK(2)
*
* SOCKET FUNCTIONS WRITING DATA
*
    DFHMCT TYPE=EMP, ID=(EZA01.05), CLASS=PERFORM,           X
    PERFORM=SCLOCK(3)
    DFHMCT TYPE=EMP, ID=(EZA01.06), CLASS=PERFORM,           X
    PERFORM=PCLOCK(3)
*
* SOCKET FUNCTIONS SELECTING SOCKETS
*
    DFHMCT TYPE=EMP, ID=(EZA01.07), CLASS=PERFORM,           X
    PERFORM=SCLOCK(4)
    DFHMCT TYPE=EMP, ID=(EZA01.08), CLASS=PERFORM,           X
    PERFORM=PCLOCK(4)
*
* OTHER SOCKET FUNCTIONS
*
    DFHMCT TYPE=EMP, ID=(EZA01.09), CLASS=PERFORM,           X
    PERFORM=SCLOCK(5)
    DFHMCT TYPE=EMP, ID=(EZA01.10), CLASS=PERFORM,           X
    PERFORM=PCLOCK(5)
*
* CICS TASK TERMINATION
*
    DFHMCT TYPE=EMP, ID=(EZA01.13), CLASS=PERFORM,           X
    PERFORM=(MLTCNT(1,5)),                                   X
    COUNT=(1, TINIT, TREAD, TWRITE, TSELECT, TOTHER)
*
* REUSABLE SUBTASK POOL
*
    DFHMCT TYPE=EMP, ID=(EZA01.11), CLASS=PERFORM,           X
    PERFORM=ADDCNT(6,1),                                     X
    COUNT=(6, REUSABLE, ATTACHED, OPENAPI, TCBLIM)
*
* DYNAMICALLY DEFINED SUBTASKS
*
    DFHMCT TYPE=EMP, ID=(EZA01.12), CLASS=PERFORM,           X
    PERFORM=ADDCNT(7,1)
*
* OPEN API
*
    DFHMCT TYPE=EMP, ID=(EZA01.15), CLASS=PERFORM,           X
    PERFORM=ADDCNT(8,1)
*
* TCBLIM
*
    DFHMCT TYPE=EMP, ID=(EZA01.16), CLASS=PERFORM,           X
    PERFORM=ADDCNT(9,1)
*
* CICS TASK INTERFACE TERMINATION
*
    DFHMCT TYPE=EMP, ID=(EZA01.14), CLASS=PERFORM,           X
    PERFORM=(MLTCNT(10,4)),                                  X
    COUNT=(10, TREUSABL, TATTACHE, TOPENAPI, TTCBLIM)

```

In the ID parameter, the following specifications are used:

(EZA01.01)

Start of Initialization Call

(EZA01.02)

End of Initialization Call

(EZA01.03)

Start of Read Call

- (EZA01.04)**
End of Read Call
- (EZA01.05)**
Start of Write Call
- (EZA01.06)**
End of Write Call
- (EZA01.07)**
Start of Select Call
- (EZA01.08)**
End of Select Call
- (EZA01.09)**
Start of Other Call
- (EZA01.10)**
End of Other Call
- (EZA01.11)**
First call to Interface Using Reusable Task
- (EZA01.12)**
First call to Interface Using Attached Task
- (EZA01.13)**
CICS Task Termination
- (EZA01.14)**
CICS socket interface Termination
- (EZA01.15)**
First call to Interface Using an open API TCB
- (EZA01.16)**
Number of times at TCBLIM

Event monitoring points for the listener

The listener monitors the activities associated with connection acceptance and server task startup. Because it uses the TRUE, the data collected by the TRUE can be used to evaluate listener performance.

The listener counts the following events:

- Number of Connection Requested Accepted
- Number of Transactions Started
- Number of Transactions Rejected Due To Invalid Transaction ID
- Number of Transactions Rejected Due To Disabled Transaction
- Number of Transactions Rejected Due To Disabled Program
- Number of Transactions Rejected Due To Givesocket Failure
- Number of Transactions Rejected Due To Negative Response from Security Exit
- Number of Transactions Not Authorized to Run
- Number of Transactions Rejected Due to I/O Error
- Number of Transactions Rejected Due to No Space
- Number of Transactions Rejected Due to TD Length Error

The following Monitor Control Table (MCT) entries use the event-monitoring points in the performance class used by the listener. These entries can be found in *hlq.SEZAINST(EZACIMCL)*.

* ENTRIES FOR IP CICS SOCKETS LISTENER

```

*
*
* NUMBER OF TIMES ACCEPT COMPLETED SUCCESSFULLY
*
*         DFHMCT TYPE=EMP, ID=(EZA02.01), CLASS=PERFORM,           X
*         PERFORM=ADDCNT(1,1), COUNT=(1,CONN)
*
* NUMBER OF CHILD SERVER TASKS STARTED
*
*         DFHMCT TYPE=EMP, ID=(EZA02.02), CLASS=PERFORM,           X
*         PERFORM=ADDCNT(2,1), COUNT=(2,STARTED)
*
* NUMBER OF REQUESTS FOR UNDEFINED CHILD SERVER TRANSACTIONS
*
*         DFHMCT TYPE=EMP, ID=(EZA02.03), CLASS=PERFORM,           X
*         PERFORM=ADDCNT(3,1), COUNT=(3,INVALID)
*
* NUMBER OF REQUESTS FOR DISABLED CHILD SERVER TRANSACTIONS
*
*         DFHMCT TYPE=EMP, ID=(EZA02.04), CLASS=PERFORM,           X
*         PERFORM=ADDCNT(4,1), COUNT=(4,DISTRAN)
*
* NUMBER OF REQUESTS FOR DISABLED CHILD SERVER PROGRAMS
*
*         DFHMCT TYPE=EMP, ID=(EZA02.05), CLASS=PERFORM,           X
*         PERFORM=ADDCNT(5,1), COUNT=(5,DISPROG)
*
* NUMBER OF GIVESOCKET FAILURES
*
*         DFHMCT TYPE=EMP, ID=(EZA02.06), CLASS=PERFORM,           X
*         PERFORM=ADDCNT(6,1), COUNT=(6,GIVESOKT)
*
* NUMBER OF TRMS REJECTED BY THE SECURITY/USER EXIT
*
*         DFHMCT TYPE=EMP, ID=(EZA02.07), CLASS=PERFORM,           X
*         PERFORM=ADDCNT(7,1), COUNT=(7,SECEXIT)
*
* NUMBER OF TIME CHILD SERVER TRANSACTION NOT AUTHORIZED
*
*         DFHMCT TYPE=EMP, ID=(EZA02.08), CLASS=PERFORM,           X
*         PERFORM=ADDCNT(8,1), COUNT=(8,NOTAUTH)
*
* NUMBER OF TRMS TD QUEUE I/O ERROR
*
*         DFHMCT TYPE=EMP, ID=(EZA02.09), CLASS=PERFORM,           X
*         PERFORM=ADDCNT(9,1), COUNT=(9,IOERR)
*
* NUMBER OF TIMES NO SPACE ON CHILD SERVER TD QUEUE
*
*         DFHMCT TYPE=EMP, ID=(EZA02.10), CLASS=PERFORM,           X
*         PERFORM=ADDCNT(10,1), COUNT=(10,NOSPACE)
*
*
* NUMBER OF TIMES LENGTH ERROR ON CHILD SERVER TD QUEUE
*
*         DFHMCT TYPE=EMP, ID=(EZA02.11), CLASS=PERFORM,           X
*         PERFORM=ADDCNT(11,1), COUNT=(11,LENERR)
*
* LISTENER TERMINATION
*
*         DFHMCT TYPE=EMP, ID=(EZA02.12), CLASS=PERFORM,           X
*         PERFORM=(MLTCNT(12,11)),                                X
*         COUNT=(12,TCONN,TSTARTED,TINVALID,TDISTRAN,TDISPROG,TGIVX
*         ESOK,TSECEXIT,TNOTAUTH,TIOERR,TNOSPACE,TLENERR)
*         DFHMCT TYPE=FINAL
*         END

```

Figure 36. The Monitor Control Table (MCT) for listener

In the ID parameter, the following specifications are used:

(EZA02.01)

Completion of ACCEPT call

(EZA02.02)

Completion of CICS transaction initiation

(EZA02.03)

Detection of Invalid Transaction ID

(EZA02.04)

Detection of Disabled Transaction

(EZA02.05)

Detection of Disabled Program

(EZA02.06)

Detection of Givesocket Failure

(EZA02.07)

Transaction Rejection by Security Exit

(EZA02.08)

Transaction Not Authorized

(EZA02.09)

I/O Error on Transaction Start

(EZA02.10)

No Space Available for TD Start Message

(EZA02.11)

TD Length Error

(EZA02.12)

Program Termination

Open TCB measurements

When migrating IP CICS sockets-enabled applications to exploit the CICS Transaction Server Open Transaction Environment it is important to consider that the CPU usage is spent on both the QR TCB and the L8 TCB.

The time spent on the QR TCB can be used on the following:

- Task startup
- Processing a non-threadsafe CICS command
- Processing application code when switched back to the QR TCB
- Processing non-threadsafe subprograms
- Final task processing

The time spent on the L8 TCB can be used on the following:

- OPEN TCB processing
- Processing the EZASOKET call
- Running the application code
- Processing threadsafe CICS commands
- Processing threadsafe subprograms
- TCP/IP processing the socket call

If the application makes use of other non-CICS resources that are enabled to exploit OTE (such as Db2) then that CPU usage time is also accumulated against the QR and L8 TCBs.

If IP CICS sockets is not using OTE, then all the CPU time that is used to process the EZASOKET call occurs on the private MVS subtasks and shows up on the SMF 30 record.

If IP CICS sockets is using OTE, then the CPU time that is used to process the EZASOKET call shows up for the CICS transaction.

Figure 37 on page 39 shows a EZASOKET threadsafe transaction. The numbers correspond to the list that follows the figure.

EZASOKET Threadsafe Transaction

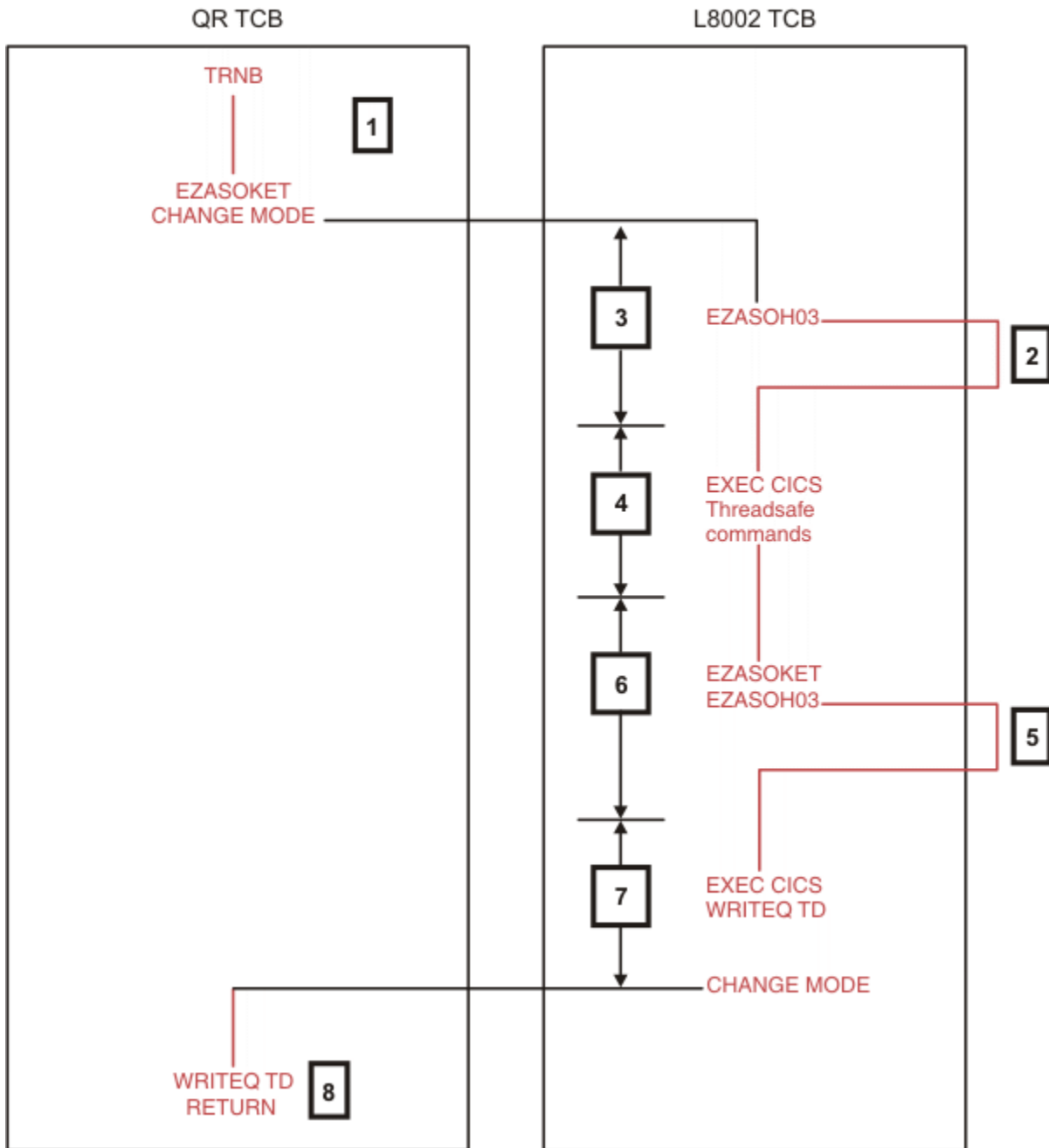


Figure 37. EZASOKET threadsafe transaction

1. Represents the task startup and the application until it issues the first EZASOKET call.
2. Actual time spent in Sockets Extended, processing the first EZASOKET call.
3. Time spent in the resource manager interface (RMI), processing the EZASOKET call
4. Threadsafesafe application code and EXEC CICS commands running.
5. Time spent in Sockets Extended, processing the second EZASOKET call.
6. Time spent in the RMI, processing the second request.
7. Final application code, which issues a non-threadsafesafe EXEC CICS WRITEQ TD command causing a change_mode back to the QR TCB.
8. Final task processing on the QR TCB.

DFHSRT example

Following is an example of the coding required to generate a SRT:

```
DFHSRT TYPE=INITIAL,          *
        SUFFIX=K1
DFHSRT TYPE=SYSTEM,          *
        ABCODE=777,          *
        RECOVER=YES
DFHSRT TYPE=USER,            *
        ABCODE=(888,999),    *
        RECOVER=YES
DFHSRT TYPE=USER,            *
        ABCODE=020
DFHSRT TYPE=FINAL
END
```

CICS TCP/IP security considerations

The following transactions should be added to your xCICSTRN RACF® class:

EZAC

Configure sockets interface.

EZAO

Enable sockets interface.

EZAP

Disable socket interface started by the EZAO, STOP, and YES transactions.

CSKL

Listener. Also, any user defined transactions that execute EZACIC02.

The EZAC and EZAO transactions are designed to be run with a terminal. If you want a user to administer the IP CICS sockets configuration then you must grant the user authorization to the EZAC transaction. If you want a user to manually start and stop the IP CICS socket interface then you must grant the user authorization to the EZAO and EZAP transactions. If you want a user to manually start and stop the listener then you must grant the user authorization to the EZAO and CSKL (and any user defined transaction defined to execute EZACIC02) transactions.

For terminal tasks where a user has not signed on, the user ID is the CICS user ID associated with the terminal and is either:

- The default CICS user ID as specified on the CICS parameter DFLTUSER coded in the CICS System Initialization Table, SIT.
- A preset security user ID specified on the terminal definition.

The IP CICS socket interface can be started and shutdown by placing EZACIC20 in the PLT; therefore, an entry must be placed in your PLT RACF class to allow this action. User ID's that are used to start the IP CICS socket interface include those defined with the PLTPIUSR SIT macro should be allowed USE access to the resource class where the IP CICS sockets transactions are defined. The CICS region user ID must also be authorized to be the surrogate of the user ID specified on the PLTPIUSR parameter.

User ID's used to manage the starting and stopping of the CICS socket interface (EZAO), the listener (CSKL or user defined transactions executing EZACIC02) and user application programs linking to the IP CICS domain name server module, EZACICxx should at least be granted UPDATE access to the EXITPROGRAM resource.

For more information about RACF security management in the CICS environment, see [z/OS Security Server RACF Security Administrator's Guide](#).

Modifying data sets for TCP/IP services

To run CICS TCP/IP, you need to make entries in the *hlq*.PROFILE.TCPIP configuration data set. ⁶

hlq.PROFILE.TCPIP data set

You define the CICS region to TCP/IP on z/OS in the *hlq.PROFILE.TCPIP* data set (described in [z/OS Communications Server: IP Configuration Reference](#) and [z/OS Communications Server: IP Configuration Guide](#)). In it, you must provide entries for the CICS region in the PORT statement, as shown in [Figure 38](#) on page 43.

The format for the PORT statement is:

```
port_number TCP CICS_jobname
```

Write an entry for each port that you want to reserve for an application. [Figure 38](#) on page 43 shows two entries, allocating port number 3000 for SERVA, and port number 3001 for SERVB. SERVA and SERVB are the job names of our CICS regions.

These two entries reserve port 3000 for exclusive use by SERVA and port 3001 for exclusive use by SERVB. The listener transactions for SERVA and SERVB should be bound to ports 3000 and 3001 respectively. Other applications that want to access TCP/IP on z/OS are prevented from using these ports.

Ports that are not defined in the PORT statement can be used by any application, including SERVA and SERVB if they need other ports.

```
;  
; hlq.PROFILE.TCPIP  
; =====  
;  
; This is a sample configuration file for the TCPIP address space.  
; For more information about this file, see "Configuring the TCPIP  
; Address Space" and "Configuring the Telnet Server" in the  
; Customization and Administration Manual.  
; .....  
; .....  
; -----  
; Reserve PORTs for the following servers.  
;  
; NOTE: A port that is not reserved in this list can be used by  
; any user. If you have TCP/IP hosts in your network that  
; reserve ports in the range 1-1023 for privileged  
; applications, you should reserve them here to prevent users  
; from using them.  
PORT  
; .....  
; .....  
3000 TCP SERVA ; CICS Port for SERVA 1  
3001 TCP SERVB ; CICS Port for SERVB
```

Figure 38. Definition of the *hlq.TCPIP* profile

Two different CICS listeners running on the same host can share a port. See the discussion on port descriptions in [z/OS Communications Server: IP Configuration Reference](#) for more information about ports.

hlq.TCPIP.DATA data set

For CICS TCP/IP, you do not have to make any extra entries in *hlq.TCPIP.DATA*. However, you need to check the TCPIPJOBNAME parameter that was entered during TCP/IP Services setup. This parameter is the name of the started procedure used to start the TCP/IP Services address space.

You need it when you initialize CICS TCP/IP (see Chapter 4, “Managing IP CICS sockets,” on page 87). In [Figure 39](#) on page 44, TCPIPJOBNAME is set to TCPV3. The default name is TCPIP.

⁶ Note that in this information, the abbreviation *hlq* stands for high level qualifier. This qualifier is installation dependent.

```

;*****
;
; Name of Data Set:      hlq.TCPIP.DATA          *
;
; This data, TCPIP.DATA, is used to specify configuration *
; information required by TCP/IP client programs.      *
;
;*****
; TCPIPJOBNAME specifies the name of the started procedure which was
; used to start the TCP/IP address space.  TCPIP is the default.
;
TCPIPJOBNAME TCPV3
      .....
      .....
      .....

```

Figure 39. The TCPIPJOBNAME parameter in the hlq.TCPIP.DATA data set

Adding a z/OS UNIX System Services segment

The user ID associated with the CICS/TS region where z/OS IP CICS Sockets is used requires a z/OS UNIX System Services segment. See the information in [z/OS Security Server RACF Security Administrator's Guide](#) and [z/OS UNIX System Services Planning](#) about defining groups and users, user profiles, and the OMVS segment in user profiles for more details about specifying a segment.

Configuring the CICS TCP/IP environment

You need to create data for configuring the CICS TCP/IP environment.

Procedure

The Configuration File contains information about the CICS sockets environment. The file is organized by two types of objects—CICS instances and listeners within those instances. The creation of this data set is done in three stages:

1. Create the empty data set using VSAM IDCAMS (Access Method Services).
2. Initialize the data set using the program generated by the EZACICD macro. The first two steps are described in [“JCL for the configuration macro”](#) on page 55.
3. Add to or modify the data set using the configuration transaction EZAC. This step is described in [“Customizing the configuration transaction \(EZAC\)”](#) on page 57.⁷

Building the configuration data set with EZACICD

The configuration macro (EZACICD) is used to build the configuration data set. This data set can then be incorporated into CICS using resource definition online (RDO) and can be modified using the configuration transactions (see [“Customizing the configuration transaction \(EZAC\)”](#) on page 57). The macro is keyword driven; the TYPE parameter controls the specific function request. The data set contains one record for each instance of CICS that it supports, and one record for each listener. The following is an example of the macros required to create a configuration file for two instances of the CICS socket interface listeners each. The following configuration macro sample is in the SEZAINST data set.

Figure 40. EZACICFG configuration file

```

EZACICD TYPE=INITIAL,      Start of macro assembly input      X
      FILNAME=EZACICDF,    DD name for configuration file      X
      PRGNAME=EZACICDF     Name of batch program to run
EZACICD TYPE=CICS,        CICS record definition              X
      APPLID=CICSPROD,     APPLID of CICS region not using OTE  X
      TCPADDR=TCPIP,       Job/Step name for TCP/IP            X
      PLTSDI=YES,          PLT shutdown method is immediately  X

```

⁷ The EZAC transaction is modeled after the CEDA transaction used by CICS Resource Definition Online (RDO).

NTASKS=20,	Number of subtasks	X
DPRTY=0,	Subtask dispatch priority difference	X
CACHMIN=15,	Minimum refresh time for cache	X
CACHMAX=30,	Maximum refresh time for cache	X
CACHRES=10,	Maximum number of resident resolvers	X
ERRORTD=CSMT,	Transient data queue for error msgs	X
TCBLIM=0,	Open API TCB Limit	X
OTE=NO,	Open Transaction Environment	X
TRACE=NO,	No CICS Trace records	X
APPLDAT=YES,	Register Application Data	X
SMSGSUP=NO,	STARTED Messages Suppressed?	X
TERMLIM=100	Subtask Termination Limit	X
EZACICD TYPE=CICS,	CICS record definition	X
APPLID=CICSPRDB,	APPLID of CICS region using OTE	X
TCPADDR=TCPIP,	Job/Step name for TCP/IP	X
PLTSDI=NO,	PLT shutdown method is deferred	X
CACHMIN=15,	Minimum refresh time for cache	X
CACHMAX=30,	Maximum refresh time for cache	X
CACHRES=10,	Maximum number of resident resolvers	X
ERRORTD=CSMT,	Transient data queue for error msgs	X
TCBLIM=12,	Open API TCB Limit	X
OTE=YES,	Use Open Transaction Environment	X
TRACE=NO,	No CICS Trace records	X
APPLDAT=NO,	No Application Data	X
SMSGSUP=NO	STARTED Messages Suppressed?	X
EZACICD TYPE=LISTENER,	Listener record definition	X
FORMAT=STANDARD,	Standard Listener	X
APPLID=CICSPROD,	Applid of CICS region	X
TRANID=CSKL,	Transaction name for Listener	X
PORT=3010,	Port number for Listener	X
AF=INET,	Listener Address Family	X
IMMED=YES,	Listener starts up at initialization?	X
BACKLOG=20,	Backlog value for Listener	X
NUMSOCK=50,	# of sockets supported by Listener	X
MINMSGSL=4,	Minimum input message length	X
ACCTIME=30,	Timeout value for Accept	X
GIVTIME=30,	Timeout value for Givesocket	X
REETIME=30,	Timeout value for Read	X
RTYTIME=10,	Wait 10 seconds for TCP to come back	X
LAPPLD=YES,	Register Application Data	X
TRANTRN=YES,	Is TRANUSR=YES conditional?	X
TRANUSR=YES,	Translate user data?	X
SECEXIT=EZACICSE	Name of security exit program	X
EZACICD TYPE=LISTENER,	Listener record definition	X
FORMAT=ENHANCED,	Enhanced Listener	X
APPLID=CICSPROD,	Applid of CICS region	X
TRANID=CSKM,	Transaction name for Listener	X
PORT=3011,	Port number for Listener	X
AF=INET,	Listener Address Family	X
IMMED=YES,	Listener starts up at initialization?	X
BACKLOG=20,	Backlog value for Listener	X
NUMSOCK=50,	# of sockets supported by Listener	X
ACCTIME=30,	Timeout value for Accept	X
GIVTIME=30,	Timeout value for Givesocket	X
REETIME=30,	Timeout value for Read	X
RTYTIME=20,	Wait 20 seconds for TCP to come back	X
LAPPLD=INHERIT,	Inherit interface setting	X
CSTRAN=TRN1,	Name of child IPv4 server transaction	X
CSSTYP=KC,	Child server startup type	X
CSDELAY=000000,	Child server delay interval	X
MSGLEN=0,	Length of input message	X
PEEKDAT=NO,	Peek option	X
MSGFORM=ASCII,	Output message format	X
SECEXIT=EZACICSE	Name of security exit program	X
EZACICD TYPE=LISTENER,	Listener record definition	X
FORMAT=STANDARD,	Standard listener	X
APPLID=CICSPRDB,	Applid of CICS region	X
TRANID=CS6L,	Transaction name for listener	X
PORT=3012,	Port number for listener	X
AF=INET6,	Listener Address Family	X
IMMED=YES,	Listener starts up at initialization?	X
BACKLOG=20,	Backlog value for listener	X
NUMSOCK=50,	# of sockets supported by listener	X
MINMSGSL=4,	Minimum input message length	X
ACCTIME=30,	Timeout value for Accept	X
GIVTIME=30,	Timeout value for Givesocket	X
REETIME=30,	Timeout value for Read	X
RTYTIME=0,	Listener will end when TCP ends	X
LAPPLD=NO,	No Application Data	X
TRANTRN=YES,	Is TRANUSR=YES conditional?	X
TRANUSR=YES,	Translate user data?	X
SECEXIT=EZACICSE	Name of security exit program	X

EZACICD TYPE=LISTENER,	Listener record definition	X
FORMAT=ENHANCED,	Enhanced listener	X
APPLID=CICSPRDB,	Applid of CICS region	X
TRANID=CS6M,	Transaction name for listener	X
PORT=3013,	Port number for listener	X
AF=INET6,	Listener Address Family	X
IMMED=YES,	Listener starts up at initialization?	X
BACKLOG=20,	Backlog value for listener	X
NUMSOCK=50,	# of sockets supported by listener	X
ACCTIME=30,	Timeout value for Accept	X
GIVTIME=30,	Timeout value for Givesocket	X
REETIME=30,	Timeout value for Read	X
RTYTIME=0,	Listener will end when TCP ends	X
LAPPLD=INHERIT,	Inherit interface setting	X
CSTRAN=TRN6,	Name of IPv6 child server transaction	X
CSSTYP=KC,	Child server startup type	X
CSDELAY=0000000,	Child server delay interval	X
MSGLEN=0,	Length of input message	X
PEEKDAT=NO,	Peek option	X
MSGFORM=ASCII,	Output message format	X
USERID=USER0001,	Listener User ID	X
SECEXIT=EZACICSE	Name of security exit program	X
EZACICD TYPE=FINAL	End of assembly input	

TYPE parameter for EZACICD

The TYPE parameter controls the function requests and can have the following values:

Value Meaning

INITIAL

Initialize the generation environment. This value should be used only once per generation and it should be in the first invocation of the macro. For subparameters, see [“TYPE=INITIAL setting for the TYPE parameter”](#) on page 46.

CICS

Identify a CICS object. This value corresponds to a specific instance of CICS. Specifying this value creates a configuration record. For subparameters, see [“TYPE=CICS setting for the TYPE parameter”](#) on page 46.

LISTENER

Identify a listener object. This value creates a listener record. For subparameters, see [“TYPE=LISTENER setting for the TYPE parameter”](#) on page 50.

FINAL

Indicates the end of the generation. There are no subparameters.

TYPE=INITIAL setting for the TYPE parameter

When TYPE=INITIAL is specified, the following parameters apply:

Value Meaning

PRGNAME

The name of the generated initialization program. The default value is EZACICDF.

FILNAME

The DDNAME used for the Configuration File in the execution of the initialization program. The default value is EZACICDF.

TYPE=CICS setting for the TYPE parameter

When TYPE=CICS is specified, the following parameters apply:

Value Meaning

APPLDAT

Indicates whether the IP CICS socket interface automatically registers application data that is unique to IP CICS sockets TCP connections. All socket-enabled CICS programs are affected. Listener programs are affected based on the LAPPLD configuration option. See the listener's LAPPLD configuration option for information about configuring listeners to register application data. Possible values for the APPLDAT option are YES and NO; NO is the default when the APPLDAT parameter is not specified. Specify the value APPLDAT=YES to automatically apply application data to the TCP connection when the following socket commands are invoked:

- Before LISTEN or listen()
- Before GIVESOCKET for the IBM listener
- After TAKESOCKET or takesocket()
- After CONNECT or connect()

The IBM listener's optional security exit can override this setting for each accepted connection that is to be given to a child server. Overriding the setting enables application data that is specific to the child server to be registered against the accepted connections. For more information about using the security exit to register application data, see [Chapter 6, "Writing applications that use the IP CICS sockets API,"](#) on page 105 and [Application data in z/OS Communications Server: IP Programmer's Guide and Reference](#). For more information about programming applications, see [Application data in z/OS Communications Server: IP Programmer's Guide and Reference](#). The associated application data is made available on the Netstat ALL/-A, ALLConn/-a and CConn/-c reports, in the SMF 119 TCP connection termination records, and through the network management interface (NMI) on the GetTCPListeners and GetConnectionDetail poll requests. The Netstat and NMI interfaces support new filters for selecting sockets based on wildcard comparisons of the application data. This support can assist in locating application sockets during problem determination and can aid capacity planning and accounting applications to correlate TCP/IP SMF resource records with other applications records. It is the responsibility of the using applications to record the content, format, and meaning of the associated data.

APPLID

The APPLID of the CICS address space in which this instance of CICS/sockets is to run. This field is mandatory.

CACHMAX

The maximum refresh time for the domain name server cache in minutes. This value depends on the stability of your network, that is, the time you would expect a domain name to have the same Internet address. Higher values improve performance but increase the risk of getting an incorrect (expired) address when resolving a name. The value must be greater than CACHMIN. The default value is 30.

CACHMIN

The minimum refresh time for the domain name server cache in minutes. This value depends on the stability of your network, that is, the time you would expect a domain name to have the same Internet address. Higher values improve performance but increase the risk of getting an incorrect (expired) address when resolving a name. The value must be less than CACHMAX. The default value is 15.

CACHRES

The maximum number of concurrent resolvers desired. If the number of concurrent resolvers is equal to or greater than this value, refresh of cache records does not happen unless their age is greater than the CACHMAX value. The default value is 10.

DPRTY

The difference between the dispatching priority of the subtasks and the attaching CICS task. Use this parameter to balance the CPU demand between CICS and the socket interface subtasks. Specifying a nonzero value causes the subtasks to be dispatched at a lower priority than CICS. Use the default value of 0 unless tuning data indicates that CICS is CPU-constrained. This value should be specified as 0 or not specified when OTE=YES is specified because the pool of reusable MVS subtasks is not needed. If DPRTY is specified as a nonzero value and OTE=YES, DPTRY is forced to 0.

ERRORTD

The name of a Transient Data destination to which error messages are written. The default value is CSMT. A check is made when the IP CICS socket interface is initialized to determine whether the

transient data destination is defined to CICS. If the destination is not defined, the interface sends its messages to CSMT.

NTASKS

The number of reusable MVS subtasks that are allocated for this execution. This number should approximate the highest number of concurrent CICS transactions using the TCP/sockets interface, excluding listeners. The default value is 20. This value should be specified as 0 or not specified when OTE=YES is specified because the pool of reusable MVS subtasks is not needed. If NTASKS is specified as a nonzero value and OTE=YES, NTASKS is forced to 0.

OTE

The value for OTE is YES or NO (the default). A value of YES causes the IP CICS sockets task-related user exit to execute using the CICS Open Transaction Environment.

Note: OTE is supported on CICS/TS V2R2M0 and later. If OTE=YES is specified on a pre-CICS/TS V2R2M0 system, the IP CICS socket interface fails initialization.

When OTE=YES is specified, CICS/TS switches all EZASOKET calls and all IP CICS C socket functions from the QR TCB to an L8 TCB. IP CICS sockets applications must be coded using threadsafe programming practices as defined by CICS, and must be defined to CICS as threadsafe. A value of NO causes IP CICS sockets to continue executing EZASOKET calls on an MVS subtask managed by the IP CICS sockets interface. If OTE=YES, the values of NTASKS, DPRTY and TERMLIM are forced to 0 (if specified).

Table 5 on page 48 shows the relationships between the configuration options affected by OTE.

OTE	TCBLIM	NTASKS	DPRTY	TERMLIM
YES	0 then <ul style="list-style-type: none"> No IP CICS sockets applications are subject to TCBLIM IP CICS sockets applications are subject to MAXOPENTCBS 	If specified, forced to 0	If specified, forced to 0	If specified, forced to 0
YES	TCBLIM= MAXOPENTCBS As MAXOPENTCBS takes precedence over TCBLIM, IP CICS sockets applications are suspended by CICS/TS.	If specified, forced to 0	If specified, forced to 0	If specified, forced to 0
YES	1-MAXOPENTCBS	If specified, forced to 0	If specified, forced to 0	If specified, forced to 0
	Not numeric, then MNOTE 12			
NO	0	Using MVS subtasks	Using MVS subtasks	Using MVS subtasks
NO	1-MAXOPENTCBS, forced to 0	Using MVS subtasks	Using MVS subtasks	Using MVS subtasks
If neither YES or NO, then MNOTE 12				

PLTSDI

The IP CICS sockets program load table (PLT) shutdown immediate configuration option. When IP CICS sockets is being shutdown using the EZACIC20 PLT program, then the PLTSDI parameter

specifies whether the interface should shutdown immediately. The values are NO and YES. The default, if not specified, is NO. The value NO specifies a deferred shutdown. The value YES specifies an immediate shutdown. If the PLTSDI parameter is not specified then a deferred shutdown is performed. A deferred shutdown enables all IP CICS sockets tasks to end gracefully. An immediate shutdown directs all IP CICS sockets tasks to be immediately terminated.

SMSGSUP

The value for SMSGSUP is either YES or NO (the default). A value of YES causes messages EZY1318E, EZY1325I, and EZY1330I to be suppressed. A value of NO allows these messages to be issued. If OTE=YES and when SMSGSUP is specified as YES then no TCB switch from the open API TCB to the QR TCB occurs for the messages.

For detailed information about CICS sockets messages, see [Appendix D, “CICS sockets messages,” on page 401](#).

TCBLIM

Specifies the maximum number of open API (L8) TCBs that can be used by the IP CICS socket interface to support socket calls, which, in turn, limits the maximum number of concurrently supported socket calls.

Note: TCBLIM is supported on CICS/TS V2R2M0 and later. If OTE=YES is specified on a pre-CICS/TS V2R2M0 system then the IP CICS socket interface fails initialization.

The CICS MAXOPENTCBS system initialization parameter controls the total number of open API, L8, TCBs that the CICS region can have in operation at any one time. It is relevant when CICS is connected to Db2 Version 6 or later, when open API TCBs are used to run threads into Db2, and when open API TCBs are used to support sockets extended calls into TCP/IP. In the open transaction environment, TCBLIM controls how many open API TCB's can be used by the IP CICS sockets task-related user exit to support socket calls into TCP/IP. The listener is not subjected to this limitation; however, it is subject to MAXOPENTCBS. This allows listeners to be started prohibiting a possible denial of service. If MAXOPENTCBS is reached then no more open API TCBs are available in the CICS region and the IP CICS sockets task-related user exit cannot obtain an open TCB for its use. The default value for TCBLIM is 0. If this value is set to zero and OTE=YES, then the IP CICS socket interface uses the entire open API (L8) pool. This value should be set high enough to accommodate the number of concurrently active child server tasks and the number of concurrently active outbound clients. TCBLIM can be set from 0 to the value specified by CICS's MAXOPENTCBS. If OTE=NO and TCBLIM>0, TCBLIM is forced to 0.

A check is made when the IP CICS socket interface is initialized to determine if TCBLIM>MAXOPENTCBS. If so then TCBLIM is dynamically set to the value specified by MAXOPENTCBS and message EZY1355I is issued and the interface continues to initialize. Use the EZAC configuration transaction to update the configuration to reflect this change or adjust the offending TYPE=CICS,TCBLIM entry in your configuration macro.

Use the EZA Operator transaction to inquire on the current IP CICS socket interface levels and also to dynamically alter the value specified by TCBLIM. When TCBLIM is reached, message EZY1356E is issued. Message EZY1360I is issued after the TCBLIM condition is relieved. See [Table 5 on page 48](#) for more information.

TCPADDR

The name of the z/OS Communication Server TCP/IP address space.

TERMLIM

During a quiescent termination of the CICS sockets interface, the termination program posts unused reusable subtasks (see NTASKS) for termination. TERMLIM specifies the maximum number of these posts that can be issued in a single second. Too low of a TERMLIM value can cause termination to take a long time to complete. Too high of a TERMLIM value can cause the CICS region to ABEND due to storage shortage. The default is 100. A value of 0 causes the default value of 100 to be used. This value should be specified as zero or not specified when OTE=YES is specified as the pool of reusable MVS subtasks are not needed. If TERMLIM is specified as a nonzero value and OTE=YES, TERMLIM is forced to zero.

TRACE

The value for TRACE is either YES (the default) or NO. A value of NO will direct the TRUE and the listener to not generate CICS AP trace records even if CICS trace is active. The value of YES will direct the TRUE and the listener to generate CICS AP trace records which also requires that CICS Trace be active. Trace records are generated only if CICS tracing is active and TRACE=YES. See the *CICS Transaction Server for z/OS CICS Supplied Transactions* publication for guidance on enabling and disabling the CICS trace. See the *CICS Transaction Server for z/OS CICS Operations and Utilities Guide* for guidance printing the CICS trace. Use the EZAO,START|STOP,TRAcE to dynamically enable or disable tracing. Suppressing the generation of trace records after IP CICS sockets application programs are tested and debugged or for normal operations can improve performance.

TYPE=LISTENER setting for the TYPE parameter

When TYPE=LISTENER is specified, the following parameters apply:

ACCTIME

The time in seconds this listener waits for a connection request before checking for a CICS/sockets shutdown or CICS shutdown. The default value is 60. A value of 0 results in the listener continuously checking for a connection request without waiting. Setting this to a high value reduces the resources used to support the listener on a lightly loaded system and consequently lengthens shutdown processing. Conversely, setting this to a low value increases resources used to support the listener but facilitate shutdown processing.

AF

Determines whether the listener being defined supports IPv6 partners and is able to give an IPv6 socket descriptor to an IPv6 child server program. INET6 indicates that the listener gives an IPv6 socket to the child server program. INET, the default, indicates that the listener gives an IPv4 socket to the child server program. Ensure that the child server program performing the TAKESOCKET command matches the domain of the socket being given by the listener.

APPLID

The APPLID value of the CICS object for which this listener is being defined. If this is omitted, the APPLID from the previous TYPE=CICS macro is used.

BACKLOG

The number of unaccepted connections that can be queued to this listener. The default value is 20.

Note: The BACKLOG value specified on the LISTEN call cannot be greater than the value configured by the SOMAXCONN statement in the stack's TCP/IP profile (default=10); no error is returned if a greater BACKLOG value is requested. If you want a larger backlog, update the SOMAXCONN statement. See [z/OS Communications Server: IP Configuration Reference](#) for details.

CSDELAY

This parameter is specific to the enhanced version of the listener and is applicable only if CSSTTYPE is IC. It specifies the delay interval to be used on the EXEC CICS START command, in the form hhmmss (hours/minutes/seconds).

CSSTYP

This parameter is specific to the enhanced version of the listener and specifies the default start method for the child server task. This can be overridden by the security/transaction exit. Possible values are IC, KC, and TD.

IC

Indicates that the child server task is started using EXEC CICS START with the value specified by CSDELAY (or an overriding value from the security/transaction exit) as the delay interval.

KC

Indicates that the child server task is started using EXEC CICS START with no delay interval. This is the default.

TD

Indicates that the child server task is started using the EXEC CICS WRITEQ TD command, which uses transient data to trigger the child server task. If OTE=YES, the listener incurs a TCB switch from an open API TCB to the QR TCB when starting the specified child server transaction.

CSTRAN

This parameter is specific to the enhanced version of the listener and specifies the default child server transaction that the listener starts. This can be overridden by the security/transaction exit. The child server transaction is verified to be defined to CICS and enabled when the listener is started by the EZAO Operator transaction.

FORMAT

The default value of STANDARD indicates that this is the original CICS listener that requires the client to send the standard header. The value of ENHANCED indicates that this is the enhanced CICS listener that does not expect the standard header from the client.

GETTID

The GETTID parameter is provided for the CICS listener that communicates with clients using SSL/TLS (Secure Socket Layer/Transport Layer Security) services available with the Application Transparent Transport Layer Security (AT-TLS) function provided by the TCP/IP stack. Specifically, it allows the listener to receive the user ID that is associated in the system's security product (such as RACF), with the connecting client's SSL certificate. This allows the listener to pass this user ID to the security exit where it can be accepted or overridden.

The GETTID values have the following meaning for the listener:

NO

The listener does not request the client's certificate or user ID. This is the default action for GETTID.

YES

The listener accepts the connection and asks for the client's certificate and user ID if available. If available, the address and the length of the client's certificate are sent to the security exit COMMAREA (if the security exit is specified) to signify that the client's certificate exists along with any received user ID. This allows the security exit to examine the contents. If the user ID is not extracted (either the client certificate does not exist or the client certificate does not contain a user ID), the security exit COMMAREA USERID field contains binary zeros.

GETTID values of YES should be specified only if the following is true:

- AT-TLS is currently enabled by the TCP/IP stack with the TTLS parameter specified on the TCPCONFIG TCP/IP profile statement.
- AT-TLS policy is in effect for connections processed by this listener, and the TTLSEnvironmentAction or TTLSEnvironmentConnectionAction statement associated with the listener must specify the HandshakeRole as ServerWithClientAuth. The level of client authentication for a connection is determined by the TTLSEnvironmentAdvancedParms statement ClientAuthType parameter.

If GETTID is YES then the listener attempts to obtain that user ID. If a user ID is successfully obtained and the start type is task control (KC) or interval control (IC), the listener uses that to initialize the user ID of the child server. The security exit can override it. If there is no security exit or the security exit chooses not to override it, that is the user ID of the child server task unless the start type is transient data (TD).

Note: The user ID under which the listener executes must have CICS RACF surrogate authority to any user ID that it uses to initialize the child server.

See [Application Transparent Transport Layer Security \(AT-TLS\) topic of the z/OS Communications Server: IP Configuration Guide](#) for more information.

GIVTIME

The time in seconds this listener waits for a response to a GIVESOCKET. If this time expires, the listener assumes that either the server transaction did not start or the TAKESOCKET failed. At this time, the listener sends the client a message indicating the server failed to start and close the socket (connection). If this parameter is not specified, the ACCTIME value is used.

IMMED

Specify YES or NO. YES indicates this listener is to be started when the interface starts. NO indicates this listener is to be started independently using the EZAO transaction. The default is YES.

LAPPLD

This optional configuration option indicates whether the IP CICS socket interface automatically registers IP CICS sockets-unique application data for the listener's connection being defined. Both the IBM listener and user written listeners are affected. When defined for the IBM listener then it additionally registers application data against the accepted connections to be given to a child server. Only the listener being defined is affected. The possible values for LAPPLD are YES, NO, or INHERIT (the default). If the LAPPLD option is not specified or specified as INHERIT, then the option inherits the value specified by the APPLDAT configuration option. Alternatively, when LAPPLD is specified as YES or NO, then the option overrides the value specified by the APPLDAT configuration option. When the value of LAPPLD=NO is specified or it inherits the APPLDAT=NO specification, then no application data is automatically registered for the listener being defined. When LAPPLD=YES or it inherits the APPLDAT=YES specification then application data is automatically registered against a socket when the following socket commands are successfully invoked:

- Before LISTEN or listen()
- Before GIVESOCKET for the IBM listener
- After TAKESOCKET or takesocket()
- After CONNECT or connect()

The IBM listener's optional security exit can override this setting for each accepted connection that is to be given to a child server. Overriding the setting enables application data that is specific to the child server to be registered against the accepted connections to be given. For more information about programming applications, see Chapter 6, [“Writing applications that use the IP CICS sockets API,”](#) on page 105 and Application data in [z/OS Communications Server: IP Programmer's Guide and Reference](#). For more information about programming applications, see Application data in [z/OS Communications Server: IP Programmer's Guide and Reference](#). The associated application data is made available on the Netstat ALL/-A, ALLConn/-a and CConn/-c reports, in the SMF 119 TCP connection termination records and through the network management interface (NMI) on the GetTCPListeners and GetConnectionDetail poll requests. The Netstat and NMI interfaces support new filters for selecting sockets based on wildcard comparisons of the application data. This support can assist in locating application sockets during problem determination and can aid capacity planning and accounting applications to correlate TCP/IP SMF resource records with other applications records. It is the responsibility of the using applications to record the content, format, and meaning of the associated data.

Result: Listener configurations defined before V1R9 is set to the value NO.

MINMSG

This parameter is specific to the standard version of the listener. The minimum length of the Transaction Initial Message from the client to the listener. The default value is 4. The listener continues to read on the connection until this length of data has been received. FASTRD handles blocking.

MSGFORM

This parameter is specific to the enhanced version of the listener and indicates whether an error message returned to the client should be in ASCII or EBCDIC. ASCII is the default. MSGFORM is displayed as MSGFORMat on the EZAC screens.

MSGLEN

This parameter is specific to the enhanced version of the listener and specifies the length of the data to be received from the client. The valid range is 0 to 999. If the value is 0, the listener does not read in any data from the client.

NUMSOCK

The number of sockets supported by this listener. One socket is the listening socket. The others are used to pass connections to the servers using the GIVESOCKET call; thus, one less than this number is the maximum number of concurrent GIVESOCKET requests that can be active. The default value is 50. The minimum value is 50.

The number of CICS transactions must be less than what is specified on the MAXFILEPROC parameter on the BPXPRMxx parmlib member. For more detail on setting the MAXFILEPROC parameter, see [z/OS UNIX System Services Planning](#).

PEEKDAT

This parameter is specific to the enhanced version of the listener and applies only if MSGLEN is not 0. A value of NO indicates that the listener performs a normal read of the client data. The child server application accesses this data in the *data area-2* portion of the transaction input message (TIM). A value of YES indicates that the listener reads the data using the peek option; the data remains queued in TCP/IP and the child server applications actually read it in rather than accessing it through the TIM.

PORT

The port number this listener uses for accepting connections. This parameter is mandatory. The ports can be shared. See [z/OS Communications Server: IP Configuration Reference](#) for more information about port sharing.

REETIME

The time in seconds this listener waits for a response to a RECV request. If this time expires, the listener assumes that the client has failed and terminates the connection by closing the socket. If this parameter is not specified, checking for read timeout is not performed.

Result: If REETIME=0 is specified when either the MINMSGL byte value or the MSGLEN byte value is greater than 0, then the listener will wait indefinitely for that number of bytes to arrive before starting a child server task.

RTYTIME

This optional configuration option specifies the length of time, in seconds, that the listener waits after a TCP/IP stack outage occurs before it attempts to connect or reconnect. The value 0 specifies that the listener cleans up any resources and then the listener ends. A value greater than 0 and less than 15 results in a RTYTIME value of 15 seconds; the listener task is delayed 15 seconds before it attempts to connect or reconnect. The stack that it tries to connect to is the stack specified by the listener's IP CICS socket interface TCPADDR configuration option. If the connection fails, then the listener task is delayed for the length of time specified by the RTYTIME parameter. After this interval lapses, the listener attempts to connect to its stack. The listener continues to attempt to connect to the stack until either it succeeds or is terminated by the operator. Valid values are in the range 0 - 999. The default setting is 15 seconds. Table 6 on page 53 shows a summary of the listener's action based on the combination of the RTYTIME value and the state of the listener's TCP stack.

Listener	RTYTIME	TCP down	TCP up
Initially started	0	Listener ends	Listener initializes
	>0	Listener waits	
Previously active	0	Listener ends	
	>0	Listener waits	

SECEXIT

The name of the user written security exit used by this listener. The default is no security exit. The listener uses the EXEC CICS LINK command to give control to the security exit. If OTE=YES then it should be expected that the security exit program is defined to CICS as threadSAFE, implying it is coded to threadSAFE standards. A flag which indicates that the IP CICS socket interface is using CICS's Open Transaction Environment is passed to the security exit. This flag enables the security exit to decide which child server transaction to use and if it should possibly limit its use of non-threadSAFE resources or commands. See ["Writing your own security or transaction link modules for the listener"](#) on page 124 for a thorough discussion on the data passed to the exit. See ["ThreadSAFE considerations for IP CICS sockets applications"](#) on page 129 for more information about coding threadSAFE programs. A check is made to ensure the specified security exit program is defined to CICS and enabled for use when the listener is started by the EZAO Operator transaction.

TRANID

The transaction name for this listener. The default is CSKL.

TRANTRN

This parameter is specific to the standard version of the listener. Specify YES or NO. YES indicates that the translation of the user data is based on the character format of the transaction code. That is, with YES specified for TRANTRN, the user data is translated if and only if TRANUSR is YES and the transaction code is not uppercase EBCDIC. If NO specified for TRANTRN, the user data is translated if and only if TRANUSR is YES. The default value for TRANTRN is YES. See [Table 7 on page 54](#) for more information.

Note: Regardless of how TRANTRN is specified, translation of the transaction code occurs if and only if the first character is not uppercase EBCDIC.

TRANUSR

This parameter is specific to the standard version of the listener. Specify YES or NO. NO indicates that the user data from the Transaction Initial Message should not be translated from ASCII to EBCDIC. YES indicates that the user data can be translated depending on TRANTRN and whether the transaction code is uppercase EBCDIC. The default value for TRANUSR is YES. See [Table 7 on page 54](#) for more information.

Note: Previous implementations functioned as if TRANTRN and TRANUSR were both set to YES. Normally, data on the Internet is ASCII and should be translated. The exceptions are data coming from an EBCDIC client or binary data in the user fields. In those cases, you should set these values accordingly. If you are operating in a mixed environment, use multiple listeners on multiple ports.

[Table 7 on page 54](#) shows how the listener handles translation with different combinations of TRANTRN, TRANUSR, and character format of the transaction code.

Table 7. Conditions for translation of tranid and user data

TRANTRN	TRANUSR	Tranid format	Translate tranid?	Translate user data?
YES	YES	EBCDIC	NO	NO
YES	NO	EBCDIC	NO	NO
NO	YES	EBCDIC	NO	YES
NO	NO	EBCDIC	NO	NO
YES	YES	ASCII	YES	YES
YES	NO	ASCII	YES	NO
NO	YES	ASCII	YES	YES
NO	NO	ASCII	YES	NO

USERID

The 8-character user ID under which the listener runs. If this parameter is not specified, then the listener task obtains the user ID from either the CICS PLT user ID (if the listener is started by way of the CICS PLT) or the ID of the user that invoked the EZAO transaction (if the listener is started using the EZAO transaction). If this parameter is specified, then any user that starts the listener (the PLT user if the listener is started using the PLT) must have surrogate security access to this user ID. This user ID has to be permitted to any resources the listener accesses such as child server transactions and programs. See the [z/OS Security Server RACF Security Administrator's Guide](#) for details.

The value specified for the user ID's FILEPROC MAX parameter should be configured appropriately. If the number of sockets that the listener creates exceeds FILEPROC MAX value on the listener's user ID, then the listener stops accepting new sockets until the number of active sockets is equal to or less than the FILEPROC MAX value. For more information about the FILEPROC MAX specification, see the documentation provided for the SAF product in use on your system. If you are using RACF, see [z/OS Security Server RACF Security Administrator's Guide](#).

JCL for the configuration macro

The configuration macro is used as part of a job stream to create and initialize the configuration file. The job stream consists of IDCAMS steps to create the file, the assembly of the initialization module generated by the configuration macro, linking of the initialization module, and execution of the initialization module that initializes the file.

The following sample in the SEZAINST data set illustrates a job stream that is used to define a configuration file.

Figure 41. CICSVSAM JCL to define a configuration file

```
//CONFIG JOB (accounting,information),programmer.name,
//          MSGLEVEL=(1,1),MSGCLASS=A,CLASS=A
//*
//* z/OS Communications Server
//* SMP/E distribution name: EZACIVSM
//*
//* Licensed Materials - Property of IBM
//* "Restricted Materials of IBM"
//* 5694-A01
//* Copyright IBM Corp. 2000,2009
//*
//* Status = CSV1R11
//*
//* Function: This job defines and then loads the VSAM
//* file used for the CICS TCP configuration. The job stream
//* has the following steps:
//*
//* 1. Delete a configuration file if one exists
//* 2. Define the VSAM configuration file to VSAM
//* 3. Assemble the initialization program
//* 4. Link the initialization program
//* 5. Execute the initialization program to load the
//* VSAM configuration file
//*
//* ----- Delete old copy of file if any.
//*
//DEL EXEC PGM=IDCAMS
//SYSPRINT DD SYSOUT=*
//SYSIN DD *
DELETE -
CICS.TCP.CONFIG -
PURGE -
ERASE
//*
//* ----- Define the new file
//*
//DEFINE EXEC PGM=IDCAMS
//SYSPRINT DD SYSOUT=*
//SYSIN DD *
DEFINE CLUSTER (NAME(CICS.TCP.CONFIG) VOLUMES(CICSVOL) -
CYL(1 1) -
RECORDSIZE(150 150) FREESPACE(0 15) -
INDEXED ) -
DATA ( -
NAME(CICS.TCP.CONFIG.DATA) -
KEYS (16 0) ) -
INDEX ( -
NAME(CICS.TCP.CONFIG.INDEX) )
//*
//*
//* ----- Assemble the initialization program
//*
//ASM EXEC PGM=ASMA90,PARM='OBJECT,TERM',REGION=1024K
//SYSLIB DD DISP=SHR,DSNAME=SYS1.MACLIB
// DD DISP=SHR,DSNAME=TCP/IP.SEZACMAC
//SYSUT1 DD UNIT=SYSDA,SPACE=(CYL,(5,1))
//SYSUT2 DD UNIT=SYSDA,SPACE=(CYL,(2,1))
//SYSUT3 DD UNIT=SYSDA,SPACE=(CYL,(2,1))
//SYSPUNCH DD DISP=SHR,DSNAME=NULLFILE
```

```

//SYSLIN DD DSNAME=&&OBJSET,DISP=(MOD,PASS),UNIT=SYSDA,
//          SPACE=(400,(500,50)),
//          DCB=(RECFM=FB,BLKSIZE=400,LRECL=80)
//SYSTEM DD SYSOUT=*
//SYSPRINT DD SYSOUT=*
//SYSIN DD *
EZACICD TYPE=INITIAL,      Initialize generation environment      X
      PRGNAME=EZACICDF,    Name of the generated program          X
      FILNAME=EZACONFG     DD name of the configuration file
EZACICD TYPE=CICS,        Generate configuration record          X
      APPLID=CICS01,       APPLID of CICS                        X
      TCPADDR=TCPIP,       Address space name for TCP/IP         X
      NTASKS=20,           Number of reusable MVS subtasks      X
      DPRTY=10,            Priority difference (CICS-Subtask)    X
      CACHMIN=10,          Minimum refresh time for CACHE      X
      CACHMAX=20,          Maximum refresh time for CACHE      X
      CACHRES=5,           Maximum number of active resolvers   X
      ERRORTD=CSKN        Name of TD queue for error messages
EZACICD TYPE=LISTENER,    Create Listener Record                X
      FORMAT=STANDARD,     Standard Listener                    X
      APPLID=CICS01,       APPLID of CICS                        X
      TRANID=CSKL,         Use standard transaction ID          X
      PORT=3010,           Use port number 3010                 X
      AF=INET,             Listener Address Family              X
      IMMED=YES,           Listener starts up at initialization?X
      BACKLOG=40,          Set backlog value to 40              X
      NUMSOCK=50,          # of sockets supported by Listener   X
      MINMSGL=4,           Minimum input message length         X
      ACCTIME=30,          Set timeout value to 30 seconds      X
      GIVTIME=10,          Set givesocket timeout to 10 seconds X
      REATIME=300,         Set read timeout to 5 minutes        X
      RTYTIME=10,          Wait 10 seconds for TCP to come back X
      LAPPLD=YES,          Register Application Data            X
      TRANTRN=YES,         Is TRANUSR=YES conditional?          X
      TRANUSR=YES,         Translate user data?                 X
      SECEXIT=EZACICSE    Name of security exit program
EZACICD TYPE=LISTENER,    Listener record definition            X
      FORMAT=ENHANCED,     Enhanced listener                    X
      APPLID=CICS01,       Applid of CICS region                X
      TRANID=CSKM,         Transaction name for listener        X
      PORT=3011,           Port number for listener             X
      AF=INET,             Listener Address Family              X
      IMMED=YES,           Listener starts up at initialization?X
      BACKLOG=20,          Backlog value for listener           X
      NUMSOCK=50,          # of sockets supported by listener   X
      ACCTIME=30,          Timeout value for Accept              X
      GIVTIME=30,          Timeout value for Givesocket         X
      REATIME=30,          Timeout value for Read                X
      RTYTIME=20,          Wait 20 seconds for TCP to come back X
      LAPPLD=INHERIT,      Inherit interface setting            X
      CSTRAN=TRN1,         Name of child IPv4 server transactionX
      CSSTYP=KC,           Child server startup type            X
      CSDelay=0000000,     Child server delay interval         X
      MSGLEN=0,            Length of input message              X
      PEEKDAT=NO,          Peek option                           X
      MSGFORM=ASCII,       Output message format                X
      SECEXIT=EZACICSE    Name of security exit program
EZACICD TYPE=LISTENER,    Listener record definition            X
      FORMAT=STANDARD,     Standard listener                    X
      APPLID=CICS01,       Applid of CICS region                X
      TRANID=CS6L,         Transaction name for listener        X
      PORT=3012,           Port number for listener             X
      AF=INET6,            Listener Address Family              X
      IMMED=YES,           Listener starts up at initialization?X
      BACKLOG=20,          Backlog value for listener           X
      NUMSOCK=50,          # of sockets supported by listener   X
      MINMSGL=4,           Minimum input message length         X
      ACCTIME=30,          Timeout value for Accept              X
      GIVTIME=30,          Timeout value for Givesocket         X
      REATIME=30,          Timeout value for Read                X
      RTYTIME=0,           Listener will end when TCP ends      X

```

```

LAPPLD=NO,          No Application Data          X
TRANTRN=YES,       Is TRANUSR=YES conditional?      X
TRANUSR=YES,       Translate user data?          X
SECEXIT=EZACICSE  Name of security exit program
EZACICD TYPE=LISTENER, Listener record definition      X
FORMAT=ENHANCED,  Enhanced listener                X
APPLID=CICS01,    Applid of CICS region              X
TRANID=CS6M,      Transaction name for listener      X
PORT=3013,        Port number for listener           X
AF=INET6,         Listener Address Family           X
IMMED=YES,        Listener starts up at initialization?X
BACKLOG=20,       Backlog value for listener          X
NUMSOCK=50,       # of sockets supported by listener X
ACCTIME=30,       Timeout value for Accept             X
GIVTIME=30,       Timeout value for Givesocket        X
REATIME=30,       Timeout value for Read              X

RTYTIME=0,        Listener will end when TCP ends      X
LAPPLD=INHERIT,   Inherit interface setting          X

CSTRAN=TRN6,      Name of child IPv6 server transactionX
CSSTYP=KC,        Child server startup type          X
CSDELAY=000000,   Child server delay interval         X
MSGLEN=0,         Length of input message              X
PEEKDAT=NO,       Peek option                          X
MSGFORM=ASCII,    Output message format              X

USERID=USER0001,  Listener User ID                    X

SECEXIT=EZACICSE  Name of security exit program
EZACICD TYPE=FINAL

/*
/**
/** ----- Link the initialization program
/**
/** LINK EXEC PGM=IEWL,PARM='LIST,MAP,XREF',
/** REGION=512K,COND=(4,LT,ASM)
/**SYSPRINT DD SYSOUT=*
/**SYSUT1 DD SPACE=(CYL,(5,1)),DISP=(NEW,PASS),UNIT=SYSDA
/**SYSLMOD DD DSNNAME=&&LOADSET(EZACICDF),DISP=(MOD,PASS),UNIT=SYSDA,
/** SPACE=(TRK,(1,1,1)),
/** DCB=(DSORG=PO,RECFM=U,BLKSIZE=32760)
/**SYSLIN DD DSNNAME=&&OBJSET,DISP=(OLD,DELETE)
/**
/** ----- Execute the initialization program
/**
/**FILELOAD EXEC PGM=*.LINK.SYSLMOD,
/** COND=((4,LT,DEFINE),(4,LT,ASM),(4,LT,LINK))
/**EZACONFG DD DSNNAME=CICS.TCP.CONFIG,DISP=OLD
/**

```

Customizing the configuration transaction (EZAC)

There is a CICS object for each CICS that uses the TCP/IP socket interface and is controlled by the configuration file. The CICS object is identified by the APPLID of the CICS it references.

There is a listener object for each listener defined for a CICS. It is possible that a CICS does not have a listener, but this is not common practice. A CICS can have multiple listeners that are either multiple instances of the supplied listener with different specifications, multiple user-written listeners, or some combination.

The EZAC transaction is a panel-driven interface that lets you add, delete, or modify the configuration file. [Table 8 on page 58](#) lists and describes the functions supported by the EZAC transaction.

Modifying data sets: You can use the EZAC transaction to modify the configuration data set while CICS is running.

Table 8. Functions supported by the EZAC transaction

Command	Object	Function
ALTER	CICS/listener	Modifies the attributes of an existing resource definition
CONVERT	Listener	Converts listener from the standard listener that requires the standard header to the enhanced listener that does not require the header.
COPY	CICS/listener	<ul style="list-style-type: none"> • CICS - Copies the CICS object and its associated listeners to create another CICS object. COPY fails if the new CICS object already exists. • Listener - Copies the listener object to create another listener object. COPY fails if the new listener object already exists.
DEFINE	CICS/listener	Creates a new resource definition
DELETE	CICS/listener	<ul style="list-style-type: none"> • CICS - Deletes the CICS object and all of its associated listeners. • Listener - Deletes the listener object.
DISPLAY	CICS/listener	Shows the parameters specified for the CICS/listener object.
RENAME	CICS/listener	Performs a COPY followed by a DELETE of the original object.

If you enter EZAC, the following screen is displayed:

```

EZAC,                                     APPLID = .....
Enter One of the Following

ALTer
CONvert
COpy
DEFine
DELete
DISplay
REName

PF 3 END                                     12 CNCL
    
```

Figure 42. EZAC initial screen

ALTER function for EZAC

The ALTER function is used to change CICS objects or their listener objects. If you specify ALTer on the EZAC Initial Screen or enter EZAC,ALT on a blank screen, the following screen is displayed:

```
EZAC,ALTer,                                APPLID = .....
Enter One of the Following
CICS
LISTENER

PF 3 END                                    12 CNCL
```

Figure 43. EZAC,ALTER screen

Note: You can skip this screen by entering either EZAC,ALTER,CICS or EZAC,ALTER,LISTENER.

ALTER,CICS

For alteration of a CICS object, the following screen is displayed:

```
EZAC,ALTer,CICS                                APPLID = .....
Enter all fields

APPLID      ==> .....          APPLID of CICS System

PF 3 END                                    12 CNCL
```

Figure 44. EZAC,ALTER,CICS screen

After the APPLID is entered, the following screen is displayed:

```

EZAC,ALTer,CICS                                APPLID = .....

Overtype to Enter

APPLID      ===> .....      APPLID of CICS System
TCPADDR     ===> .....      Name of TCP Address Space
NTASKS      ===> ...        Number of Reusable Tasks
DPRTY       ===> ...        DPRTY Value for ATTACH
CACHMIN     ===> ...        Minimum Refresh Time for Cache
CACHMAX     ===> ...        Maximum Refresh Time for Cache
CACHRES     ===> ...        Maximum Number of Resolvers
ERRORTD     ===> ....      TD Queue for Error Messages
SMSGSUP     ===> ...        Suppress Task Started Messages
TERMLIM     ===> ...        Subtask Termination Limit
TRACE       ===> ...        Trace CICS Sockets
OTE         ===> ...        Open Transaction Environment
TCBLIM     ===> .....      Number of open API TCBS
PLTSDI     ===> ...        CICS PLT Shutdown Immediate
APPLDAT     ===> ...        Register Application Data

Press ENTER or PF3 to exit

PF 3 END                                12 CNCL

```

Figure 45. EZAC,ALTER,CICS detail screen

The system requests a confirmation of the values displayed. After the changes are confirmed, the changed values are in effect for the next initialization of the CICS sockets interface.

ALTER,LISTENER

For alteration of a listener, the following screen is displayed:

```

EZAC,ALTer,LISTENER                            APPLID = .....

Enter all fields

APPLID      ===> .....      APPLID of CICS System
TRANID      ===> ....      Transaction Name of listener

PF 3 END                                12 CNCL

```

Figure 46. EZAC,ALTER,LISTENER screen

If you are altering a standard listener, the first screen shows the attributes of the standard listener:

```

EZAC,ALTER,LISTENER (standard listener.  screen 1 of 2)      APPLID = .....

Overtyp e to Enter

APPLID      ===> .....      APPLID of CICS System
TRANID      ===> .....      Transaction Name of listener
PORT        ===> .....      Port Number of listener
AF          ===> .....      Listener Address Family
IMMEDIATE   ===> ...        Immediate Startup  Yes|No
BACKLOG     ===> ...        Backlog Value for listener
NUMSOCK     ===> ...        Number of Sockets in listener
ACCTIME     ===> ...        Timeout Value for ACCEPT
GIVTIME     ===> ...        Timeout Value for GIVESOCKET
REATIME     ===> ...        Timeout Value for READ
RTYTIME     ===> ...        Stack Connection Retry Time
LAPPLD      ===> ...        Register Application Data

Verify parameters, press PF8 to go to screen 2
                        or ENTER if finished making changes

PF 3 END                8 NEXT                12 CNCL

```

Figure 47. EZAC,ALTER,LISTENER detail screen 1- Standard listener

Pressing PF8 displays the screen used to manage the unique attributes of the standard listener

```

EZAC,ALTER,LISTENER (standard listener.  screen 2 of 2)      APPLID = .....

Overtyp e to Enter

MINMSGL     ===> ...        Minimum Message Length
TRANTRN     ===> ...        Translate TRNID  Yes|No
TRANUSR     ===> ...        Translate User Data Yes|No
SECEXIT     ===> .....      Name of Security Exit
GETTID      ===> ...        Get TTLS ID (YES|NO)
USERID      ===> .....      Listeners User ID

Verify parameters, press PF7 to go back to screen 1
                        or ENTER if finished making changes

PF 3 END                7 PREV                12 CNCL

```

Figure 48. EZAC,ALTER,LISTENER detail screen 2: Standard listener

Pressing PF7 displays the screen used to manage the common attributes of the standard listener. If altering an enhanced listener, then the first screen shows the attributes of the enhanced listener.

```

EZAC,ALTer,LISTENER (enhanced listener.  screen 1 of 2)      APPLID = .....

Overtime to Enter

APPLID      ===> .....      APPLID of CICS System
TRANID      ===> ....      Transaction Name of listener
PORT        ===> .....      Port Number of listener
AF          ===> .....      Listener Address Family
IMMEDIATE   ===> ...       Immediate Startup  Yes|No
BACKLOG     ===> ...       Backlog Value for listener
NUMSOCK     ===> ...       Number of Sockets in listener
ACCTIME     ===> ...       Timeout Value for ACCEPT
GIVTIME     ===> ...       Timeout Value for GIVESOCKET
REATIME     ===> ...       Timeout Value for READ
RTYTIME     ===> ...       Stack Connection Retry Time
LAPPLD      ===> ...       Register Application Data

Verify parameters, press PF8 to go to screen 2

PF 3 END                8 NEXT                12 CNCL

```

Figure 49. EZAC,ALTER,LISTENER detail screen 1- Enhanced listener

Pressing PF8 displays the screen used to manage the unique attributes of the enhanced listener.

```

EZAC,ALTer,LISTENER (enhanced listener.  screen 2 of 2)      APPLID = .....

Overtime to Enter

CSTRAN      ===> ....      Child Server Transaction Name
CSSTYP      ===> ..       Startup Method (KC|IC|TD)
CSDELAY     ===> .....      Delay Interval (hhmmss)
MSGLEngth   ===> ...       Message Length (0-999)
PEEKDATA    ===> ...       Enter Y|N
MSGFORMat   ===> .....      Enter ASCII|EBCDIC
USEREXIT    ===> .....      Name of User/Security exit
GETTID      ===> ...       Get TTLS ID (YES|NO)
USERID      ===> .....      Listeners User ID

Verify parameters, press PF7 to go back to screen 1
or ENTER if finished making changes

PF 3 END                7 PREV                12 CNCL

```

Figure 50. EZAC,ALTER,LISTENER detail screen 2: Enhanced listener

Pressing PF7 displays the screen used to manage the common attributes of the enhanced listener.

The system requests a confirmation of the values displayed. After the changes are confirmed, the changed values is in effect for the next initialization of the CICS sockets interface.

CONVERT function for EZAC

The CONVERT function is used to convert between standard and enhanced versions of the listener. If you specify CONVert on the EZAC Initial Screen or enter EZAC,CON on a blank screen, the following screen is displayed:


```

EZAC,CONvert,LISTENER                                APPLID = .....
Enter all fields

APPLID      ===> .....                                APPLID of CICS System
TRANID      ===> ...                                  Transaction Name of listener
Format      ===> STANDARD                             Enter STANDARD|ENHANCED

PF 3 END                                           12 CNCL

```

Figure 51. EZAC,CONVERT,LISTENER screen

After the names and format type are entered, one of the following screens is displayed. The first screen is displayed for the standard version.

If converting to a standard listener, then the first screen shows the attributes of the standard listener.

```

EZAC,CONvert,LISTENER (standard listener.  screen 1 of 2)  APPLID = .....
Overtyp e to Enter

APPLID      ===> .....                                APPLID of CICS System
TRANID      ===> ...                                  Transaction Name of listener
PORT        ===> ...                                  Port Number of listener
AF          ===> ...                                  Listener Address Family
IMMEDIATE   ===> ...                                  Immediate Startup   Yes|No
BACKLOG     ===> ...                                  Backlog Value for listener
NUMSOCK     ===> ...                                  Number of Sockets in listener
ACCTIME     ===> ...                                  Timeout Value for ACCEPT
GIVTIME     ===> ...                                  Timeout Value for GIVESOCKET
REATIME     ===> ...                                  Timeout Value for READ
RTYTIME     ===> ...                                  Stack Connection Retry Time
LAPPLD      ===> ...                                  Register Application Data

Verify parameters, press PF8 to go to screen 2

PF 3 END                                           8 NEXT                                           12 CNCL

```

Figure 52. EZAC,CONVERT,LISTENER detail screen 1- Standard listener

Pressing PF8 displays the screen used to manage the unique attributes of the standard listener.

```

EZAC,CONVERT,LISTENER (standard listener.  screen 2 of 2)  APPLID = .....

Overtyp e to Enter

MINMSGL      ===> ...           Minimum Message Length
TRANTRN      ===> ...           Translate TRNID      Yes|No
TRANUSR      ===> ...           Translate User Data Yes|No
SECEXIT      ===> .....        Name of Security Exit
GETTID       ===> ...           Get TTLS ID  (YES|NO)
USERID       ===> .....        Listeners User ID

Verify parameters, press PF7 to go back to screen 1
or ENTER if finished making changes

PF 3 END          7 PREV          12 CNCL

```

Figure 53. EZAC,CONVERT,LISTENER detail screen 2: Standard listener

Pressing PF7 displays the screen used to manage the common attributes of the standard listener. If converting to an enhanced listener, the first screen shows the attributes of the enhanced listener.

```

EZAC,CONVERT,LISTENER (enhanced listener.  screen 1 of 2)  APPLID = .....

Overtyp e to Enter

APPLID       ===> .....        APPLID of CICS System
TRANID       ===> ....         Transaction Name of listener
PORT         ===> .....        Port Number of listener
AF           ===> ....         Listener Address Family
IMMEDIATE    ===> ...           Immediate Startup  Yes|No
BACKLOG      ===> ...           Backlog Value for listener
NUMSOCK      ===> ...           Number of Sockets in listener
ACCTIME      ===> ...           Timeout Value for ACCEPT
GIVTIME      ===> ...           Timeout Value for GIVESOCKET
REETIME      ===> ...           Timeout Value for READ
RTYTIME      ===> ...           Stack Connection Retry Time
LAPPLD       ===> ...           Register Application Data

Verify parameters, press PF8 to go to screen 2

PF 3 END          8 NEXT          12 CNCL

```

Figure 54. EZAC,CONVERT,LISTENER detail screen 1- Enhanced listener

Pressing PF8 displays the screen used to manage the unique attributes of the enhanced listener

```

EZAC,CONVERT,LISTENER (enhanced listener.  screen 2 of 2)  APPLID = .....

Overtyp e to Enter

CSTRAN      ===> ....      Child Server Transaction Name
CSSTYP      ===> ..       Startup Method (KC|IC|TD)
CSDELAY     ===> .....    Delay Interval (hhmmss)
MSGLENgth  ===> ...      Message Length (0-999)
PEEKDATAa  ===> ...      Enter Y|N
MSGFORMat  ===> .....    Enter ASCII|EBCDIC
USEREXIT   ===> .....    Name of User/Security exit
GETTID     ===> ...      Get TTLS ID (YES|NO)
USERID     ===> .....    Listeners User ID

Verify parameters, press PF7 to go back to screen 1
or ENTER if finished making changes

PF 3 END          7 PREV          12 CNCL

```

Figure 55. EZAC,CONVERT,LISTENER detail screen 2: Enhanced listener

Pressing PF7 displays the screen used to manage the common attributes of the enhanced listener.

The system requests a confirmation of the values displayed. After the changes are confirmed, the changed values are in effect for the next initialization of the CICS sockets interface.

COPY function for EZAC

The COPY function is used to copy an object into a new object. If you specify COPY on the EZAC Initial Screen or enter EZAC,COP on a blank screen, the following screen is displayed:

```

EZAC,COPy,                                     APPLID = .....

Enter One of the Following

CICS
LISTENER

PF 3 END          12 CNCL

```

Figure 56. EZAC,COPY screen

Note: You can skip this screen by entering either EZAC,COPY,CICS or EZAC,COPY,LISTENER.

COPY,CICS

If you specify CICS on the previous screen, the following screen is displayed:

```

EZAC,COPY,CICS                                APPLID = .....
Enter all fields

SCICS      ===> .....                        APPLID of Source CICS
TCICS      ===> .....                        APPLID of Target CICS

PF 3 END                                       12 CNCL

```

Figure 57. EZAC,COPY,CICS screen

After the APPLIDs of the source CICS object and the target CICS object are entered, confirmation is requested. When confirmation is entered, the copy is performed.

COPY,LISTENER

If you specify COPY,LISTENER, the following screen is displayed:

```

EZAC,COPY,LISTENER                            APPLID = .....
Enter all fields

SCICS      ===> .....                        APPLID of Source CICS
SLISTENER  ===> ....                        Name of Source listener

TCICS      ===> .....                        APPLID of Target CICS
TLISTENER  ===> ....                        Name of Target listener

PF 3 END                                       12 CNCL

```

Figure 58. EZAC,COPY,LISTENER screen

After the APPLIDs of the source and target CICS objects and the names of the source and target listeners are entered, confirmation is requested. When the confirmation is entered, the copy is performed.

DEFINE function for EZAC

The DEFINE function is used to create CICS objects and their listener objects. If you specify DEFINE on the EZAC Initial Screen or enter EZAC,DEF on a blank screen, the following screen is displayed:

```
EZAC,DEFine,                                APPLID = .....
Enter One of the Following
CICS
LISTENER

PF 3 END                                     12 CNCL
```

Figure 59. EZAC,DEFINE screen

Note: You can skip this screen by entering either EZAC,DEFINE,CICS or EZAC,DEFINE,LISTENER.

DEFINE,CICS

For definition of a CICS object, the following screen is displayed:

```
EZAC,DEFine,CICS                            APPLID = .....
Enter all fields

APPLID      ==> .....                      APPLID of CICS System

PF 3 END                                     12 CNCL
```

Figure 60. EZAC,DEFINE,CICS screen

After the APPLID is entered, the following screen is displayed.

```

EZAC,DEFine,CICS                                APPLID = .....

Overtpe to Enter

APPLID      ===> .....      APPLID of CICS System
TCPADDR     ===> .....      Name of TCP Address Space
NTASKS      ===> ...        Number of Reusable Tasks
DPRTY       ===> ...        DPRTY Value for ATTACH
CACHMIN     ===> ...        Minimum Refresh Time for Cache
CACHMAX     ===> ...        Maximum Refresh Time for Cache
CACHRES     ===> ...        Maximum Number of Resolvers
ERRORTD     ===> ....      TD Queue for Error Messages
SMSGSUP     ===> ...        Suppress Task Started Messages
TERMLIM     ===> ...        Subtask Termination Limit
TRACE       ===> ...        Trace CICS Sockets
OTE         ===> ...        Open Transaction Environment
TCBLIM      ===> .....      Number of open API TCBS
PLTSDI      ===> ...        CICS PLT Shutdown Immediate
APPLDAT     ===> ...        Register Application Data

Press ENTER or PF3 to exit

PF 3 END                                         12 CNCL

```

Figure 61. EZAC,DEFINE,CICS detail screen

After the definition is entered, confirmation is requested. When confirmation is entered, the object is created on the configuration file.

DEFINE,LISTENER

For definition of a listener, the following screen is displayed:

```

EZAC,DEFine,LISTENER                            APPLID = .....

Enter all fields

APPLID      ===> .....      APPLID of CICS System
TRANID      ===> ....      Transaction Name of listener
Format      ===> .....      Enter STANDARD|ENHANCED

PF 3 END                                         12 CNCL

```

Figure 62. EZAC,DEFINE,LISTENER screen

If defining a standard listener, the first screen shows the attributes of the standard listener.

```

EZAC,DEFine,LISTENER (standard listener.  screen 1 of 2)  APPLID = .....

Overtype to Enter

APPLID      ===> .....      APPLID of CICS System
TRANID      ===> ....      Transaction Name of listener
PORT        ===> .....      Port Number of listener
AF          ===> .....      Listener Address Family
IMMEDIATE   ===> ...       Immediate Startup  Yes|No
BACKLOG     ===> ...       Backlog Value for listener
NUMSOCK     ===> ...       Number of Sockets in listener
ACCTIME     ===> ...       Timeout Value for ACCEPT
GIVTIME     ===> ...       Timeout Value for GIVESOCKET
REATIME     ===> ...       Timeout Value for READ
RTYTIME     ===> ...       Stack Connection Retry Time
LAPPLD      ===> ...       Register Application Data

Verify parameters, press PF8 to go to screen 2

PF 3 END                8 NEXT                12 CNCL

```

Figure 63. EZAC,DEFINE,LISTENER detail screen 1- Standard listener

Pressing PF8 displays the screen used to manage the unique attributes of the standard listener.

```

EZAC,DEFine,LISTENER (standard listener.  screen 2 of 2)  APPLID = .....

Overtype to Enter

MINMSGL     ===> ...       Minimum Message Length
TRANTRN     ===> ...       Translate TRNID  Yes|No
TRANUSR     ===> ...       Translate User Data Yes|No
SECEXIT     ===> .....     Name of Security Exit
GETTID      ===> ...       Get TTLS ID  (YES|NO)
USERID      ===> .....     Listeners User ID

Verify parameters, press PF7 to go back to screen 1
or ENTER if finished making changes

PF 3 END                7 PREV                12 CNCL

```

Figure 64. EZAC,DEFINE,LISTENER detail screen 2: Standard listener

Pressing PF7 displays the screen used to manage the common attributes of the standard listener.

If defining an enhanced listener, the first screen shows the attributes of the enhanced listener.

```

EZAC,DEFine,LISTENER (enhanced listener.  screen 1 of 2)  APPLID = .....

Overtime to Enter

APPLID      ===> .....          APPLID of CICS System
TRANID      ===> ....           Transaction Name of listener
PORT        ===> .....          Port Number of listener
AF          ===> .....          Listener Address Family
IMMEDIATE   ===> ...           Immediate Startup  Yes|No
BACKLOG     ===> ...           Backlog Value for listener
NUMSOCK     ===> ...           Number of Sockets in listener
ACCTIME     ===> ...           Timeout Value for ACCEPT
GIIVTIME    ===> ...           Timeout Value for GIVESOCKET
REATIME     ===> ...           Timeout Value for READ
RTYTIME     ===> ...           Stack Connection Retry Time
LAPPLD      ===> ...           Register Application Data

Verify parameters, press PF8 to go to screen 2

PF 3 END                8 NEXT                12 CNCL

```

Figure 65. EZAC,DEFINE,LISTENER detail screen 1- Enhanced listener

Pressing PF8 displays the screen used to manage the unique attributes of the enhanced listener

```

EZAC,DEFine,LISTENER (enhanced listener.  screen 2 of 2)  APPLID = .....

Overtime to Enter

CSTRAN      ===> ....           Child Server Transaction Name
CSSTYP      ===> ..            Startup Method (KC|IC|TD)
CSDELAY     ===> .....          Delay Interval (hhmmss)
MSGLENgth   ===> ...           Message Length (0-999)
PEEKDATAa   ===> ...           Enter Y|N
MSGFORMat   ===> .....          Enter ASCII|EBCDIC
USEREXIT    ===> .....          Name of User/Security exit
GETTID      ===> ...           Get TTLS ID (YES|NO)
USERID      ===> .....          Listeners User ID

Verify parameters, press PF7 to go back to screen 1
                        or ENTER if finished making changes

PF 3 END                7 PREV                12 CNCL

```

Figure 66. EZAC,DEFINE,LISTENER detail screen 2: Enhanced listener

Pressing PF7 displays the screen used to manage the common attributes of the enhanced listener.

After the definition is entered, confirmation is requested. When confirmation is entered, the object is created on the configuration file.

DELETE function for EZAC

The DELETE function is used to delete a CICS object or a listener object. Deleting a CICS object deletes all listener objects within that CICS object. If you specify DELEte on the EZAC initial screen or enter EZAC,DEL on a blank screen, the following screen is displayed:


```
EZAC,DELeTe,                                APPLID = .....
Enter One of the Following
CICS
LISTENER

PF 3 END                                     12 CNCL
```

Figure 67. EZAC,DELETE screen

DELETE,CICS

If you specify DELETE,CICS, the following screen is displayed:

```
EZAC,DELeTe,CICS                             APPLID = .....
Enter all fields

APPLID      ==> .....          APPLID of CICS System

PF 3 END                                     12 CNCL
```

Figure 68. EZAC,DELETE,CICS screen

After the APPLID is entered, confirmation is requested. When the confirmation is entered, the CICS object is deleted.

DELETE,LISTENER

If you specify DELETE,LISTENER, the following screen is displayed:

```
EZAC,DELeTe,LISTENER                                APPLID = .....
Enter all fields

APPLID      ==> .....                                APPLID of CICS System
TRANID     ==> ....                                Transaction Name of listener

PF 3 END                                           12 CNCL
```

Figure 69. EZAC,DELETE,LISTENER screen

After the APPLID and listener name are entered, confirmation is requested. When confirmation is entered, the listener object is deleted

DISPLAY function for EZAC

The DISPLAY function is used to display the specification of an object. If you specify DISplay on the initial EZAC screen or enter EZAC,DIS on a blank screen, the following screen is displayed:

```
EZAC,DISplay,                                       APPLID = .....
Enter One of the Following
CICS
LISTENER

PF 3 END                                           12 CNCL
```

Figure 70. EZAC,DISPLAY screen

Note: You can skip this screen by entering either EZAC,DISPLAY,CICS or EZAC,DISPLAY,LISTENER.

DISPLAY,CICS

If you specify DISPLAY,CICS, the following screen is displayed:

```

EZAC,DISplay,CICS                                APPLID = .....
Enter all fields

APPLID      ===> .....                          APPLID of CICS System

PF 3 END                                         12 CNCL

```

Figure 71. EZAC,DISPLAY,CICS screen

After the APPLID is entered, the following screen is displayed:

```

EZAC,DISplay,CICS                                APPLID = .....

APPLID      ===> .....                          APPLID of CICS System
TCPADDR     ===> .....                          Name of TCP Address Space
NTASKS      ===> ...                            Number of Reusable Tasks
DPRTY       ===> ...                            DPRTY Value for ATTACH
CACHMIN     ===> ...                            Minimum Refresh Time for Cache
CACHMAX     ===> ...                            Maximum Refresh Time for Cache
CACHRES     ===> ...                            Maximum Number of Resolvers
ERRORTD     ===> .....                          TD Queue for Error Messages
SMSGSUP     ===> ...                            Suppress Task Started Messages
TERMLIM     ===> ...                            Subtask Termination Limit
TRACE       ===> ...                            Trace CICS Sockets
OTE         ===> ...                            Open Transaction Environment
TCBLIM      ===> .....                          Number of open API TCBS
PLTSDI      ===> ...                            CICS PLT Shutdown Immediate
APPLDAT     ===> ...                            Register Application Data

Press ENTER or PF3 to exit

PF 3 END                                         12 CNCL

```

Figure 72. EZAC,DISPLAY,CICS detail screen

DISPLAY,LISTENER

If you specify DISPLAY,LISTENER, the following screen is displayed:

```

EZAC,DISplay,LISTENER                                APPLID = .....
Enter all fields

APPLID      ===> .....                                APPLID of CICS System
TRANID      ===> ....                                Transaction Name of listener

PF 3 END                                           12 CNCL

```

Figure 73. EZAC,DISPLAY,LISTENER screen

If displaying a standard listener, the first screen shows the attributes of the standard listener.

```

EZAC,DISplay,LISTENER (standard listener.  screen 1 of 2)  APPLID = .....

APPLID      ===> .....                                APPLID of CICS System
TRANID      ===> ....                                Transaction Name of listener
PORT        ===> .....                                Port Number of listener
AF          ===> .....                                Listener Address Family
IMMEDIATE   ===> ...                                  Immediate Startup   Yes|No
BACKLOG     ===> ...                                  Backlog Value for listener
NUMSOCK     ===> ...                                  Number of Sockets in listener
ACCTIME     ===> ...                                  Timeout Value for ACCEPT
GIVTIME     ===> ...                                  Timeout Value for GIVESOCKET
REATIME     ===> ...                                  Timeout Value for READ
RTYTIME     ===> ...                                  Stack Connection Retry Time
LAPPLD      ===> ...                                  Register Application Data

Verify parameters, press PF8 to go to screen 2

PF 3 END                                           8 NEXT                                           12 CNCL

```

Figure 74. EZAC,DISPLAY,LISTENER detail screen 1- Standard listener

Pressing PF8 displays the screen used to manage the unique attributes of the standard listener.

```
EZAC,DISplay,LISTENER (standard listener. screen 2 of 2)  APPLID = .....
```

```
MINMSG  ===> ...           Minimum Message Length
TRANTRN ===> ...           Translate TRNID      Yes|No
TRANUSR ===> ...           Translate User Data Yes|No
SECEXIT ===> .....       Name of Security Exit
GETTID  ===> ...           Get TTLS ID (YES|NO)
USERID  ===> .....       Listeners User ID
```

```
Verify parameters, press PF7 to go back to screen 1
Press ENTER or PF3 to exit
```

```
PF 3 END
```

```
7 PREV
```

```
12 CNCL
```

Figure 75. EZAC,DISPLAY,LISTENER detail screen 2: Standard listener

Pressing PF7 displays the screen used to manage the common attributes of the standard listener.

If displaying an enhanced listener, the first screen shows the attributes of the enhanced listener.

```
EZAC,DISplay,LISTENER (enhanced listener. screen 1 of 2)  APPLID = .....
```

```
APPLID  ===> .....       APPLID of CICS System
TRANID  ===> .....       Transaction Name of listener
PORT    ===> .....       Port Number of listener
AF      ===> .....       Listener Address Family
IMMEDIATE ===> ...       Immediate Startup Yes|No
BACKLOG ===> ...         Backlog Value for listener
NUMSOCK ===> ...         Number of Sockets in listener
ACCTIME ===> ...         Timeout Value for ACCEPT
GIVTIME ===> ...         Timeout Value for GIVESOCKET
REATIME ===> ...         Timeout Value for READ
RTYTIME ===> ...         Stack Connection Retry Time
LAPPLD  ===> ...         Register Application Data
```

```
Verify parameters, press PF8 to go to screen 2
```

```
PF 3 END
```

```
8 NEXT
```

```
12 CNCL
```

Figure 76. EZAC,DISPLAY,LISTENER detail screen 1- Enhanced listener

Pressing PF8 displays the screen used to manage the unique attributes of the enhanced listener.

```

EZAC,DISplay,LISTENER (enhanced listener.  screen 2 of 2)  APPLID = .....

CSTRAN      ===> ....      Child Server Transaction Name
CSSTYP      ===> ..       Startup Method (KC|IC|TD)
CSDELAY     ===> .....    Delay Interval (hhmmss)
MSGLENgth  ===> ...      Message Length (0-999)
PEEKDATAa  ===> ...      Enter Y|N
MSGFORMat  ===> .....    Enter ASCII|EBCDIC
USEREXIT    ===> .....    Name of User/Security exit
GETTID      ===> ...      Get TTLS ID (YES|NO)
USERID      ===> .....    Listeners User ID

Verify parameters, press PF7 to go back to screen 1
Press ENTER or PF3 to exit

PF 3 END          7 PREV          12 CNCL

```

Figure 77. EZAC,DISPLAY,LISTENER detail screen 2: Enhanced listener

RENAME function for EZAC

The RENAME function is used to rename a CICS or listener object. It consists of a COPY followed by a DELETE of the source object. For a CICS object, the object and all of its associated listeners are renamed. For a listener object, only that listener is renamed.

If you specify RENAME on the initial EZAC screen or enter EZAC,REN on a blank screen, the following screen is displayed:

```

EZAC,REName,                                     APPLID = .....

Enter One of the Following

CICS
LISTENER

PF 3 END          12 CNCL

```

Figure 78. EZAC,RENAME screen

Note: You can skip this screen by entering either EZAC,RENAME,CICS or EZAC,RENAME,LISTENER.

RENAME,CICS

If you specify CICS on the previous screen, the following screen is displayed:

```

EZAC,REName,CICS                                APPLID = .....
Enter all fields

SCICS      ===> .....                          APPLID of Source CICS
TCICS      ===> .....                          APPLID of Target CICS

PF 3 END                                         12 CNCL

```

Figure 79. EZAC,RENAME,CICS screen

After the APPLIDs of the source CICS object and the target CICS object are entered, confirmation is requested. When confirmation is entered, the rename is performed.

RENAME,LISTENER

If you specify RENAME,LISTENER, the following screen is displayed:

```

EZAC,REName,LISTENER                            APPLID = .....
Enter all fields

SCICS      ===> .....                          APPLID of Source CICS
SLISTENER  ===> ....                          Name of Source listener

TCICS      ===> .....                          APPLID of Target CICS
TLISTENER  ===> ....                          Name of Target listener

PF 3 END                                         12 CNCL

```

Figure 80. EZAC,RENAME,LISTENER screen

After the APPLIDs of the source and target CICS objects and the names of the source and target listeners are entered, confirmation is requested. When the confirmation is entered, the rename is performed.

z/OS UNIX System Services environment effects on IP CICS sockets

The UNIX System Services provides controls on the number of sockets that can be opened concurrently by a single process (in a CICS region). You can use this to limit the number of socket descriptors that a process can have, thereby limiting the amount of CICS and system resources a single process can use at one time.

Two specifications affect this limit:

- The MAXFILEPROC parameter of the BPXPRMxx parmlib member, which specifies a default limit for any process in the system
- FILEPROCMAX specification in the OMVS segment of the SAF profile for the CICS region's userid, which overrides the default; NOFILEPROCMAX can also be specified, which removes this limit

For more information about how MAXFILEPROC affects tuning applications, see [z/OS UNIX System Services Planning](#). The z/OS configuration tool, called Managed System Infrastructure (msys), contains additional information about the impacts of the UNIX MAXFILEPROC parameter settings.

For more information about the FILEPROCMAX specification, see the documentation provided for the SAF product in use on your system. If using RACF, this can be found in the [z/OS Security Server RACF Security Administrator's Guide](#)

CICS/TS V2R3 and later does a set_dub_default causing each CICS Sockets task to run as its own OMVS process. Therefore, the MAXPROCSYS parameter must be large enough to accommodate the largest possible number of CICS Sockets tasks plus any other OMVS processes (CICS/TS itself always has at least 2 OMVS processes).

Chapter 3. Configuring the CICS Domain Name Server cache

The Domain Name Server (DNS) is like a telephone book that contains a person's name, address, and telephone number. The name server maps a host name to an IP address, or an IP address to a host name. For each host, the name server can contain IP addresses, nicknames, mailing information, and available well-known services (for example, SMTP, FTP, or Telnet).

Translating host names into IP addresses is just one way of using the DNS. Other types of information related to hosts can also be stored and queried. The different possible types of information are defined through input data to the name server in the resource records.

Although the CICS DNS cache function is optional, it is useful in a highly active CICS client environment. It combines the `GETHOSTBYNAME()` call that is supported in CICS sockets, and a cache that saves results from `GETHOSTBYNAME()` for future reference. If your system receives repeated requests for the same set of domain names, using the DNS can improve performance significantly. If you have specified that IP CICS sockets should use the Open Transaction Environment, and you link to the domain name service module, `EZACIC25`, your threadsafe program is switched to the QR TCB.

Guideline: If the system resolver caching function is enabled, CICS DNS caching should not be configured. Resolver caching (when enabled) provides a significant performance improvement over the CICS DNS cache. For more information about resolver caching, visit this website: <http://www.ibm.com/software/hcp/cics/library/>

See [z/OS Communications Server: IP Configuration Reference](#) for information about caching issues, and see [z/OS Communications Server: IP Configuration Guide](#) for more information about [system resolver caching](#).

Rules:

- DNS caching does not support the caching of IPv6 addresses because the `gethostbyname()` function is not IPv6 enabled.
- Using the system resolver caching function provides the following benefits:
 - After a host name is resolved, it is cached locally. Locally caching a host name enables all other applications that run in the system to retrieve this information without increasing the network communications.
 - The system resolver caching function honors the time to live (TTL) value, which indicates when the information for the resource record expires.
 - The system resolver can cache IPv4 and IPv6 resources.
- DNS caching supports the caching of IPv4 addresses. You can use the system resolver for both IPv4 and IPv6 name resolution. IPv6 clients use unique host names and you must enable DNS entries to allow unique host names to exist in different DNS zones. An IPv6 client gets an AAAA address to use when connecting to an IPv6-enabled listener.

CICS DNS cache function components

The function consists of three parts.

- A VSAM file which is used for the cache.

Note: The CICS `DATATABLE` option can be used with the cache.

- A macro, `EZACICR`, which is used to initialize the cache file.
- A CICS application program, `EZACIC25`, which is invoked by the CICS application in place of the `GETHOSTBYNAME` socket call.

VSAM cache file

The cache file is a VSAM KSDS (Key Sequenced Data Set) with a key of the host name padded to the right with binary zeros. The cache records contain a compressed version of the hostent structure returned by the name server plus a time of last refresh field. When a record is retrieved, EZACIC25 determines if it is usable based on the difference between the current time and the time of last refresh.

EZACICR macro

The EZACICR macro builds an initialization module for the cache file, because the cache file must start with at least one record to permit updates by the EZACIC25 module. To optimize performance, you can preload dummy records for the host names which you expect to be used frequently. This results in a more compact file and minimizes the I/O required to use the cache. If you do not specify at least one dummy record, the macro builds a single record of binary zeros. See [“Step 1: Create the initialization module” on page 81](#).

EZACIC25 module

This module is a normal CICS application program which is invoked by an EXEC CICS LINK command. The COMMAREA passes information between the invoking CICS program and the DNS Module. If domain name resolves successfully, EZACIC25 obtains storage from CICS and builds a hostent structure in that storage. When finished with the hostent structure, release this storage using the EXEC CICS FREEMAIN command.

The EZACIC25 module uses four configuration parameters plus the information passed by the invoking application to manage the cache. These configuration parameters are as follows:

Error destination - ERRORTD

The Transient Data destination to which error messages are sent.

Minimum refresh time - CACHMIN

The minimum time in minutes between refreshes of a cache record. If a cache record is younger than this time, it is used. This value is set to 15 minutes.

Maximum refresh time - CACHMAX

The maximum time in minutes between refreshes of a cache record. If a cache record is older than this time, it is refreshed. This value is set to 30 minutes.

Maximum resolver requests - CACHRES

The maximum number of concurrent requests to the resolver. It is set at 10. See [“How the DNS cache handles requests” on page 80](#).

If the transaction program is executing in the Open Transaction Environment, expect a TCB switch to occur for each call to EZACIC25.

How the DNS cache handles requests

When a request is received where cache retrieval is specified, the following takes place:

1. Attempt to retrieve this entry from the cache. If unsuccessful, issue the GETHOSTBYNAME call unless request specifies cache only.
2. If cache retrieval is successful, calculate the age of the record. This is the difference between the current time and the time this record was created or refreshed.
 - If the age is not greater than minimum cache refresh, use the cache information and build the Hostent structure for the requestor. Then return to the requestor.
 - If the age is greater than the maximum cache refresh, issue the GETHOSTBYNAME call and refresh the cache record with the results.
 - If the age is between the minimum and maximum cache refresh values, do the following:
 - a. Calculate the difference between the maximum and minimum cache refresh times and divide it by the maximum number of concurrent resolver requests. The result is called the time increment.

- b. Multiply the time increment by the number of currently active resolver requests. Add this time to the minimum refresh time giving the adjusted refresh time.
- c. If the age of the record is less than the adjusted refresh time, use the cache record.
- d. If the age of the record is greater than the adjusted refresh time, issue the GETHOSTBYNAME call and refresh the cache record with the results.
- If the GETHOSTBYNAME is issued and is successful, the cache is updated and the update time for the entry is changed to the current time.

Using the DNS cache

These steps provides the minimum information that you need to use the DNS cache.

Procedure

Perform the following steps to use the DNS cache:

1. Create the initialization module, which in turn defines and initializes the file and the EZACIC25 module. See [“Step 1: Create the initialization module”](#) on page 81.
2. Define the cache files to CICS. See [“Step 2: Define the cache file to CICS”](#) on page 84.
3. Use EZACIC25 to replace GETHOSTBYNAME calls in CICS application modules. See [“Step 3: Issue EZACIC25”](#) on page 84.

Results

Step 1: Create the initialization module

The initialization module is created using the EZACICR macro. A minimum of two invocations of the macro are coded and assembled and the assembly produces the module. An example follows:

```
EZACICR TYPE=INITIAL
EZACICR TYPE=FINAL
```

This produces an initialization module which creates one record of binary zeros. If you want to preload the file with dummy records for frequently referenced domain names, it resembles the following:

```
EZACICR TYPE=INITIAL
EZACICR TYPE=RECORD , NAME=HOSTA
EZACICR TYPE=RECORD , NAME=HOSTB
EZACICR TYPE=RECORD , NAME=HOSTC
EZACICR TYPE=FINAL
```

where HOSTA, HOSTB, AND HOSTC are the host names you want in the dummy records. The names can be specified in any order.

The specifications for the EZACICR macro are as follows:

Operand

Meaning

TYPE

There are three acceptable values:

Value

Meaning

INITIAL

Indicates the beginning of the generation input. This value should appear only once and should be the first entry in the input stream.

RECORD

Indicates a dummy record the user wants to generate. There can be from 0 to 4096 dummy records generated and each of them must have a unique name. Generating dummy records for

frequently used host names improves the performance of the cache file. A TYPE=INITIAL must precede a TYPE=RECORD statement.

FINAL

Indicates the end of the generation input. This value should appear only once and should be the last entry in the input stream. A TYPE=INITIAL must precede a TYPE=FINAL.

AVGREC

The length of the average cache record. This value is specified on the TYPE=INITIAL macro and has a default value of 500. Use the default value until you have adequate statistics to determine a better value. This parameter is the same as the first subparameter in the RECORDSIZE parameter of the IDCAMS DEFINE statement. Accurate definition of this parameter along with use of dummy records minimizes control interval and control area splits in the cache file.

NAME

Specifies the host name for a dummy record. The name must be from 1 to 255 bytes long. The NAME operand is required for TYPE=RECORD entries.

The macro can be used in conjunction with IDCAMS to define and load the file. The following example shows a sample job to define and initialize a cache file:

Figure 81. Example of defining and initializing a DNS cache file

```
//CACHEDEF JOB (accounting,information),programmer.name,
//          MSGLEVEL=(1,1),MSGCLASS=A,CLASS=A
//*
//*  z/OS Communications Server
//*
//*  SMP/E distribution name: EZACIDNS
//*
//*  Licensed Materials - Property of IBM
//*  "Restricted Materials of IBM"
//*  5650-ZOS /* Copyright IBM Corp. 2000, 2015
//*
//*  Status = CSV2R2
//*
//*  Function: This job defines and then loads the VSAM
//*  file used for the CICS TCP cache. The job stream
//*  has the following steps:
//*
//*  1. Delete a cache file if one exists
//*  2. Define the VSAM cache file to VSAM
//*  3. Assemble the initialization program
//*  4. Link the initialization program
//*  5. Execute the initialization program to load the
//*     VSAM cache file
//*
//*
//*  Change Activity =
//*  Flag Reason   Release   Date      Origin    Description
//*  -----
//*  $31=         20817  RFBASE   140312  MWS      Ship sample
//*  -----
//*
//*  THIS STEP DELETES AN OLD COPY OF THE FILE
//*  IF ONE IS THERE.
//*
//DEL      EXEC  PGM=IDCAMS
//SYSPRINT DD  SYSOUT=*
//SYSIN     DD  *
//          DELETE -
//            CICS.USER.CACHE -
//            PURGE -
//            ERASE
//*
//*  THIS STEP DEFINES THE NEW FILE
//*
//DEFINE EXEC  PGM=IDCAMS
//SYSPRINT DD  SYSOUT=*
//SYSIN     DD  *
```

```

DEFINE CLUSTER (NAME(CICS.USER.CACHE) VOLUMES(CICVOL) -
  CYL(1 1) -
  RECORDSIZE(500 1000) FREESPACE(0 15) -
  INDEXED ) -
  DATA ( -
    NAME(CICS.USER.CACHE.DATA) -
    KEYS (255 0) ) -
  INDEX ( -
    NAME(CICS.USER.CACHE.INDEX) )
/*
/**
/** THIS STEP DEFINES THE FILE LOAD PROGRAM
/**
/**ASM      EXEC   PGM=ASMA90,PARM='OBJECT,TERM',REGION=1024K
/**SYSLIB   DD     DISP=SHR,DSNAME=SYS1.MACLIB
/**        DD     DISP=SHR,DSNAME=TCPV34.SEZACMAC
/**SYSUT1   DD     UNIT=SYSDA,SPACE=(CYL,(5,1))
/**SYSUT2   DD     UNIT=SYSDA,SPACE=(CYL,(2,1))
/**SYSUT3   DD     UNIT=SYSDA,SPACE=(CYL,(2,1))
/**SYSPUNCH DD     DISP=SHR,DSNAME=NULLFILE
/**SYSLIN   DD     DSNAME=&&OBJSET,DISP=(MOD,PASS),UNIT=SYSDA,
/**        SPACE=(400,(500,50)),
/**        DCB=(RECFM=FB,BLKSIZE=400,LRECL=80)
/**SYSTEM   DD     SYSOUT=*
/**SYSPRINT DD     SYSOUT=*
/**SYSIN    DD     *
EZACICR TYPE=INITIAL
EZACICR TYPE=RECORD,NAME=RALVM12
EZACICR TYPE=FINAL
/*
/**LINK     EXEC   PGM=IEWL,PARM='LIST,MAP,XREF',
/**        REGION=512K,COND=(4,LT,ASM)
/**SYSPRINT DD     SYSOUT=*
/**SYSUT1   DD     SPACE=(CYL,(5,1)),DISP=(NEW,PASS),UNIT=SYSDA
/**SYSLMOD  DD     DSNAME=&&LOADSET(GO),DISP=(MOD,PASS),UNIT=SYSDA,
/**        SPACE=(TRK,(1,1,1)),
/**        DCB=(DSORG=PO,RECFM=U,BLKSIZE=32760)
/**SYSLIN   DD     DSNAME=&&OBJSET,DISP=(OLD,DELETE)
/**
/** THIS STEP EXECUTES THE FILE LOAD PROGRAM
/**
/**LOAD     EXEC   PGM=*.LINK.SYSLMOD,
/**        COND=((4,LT,DEFINE),(4,LT,ASM),(4,LT,LINK))
/**EZACICRF DD     DSN=CICS.USER.CACHE,DISP=OLD

```

After the cache file has been created, it has the following layout:

Field name

Description

Host name

A 255-byte character field specifying the host name. This field is the key to the file.

Record type

A 1-byte binary field specifying the record type. The value is X'00000001'.

Last refresh time

An 8-byte packed field specifying the last refresh time. It is expressed in seconds because 0000 hours on January 1, 1990 and is derived by taking the ABSTIME value obtained from an EXEC CICS ASKTIME and subtracting the value for January 1, 1990.

Offset to alias pointer list

A halfword binary field specifying the offset in the record to DNSALASA.

Number of INET addresses

A halfword binary field specifying the number of INET addresses in DNSINETA.

INET addresses

One or more fullword binary fields specifying INET addresses returned from GETHOSTBYNAME().

Alias names

An array of variable length character fields specifying the alias names returned from the name server cache. These fields are delimited by a byte of binary zeros. Each of these fields have a maximum length of 255 bytes.

Step 2: Define the cache file to CICS

All CICS definitions required to add this function to a CICS system can be done using CICS RDO without disruption to the operation of the CICS system.

Use the following parameters with RDO FILE to define the cache file:

RDO keyword

Value

File

EZACACHE

Group

Name of group you are placing this function in.

DSName

Must agree with name defined in the IDCAMS in [“Step 1: Create the initialization module” on page 81](#) (for example, CICS.USER.CACHE).

STRings

Maximum number of concurrent users.

Opentime

Startup

Disposition

Old

DAtabuffers

STRings value X 2

Indexbuffers

Number of records in index set.

Table

User

Maxnumrecs

Maximum number of destinations queried.

RECORDFormat

V

Use the following parameters with RDO PROGRAM to define the EZACIC25 module:

RDO keyword

Value

PROGram

EZACIC25

Group

Name of group you are placing this function in

Language

Assembler

Step 3: Issue EZACIC25

EZACIC25 replaces the GETHOSTBYNAME socket call. It is invoked by a EXEC CICS LINK COMMAREA(com-area) where com-area is defined as follows:

Field name

Description

Return code

A fullword binary variable specifying the results of the function:

Value

Meaning

- 1**
ERRNO value returned from GETHOSTBYNAME() call. Check ERRNO field.
- 0**
Host name could not be resolved either within the cache or by use of the GETHOSTBYNAME call.
Note: In some instances, a 10214 errno is returned from the resolve, which can mean that the host name could not be resolved by use of the GETHOSTBYNAME call.
- 1**
Host name was resolved using cache.
- 2**
Host name was resolved using GETHOSTBYNAME call.

ERRNO

A fullword binary field specifying the ERRNO returned from the GETHOSTBYNAME call.

HOSTENT address

The address of the returned HOSTENT structure.

Command

A 4-byte character field specifying the requested operation.

Value

Meaning

GHBN

GETHOSTBYNAME. This is the only function supported.

Namelen

A fullword binary variable specifying the actual length of the host name for the query.

Query_Type

A 1-byte character field specifying the type of query:

Value

Meaning

- 0**
Attempt query using cache. If unsuccessful, attempt using GETHOSTBYNAME() call.
- 1**
Attempt query using GETHOSTBYNAME() call. This forces a cache refresh for this entry.
- 2**
Attempt query using cache only.

Note: If the cache contains a matching record, the contents of that record is returned regardless of its age.

Name

A 256-byte character variable specifying the host name for the query.

If the transaction program is executing in the Open Transaction Environment, a TCB switch occurs for each call to EZACIC25.

HOSTENT structure

The returned HOSTENT structure is shown in [Figure 82 on page 86](#).

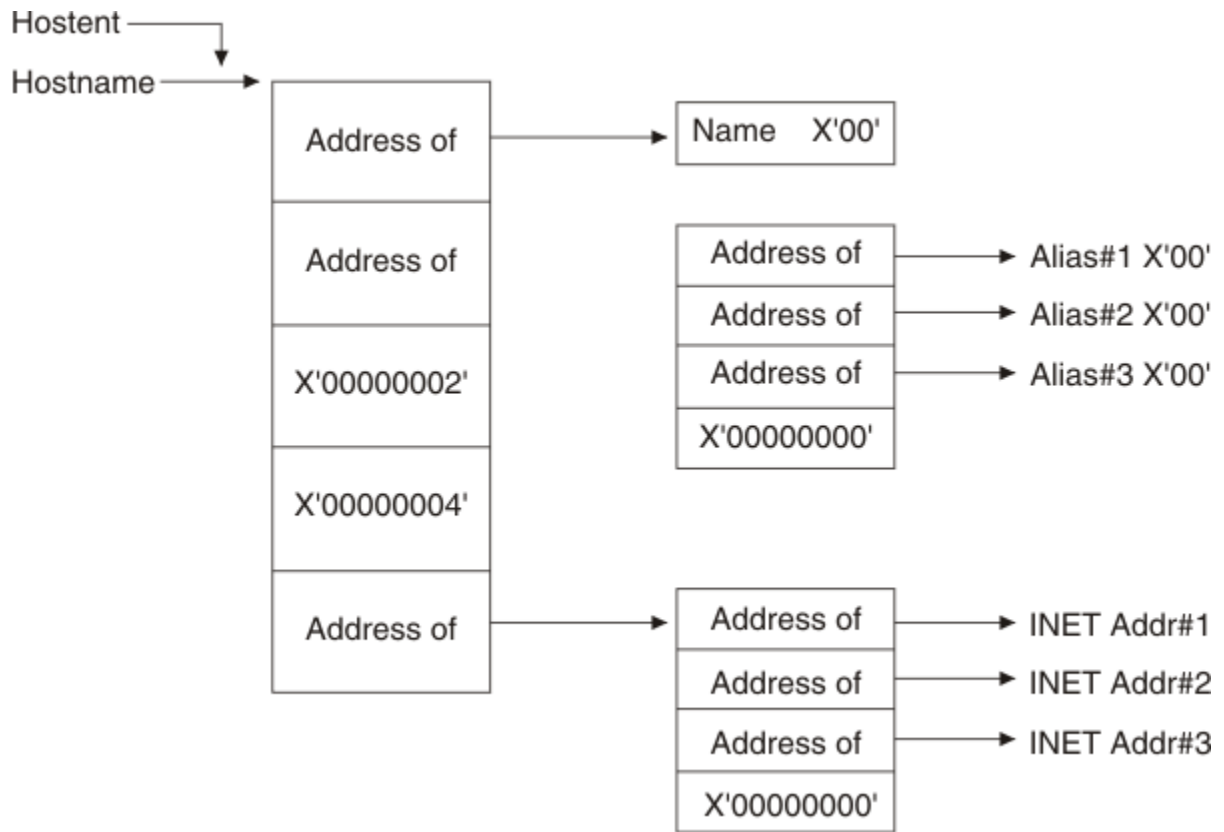


Figure 82. The DNS HOSTENT

Chapter 4. Managing IP CICS sockets

Use the CICS TCP/IP interface to:

- Customize your system so that CICS TCP/IP starts and stops automatically. See [“Starting and stopping CICS automatically”](#) on page 87.
- Manually start and stop CICS TCP/IP after CICS has been initialized. An operator can also query and change specific CICS TCP/IP interface attributes after CICS has been initialized. See [“IP CICS socket interface management”](#) on page 88.
- Start and stop CICS TCP/IP from a CICS application program. See [“Starting and stopping CICS TCP/IP with program link”](#) on page 98.
- Handle task hangs for TCP/IP CICS socket applications. See [“Handling task hangs”](#) on page 99.

Restriction: The IP CICS Socket Operator transaction, EZAO, is not designed to be run from the CICS terminal associated with the MVS system console.

Starting and stopping CICS automatically

Modify the CICS Program List Table (PLT) to start and stop the CICS socket interface automatically.

- Startup (PLTPI)

To start the IP CICS socket interface automatically, make the following entry in PLTPI *after* the DFHDELIM entry:

```
*
* PLT USED TO SUPPORT IP CICS SOCKETS STARTUP
*
      DFHPLT TYPE=INITIAL,SUFFIX=SI
      DFHPLT TYPE=ENTRY,PROGRAM=DFHDELIM
      DFHPLT TYPE=ENTRY,PROGRAM=EZACIC20
*
* Add other IP CICS Socket PLT startup programs here...
*
      DFHPLT TYPE=FINAL
      END
```

- Shutdown (PLTSD)

To shut down the IP CICS socket interface automatically (including all other IP CICS sockets enabled programs), make the following entry in the PLTSD *before* the DFHDELIM entry:

```
*
* PLT USED TO SUPPORT IP CICS SOCKETS SHUTDOWN
*
      DFHPLT TYPE=INITIAL,SUFFIX=SD
*
* Add other IP CICS Socket PLT shutdown programs here...
*
      DFHPLT TYPE=ENTRY,PROGRAM=EZACIC20
      DFHPLT TYPE=ENTRY,PROGRAM=DFHDELIM
      DFHPLT TYPE=FINAL
      END
```

Requirement: If the IP CICS socket interface is started in the PLT (started by invoking EZACIC20), the PLTPIUSR user ID also requires the UPDATE access to the EXITPROGRAM resource when CICS command security is active. Failure to have at least the UPDATE access to the EXITPROGRAM resource causes the IP CICS socket interface and listener to not start when starting or not stop when stopping. Message EZY1350E is issued, and the IP CICS socket interface does not start.

IP CICS socket interface management

Use the EZAO operator transaction to start CICS TCP/IP manually. You should run the EZAO transaction on the CICS region where you want the intended action to occur.

This operational transaction has the following functions:

Interface Startup

Starts the interface in a CICS address space and starts all listeners that are identified for immediate start.

Requirement: The EZAO transaction must be running on the CICS where you want to start the CICS sockets interface. You cannot start a CICS socket interface from a different CICS.

Interface Shutdown

Stops the interface in a CICS address space.

Listener Startup

Starts a listener in a CICS address space.

Listener Shutdown

Stops a listener in a CICS address space.

Set Interface

Alters some attributes of the IP CICS socket interface and listener.

Query Interface

Shows the current value of some attributes of the IP CICS socket interface and listener.

Trace startup

Starts CICS tracing for the CICS socket interface in a CICS address space.

Trace shutdown

Stops CICS tracing for the CICS socket interface in a CICS address space.

When you enter EZAO, the following screen is displayed:

```
EZAO                                     APPLID = .....  
Enter one of the following  
  
SET  
INQUIRE  
START  
STOP  
  
PF 3 END                               12 CNCL
```

Figure 83. EZAO initial screen

Using the INQUIRE function

Use the INQUIRE function to query certain IP CICS socket interface and listener attributes. Use the EZAO,SET command to dynamically change any values. The INQUIRE function can be abbreviated as INQ. Use the EZAO,INQUIRE command to query certain values. If you enter INQ in the screen shown in [Figure 83 on page 88](#) or enter the EZAO,INQ command on a blank screen, the following screen is displayed:

```

EZA0,INQUIRE                                APPLID = .....
Enter one of the following

CICS      ===> ...                            Enter Yes|No
LISTENER  ===> ...                            Enter Yes|No

PF 3 END                                     12 CNCL

```

Figure 84. EZA0 INQUIRE screen

If you enter INQUIRE CICS, the following screen is displayed:

```

EZA0,INQUIRE,CICS                            APPLID = .....

TRACE      ===> ...                            Trace CICS Sockets
MAXOPENTCBS ===> .....                        CICS open API, L8, TCB Limit
ACTOPENTCBS ===> .....                        Active CICS open API, L8, TCBS
TCBLIM     ===> .....                        Open API TCB Limit
ACTTCBS    ===> .....                        Number of Active open API TCBS
QUEUEDEPTH ===> .....                        Number of Suspended Tasks
SUSPENDHWM ===> .....                        Suspended Tasks HWM
APPLDAT    ===> ...                            Register Application Data

PF 3 END                                     12 CNCL

```

Figure 85. EZA0 INQUIRE CICS screen

This screen displays the following information:

- TRACE is the current IP CICS sockets CICS tracing flag.
- MAXOPENTCBS is the CICS limit of open API TCBS.
- ACTOPENTCBS is the current number of open API TCBS in use across all CICS.
- TCBLIM is the IP CICS sockets-imposed TCB limit.
- ACTTCBS is the current number of open API TCBS in use by IP CICS sockets.
- QUEUEDEPTH is the current number of CICS tasks suspended as the result of TCB limit (TCBLIM).
- SUSPENDHWM is the high-water mark of CICS tasks suspended as the result of TCB limit (TCBLIM).
- APPLDAT indicates whether the IP CICS socket interface automatically registers socket application data.


```

EZA0,SET                                     APPLID = .....
Enter one of the following

CICS      ===> ...                          Enter Yes|No
LISTENER  ===> ...                          Enter Yes|No

PF 3 END                                     12 CNCL

```

Figure 88. EZA0 SET screen

If you enter SET CICS, the following screen is displayed:

```

EZA0,SET,CICS                               APPLID = .....
Overtyp e to Enter

TRACE      ===> ...                          Trace CICS Sockets
TCBLIM    ===> .....                        Open API TCB Limit
APPLDAT   ===> ...                          Register Application Data

PF 3 END                                     12 CNCL

```

Figure 89. EZA0 SET CICS screen

This screen displays the following information:

- TRACE is the current IP CICS sockets CICS tracing flag. Specify YES or NO to dynamically enable or disable IP CICS sockets CICS tracing.
- TCBLIM is the current IP CICS sockets-imposed TCB limit. Specify a value in the range 0 to the value specified by the MAXOPENTCBS option to dynamically change the TCB limiting factor.
- APPLDAT is the current IP CICS socket interface socket application data registration flag. Specify YES or NO to dynamically enable or disable the registration of socket application data.

If you enter SET LISTENER, the following screen is displayed where you can choose from a list of active listeners:

Figure 90. EZA0 SET LISTENER selection screen

EZA0,SET,LISTENER APPLID =

Choose a listener transaction:

Se1	Tran	Task#	Type	Day	Date	Time	Message
-	mm/dd/yy	hh:mm:ss
-	mm/dd/yy	hh:mm:ss
-	mm/dd/yy	hh:mm:ss
-	mm/dd/yy	hh:mm:ss
-	mm/dd/yy	hh:mm:ss
-	mm/dd/yy	hh:mm:ss
-	mm/dd/yy	hh:mm:ss
-	mm/dd/yy	hh:mm:ss
-	mm/dd/yy	hh:mm:ss
-	mm/dd/yy	hh:mm:ss
-	mm/dd/yy	hh:mm:ss
-	mm/dd/yy	hh:mm:ss
-	mm/dd/yy	hh:mm:ss
-	mm/dd/yy	hh:mm:ss
-	mm/dd/yy	hh:mm:ss
-	mm/dd/yy	hh:mm:ss

PF 3 END 7 DOWN 8 UP 9 TOP 10 BOTTOM 12 CNCL ENTER SELECT

If you select a listener transaction, the following screen is displayed:

Figure 91. EZA0 SET LISTENER screen

EZA0,SET,LISTENER(....) APPLID =

Overtyp e to Enter

LAPPLD ===> Register Application Data

PF 3 END

12 CNCL

The LAPPLD entry indicates whether the IP CICS socket interface registers socket application data for the listener.

Using the START function

The START function starts the CICS socket interface or a listener within the interface. When the interface is started, all listeners marked for immediate start are also started. The START function also enables CICS tracing for the CICS socket interface and the listener.

If you type STA on the current screen or type EZA0 STA on a blank screen, the following screen is displayed:

```

EZA0,START                                APPLID = .....
Enter one of the following

CICS      ===> ...                        Enter Yes|No
LISTENER  ===> ...                        Enter Yes|No
TRACE     ===> ...                        Enter Yes|No

PF 3 END                                    12 CNCL

```

Figure 92. EZA0 START screen

EZA0 START CICS

If you type START CICS, the following screen is displayed:

```

EZA0,START,CICS                            APPLID = .....

APPLID=   ===> .....                       APPLID of CICS

CICS socket interface Startup Complete

PF 3 END                                    12 CNCL

```

Figure 93. EZA0 START CICS response screen

EZA0 START LISTENER

If you type START LISTENER, the following screen is displayed:

```
EZA0,START,LISTENER                                APPLID = .....

APPLID=      ===> .....                          APPLID of CICS
LISTENER     ===> ....                            Enter Name of listener

PF 3 END                                           12 CNCL
```

Figure 94. EZA0 START LISTENER screen

After you type the listener name, the listener starts. The following screen is displayed, and the results appear in the message area:

```
EZA0,START,LISTENER(CSKL)                          APPLID = .....

APPLID=      ===> .....                          APPLID of CICS
LISTENER     ===> ....                            Enter Name of listener

CICS socket interface listener CSKL is Started

PF 3 END                                           12 CNCL
```

Figure 95. EZA0 START LISTENER result screen

EZA0 START TRACE

If you type START TRACE, the following screen is displayed:


```

EZA0,START,TRACE                                APPLID = .....

APPLID=      ==> .....                        APPLID of CICS

CICS/SOCKETS CICS TRACING IS ENABLED

PF 3 END                                         12 CNCL

```

Figure 96. EZA0 START TRACE screen

Issue the EZA0,START,TRACE command on the CICS region where APPLID matches the IP CICS socket interface and where CICS tracing is to be started.

Using the STOP function

The STOP function is used to stop the CICS socket interface or a listener within the interface. If the interface is stopped, all listeners are stopped before the interface is stopped. The STOP function also disables CICS tracing for the CICS socket interface and the listener. If you type STO in the screen shown in [Figure 83 on page 88](#) or enter EZA0 STO on a blank screen, the following screen is displayed:

```

EZA0,STOP                                        APPLID = .....

Enter one of the following

CICS      ==> ...                               Enter Yes|No
LISTENER  ==> ...                               Enter Yes|No
TRACE     ==> ...                               Enter Yes|No

PF 3 END                                         12 CNCL

```

Figure 97. EZA0 STOP screen

EZA0 STOP CICS

If you specify STOP CICS, the following screen is displayed:

```

EZA0,STOP,CICS                                APPLID = .....

APPLID=    ===> .....                        APPLID of CICS
IMMEDIATE  ===> ...                            Enter Yes|No

PF 3 END                                       12 CNCL

```

Figure 98. EZA0 STOP CICS screen

The following options are available to stop CICS TCP/IP:

IMMEDIATE=NO

Used this option in most cases because it gracefully terminates the interface. This option has the following effects on applications using this API:

- If no other socket applications are active or suspended, the listener transaction (CSKL) quiesces after a maximum wait of 3 minutes.
- If active or suspended sockets applications exist, the listener allows them to continue processing. When all of these tasks are complete, the listener terminates.
- This option denies access to this API for all new CICS tasks. Tasks that start after CICS TCP/IP has been stopped END with the CICS abend code AEY9.

IMMEDIATE=YES

This option is reserved for unusual situations and abruptly terminates the interface. It has the following effect on applications using this API:

- Purges the master server (listener) CSKL.
- Denies access to the API for all CICS tasks. Tasks that have successfully called the API previously abend with the AETA abend code on the next socket call. New tasks that have started are denied by the AEY9 abend code.

After you choose an option, the stop is attempted. The screen is displayed again, and the results appear in the message area.

EZA0 STOP LISTENER

If you specify STOP LISTENER, the following screen is displayed:

```

EZA0,STOP,LISTENER                                APPLID = .....

APPLID=      ===> .....                          APPLID of CICS
LISTENER     ===> ....                             Enter Name of listener

PF 3 END                                           12 CNCL

```

Figure 99. EZA0 STOP LISTENER screen

When you input the listener named, that listener is stopped. The screen is displayed again, and the results appear in the message area.

EZA0 STOP TRACE

If you specify STOP TRACE, the following screen is displayed:

```

EZA0,STOP,TRACE                                APPLID = .....

APPLID=      ===> .....                          APPLID of CICS

CICS/SOCKETS CICS TRACING IS DISABLED

PF 3 END                                           12 CNCL

```

Figure 100. EZA0 STOP TRACE screen

Issue the EZA0,STOP,TRACE command on the CICS region where APPLID matches the IP CICS socket interface and where CICS tracing is to be stopped.

Abbreviating the EZA0 transaction parameters

It is possible to abbreviate the parameters of the EZA0 transaction, but a minimum of three characters must be specified. This capability allows the command to be issued using minimal keystrokes. The following list of commands shows the abbreviated parameters:

EZA0,STArt,CICs

Starts the interface

EZAO,STOp,CICs

Stops the interface

EZAO,STArt,LIStener

Starts a listener

EZAO,STOp,LIStener

Stops a listener

EZAO,STArt,TRAcE

Enables CICS tracing

EZAO,STOp,TRAcE

Disables CICS tracing

Note:

- The values in uppercase characters are the minimal acceptable value for parameters.
- You can use spaces instead of commas as a parameter delimiter. This is shown in the following example:

```
EZAO STArt CICs
```

This is the same as the following:

```
EZAO,STArt,CICs
```

Starting and stopping CICS TCP/IP with program link

Issue an EXEC CICS LINK to program EZACIC20 to start or stop the CICS socket interface. You need to follow these steps in the LINKing program.

Procedure

Perform the following steps to start or stop the CICS socket interface with program link:

1. Define the COMMAREA for EZACIC20 by including the following instruction in your DFHEISTG definition:

```
EZACICA AREA=P20,TYPE=CSECT
```

The length of the area is equated to P20PARML, and the name of the structure is P20PARMS.

2. Initialize the COMMAREA values as follows:

P20TYPE**I**

Initialization

T

Immediate termination

D

Deferred termination

Q

Quiesce the CICS socket interface by querying the PLT shutdown immediate configuration option and performing the shutdown based on the results of that query

P20OBJ**C**

CICS sockets interface

L

Listener

P20LIST

Name of listener (if this is listener initialization or termination)

3. Issue the EXEC CICS LINK to program EZACIC20. EZACIC20 does not return until the function is complete.
4. Check the P20RET field for the response from EZACIC20. See the P20RET field of the P2OPARMS structure in the hlq.SEZACMAC(EZACICA) macro for the meanings of the return values from calling EZACIC20.

Results

EZACIC20 can issue the following user abend codes:

- Abend code E20L is issued if the CICS socket interface is not in startup or termination and no COMMAREA was provided.
- Abend code E20T is issued if CICS is not active or if you run the EZACIC20 program at the wrong PLT phase. See [“CICS program list table” on page 40](#) for more information about setting CICS TCP sockets to automatically startup or shutdown by using updates to the PLT.

Handling task hangs

TCP/IP CICS socket applications might encounter hangs when they are using sockets API blocking calls. The most common scenario occurs when the remote peer fails to send data for the read or receive functions that are issued by the CICS socket application. When this situation occurs, get the read data from the socket before using a select or selectex function call. However, even when you use these functions to get the read data, you must end the hung transactions. The external symptom of this kind of hang in CICS is that the transactions are in an external wait in the TCP/IP CICS TRUE (module EZACIC01).

Perform one of the following two tasks to terminate a transaction that is in an external wait in EZACIC01:

- Set the APPLDAT value to YES in the TYPE=CICS configuration (EZAC transaction). You can use the NETSTAT CONN APPLDATA (CLIENT CICS*jobname* command to correlate the connection IDs to the associated hung transactions. The following sample shows the Netstat output when you use the appldata keyword:

```
EZZ2585I User Id Conn Local Socket Foreign Socket State
EZZ2586I -----
EZZ2587I CICS 00006BF0 0.0.0.0.3010 0.0.0.0.0 Listen
EZZ2591I Application Data: EZACICSO CSKL 0000037 .....
```

The data that is returned consists of the transaction name (CSKL in the sample) and the CICS transaction number (0000037 in the sample).

By using this data with the TCP/IP Conn ID (00006BF0 in the sample), you can issue a Netstat **drop** command to take the following actions:

- Stop the connection from a TCP/IP perspective.
 - Cause the outstanding blocking function call to fail.
 - Return control to the application.
- Use CEMT force purge from CICS.

Note: CEMT purge or DTIMEOUT do not have an effect because the TCP/IP CICS TRUE is defined as non-purgeable.

Chapter 5. Writing your own listener

The IP CICS socket interface provides a structure that supports multiple listeners. These listeners can be multiple copies of the IBM-supplied listener, user-written listeners, or a combination of the two. You can also run without a listener.

For each listener (IBM-supplied or user-written), there are certain basic requirements that enable the interface to manage the listeners correctly, particularly during initialization and termination. They are:

- Each listener instance must have a unique transaction name, even if you are running multiple copies of the same listener.
- Each listener should have an entry in the CICS sockets configuration data set. Even if you do not use automatic initiation for your listener, the lack of an entry would prevent correct termination processing and could prevent CICS from completing a normal shutdown.

For information on the IBM-supplied listener, see [“CICS application transaction \(IBM listener\)”](#) on page 116.

Prerequisites for writing your own listener

Some installations can require a customized, user-written listener. Writing your own listener has the following prerequisites:

1. Determine what capability is required that is not supplied by the IBM-supplied listener. Is this capability a part of the listener or a part of the server?
2. Knowledge of the CICS-Assembler environment is required.
3. Knowledge of multi-threading applications is required. A listener must be able to perform multiple functions concurrently to achieve good performance.
4. Knowledge of the CICS socket interface is required.
5. Knowledge of how to use compare and swap logic for serially updating shared resources.

Using IBM environmental support for user-written listeners

A user-written listener can use the environmental support supplied and used by the IBM-supplied listener. To employ this support, the user-written listener must do the following in addition to the requirements described in [“Prerequisites for writing your own listener”](#) on page 101:

- The user-written listener must be written in Assembler.
- The RDO definitions for the listener transaction and program should be identical to those for the IBM-supplied listener with the exception of the transaction/program names. Reference the program definition for the IBM-supplied listener, EZACIC02, in SEZAINST(EZACICCT).

```
DEFINE PROGRAM(EZACIC02)
DESCRIPTION(IBM LISTENER)
GROUP(SOCKETS) CEDF(YES) DATALOCATION(ANY) EXECKEY(CICS)
RELOAD(NO) RESIDENT(YES) USELPACOPY(NO)
LANGUAGE(ASSEMBLER) STATUS(ENABLED) USAGE(NORMAL)
CONCURRENCY(THREADSAFE)
```

Figure 101. Program Definition for listener EZACIC02

- In the program, define an input area for the configuration file records. If you are going to read the configuration file using MOVE mode, you can define the area by making the following entry in your DFHEISTG area:

```
EZACICA AREA=CFG,TYPE=CSECT
```

If you are going to read the configuration file using LOCATE mode you can define a DSECT for the area as follows:

```
EZACICA AREA=CFG,TYPE=DSECT
```

In either case, the length of the area is represented by the EQUATE label CFGLEN. The name of the area/DSECT is CFG0000.

- In the program, define a DSECT for mapping the Global Work Area (GWA). This is done by issuing the following macro:

```
EZACICA AREA=GWA,TYPE=DSECT
```

The name of the DSECT is GWA0000.

- In the program, define a DSECT for mapping the Task Interface Element (TIE). This is done by issuing the following macro:

```
EZACICA AREA=TIE,TYPE=DSECT
```

The name of the DSECT is TIE0000.

- In the program define a DSECT for mapping the listener Control Area (LCA). This is done by issuing the following macro:

```
EZACICA AREA=LCA,TYPE=DSECT
```

The name of the DSECT is LCA0000.

- Obtain address of the GWA. This can be done using the following CICS command:

```
EXEC CICS EXTRACT EXIT PROGRAM(EZACIC01) GASET(ptr) GALEN(len)
```

where *ptr* is a register and *len* is a halfword binary variable. The address of the GWA is returned in *ptr* and the length of the GWA is returned in *len*. Use of the Extract Exit command requires UPDATE access to the EXITPROGRAM resource. Failure to have at least the UPDATE access to the EXITPROGRAM resource causes the IP CICS socket interface and listener to either not start when starting or not stop when stopping.

Guideline: As of CICS/TS 2.3, the EXEC CICS EXTRACT command is not threadsafe. If the interface is using the CICS Open Transaction Environment, you should issue this command with other non-threadsafes commands to prevent excessive TCB switching.

- Read the configuration file during initialization of the listener. The configuration file is identified as EZACONFG in the CICS Configuration file. The record key for the user-written listener is as follows:

- APPLID

An 8-byte character field set to the APPLID value for this CICS. This value can be obtained from the field GWACAPPL in the GWA or by using the following CICS command:

```
EXEC CICS ASSIGN APPLID(applid)
```

where *applid* is an 8-byte character field.

- Record Type

A 1-byte character field set to the record type. It must have the value L.

- Reserved Field

A 3-byte hex field set to binary zeros.

- Transaction

A 4-byte character field containing the transaction name for this listener. It can be obtained from the EIBTRNID field in the Execute Interface Block.

The configuration record provides the information entered by either the EZACICD configuration macro or the EZAC Configuration transaction. The user-written listener can use this information selectively, but it is preferred because it contains the values specified for PORT, BACKLOG, and NUMSOCK. See [Chapter 2, “Setting up and configuring CICS TCP/IP,” on page 21](#) for more information about the configuration data set with EZACICD TYPE parameter subsection.

For shared files: If the user-written listener reads the configuration file, it must first issue an EXEC CICS SET command to enable and open the file. When the file operation is complete, the user-written listener must issue an EXEC CICS SET command to disable and close the file. Failure to do so results in file errors in certain shared-file situations.

Requirement: Use of the EXEC CICS ENABLE command requires UPDATE access to EXITPROGRAM resources. Failure to have at least the UPDATE access to the EXITPROGRAM resource causes the IP CICS socket interface and listener to either not start when starting or not stop when stopping.

- The user-written listener should locate its listener Control Area (LCA). The LCAs are located contiguously in storage with the first one pointed to by the GWALCAAD field in the GWA. The correct LCA has the transaction name of the listener in the field LCATRAN.
- The user-written listener should set the LCASTAT field to a value specified by LCASTATP so that the IP CICS socket interface is aware that the listener is active. Otherwise, the IP CICS sockets listener termination logic bypasses the posting of the listeners termination ECB.
- The user-written listener should monitor either the LCASTAT field in the LCA or the GWATSTAT field in the GWA for shutdown status. If either field shows an immediate shutdown in progress, the user-written listener should terminate by issuing the EXEC CICS RETURN command and allow the interface to clean up any socket connections. If either field shows a deferred termination in progress, the user-written listener should do the following:
 1. Accept any pending connections, and close the passive (listen) socket.
 2. Complete the processing of any sockets involved in transaction initiation (that is, processing the GIVESOCKET command). When processing is complete, close these sockets.
 3. When all sockets are closed, issue the EXEC CICS RETURN command.
- The user-written listener should avoid socket calls which imply blocks dependent on external events such as ACCEPT or READ. These calls should be preceded by a single SELECTEX call that waits on the ECB LCATECB in the LCA. This ECB is posted when an immediate termination is detected, and its posting causes the SELECTEX to complete with a RETCODE of 0 and an ERRNO of 0. The program should check the ECB when the SELECTEX completes in this way as this is identical to the way SELECTEX completes when a timeout happens. The ECB can be checked by looking for a X'40' in the first byte (post bit).

This SELECTEX should also specify a timeout value. This provides the listener with a way to periodically check for a deferred termination request. Without this, CICS sockets Deferred Termination or CICS Deferred Termination cannot complete.

- The user-written listener should use a non-reusable subtask. Issue the INITAPI command or an INITAPIX command with the letter *L* in the last byte of the subtask name. The user-written listener implements the termination and detach logic in the same way that the IBM-supplied listener does.
- The user-written listener should update LCASTAT with one of the following:

```
LCASTAT DS X Status of this listener
LCASTAT0 EQU B'00000000' Listener not in operation
LCASTAT1 EQU B'00000001' Listener in initialization
LCASTAT5 EQU B'00000010' Listener in SELECT
LCASTATP EQU B'00000100' Listener processing
LCASTATE EQU B'00001000' Listener had initialization error
LCASTATC EQU B'00010000' Immediate termination in progress
LCASTATD EQU B'00100000' Deferred termination in progress
LCASTATA EQU B'01000000' Listener is active
LCASTATR EQU B'10000000' Listener is CICS delayed retry
```

Rule: If IP CICS sockets is configured to use CICS's Open Transaction Environment, then ensure that you serially update the LCASTAT value. The Listener Control Area (LCA) is part of the global work area (GWA), and is considered to be a shared resource. An appropriate value to move into LCASTAT would be

LCASTATP (B'00000100') when the user-written listener starts. This value enables the CICS socket logic to correctly post the LCATECB during both deferred and immediate termination.

- User-written listener programs can use the LCASTAT2A status flag to determine whether this listener should register application data. The user-written listener should update LCASTAT2 with one of the following:

```
LCASTAT2 DS X Listener status byte 2
LCASTAT2C EQU B'00000001' Listener can now connect to TCP
LCASTAT2A EQU B'00000010' Register Application Data
LCASTAT2H EQU B'00000100' LAPPLD inherits APPLDAT
LCASTAT2S EQU B'00100000' This is a STANDARD listener
LCASTAT2E EQU B'01000000' This is an ENHANCED listener
LCASTAT26 EQU B'10000000' Listeners AF is AF_INET6
```

Chapter 6. Writing applications that use the IP CICS sockets API

This topic describes how to write applications that use the IP CICS sockets API. It describes typical sequences of calls for client, concurrent server (with associated child server processes), and iterative server programs. The contents of the topic are:

- The following setups for writing CICS TCP/IP applications are available:
 - Concurrent server (the supplied listener transaction) and child server processes run under CICS TCP/IP.
 - The same as 1 but with a user-written concurrent server.
 - An iterative server running under CICS TCP/IP.
 - A client application running under CICS TCP/IP.
- Socket addresses
- MVS address spaces
- GETCLIENTID, GIVESOCKET, and TAKESOCKET commands
- The listener program
- CICS Open Transaction Environment considerations
- Application Transparent Transport Layer Security (AT-TLS)

[Chapter 7, “C language application programming,” on page 137](#) describes the C language calls that can be used with CICS.

[Chapter 8, “Sockets extended API,” on page 203](#) provides reference information on the Sockets Extended API for COBOL, PL/I, and Assembler language. The Sockets Extended API is the preferred interface for new application development.

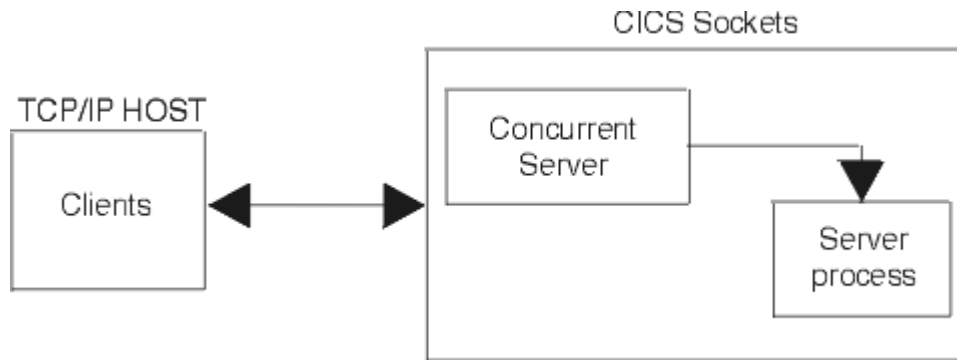
Note: [Appendix A, “Original COBOL application programming interface \(EZACICAL\),” on page 349](#) provides reference information on the EZACICAL API for COBOL and assembler language. This interface was made available in a prior release of TCP/IP Services and is being retained in the current release for compatibility. For the best results, however, use the Sockets Extended API whenever possible. It is described in [Chapter 8, “Sockets extended API,” on page 203](#).

Writing CICS TCP/IP applications

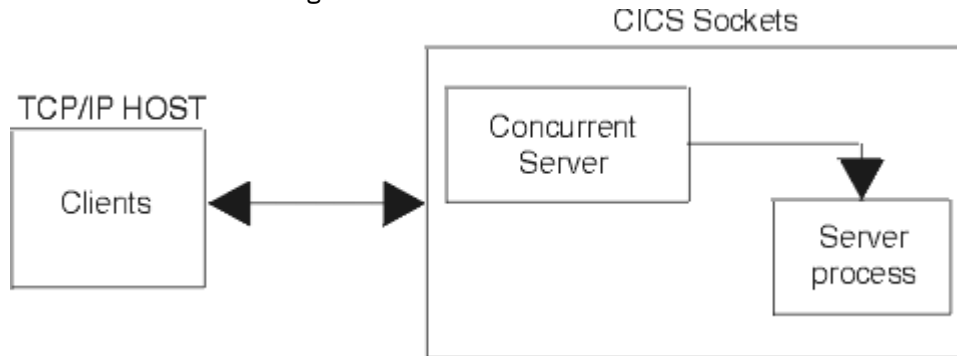
[Chapter 1, “Introduction to CICS TCP/IP,” on page 1](#) describes the basics of TCP/IP client/server systems and the two types of server: iterative and concurrent. This topic considers in detail four TCP/IP setups in which CICS TCP/IP applications are used in various parts of the client/server system.

The setups are:

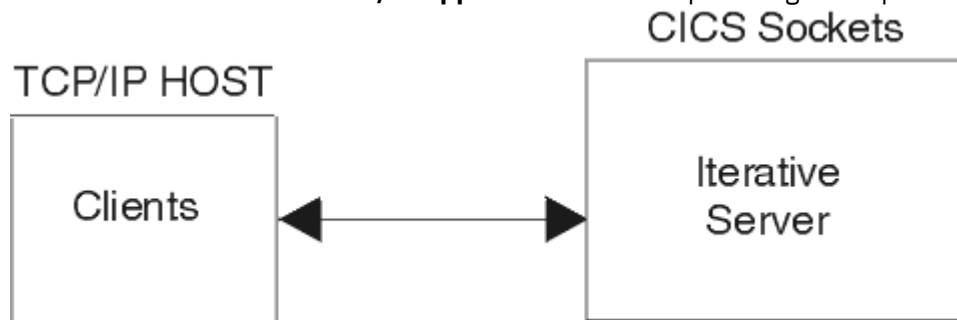
- **The client-listener-child server application set.** The concurrent server and child server processes run under CICS TCP/IP. The concurrent server is the supplied listener transaction. The client might be running TCP/IP under one of the various UNIX operating systems such as AIX®.



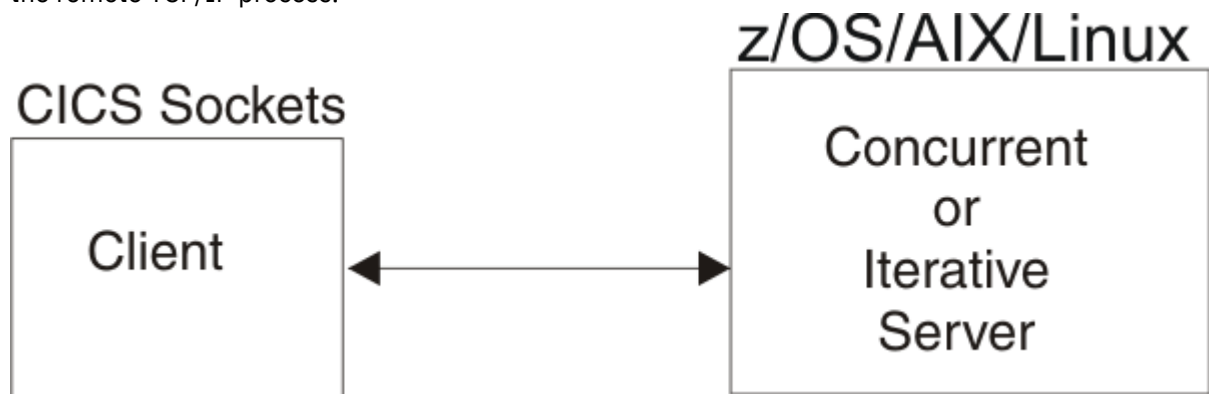
- **Writing your own concurrent server.** This is the same setup as the first except that a user-written concurrent server is being used instead of the IBM listener.



- **The iterative server CICS TCP/IP application.** This setup is designed to process one socket at a time.



- **The client CICS TCP/IP application.** In this setup, the CICS application is the client and the server is the remote TCP/IP process.



For details of how the CICS TCP/IP calls should be specified, see [Chapter 7, “C language application programming,”](#) on page 137, [Chapter 8, “Sockets extended API,”](#) on page 203, and [Appendix A, “Original COBOL application programming interface \(EZACICAL\),”](#) on page 349.

The client-listener-child-server application set

Figure 102 on page 107 shows the sequence of CICS commands and socket calls involved in this setup. CICS commands are prefixed by EXEC CICS; all other numbered items in the figure are CICS TCP/IP calls.

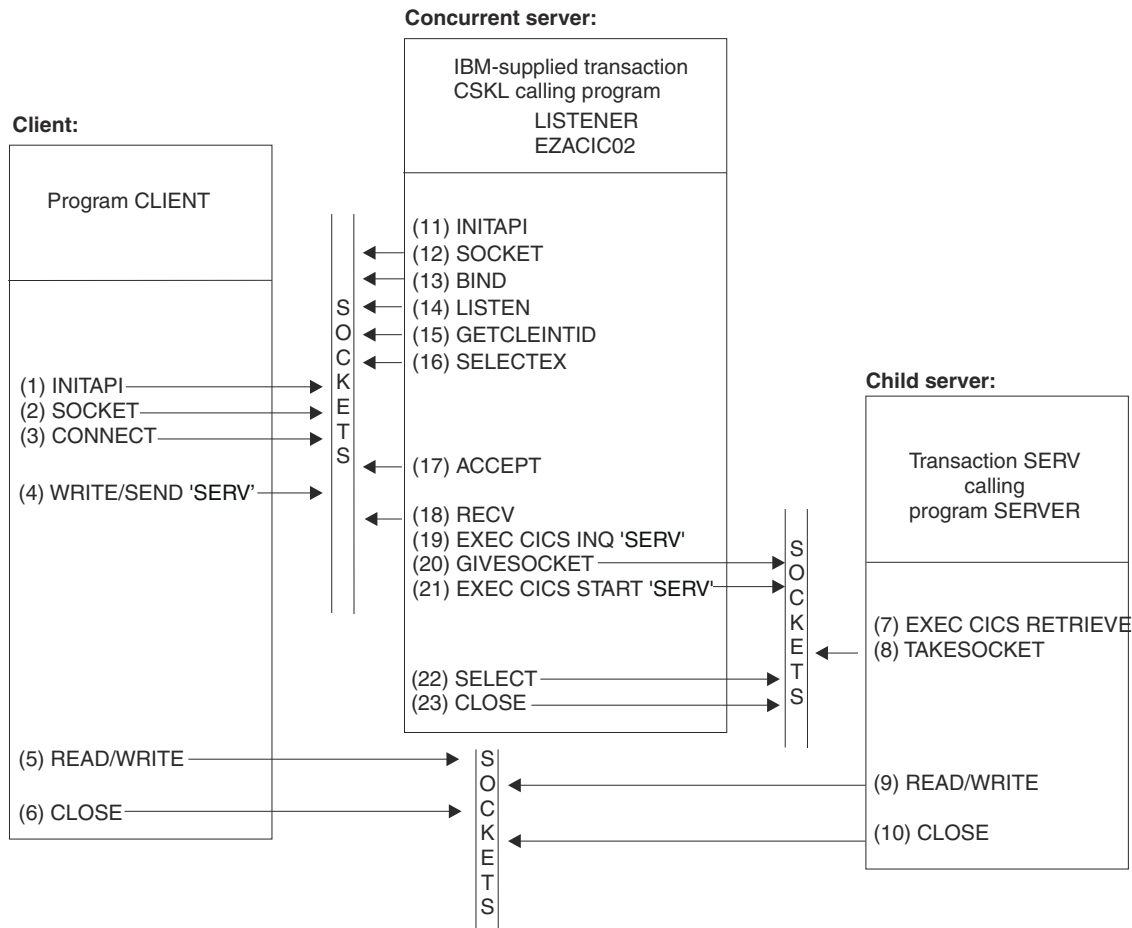


Figure 102. The sequence of sockets calls

Client call sequence

Table 9 on page 107 explains the functions of each of the calls listed in Figure 102 on page 107.

Table 9. Calls for the client application

Call	Function
(1) INITAPI	Connect the CICS application to the TCP/IP interface. (This call is used only by applications written in Sockets Extended or the EZACICAL interface). Use the MAXSOC parameter on the Sockets Extended INITAPI or the MAX-SOCK parameter on the EZACICAL interface to specify the maximum number of sockets to be used by the application.

Table 9. Calls for the client application (continued)

Call	Function
(2) SOCKET	<p>This obtains a socket. You define a socket with three parameters:</p> <ul style="list-style-type: none"> • The domain, or addressing family • The type of socket • The protocol <p>For CICS TCP/IP, the domain can be only one of the TCP/IP Internet domains, either AF_INET (2) for IPv4 or AF_INET6 (19) for IPv6. The type can be SOCK_STREAM (1) for stream sockets (TCP) or SOCK_DGRAM (2) for datagram sockets (UDP). The protocol can be either TCP or UDP. Passing 0 for the protocol selects the default protocol.</p> <p>If successful, the SOCKET call returns a socket descriptor, S, which is always a small integer. Notice that the socket obtained is not yet attached to any local or destination address.</p>
(3) CONNECT	<p>Client applications use this to establish a connection with a remote server. You must define the local socket S to be used in this connection and the address and port number of the remote socket. The system supplies the local address, so on successful return from CONNECT, the socket is completely defined, and is associated with a TCP connection (if stream) or UDP connection (if datagram).</p>
(4) WRITE	<p>This sends the first message to the listener. The message contains the CICS transaction code as its first 4 bytes of data. You must also specify the buffer address and length of the data to be sent.</p>
(5) READ/WRITE	<p>These calls continue the conversation with the server until it is complete.</p>
(6) CLOSE	<p>This closes a specified socket and so ends the connection. The socket resources are released for other applications.</p>

Listener call sequence

The listener transaction CSKL is provided as part of CICS TCP/IP. These are the calls issued by the CICS listener. Your client and server call sequences must be prepared to work with this sequence. These calls are documented in [“Writing your own concurrent server”](#) on page 109, where the listener calls in [Figure 102](#) on page 107 are explained.

Child server call sequence

Table 10 on page 108 explains the functions of each of the calls listed in [Figure 102](#) on page 107.

Table 10. Calls for the server application

Call	Function
(7) EXEC CICS RETRIEVE	<p>This retrieves the data passed by the EXEC CICS START command in the concurrent server program. This data includes the socket descriptor and the concurrent server client ID as well as optional additional data from the client.</p>
(8) TAKESOCKET	<p>This acquires the newly created socket from the concurrent server. The TAKESOCKET parameters must specify the socket descriptor to be acquired and the client ID of the concurrent server. This information was obtained by the EXEC CICS RETRIEVE command.</p> <p>Note: If TAKESOCKET is the first call, it issues an implicit INITAPI with default values.</p>

Table 10. Calls for the server application (continued)

Call	Function
(9) READ/WRITE	The conversation with the client continues until complete.
(10) CLOSE	Terminates the connection and releases the socket resources when finished.

Writing your own concurrent server

The overall setup is the same as the first scenario, but your concurrent server application performs many of the functions performed by the listener. Obviously, the client and child server applications have the same functions.

Concurrent server call sequence

Table 11 on page 109 explains the functions of each of the steps listed in Figure 102 on page 107.

Table 11. Calls for the concurrent server application

Call	Function
(11) INITAPI	Connects the application to TCP/IP, as in Table Table 9 on page 107.
(12) SOCKET	This obtains a socket, as in Table Table 9 on page 107.
(13) BIND	After a socket has been obtained, a concurrent server uses this call to attach itself to a specific port at a specific address so that the clients can connect to it. The socket descriptor and a local address and port number are passed as arguments. On successful return of the BIND call, the socket is <i>bound</i> to a port at the local address, but not (yet) to any remote address.
(14) LISTEN	After binding an address to a socket, a concurrent server uses the LISTEN call to indicate its readiness to accept connections from clients. LISTEN tells TCP/IP that all incoming connection requests should be held in a queue until the concurrent server can deal with them. The BACKLOG parameter in this call sets the maximum queue size.
(15) GETCLIENTID	This command returns the identifiers (MVS address space name and subtask name) by which the concurrent server is known by TCP/IP. This information is needed by the EXEC CICS START call.
(16) SELECTEX	The SELECTEX call monitors activity on a set of sockets. In this case, it is used to interrogate the queue (created by the LISTEN call) for connections. It returns when an incoming CONNECT call is received or when LCATECB was posted because immediate termination was detected, or else times out after an interval specified by one of the SELECTEX parameters.
(17) ACCEPT	The concurrent server uses this call to accept the first incoming connection request in the queue. ACCEPT obtains a new socket descriptor with the same properties as the original. The original socket remains available to accept more connection requests. The new socket is associated with the client that initiated the connection.
(18) RECV	A RECV is not issued if the FORMAT parameter is ENHANCED and MSGLENTH is 0. If FORMAT is ENHANCED, MSGLENTH is not 0, and PEEKDATA is YES, the listener peeks the number of bytes specified by MSGLENTH. If FORMAT is STANDARD, the listener processes the client data as in earlier releases.

Table 11. Calls for the concurrent server application (continued)

Call	Function
(19) CICS INQ	This checks that the SERV transaction is defined to CICS (else the TRANSIDERR exceptional condition is raised), and, if so, that its status is ENABLED. If either check fails, the listener does not attempt to start the SERV transaction.
(20) GIVESOCKET	This makes the socket obtained by the ACCEPT call available to a child server program.
(21) CICS START	This initiates the CICS transaction for the child server application and passes the ID of the concurrent server, obtained with GETCLIENTID, to the server. For example, in “IBM listener output format” on page 118, the parameters LSTN-NAME and LSTN-SUBNAME define the listener.
(22) SELECTEX ⁸	Again, the SELECTEX call is used to monitor TCP/IP activity. This time, SELECTEX returns when the child server issues a TAKESOCKET call.
(23) CLOSE	This releases the new socket to avoid conflicts with the child server.

Passing sockets

In CICS, a socket belongs to a CICS task. Therefore, sockets can be passed between programs within the same task by passing the descriptor number. However, passing a socket between CICS tasks does require a GIVESOCKET/TAKESOCKET sequence of calls.

The iterative server CICS TCP/IP application

Figure 103 on page 110 shows the sequence of socket calls involved in a simple client-iterative server setup.

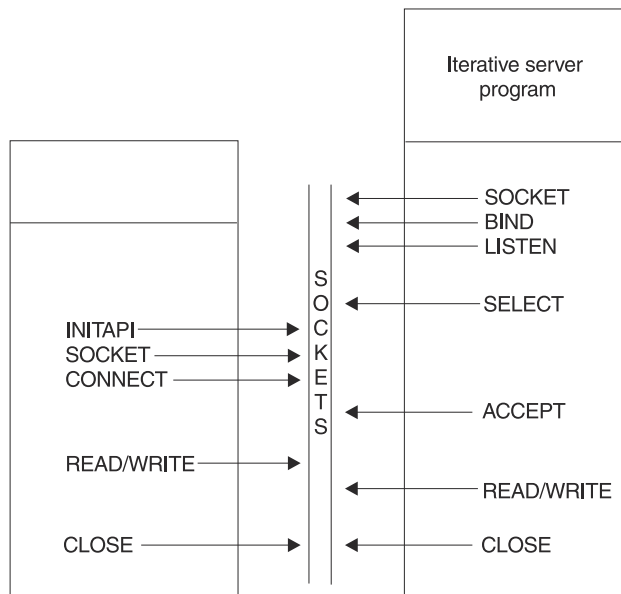


Figure 103. Sequence of socket calls with an iterative server

The setup with an iterative server is much simpler than the previous cases with concurrent servers.

⁸ This SELECTEX is the same as the SELECTEX call in Step 16. They are shown as two calls to clarify the functions being performed.

Iterative server use of sockets

The iterative server needs to obtain only two socket descriptors. The iterative server makes the following calls:

1. As with the concurrent servers, SOCKET, BIND, and LISTEN calls are made to inform TCP/IP that the server is ready for incoming requests, and is listening on socket 0.
2. The SELECT call then returns when a connection request is received. This prompts the issuing of an ACCEPT call.
3. The ACCEPT call obtains a new socket (1). Socket 1 is used to handle the transaction. After this completed, socket 1 closes.
4. Control returns to the SELECT call, which then waits for the next connection request.

The disadvantage of an iterative server is that it remains blocked for the duration of a transaction, as described in [Chapter 1, "Introduction to CICS TCP/IP,"](#) on page 1.

The client CICS TCP/IP application

Figure 104 on page 111 shows the sequence of calls in a CICS client-remote server setup. The calls are similar to the previous examples.

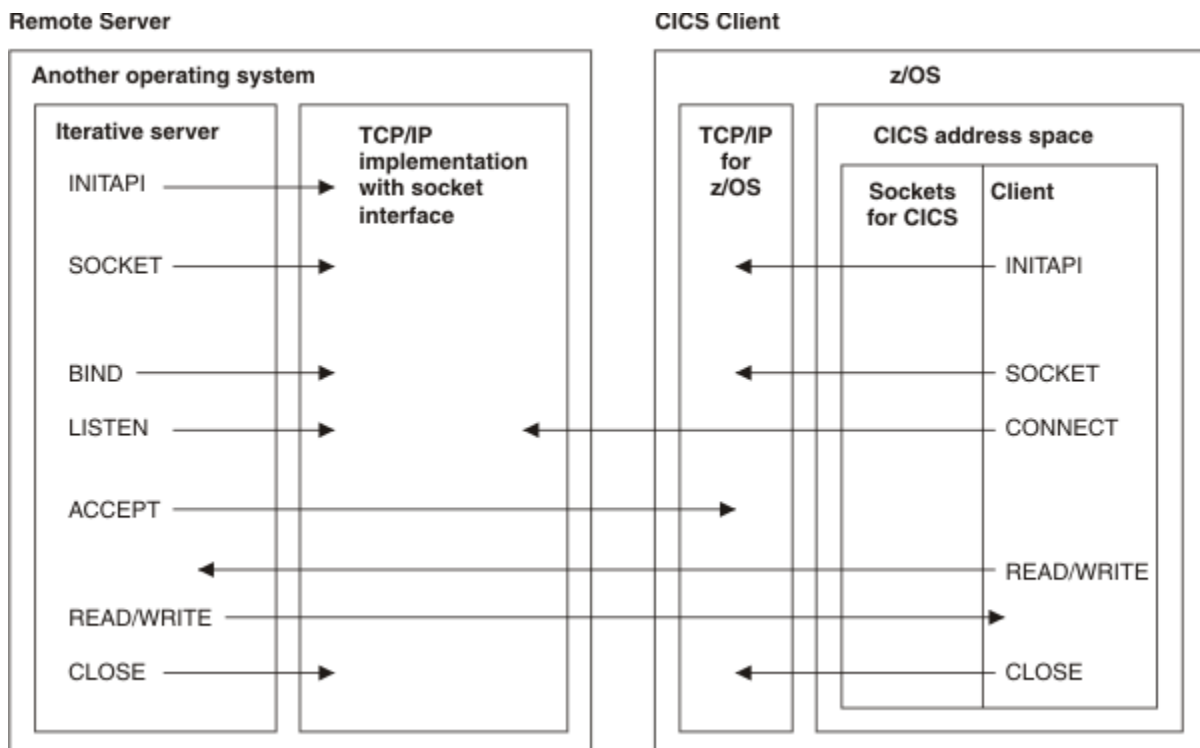


Figure 104. Sequence of socket calls between a CICS client and a remote iterative server

Figure 104 on page 111 shows that the server can be on any processor and can run under any operating system, provided that the combined software-hardware configuration supports a TCP/IP server.

For simplicity, the figure shows an iterative server. A concurrent server would need a child server in the remote processor and an adjustment to the calls according to the model in [Figure 102](#) on page 107.

A CICS server issues a READ call to read the client's first message, which contains the CICS transaction name of the required child server. When the server is in a non-CICS system, application design must specify how the first message from the CICS client indicates the service required (in [Figure 104](#) on page 111, the first message is sent by a WRITE call).

If the server is a concurrent server, this indication is typically the name of the child server. If the server is iterative, as in [Figure 104 on page 111](#), and all client calls require the same service, this indication might not be necessary.

Defining socket addresses

Socket addresses are defined by specifying the address family and the address of the socket in the Internet. In CICS TCP/IP, the address is specified by the IP address and port number of the socket.

Address family (domain) support

CICS TCP/IP supports the AF_INET and AF_INET6 TCP/IP addressing family (or domain, as it is called in the UNIX system). This is the Internet domain, denoted by AF_INET or AF_INET6 in C. Many of the socket calls require you to define the domain as one of their parameters.

A socket address is defined by the IP address of the socket and the port number allocated to the socket.

IP address allocation

IP addresses are allocated to each TCP/IP services address on a TCP/IP Internet. Each address is a unique 32-bit (an IPv4 Internet Address) or a unique 128-bit (an IPv6 Internet Address) quantity defining the host's network and the particular host. A host can have more than one IP address if it is connected to more than one network (a so-called multihomed host).

Port number identification

A host can maintain several TCP/IP connections at one time. One or more applications using TCP/IP on the same host are identified by a port number. The port number is an additional qualifier used by the system software to get data to the correct application. Port numbers are 16-bit integers; some numbers are reserved for particular applications and are called well-known ports (for example, 23 is for TELNET).

Address structures

The address structure depends on the IP addressing family. An IPv4 socket address in an IP addressing family is comprised of the following four fields:

Address family

Set to AF_INET in C, or to a decimal 2 in other languages.

Port

Port used by the application, in network byte order (which is explained in [“TCP/IP network byte ordering convention” on page 114](#)).

IPv4 address

The IPv4 address of the network interface used by the application. It is also in network byte order.

Character array

Should always be set to all zeros.

An IPv6 socket address in an IP addressing family is comprised of the following five fields:

Address family

Set to AF_INET6 in C or to a decimal 19 in other languages.

Port

Port used by the application, in network byte order (which is explained in [“TCP/IP network byte ordering convention” on page 114](#)).

Flow Information

Four bytes in binary format indicating traffic class and flow label. This field is currently not implemented.

IPv6 address

The IPv6 address of the network interface used by the application. It is in network byte order.

Scope ID

Used to specify link scope for an IPv6 address as a interface index. If specified, and the destination is not link local, the socket call fails.

Address structure for COBOL, PL/I, and assembler language programs

The address structure of an IPv4 Internet socket address should be defined as follows:

Parameter	Assembler	COBOL	PL/I
IPv4 NAME STRUCTURE:			
FAMILY	H	PIC 9(4) BINARY	FIXED BIN(15)
PORT	H	PIC 9(4) BINARY	FIXED BIN(15)
ADDRESS	F	PIC 9(8) BINARY	FIXED BIN(31)
ZEROS	XL8	PIC X(8)	CHAR(8)

The address structure of an IPv6 Internet socket address should be defined as follows:

Parameter	Assembler	COBOL	PL/I
IPv6 NAME STRUCTURE:			
FAMILY	H	PIC 9(4) BINARY	FIXED BIN(15)
PORT	H	PIC 9(4) BINARY	FIXED BIN(15)
FLOWINFO	F	PIC 9(8) BINARY	FIXED BIN(31)
ADDRESS	XL16	two PIC 9(16) BINARY	CHAR(16)
SCOPE ID	F	PIC 9(8) BINARY	FIXED BIN(31)

Address structure for C programs

The structure of an IPv4 Internet socket address is defined by the *sockaddr_in* structure, which is found in the IN.H header file. The structure of an IPv6 Internet socket address is defined by the *sockaddr_in6* structure, which is found in the IN.H header file. The format of these structures is shown in Table 20 on page 139.

MVS address spaces relationship between TCP/IP and CICS

Figure 105 on page 113 shows the relationship between TCP/IP and CICS in terms of MVS address spaces.

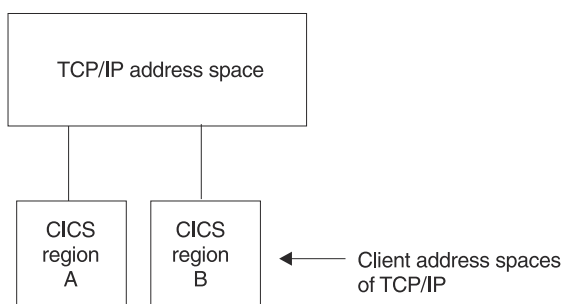


Figure 105. MVS address spaces

Within each CICS region, server and client processes are allocated subtask numbers. TCP/IP treats each CICS region together with its application programs as a client application. Because of this, the address space and subtask of each CICS TCP/IP application is called its CLIENTID. This applies to CICS TCP/IP servers as well as to clients.

A single task can support up to 65535 sockets. However, the maximum number of sockets that the TCP/IP address space can support is determined by the value of MAXSOCKETS. Therefore, using multiple tasks, a single CICS region can support a number of sockets up to the setting of MAXSOCKETS, which has a maximum possible value of 16 777 215.

MAXFILEPROC limits the number of sockets per process. Because CICS is considered a process, MAXFILEPROC can limit the number of files allocated for the CICS region. Ensure that MAXFILEPROC is set to accommodate the total number of sockets used by all tasks running in the region.

The structure of CLIENTID is shown in Table 12 on page 114. With CICS TCP/IP, the domain is always AF_INET, so the name (that is, address space) and subtask are the items of interest.

Table 12. CLIENTID structures

C structure	COBOL structure
<pre> struct clientid { int domain; char name[8]; char subtaskname[8]; char reserved[20]; }; </pre>	<pre> CLIENTID STRUCTURE: 01 CLIENTID. 02 DOMAIN PIC 9(8) BINARY. 02 NAME PIC X(8). 02 TASK PIC X(8). 02 RESERVED PIC X(20). </pre>

TCP/IP network byte ordering convention

Ports and addresses are specified using the TCP/IP network byte ordering convention, which is known as big endian.

In a big endian system, the most significant byte comes first. By contrast, in a little endian system, the least significant byte comes first. MVS uses the big endian convention; because this is the same as the network convention, CICS TCP/IP applications do not need to use any conversion routines, such as htonl, htons, ntohs, and ntohl.

Note: The socket interface does not handle differences in data byte ordering within application data. Sockets application writers must handle these differences themselves.

GETCLIENTID, GIVESOCKET, and TAKESOCKET

The socket calls GETCLIENTID, GIVESOCKET, and TAKESOCKET are unique to the IBM implementation of the socket interface. In CICS TCP/IP, they are used with the EXEC CICS START and EXEC CICS RETRIEVE commands to make a socket available to a new process. This is shown in Figure 106 on page 115.

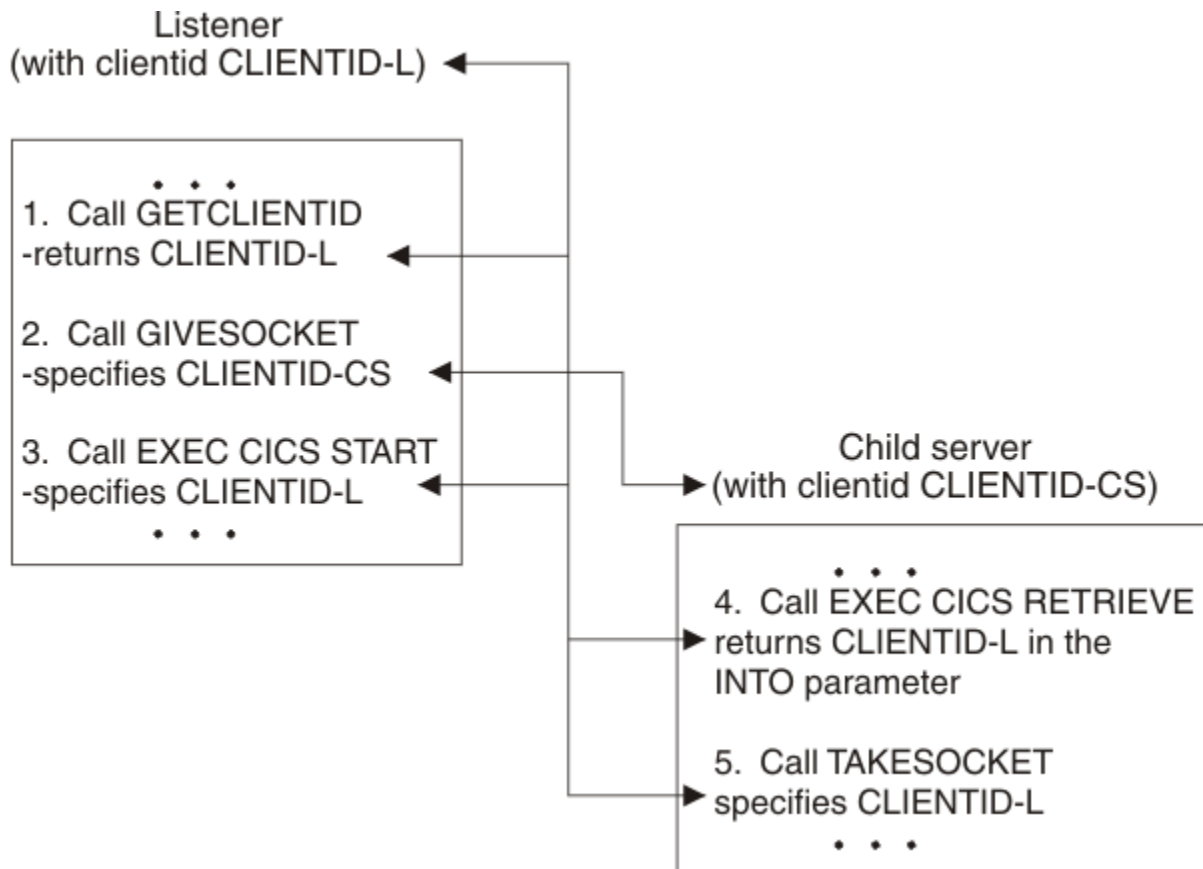


Figure 106. Transfer of CLIENTID information

Figure 106 on page 115 shows the calls used to make a listener socket available to a child server process. It shows the following steps:

1. The listener calls GETCLIENTID. This returns the listener's own CLIENTID (CLIENTID-L), which comprises the MVS address space name and subtask identifier of the listener. The listener transaction needs access to its own CLIENTID for step "3" on page 115.
2. The listener calls GIVESOCKET, specifying a socket descriptor and the CLIENTID of the child server.

If the listener and child server processes are in the same CICS region (and so in the same address space), the MVS address space identifier in CLIENTID can be set to blanks. This means that the listener's address space is also the child's address space.

If the listener and child server processes are in different CICS regions, enter the new address space and subtask.

In the CLIENTID structure, the supplied listener sets the address space name and subtask identifier to blanks. This makes the socket available to a TAKESOCKET command from any task in the same MVS image, but only the child server receives the socket descriptor number, so the exposure is minimal. For total integrity, the subtask identifier of the child server should be entered.
3. The listener performs an EXEC CICS START. In the FROM parameter, the CLIENTID-L, obtained by the previous GETCLIENTID, is specified. The listener is telling the new child server where to retrieve its socket from in step "5" on page 115.
4. The child server performs an EXEC CICS RETRIEVE. In the INTO parameter, CLIENTID-L is retrieved.
5. The child server calls TAKESOCKET, specifying CLIENTID-L as the process from which it wants to take a socket.

CICS application transaction (IBM listener)

In a CICS system based on SNA terminals, the CICS terminal management modules perform the functions of a concurrent server. Because the TCP/IP interface does not use CICS terminal management, CICS TCP/IP provides these functions in the form of a CICS application transaction, the listener. The CICS transaction ID of the IBM distributed listener is CSKL. This transaction is defined at installation to execute the EZACIC02 program and is to be further referenced as the listener. This transaction ID can be configured to a transaction ID suitable for the user's requirements through the use of the EZACICD macro or the EZAC CICS transaction and the accompanying RDO transaction definition.

The listener performs the following functions:

- It issues appropriate TCP/IP calls to listen on the port specified in the configuration file and waits for incoming connection requests issued by clients. The port number must be reserved in the *hlq.TCPIP.PROFILE* to the CICS region using the TCP/IP CICS sockets interface.
- When an incoming connection request arrives, the listener accepts it and obtains a new socket to pass to the CICS child server application program.
- The standard listener starts the CICS child server transaction based on information in the first message on the new connection. The format of this information is given in “IBM listener input format” on page 116. For the enhanced listener, it starts the CICS child server transaction based on information in the TCP/IP CICS configuration file, EZACONFG.
- It waits for the child server transaction to take the new socket and then issues the close call. When this occurs, the receiving application assumes ownership of the socket and the listener has no more interest in it.

The listener program is written so that some of this activity goes on in parallel. For example, while the program is waiting for a new server to accept a new socket, it listens for more incoming connections. The program can be in the process of starting 49 child servers simultaneously. The starting process begins when the listener accepts the connection and ends when the listener closes the socket it has given to the child server.

Table 13 on page 116 illustrates the listener configuration in contrast with the connected clients address family and indicates the contents of the IPv4 and IPv6 IP address fields presented to the security or transaction exit.

Table 13. Listener configuration presented to security or transaction exit

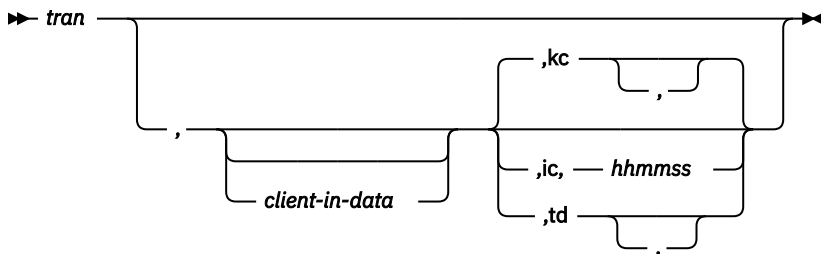
Listeners AF configuration	Connected client's AF	Exits address family	Exits client's IPv4 address	Exits client's IPv6 address	Exits listener's IPv4 address	Exits listener's IPv6 address
not specified	AF_INET	AF_INET	IPv4 addr	zeros	IPv4 addr	zeros
AF_INET	AF_INET	AF_INET	IPv4 addr	zeros	IPv4 addr	zeros
AF_INET6	AF_INET	AF_INET6	zeros	IPv4 mapped IPv6 addr	zeros	IPv4 mapped IPv6 addr
AF_INET6	AF_INET6	AF_INET6	zeros	IPv6 addr	zeros	IPv6 addr

IBM listener input format

The standard listener requires the following input format from the client in its first transmission. The client should then wait for a response before sending any subsequent transmissions. Input can be in uppercase or lowercase. The commas are required.

Note: Because the listener cannot distinguish between a comma used as a delimiter in the listener's initial message and a comma that is part of the client-in-data format, the client-in-data format should not

contain a comma. In text such as x'2C' in ASCII data or such as '6B' in EBCDIC data, the single quote can be interpreted as a comma.



tran

The CICS transaction ID (in uppercase) that the listener is going to start. This field can be one to four characters.

client-in-data

Optional. Application data, used by the optional security exit⁹ or the server transaction. The maximum length of this field is a 40-byte character (35 bytes, plus 1 byte filler and 4 bytes for startup type).

/ic/td/kc

Optional. The startup type that can be either KC for CICS task control, IC for CICS interval control or TD for CICS transient data. These can also be entered in lowercase (kc, ic, or td). If this field is left blank, startup is immediate using CICS task control (KC). KC or kc can be specified to indicate that the child server task is started using EXEC CICS START with no delay interval. This is the same as specifying IC,000000.

hmmmss

Optional. Hours, minutes, and seconds for interval time if the transaction is started using interval control. All six digits must be given.

Note: TD ignores the timefield.

Examples of client input and the listener processing

The following are examples of client input and the listener processing that results from them. The data fields referenced can be found in [“IBM listener output format”](#) on page 118.

Note: Parameters are separated by commas.

Example	Listener response
TRN1,userdataishere	It starts the CICS transaction TRN1 using task control, and passes to it the data userdataishere in the field CLIENT-IN-DATA.
TRN2,,IC,000003	It starts the CICS transaction TRN2 using interval control, without user data. There is a 3-second delay between the initiation request from the listener and the transaction startup in CICS.

⁹ See [“Writing your own security or transaction link modules for the listener”](#) on page 124

Example	Listener response
TRN3,userdataishere,TD	It writes a message to the transient data queue named TRN3 in the format described by the structure TCPSOCKET-PARM, described in “IBM listener output format” on page 118. The data contained in userdataishere is passed to the field CLIENT-IN-DATA. This queue must be an intrapartition queue with trigger-level set to 1. It causes the initiation of transaction TRN3 if it is not already active. This transaction should be written to read the transient data queue and process requests until the queue is empty. This mechanism is provided for those server transactions that are used very frequently and for which the overhead of initiating a separate CICS transaction for each server request could be a performance concern.
TRN3,,TD	It causes data to be placed on transient data queue TRN3, which in turn causes the start or continued processing of the CICS transaction TRN3, as described in the TRN3 previous example. There is no user data passed.
TRN4	It starts the CICS transaction TRN4 using task control. There is no user data passed to the new transaction.

IBM listener output format

There are two different formats for the listener output; one for child server tasks started through a standard listener and one for child server tasks started through the enhanced listener.

Guidelines: The listener output format now supports an IPv6 socket address structure for both the standard and the enhanced listener. The size of the standard listener output format has increased. Child server programs should consider the following:

- A child server transaction program, using the EXEC CICS RETRIEVE function to get the data passed to it by the listener, should expand the storage it has allocated to contain the IPv6 socket address structure. The LENGTH specified on the EXEC CICS RETRIEVE function should reflect the amount of storage allocated to contain the listener output format. The LENGERR flag is raised if the LENGTH is smaller than the amount of data sent. Coding a HANDLE condition allows you to contain this.
- A child server transaction program, using the EXEC CICS READQ TD function to get the data placed on a CICS Transient Data Queue by the listener, should expand the storage it has allocated to contain the IPv6 socket address structure. The LENGTH specified on the EXEC CICS READQ TD function should reflect the amount of storage allocated to contain the listener output format.

[Table 14 on page 118](#) shows the format of the listener output data area passed to the child server through a standard listener.

Table 14. Listener output format - Standard listener

Description	Offset	Format	Value
Socket descriptor being given to the child subtask	0	Fullword binary	Socket number to be specified on the TAKESOCKET command by the child subtask
MVS address space identifier	+4	8-byte character	Name of the listener's address space
TCP/IP task identifier	+12	8-byte character	The listener's task identifier

Table 14. Listener output format - Standard listener (continued)

Description	Offset	Format	Value
Data area	+20	35-byte character	Either the CLIENT-IN-DATA from the listener (if FORMAT is STANDARD) or the first 35 bytes data that was read by the listener (if FORMAT is ENHANCED)
OTE	+55	1-byte character	Indicates that the IP CICS socket interface is using CICS Open Transaction Environment. 1 Using OTE 0 Using MVS subtasks
Filler	+55	1-byte character	Unused byte for fullword alignment
Socket address structure	+56	28 bytes	
Addressing family	+56	Halfword binary	Is 2 to indicate AF_INET or 19 to indicate AF_INET6
IPv4 portion of the socket address structure	+58	26 bytes	See the next three fields
Port number	+58	Halfword binary	The client's port number
32-bit IPv4 address	+60	Fullword binary	The IPv4 address of the client's host
Unused portion	+64	8 bytes	Reserved
	+72	12 bytes	For alignment with the IPv6 socket address structure
IPv6 portion of the socket address structure	+58	26 bytes	See the next four fields
Port number	+58	Halfword binary	The client's port number
Flow Information	+60	Fullword binary	Indicates traffic class and flow label
128-bit IPv6 address	+64	16 bytes	The IPv6 address of the client's host
Scope ID	+80	Fullword binary	Indicates link scope
Reserved	+84	17 fullwords	Reserved for future use

For a standard listener, the following COBOL definition is used:

```

01 TCPSOCKET-PARM.
05 GIVE-TAKE-SOCKET      PIC 9(8) COMP.
05 LSTN-NAME            PIC X(8).
05 LSTN-SUBNAME         PIC X(8).
05 CLIENT-IN-DATA      PIC X(35).
05 OTE                  PIC X(1).
05 SOCKADDR-IN-PARM.
10 SOCK-SIN REDEFINES SOCK-DATA.
15 SOCK-SIN-PORT        PIC 9(4) BINARY.
15 SOCK-SIN-ADDR        PIC 9(8) BINARY.
15 FILLER                PIC X(8).
15 FILLER                PIC X(12).
10 SOCK-SIN6 REDEFINES SOCK-DATA.
15 SOCK-SIN6-PORT       PIC 9(4) BINARY.
15 SOCK-SIN6-FLOWINFO   PIC 9(8) BINARY.
15 SOCK-SIN6-ADDR.
20 FILLER                PIC 9(16) BINARY.
20 FILLER                PIC 9(16) BINARY.
15 SOCK-SIN6-SCOPEID    PIC 9(8) BINARY.
05 FILLER                PIC X(68).

```

Figure 107. Example of COBOL layout of the listener output format - Standard listener

```

DCL 1 TCPSOCKET_PARM,
2 GIVE_TAKE_SOCKET      FIXED BIN(31),
2 LSTN_NAME            CHAR(8),
2 LSTN_SUBNAME         CHAR(8),
2 CLIENT_IN_DATA      CHAR(35),
2 OTE                  CHAR(1),
2 FILLER_1             CHAR(1),
2 SOCK_FAMILY          FIXED BIN(15),
2 SOCK_SIN_PORT        FIXED BIN(15),
2 SOCK_SIN_ADDR        FIXED BIN(31),
2 SOCK_SIN_RESERVED    CHAR(8),
2 SOCK_SIN_FILLER      CHAR(12),
2 FILLER_68            CHAR(68);

```

Figure 108. Example of PL/I layout of the listener output format - Standard listener with an IPv4 socket address structure

```

DCL 1 TCPSOCKET_PARM,
2 GIVE_TAKE_SOCKET      FIXED BIN(31),
2 LSTN_NAME            CHAR(8),
2 LSTN_SUBNAME         CHAR(8),
2 CLIENT_IN_DATA      CHAR(35),
2 OTE                  CHAR(1),
2 SOCK_FAMILY          FIXED BIN(15),
2 SOCK_SIN6_PORT       FIXED BIN(15),
2 SOCK_SIN6_FLOWINFO   FIXED BIN(31),
2 SOCK_SIN6_ADDR       CHAR(16),
2 SOCK_SIN6_SCOPEID    FIXED BIN(31),
2 FILLER_68            CHAR(68);

```

Figure 109. Example of PL/I layout of the listener output format - Standard listener with an IPv6 socket address structure

```

TCPSOCKET_PARM DS 0C
GIVE_TAKE_SOCKET DS F
LSTN_NAME DS CL8
LSTN_SUBNAME DS CL8
CLIENT_IN_DATA DS CL35
OTE DS CL1
SOCKADDR DS 0F
SOCK_FAMILY DS H
SOCK_DATA DS 0C
SOCK#LEN EQU *-SOCKADDR
          ORG SOCK_DATA
SOCK_SIN DS 0C
SOCK_SIN_PORT DS H
SOCK_SIN_ADDR DS CL4
          DS CL8
          DS 20F
SOCK_SIN#LEN EQU *-SOCK_SIN
          ORG SOCK_DATA
SOCK_SIN6 DS 0C
SOCK_SIN6_PORT DS H
SOCK_SIN6_FLOWINFO DS CL4
SOCK_SIN6_ADDR DS CL16
SOCK_SIN6_SCOPE_ID DS CL4
SOCK_SIN6#LEN EQU *-SOCK_SIN6
          ORG
          DS CL68

```

Figure 110. Example of Assembler layout of the listener output format - Standard listener supporting both an IPv4 and an IPv6 socket address structure

```

struct sock_tim {
    unsigned long   give_take_socket;
    char           listen_name[8];
    char           listen_taskid[8];
    char           client_in_data[35];
    char           ote[1];
    union {
        struct sockaddr_in sin;
        struct sockaddr_in6 sin6;
    } sockaddr_in_parm;
    char           reserved2[68];
}

```

Figure 111. Example of C structure of the listener output format - Standard listener supporting both an IPv4 and an IPv6 socket address structure

Table 15 on page 121 shows the format of the listener output data area passed to the child server through the enhanced listener.

Note: With the enhanced listener, no CLIENT-IN-DATA is extracted from the initial client data. The child server program must either read the initial client data itself (if PEEKDATA is YES) or obtain it from DATA-AREA-2 (if PEEKDATA is NO). If a listener is converted from a standard listener to an enhanced listener, its corresponding child server applications must be changed to handle the larger transaction initial message (TIM) by specifying a large enough length on the EXEC CICS RETRIEVE command or on the EXEC CICS READQ TD command. Otherwise, the command fails with a LENGERR response and the child server task could abend.

Table 15. Listener output format - Enhanced listener

Description	Offset	Format	Value
Socket descriptor being given to the child subtask	0	Fullword binary	Socket number to be specified on the TAKESOCKET command by the child subtask
MVS address space identifier	+4	8-byte character	Name of the listener's address space
TCP/IP task identifier	+12	8-byte character	The listener's task identifier

Table 15. Listener output format - Enhanced listener (continued)

Description	Offset	Format	Value
Data area	+20	35-byte character	Either the CLIENT-IN-DATA from listener (if FORMAT is STANDARD) or the first 35 bytes of data read by the listener (if FORMAT is ENHANCED)
OTE	+55	1-byte character	Indicates that the IP CICS socket interface is using CICS's Open Transaction Environment. 1 Using OTE 0 Using MVS subtasks
Socket address structure	+56	28 bytes	
Addressing family	+56	Halfword binary	Is 2 to indicate AF_INET or 19 to indicate AF_INET6
IPv4 portion of the socket address structure	+58	26 bytes	See the next three fields
Port number	+58	Halfword binary	The client's port number
32-bit IPv4 address	+60	Fullword binary	The IPv4 address of the client's host
Unused portion	+64	8 bytes	Reserved
	+72	12 bytes	For alignment with the IPv6 socket address structure
IPv6 portion of the socket address structure	+58	26 bytes	See the next four fields
Port number	+58	Halfword binary	The client's port number
Flow Information	+60	Fullword binary	Indicates traffic class and flow label
128-bit IPv6 address	+64	16 bytes	The IPv6 address of the client's host
Scope ID	+80	Fullword binary	Indicates link scope
Reserved	+84	17 fullwords	Reserved for future use
Data length	+152	Halfword binary	The length of the data received from the client. If the PEEKDATA option was configured, Data length is zero with no data in Data area-2.
Data area - 2	+154	Length determined by the previous field	The data received from the client starting at position 1

For the enhanced listener, the following COBOL definition is used:

```

01 TCPSOCKET-PARM.
05 GIVE-TAKE-SOCKET      PIC 9(8) COMP.
05 LSTN-NAME            PIC X(8).
05 LSTN-SUBNAME         PIC X(8).
05 CLIENT-IN-DATA       PIC X(35).
05 OTE                  PIC X(1).
05 SOCKADDR-IN-PARM.
10 SOCK-FAMILY          PIC 9(4) BINARY
10 SOCK-DATA            PIC x(26)
10 SOCK-SIN REDEFINES SOCK-DATA.
15 SOCK-SIN-PORT       PIC 9(4) BINARY.
15 SOCK-SIN-ADDR       PIC 9(8) BINARY.
15 FILLER              PIC X(8).
15 FILLER              PIC X(12).
10 SOCK-SIN6 REDEFINES SOCK-DATA.
15 SOCK-SIN6-PORT     PIC 9(4) BINARY.
15 SOCK-SIN6-FLOWINFO PIC 9(8) BINARY.
15 SOCK-SIN6-ADDR.
20 FILLER             PIC 9(16) BINARY.
20 FILLER             PIC 9(16) BINARY.
15 SOCK-SIN6-SCOPEID  PIC 9(8) BINARY.
05 FILLER              PIC X(68).
05 CLIENT-IN-DATA-LENGTH PIC 9(4) BINARY.
05 CLIENT-IN-DATA-2    PIC X(XXX).

```

Figure 112. Example of COBOL layout of the listener output format - Enhanced listener

The value of xxx is at least equal to the largest MSGLENGTH parameter for the listeners that can start this application.

```

DCL 1 TCPSOCKET_PARM,
2 GIVE_TAKE_SOCKET      FIXED BIN(31),
2 LSTN_NAME            CHAR(8),
2 LSTN_SUBNAME         CHAR(8),
2 CLIENT_IN_DATA       CHAR(35),
2 OTE                  CHAR(1),
2 SOCK_FAMILY          FIXED BIN(15),
2 SOCK_SIN_PORT        FIXED BIN(15),
2 SOCK_SIN_ADDR        FIXED BIN(31),
2 SOCK_SIN_RESERVED    CHAR(8),
2 SOCK_SIN_FILLER     CHAR(12),
2 FILLER_68            CHAR(68),
2 CLIENT_IN_DATA_LENGTH FIXED BIN(15),
2 CLIENT_IN_DATA_2     CHAR(XXX);

```

Figure 113. Example of PL/I layout of the listener output format - Enhanced listener with an IPv4 socket address structure

The value of xxx is at least equal to the largest MSGLENGTH parameter for the listeners that can start this application.

```

DCL 1 TCPSOCKET_PARM,
2 GIVE_TAKE_SOCKET      FIXED BIN(31),
2 LSTN_NAME            CHAR(8),
2 LSTN_SUBNAME         CHAR(8),
2 CLIENT_IN_DATA       CHAR(35),
2 OTE                  CHAR(1),
2 SOCK_FAMILY          FIXED BIN(15),
2 SOCK_SIN6_PORT        FIXED BIN(15),
2 SOCK_SIN6_FLOWINFO   FIXED BIN(31),
2 SOCK_SIN6_ADDR       CHAR(16),
2 SOCK_SIN6_SCOPEID    FIXED BIN(31),
2 FILLER_68            CHAR(68),
2 CLIENT_IN_DATA_LENGTH FIXED BIN(15),
2 CLIENT_IN_DATA_2     CHAR(XXX);

```

Figure 114. Example of PL/I layout of the listener output format - Enhanced listener with an IPv6 socket address structure

The value of xxx is at least equal to the largest MSGLENGTH parameter for the listeners that can start this application.

```

TCPSOCKET_PARM DS 0C
GIVE_TAKE_SOCKET DS F
LSTN_NAME DS CL8
LSTN_SUBNAME DS CL8
CLIENT_IN_DATA DS CL35
OTE DS CL1
SOCKADDR DS 0F
SOCK_FAMILY DS H
SOCK_DATA DS 0C
SOCK#LEN EQU *-SOCKADDR
ORG SOCK_DATA
SOCK_SIN DS 0C
SOCK_SIN_PORT DS H
SOCK_SIN_ADDR DS CL4
DS CL8
DS 20F
SOCK_SIN#LEN EQU *-SOCK_SIN
ORG SOCK_DATA
SOCK_SIN6 DS 0C
SOCK_SIN6_PORT DS H
SOCK_SIN6_FLOWINFO DS CL4
SOCK_SIN6_ADDR DS CL16
SOCK_SIN6_SCOPE_ID DS CL4
SOCK_SIN6#LEN EQU *-SOCK_SIN6
ORG
DS CL68
CLIENT_IN_DATA_LENGTH DS H
CLIENT_IN_DATA_2 DS 0CL

```

Figure 115. Example of assembler layout of the listener output format - Enhanced listener supporting both an IPv4 and an IPv6 socket address structure

```

struct sock_tm {
    unsigned long   give_take_socket;
    char            listen_name[8];
    char            listen_taskid[8];
    char            client_in_data[35];
    char            ote[1];
    union {
        struct sockaddr_in sin;
        struct sockaddr_in6 sin6;
    } sockaddr_in_parm;
    char            reserved2[68];
    short           client_in_data_length;
    char            client_in_data_2[xxx];
}

```

Figure 116. Example of C structure of the listener output format - Enhanced listener supporting both an IPv4 and an IPv6 socket address structure

The value of xxx is at least equal to the largest MSGLENGTH parameter for the listeners that can start this application.

Writing your own security or transaction link modules for the listener

The listener process provides an exit point for those users who want to write and include a module that performs the following:

- Check to indicate whether the expanded security or transaction input format is used
- Security check before a CICS transaction is initiated

The exit point is implemented so that if a module is not provided, all valid transactions are initiated.

If you write a security or transaction module, you can name it anything you want, as long as you define it in the configuration data set. In previous releases, you needed to name the module EZACICSE; you can still use that module name. You can write this program in COBOL, PL/I, or assembler language, and you must provide an appropriate CICS program definition.

Note: Specify the name of the security or transaction module in the SECEXIT field in Alter or Define. If you do not name the module, CICS assumes you do not have this module. See [Figure 63 on page 69](#) for more information about this process.

Just before the child server task creation process, the listener invokes the security or transaction module by a conditional CICS LINK passing a COMMAREA. The listener passes a data area to the module that contains information for the module to use for security checking and a 1-byte switch. Your security or transaction module should perform a security check and set the switch accordingly. Included in this data is the OTE indicator which indicates when the IP CICS socket interface is using CICS's open transaction environment. The security exit should follow threadsafe programming practices to ensure that CICS continues to execute the listener on an open API TCB.

When the security or transaction module returns, the listener checks the state of the switch and initiates the transaction if the switch indicates security clearance. The module can perform any function that is valid in the CICS environment. Excessive processing, however, could cause performance degradation.

A field is supplied to indicate if the expanded security or transaction input format is used. If used, fields also exist for the listener's IP address and port number, a data length field, and a second data area (up to MSGLENTH in length). [Table 16 on page 125](#) shows the data area used by the security or transaction module.

Table 16. security or transaction exit data

Description	Offset	Format	Value
CICS transaction identifier	0	4-byte character	CICS transaction requested by the client or supplied by the CSTRANID parameter.
Data area	+4	35-byte character	If the FORMAT parameter value is STANDARD, then this contains the 35-byte application data that was extracted from the client's initial data. Otherwise, it contains up to the first 35 bytes of data sent by the client (The MSGLENTH value determines the limit).
security or transaction exit data level	+39	1-byte character	Indicates whether or not this data area is in the expanded format: 1 Expanded format (the area in green is included) 0 Not expanded (the area in green is not included)
OTE indicator	+40	1-byte character	Indicates whether the IP CICS socket interface is using CICS's open transaction environment. 1 Using OTE 0 Using MVS subtasks

Table 16. security or transaction exit data (continued)

Description	Offset	Format	Value
TTLS indicator	+41	1-byte character	Indicates whether this connection is secured using AT-TLS. 1 This connection is secured using AT-TLS 0 This connection is not secured using AT-TLS
Register Application Data	+42	1-byte character	Indicates that application data is registered against the accepted connection to be given. This flag has the value 1 when either the LAPPLD value is yes or the LAPPLD parameter inherited the APPLDAT=YES specification. 1 Application data is registered 0 Application data is not registered
Reserved	+43	1-byte character	Reserved for IBM use.
Action	+44	2-byte character	Method of starting the task: IC Interval control KC Task control TD Transient data
Interval control time	+46	6-byte character	Interval requested for IC start. Has the form <i>hhmmss</i> .
Address family	+52	Halfword binary	Network address family. The value contains a 2 to indicate AF_INET and a 19 to indicate AF_INET6.
Client's port	+54	Halfword binary	The number of the requestor's port.
Client's IPv4 address	+56	Fullword binary	The IPv4 address of the requestor's host.
Switch	+60	1-byte character	1 Permit the transaction Not 1 Prohibit the transaction

Table 16. security or transaction exit data (continued)

Description	Offset	Format	Value
Switch-2	+61	1-byte character	<p>1 Listener sends message to the client</p> <p>Not 1 security or transaction exit sends message to client</p>
Terminal identification	+62	4-byte character	Return binary zeroes if no terminal is to be associated with the new task. Otherwise, return the CICS terminal ID to be associated with the new task.
Socket descriptor	+66	Halfword binary	Current socket descriptor.
User ID	+68	8-byte character	<p>A user ID can be returned so that it is associated with the new task. This is mutually exclusive from terminal ID.</p> <ul style="list-style-type: none"> • If the GETTID value is YES in the listener definition and the listener is able to obtain the user ID that is associated with the connection client's certificate, then this field is initialized using that user ID. Otherwise, it is initialized as binary zeroes. The security exit can use that user ID to identify the client. • If the security exit permits the transaction and does not overwrite this field, then the child server task inherits this user ID (unless the start type is TD). • If the security exit overwrites this field with nulls or blanks, then the child server inherits the listener task's user ID (unless the start type is TD). • If the security exit overwrites this field with another user ID, then the child server task inherits that user ID (unless the start type is TD). The user ID under which the listener executes must have RACF surrogate authority to use any user ID that can be specified by this field. <p>See the z/OS Security Server RACF Security Administrator's Guide for details.</p>
Listener's IPv4 address	+76	Fullword binary	The local IPv4 address associated with this new TCP/IP connection.
Listener's port	+80	Halfword binary	The listener's port number.

Table 16. security or transaction exit data (continued)

Description	Offset	Format	Value
Listener's IPv6 address	+82	16 bytes binary	The local IPv6 address associated with this new TCP/IP connection.
Listener's scope ID	+98	Fullword binary	The scope ID of the listener's IPv6 address.
Client's IPv6 address	+102	16 bytes binary	The IPv6 address of the requestor's host.
Client's scope ID	+118	Fullword binary	The scope ID of the listener's IPv6 address.
Client's certificate length	+122	Halfword binary	Indicates whether the client's certificate exists.
Client's certificate address	+124	Fullword binary	The address of the client's certificate.
Reserved	+128	34 bytes	Reserved for future use.
Data length	+162	Halfword binary	The length of the data received from the client.
Data area - 2	+164	Length determined by the previous field	The data received from the client starting at position 1. If this is the enhanced listener, the first 35 bytes are the same as Data Area-1.

Note:

1. The security/user exit can change the value of the following fields:

- CICS transaction identifier
- Data area
- Action
- Register Application Data
- Interval control time
- Address family
- Client's port
- Client's IPv4 address
- Switch
- Terminal identification (output only)
- User ID
- Client's IPv6 address
- Client's Scope ID
- Data length
- Data area -2

2. Although the security exit can alter the contents of the Data area, Data length, and Data area -2 fields when PEEK=YES, the changed values are not reflected to the child server in the listener input data. The child server must read the data itself if the listener is configured with PEEK=YES.

Use the EZACICSX assembler macro contained in the *hlq.SEZACMAC* dataset to format the security/user exit COMMAREA pass by the listener.

Threadsafe considerations for IP CICS sockets applications

This topic describes how to enable IP CICS sockets applications to exploit the Open Transaction Environment (OTE) through threadsafe programming.

The IP CICS socket interface includes the IP CICS sockets task-related user exit, EZACIC01, which is invoked when an application program makes an EZASOKET request. This includes the following programs:

- EZASOKET
- EZACICSO
- EZACICAL
- using any of the IP CICS C sockets functions that are provided through EZACIC17 (Programs using IP CICS sockets functions that are provided through EZACIC07 are not considered threadsafe due to not being re-entrant.)

The IP CICS socket interface manages the process of transferring to TCP/IP and returning control to the application program when EZASOKET processing is complete.

When the IP CICS sockets configuration option is specified as OTE=NO, then the IP CICS sockets task-related user exit operates as a quasi-reentrant task-related user exit program. It runs on the CICS main TCB (the QR TCB) and uses its own MVS subtask TCB to process the EZASOKET request. However, when the IP CICS sockets configuration option is specified as OTE=YES, then the IP CICS socket interface exploits the Open Transaction Environment (OTE) to enable the IP CICS sockets task-related user exit to invoke and return from TCP/IP without switching TCBs. In the OTE, the IP CICS sockets task-related user exit operates as a threadsafe and open API task-related user exit program; it is automatically enabled using the OPENAPI option on the ENABLE PROGRAM command during connection processing. This enables it to receive control on an open L8 mode TCB.

In the OTE, if the user application program that invoked the task-related user exit conforms to threadsafe coding conventions and is defined to CICS as threadsafe, it can also run on the L8 TCB. Before its first EZASOKET request, the application program runs on the CICS main TCB, the QR TCB. When it makes an EZASOKET request and invokes the task-related user exit, control passes to the L8 TCB, and IP CICS sockets processing is carried out. On return from TCP/IP, if the application program is threadsafe, it continues to run on the L8 TCB.

When the correct conditions are met, the use of open TCBs for IP CICS sockets applications decreases usage of the QR TCB, and avoids TCB switching. An ideal IP CICS sockets application program for the open transaction environment is a threadsafe program, containing only threadsafe EXEC CICS commands, and using only threadsafe user exit programs. An application like this moves to an L8 TCB when it makes its first EZASOKET request, and then continues to run on an L8 TCB through any amount of IP CICS sockets requests and application code, requiring no TCB switching. This situation produces a significant performance improvement where an application program issues multiple EZASOKET calls. The gains are also significant when making a Db2 request because the Db2 task-related user exit also operates as threadsafe and exploits the open transaction environment. If the application program does not issue many EZASOKET calls, the performance benefits might not be as significant.

If the execution of a user application involves any actions that are not threadsafe, CICS switches back to the QR TCB. Such actions are non-threadsafe CICS requests issued by the program, the use of non-threadsafe task-related user exits, and the involvement of non-threadsafe global user exits. Switching back and forth between the open TCB and the QR TCB is detrimental to the application's performance.

Requirements: In order to gain the performance benefits of the OTE for IP CICS sockets applications, you must meet the following conditions:

- IP CICS sockets must be configured to use the Open Transaction Environment with the OTE=YES configuration option.
- The system initialization parameter FORCEQR must be set to NO. FORCEQR forces programs defined as threadsafe to run on the QR TCB; it can be set to YES as a temporary measure while problems

connected with threadsafe-defined programs are investigated and resolved. FORCEQR applies to all programs defined as threadsafe that are not invoked as task-related user exits, global user exits, or user-replaceable modules.

- The IP CICS sockets application must have threadsafe application logic (that is, the native language code in between the EXEC CICS commands must be threadsafe), use only threadsafe EXEC CICS commands, and be defined to CICS as threadsafe. Only code that has been identified as threadsafe is permitted to execute on open TCBs. If your IP CICS sockets application is not defined as threadsafe, or if it uses EXEC CICS commands that are not threadsafe, TCB switching occurs and some or all of the performance benefits of OTE exploitation are lost. If your IP CICS sockets application is defined as threadsafe and it contains non-threadsafe code between the EXEC CICS commands, unpredictable results can occur.
- Any global user exits on the execution path used by the application must be coded to threadsafe standards and defined to CICS as threadsafe.
- Any other task-related user exits used by the application must be defined to CICS as threadsafe or enabled as OPENAPI.

See <http://www.ibm.com/software/htp/cics/library/> for information about how to make application programs and user exit programs threadsafe. By defining a program to CICS as threadsafe, you are specifying that only the application logic is threadsafe, not that all the EXEC CICS commands included in the program are threadsafe. CICS can ensure that EXEC CICS commands are processed safely by switching to the QR TCB for those commands not yet converted that must be quasi-reentrant. To permit your program to run on an open TCB, CICS requires you to verify that your application logic is threadsafe.

See <http://www.ibm.com/software/htp/cics/library/> for more information about the EXEC CICS commands that are threadsafe and do not involve TCB switching.

If a user application program in the open transaction environment is not threadsafe, the IP CICS sockets task-related user exit still runs on an L8 TCB, but the application program runs on the QR TCB throughout the task. Every time the program makes an EZASOKET request, CICS switches from the QR TCB to the L8 TCB and back again, so the performance benefits of the open transaction environment are negated.

Table 17 on page 130 shows what happens when application programs with different concurrency attributes invoke the IP CICS sockets task-related user exit.

<i>Table 17. Different concurrency attributes for IP CICS sockets task-related user exits</i>		
Program's concurrency attribute	IP CICS sockets task-related user exit's operation	Effect
QUASIRENT or THREADSAFE	Quasi-reentrant when OTE=NO	Application program and task-related user exit run under the CICS QR TCB. The task-related user exit manages its own TCBs, switching to and from them for each EZASOKET request.
QUASIRENT	Threadsafe and open API (when OTE=YES)	Application program runs under the CICS QR TCB. Task-related user exit runs under an L8 TCB, and EZASOKET calls are executed under the L8 TCB. CICS switches to and from the CICS QR and the L8 TCB for each EZASOKET call.

Table 17. Different concurrency attributes for IP CICS sockets task-related user exits (continued)

Program's concurrency attribute	IP CICS sockets task-related user exit's operation	Effect
THREADSAFE	Threadsafe and open API (when OTE=YES)	OTE exploitation. Task-related user exit runs under an open API, L8 TCB, and EZASOKET calls are executed under the open API, L8, TCB. The application program also runs on the open API, L8, TCB when control is returned to it. No TCB switches are needed until the task terminates, or the program issues a non-threadsafe CICS command, which forces a switch back to the QR TCB for CICS to ensure resource integrity.

If you define a program with CONCURRENCY(THREADSAFE), then all routines that are statically or dynamically called from that program (for example, COBOL routines) must also be coded to threadsafe standards.

When an EXEC CICS LINK command is used to link from one program to another, the program link stack level is incremented. However, a routine that is statically called, or dynamically called, does not involve passing through the CICS command level interface, and does not cause the program link stack level to be incremented. With COBOL routines, for a static call, a simple branch and link is used when an address is resolved by the Linkage Editor. For a dynamic call, although there is a program definition involved, this is required only so Language Environment® can load the program. After the load, a simple branch and link is executed. When a routine is called by either of these methods, CICS does not regard this as a change of program. The program that called the routine is still considered to be executing, and the program definition for that program is still considered to be the current one.

If the program definition for the calling program states CONCURRENCY(THREADSAFE), then the called routine must also comply with this specification. Programs with the CONCURRENCY(THREADSAFE) attribute remain on an open API TCB until they return from a EZASOKET call, and this is not appropriate for a program that is not threadsafe. For example, consider the situation where the initial program of a transaction, program A, issues a dynamic call to program B, which is a COBOL routine. Because the CICS command level interface was not involved, CICS is unaware of the call to program B, and considers the current program to be program A. Program B further issues a EZASOKET call. On return from the EZASOKET call, CICS needs to determine whether the program can remain on the open API TCB, or whether the program must switch back to the QR TCB to ensure threadsafe processing. To do this, CICS examines the CONCURRENCY attribute of what it considers to be the current program, which is program A. If program A is defined as CONCURRENCY(THREADSAFE), then CICS allows processing to continue on the open API TCB. In fact program B is executing, so if processing is to continue safely, program B must be coded to threadsafe standards.

In summary, to gain the performance benefits of the open transaction environment:

1. IP CICS sockets must be configured to use the open transaction environment by the use of the OTE=YES configuration option.
2. FORCEQR must be set to NO.
3. The IP CICS sockets application must have threadsafe application logic (that is, the native language code in between the EXEC CICS commands must be threadsafe), use only threadsafe EXEC CICS commands, and be defined to CICS as threadsafe. If the application program is not defined as threadsafe, and so must operate on the CICS QR TCB, TCB switching occurs for every EZASOKET request, even if the task-related user exit is running on an open TCB. If the application program is defined as threadsafe but uses non-threadsafe EXEC CICS commands, TCB switching occurs for every non-threadsafe EXEC CICS commands.

4. The IP CICS sockets application must use only threadsafe task-related user exits and global user exits. If any non-threadsafe exits are used, this forces a switch back to the QR TCB. If application programs are defined to CICS as CONCURRENCY(THREADSAFE) and they contain non-threadsafe code, unpredictable results can occur.

How CICS selects an L8 mode TCB

The CICS dispatcher manages the pool of L8 mode TCBs up to the limit set by the MAXOPENTCBS system initialization parameter. At any one time, the pool can consist of some TCBs that are allocated to tasks, and others that are free. For example, if the maximum number of L8 mode TCBs is set to 10, at a particular time the pool can consist of 5 TCBs, not all of which are allocated to running tasks. The CICS dispatcher attaches a new TCB when it cannot find a free TCB that is suitable. The process of allocating an L8 mode TCB is summarized in the following steps:

1. If the transaction already has an L8 mode TCB allocated, it is used.
2. If there is a free L8 mode TCB for the current subspace, it is allocated and used.
3. If the number of open TCBs is less than the MAXOPENTCBS limit, a new L8 mode TCB is created, and associated with the task's subspace.
4. If the number of open TCBs is at the MAXOPENTCBS limit, but there is a free L8 mode TCB with the wrong subspace, then the CICS dispatcher destroys it and creates a new one for the required subspace. This technique avoids suspending the task until the number of TCBs is less than the pool limit, and is called **stealing**. This action is recorded in the CICS dispatcher TCB mode statistics under the count of **TCB steals**.
5. If the number of open TCBs is at the MAXOPENTCBS limit and there is no free open TCB to steal, the task is suspended (with an OPENPOOL wait) until one becomes free, or the MAXOPENTCBS limit is increased.

The various events that can occur during the TCB allocation process are recorded in the dispatcher TCB pool statistics, and these are reported by the DFHOSTAT statistics program.

Data conversion routines

CICS uses the EBCDIC data format, whereas TCP/IP networks use ASCII. When moving data between CICS and the TCP/IP network, your application programs must initiate the necessary data conversion. Sockets for CICS programs can use routines provided by TCP/IP Services for:

- Converting data from EBCDIC to ASCII and back (when sending and receiving data to and from the TCP/IP network) with the SEND, SENDMSG, SENDTO, READ, READV, RECV, RECVFROM, RECVMSG, WRITE, and WRITEV calls.
- Converting between bit arrays and character strings when using the SELECT or SELECTEX call.

For details of these routines, see EZACIC04, EZACIC05, and EZACIC06, EZACIC14, and EZACIC15 in Chapter 8, “Sockets extended API,” on page 203.

Application Transparent Transport Layer Security

Before reading this topic, first read the [Application Transparent Transport Layer Security \(AT-TLS\) topic of the z/OS Communications Server: IP Configuration Guide](#).

The z/OS Communications Server TCP/IP stack provides Application Transparent Transport Layer Security (AT-TLS). This allows socket applications that use the TCP protocol to transparently use the Secure Socket Layer protocol (TLS/SSL) to communicate with partners in the network. IP CICS sockets enabled applications can take advantage of this support. This requires the following:

- The TCP/IP stack must support AT-TLS. This can be determined by the TTLS parameter on the TCPCONFIG statement.
- An AT-TLS Policy configuration that matches identifiers of the CICS applications that use it. Examples of identifiers that can be used are whether the application is a listener or client, the IP addresses, and the

ports that are used for communication. Note that for CICS applications, the AT-TLS identity associated with the AT-TLS environment is always the user ID of the CICS region. This is the case even if individual CICS transactions are running under their own identity.

- SSL key rings and certificates must be created for these applications. For CICS applications using SSL, the user ID that is associated with the keyring is that of the CICS region. See the [z/OS Communications Server: IP Configuration Guide](#) for the RACF commands necessary for creating SSL keyrings and certificates. See the [z/OS Security Server RACF Security Administrator's Guide](#) for more information about setting up and managing digital certificates.
- For policy level or application level (such as GETTID) support that requires mapping SSL Certificates to RACF user IDs see the [z/OS Communications Server: IP Configuration Guide](#) for more information.

Careful consideration must be given for IP CICS sockets-enabled applications that act as clients connecting outbound because the AT-TLS policy might not be specific enough to restrict individual CICS users from logging on to and invoking these clients. Additional CICS security controls such as transaction security and resource security can be considered in order to limit users' access to remote hosts. See [“Example of outbound AT-TLS support”](#) on page 134 for more information.

If a CICS listener is AT-TLS enabled but the client does not use SSL, there is a mismatch; AT-TLS receives unencrypted data when it is expecting encrypted data. In this case, AT-TLS resets the connection. See the [Application Transparent Transport Layer Security \(AT-TLS\)](#) topic in the [z/OS Communications Server: IP Configuration Guide](#) for information regarding defining keyrings, client certificates, mapping them to user IDs, permitting users access to keyrings, and other AT-TLS details.

When taking advantage of AT-TLS support, CICS application programmers and TCP/IP administrators must work together to provide the required support. This can also require communication with RACF administrators.

Example of inbound AT-TLS support

No inbound AT-TLS support is needed for listener port 3010, inbound AT-TLS support needed for listener port 3011.

Table 18. Inbound AT-TLS support

AT-TLS Definitions		CICS listener Parameters
TTLRule	CSKRule	TRANID ===> CSKL
{		PORT ===> 03010
LocalPortRange	3010	GETTID ===> NO
Direction	Inbound	TRANID ===> CSKM
TTLGroupActionRef	NOTTLGR	PORT ===> 03011
}		GETTID ===> YES
TTLGroupAction	NOTTLGR	
{		
TTLSEnabled	OFF	
}		
TTLRule	CSKRule	
{		
LocalPortRange	3011	
Direction	Inbound	
TTLGroupActionRef	TTLGRP1	
TTLSEnvironmentActionRef	TTLSENV1	
}		
TTLSEnvironmentAction	TTLSENV1	
{		
HandshakeRole	ServerWithClientAuth	
EnvironmentUserInstance	1	
TTLSEnvironmentAdvancedParmsRef	TTLSEADV1	
}		
TTLSEnvironmentAdvancedParms	TTLSEADV1	
{		
ClientAuthType	SAFcheck	
}		
TTLGroupAction	TTLGRP1	
{		
TTLSEnabled	ON	
}		

Example of outbound AT-TLS support

No outbound AT-TLS support is needed for remote port 3010, outbound AT-TLS support needed for remote port 3011

Table 19. Outbound AT-TLS support

AT-TLS Definitions

```

TTLRule                                ClientRule1
{
RemotePortRange                        3010
Userid                                  CICS1
Direction                              Outbound
TTLGroupActionRef                      NOTTLGR
}
TTLGroupAction                          NOTTLGR
{
TTLSEnabled                            OFF
}

TTLRule                                ClientRule2
{
RemotePortRange                        3011
Direction                              Outbound
TTLGroupActionRef                      TTLGRP2
TTLEnvironmentActionRef               TTLENV2
}
TTLEnvironmentAction                   TTLENV2
{
HandshakeRole                          Client
EnvironmentUserInstance                1
}
TTLGroupAction                          TTLGRP2
{
TTLSEnabled                            ON
}

```

Chapter 7. C language application programming

This topic describes the C language API provided by CICS TCP/IP and contain the following topics:

- “C socket library” on page 137 lists the required header files and explains how to make them available to your programs.
- “C socket compilation” on page 138 shows how to compile a C socket program that contains calls to sockets for CICS.
- “Structures used in socket calls” on page 139 lists data structures used in C language socket calls.
- “The ERRNO variable” on page 142 describes the use of a global variable used by the socket system to report errors.
- “C socket call guidance” on page 142 describes the syntax and semantics of the socket calls and explains what they do and how they work together in the context of an application.
- “Address Testing Macros” on page 200 describes the macros that is used to test special IPv6 addresses.

C socket library

To use the socket routines described in this topic, you must include these header files:

```
bsdtime.h
bsdtypes.h
cmanifes.h (reentrant programs only)
errno.h (reentrant programs only)
ezacichd.h (non-reentrant programs only)
ezbpincf.h (if using the SIOCGPARTNERINFO or SIOCSPARTNERINFO IOCTL calls)
ezbztlsc.h (if using IOCTL calls related to AT-TLS)
fcntl.h
if.h
in.h
inet.h
ioctl.h
manifest.h (non-reentrant programs only)
netdb.h
rtrouteh.h
socket.h
uio.h
```

The files are in the SEZACMAC, SEZAINST, and SEZANMAC data sets, which must be concatenated to the SYSLIB DD in the compilation JCL (as described in Step 1 of “Changes to DFHYITDL” on page 138). These files contain a .h extension in this text to distinguish them as header files.

In the IBM implementation, you must include either manifest.h (if the program is non-reentrant) or cmanifes.h (if the program is reentrant) to remap function long names to 8-character names. To reference manifest.h or cmanifes.h, you need to include one of the following statements as the first #include at the beginning of each program:

```
Non-reentrant programs:
#include <manifest.h>

Reentrant programs:
#include <cmanifes.h>
```

Include the following definition to expose the required IPv6 structures, macros, and definitions in the header files in “C socket library” on page 137:

```
#define __CICS_IPV6
```

Include the following definition to expose structures, macros and definitions in the TCP C header files previously listed:

```
#define __CICS_SOCKETS
```

Include the in.h header before the socket.h header because the socket.h header needs structure types that are defined by in.h.

C socket compilation

To compile a C socket program that contains calls to CICS TCP/IP, you must change the standard procedure for C socket compilation that is provided with CICS. The CICS sample compile procedures are in SDFHSAMP. To compile a C sockets program, modify the DFHYITDL procedure to the version of CICS and the C Compiler that you have installed on your system.

Restriction: The IP CICS C sockets API does not support C++ programs.

For more information about compiling and linking, see [z/OS XL C/C++ User's Guide](#) and [z/OS Communications Server: IP Sockets Application Programming Interface Guide and Reference](#).

Changes to DFHYITDL

1. In the C step (running the C socket compiler) you must concatenate the SEZACMAC, SEZAINST, and SEZANMAC data sets to the SYSLIB DD.
2. In the PLKED step you must concatenate the SEZARNT1 data set to the SYSLIB DD if and only if the program is to be compiled as reentrant (that is, with the RENT option). Ensure that the system administrator has performed the actions listed for Program Reentrancy in *Restrictions for Using MVS TCP/IP API with z/OS Unix* in [z/OS XL C/C++ Programming Guide](#).
3. In the LKED step you must concatenate the SEZATCP and SEZACMTX data sets to the SYSLIB DD.

Compile your program

```
//PROCJOB
...
/* FOR NON-REENTRANT PROGRAMS CODE NORENT ON THE
/* CPARMS=() STATEMENT, AND ADD THE FOLLOWING INCLUDE
/* STATEMENT TO THE LKED.SYSIN DD * STATEMENT:
/*   INCLUDE SYSLIB(EZACIC07)
/*
/* FOR REENTRANT PROGRAMS CODE RENT ON THE
/* CPARMS=() STATEMENT, AND ADD THE FOLLOWING INCLUDE
/* STATEMENT TO THE LKED.SYSIN DD * STATEMENT:
/*   INCLUDE SYSLIB(EZACIC17)
/*
//APPLPROG EXEC DFHYITDL,
//   CPARM=('SOURCE, . . . . '),
//   LNKPARM='LIST,MAP,LET,XREF'
/*
//TRN.SYSIN DD DISP=SHR,DSN=YOUR.PROGRAM.SOURCE(PROGNAME)
/*
//LKED.SYSIN DD *
//   INCLUDE SYSLIB( EZACIC07 OR EZACIC17 )
//   NAME PROGNAME(R)
/*
```

Requirements:

- If the program is non-reentrant, you must perform the following actions:
 - Add an INCLUDE statement for module EZACIC07 and use EZACIC07 in place of CMIUCSOC.
 - Specify the compiler option of NORENT (non-reentrant) when you include the module EZACIC07 and `<ezacichd.h`;
- If the program is reentrant, you must perform the following actions:
 - Add an INCLUDE statement for module EZACIC17 and use EZACIC17 in place of CMIUCSOC.
 - Specify the compiler option of RENT (reentrant) when you include the module EZACIC17 and `<errno.h>`.

- You must specify the NOSEARCH C/C++ compiler option to direct the compiler preprocessor to search only those data sets that are specified in the SYSLIB statement. For more information about the NOSEARCH compiler option, see [z/OS XL C/C++ User's Guide](#).

Structures used in socket calls

The parameter lists for some C language socket calls include a pointer to a data structure defined by a C structure. The structures are defined in the header files `in.h`, `socket.h`, and `if.h`. [Table 20 on page 139](#) shows the C structure calls.

<i>Table 20. C structures</i>	
C structure	Format
clientid	<pre>struct clientid { int domain; char name[8]; char subtaskname[8]; char reserved[20]; };</pre>
ifconf Used in the <code>ioctl()</code> call only	<pre>struct ifconf { int ifc_len; union { caddr_t ifcu_buf; struct ifreq *ifcu_req; } ifc_ifcu; };</pre>
ifreq Used in the <code>ioctl()</code> call only	<pre>struct ifreq { #define IFNAMSIZ 16 char ifr_name[IFNAMSIZ]; union { struct sockaddr ifru_addr; struct sockaddr ifru_dstaddr; struct sockaddr ifru_broadaddr; short ifru_flags; int ifru_metric; caddr_t ifru_data; } ifr_ifru; };</pre>
NetConfHdr Used in the <code>ioctl()</code> call only	<pre>struct HomeIf { struct in6_addr HomeIfAddress; }; struct NetConfHdr { char NchEyeCatcher[4]; uint32_t NchIOCTL; int32_t NchBufferLength; union { struct HomeIf * __ptr32 NchIfHome; struct GRT6RtEntry * __ptr32 NchGRT6RtEntry; } NchBufferPtr; int32_t NchNumEntryRet; };</pre>

Table 20. C structures (continued)

C structure	Format
<p>If_NameIndex</p> <p>Used in the if_freenameindex(), if_indextoname(), if_nameindex(), and if_nametoindex() calls</p>	<pre>struct if_nameindex { unsigned int if_index; char * if_name; };</pre>
<p>linger</p> <p>Used in the getsockopt() and setsockopt() calls only</p>	<pre>struct linger { int l_onoff; int l_linger; };</pre>
<p>ip_mreq</p> <p>Used in the setsockopt() call only</p>	<pre>struct ip_mreq { struct in_addr imr_multiaddr; struct in_addr imr_interface; };</pre>
<p>ipv6_mreq</p> <p>Used in the setsockopt() call only</p>	<pre>struct ipv6_mreq { struct in6_addr ipv6mr_multiaddr; unsigned int ipv6mr_interface; };</pre>
<p>sockaddr_in</p>	<pre>struct in_addr { unsigned long s_addr; }; struct sockaddr_in { short sin_family; ushort sin_port; struct in_addr sin_addr; char sin_zero[8]; };</pre>
<p>sockaddr_in6</p>	<pre>struct in6_addr { union { uint8_t _S6_u8[16]; uint32_t _S6_u32[4]; } _S6_un; }; struct sockaddr_in6 { uint8_t sin6_len; sa_family_t sin6_family; in_port_t sin6_port; uint32_t sin6_flowinfo; struct in6_addr sin6_addr; uint32_t sin6_scope_id; };</pre>

Table 20. C structures (continued)

C structure	Format
<p>addrinfo</p> <p>Use in the getaddrinfo() and freeaddrinfo() calls</p>	<pre>struct addrinfo { int ai_flags; int ai_family; int ai_socktype; int ai_protocol; socklen_t ai_addrlen; char *ai_canonname; struct sockaddr *ai_addr; struct addrinfo *ai_next; int ai_eflags; };</pre>
<p>timeval</p> <p>Use in the getsockopt(), select(), and setsockopt() calls</p>	<pre>struct timeval { time_t tv_sec; long tv_usec; };</pre>
<p>ip_mreq_source</p> <p>Used in the setsockopt() call only</p>	<pre>struct ip_mreq_source { struct in_addr imr_multiaddr; struct in_addr imr_sourceaddr; struct in_addr imr_interface; };</pre>
<p>group_req</p> <p>Used in the setsockopt() call only</p>	<pre>struct group_req { uint32_t gr_interface; uint32_t __gr_01; struct sockaddr_storage gr_group; };</pre>
<p>group_source_req</p> <p>Used in the setsockopt() call only</p>	<pre>struct group_source_req { uint32_t gsr_interface; uint32_t __gsr_01; struct sockaddr_storage gsr_group; struct sockaddr_storage gsr_source; };</pre>
<p>SetApplData</p> <p>Used in the SIOCSAPPLDATA ioctl() call</p>	<pre>#define SetAD_eye1 "SETAPPLD" #define SETADVER 1 struct { char SetAD_eye1[8]; short SetAD_ver; short SetAD_len; char SetAD_rsv[4]; #ifdef _LP64 int SetAD_ptrHW; #endif SetADcontainer *SetAD_ptr; } SetApplData;</pre>
<p>SetADcontainer</p> <p>Used in the SIOCSAPPLDATA ioctl() call</p>	<pre>#define SETADEYE2 "APPLDATA" typedef struct { char SetAD_eye2[8]; char SetAD_buffer[40]; } SetADcontainer;</pre>

The ERRNO variable

The global variable *errno* is used by the socket system calls to report errors. If a socket call results in an error, the call returns a negative value, and an error value is set in *errno*. To be able to access these values, you must add one of the following include statements:

```
Non-reentrant programs:
#include <ezacichd.h>

Reentrant programs:
#include <errno.h>
```

Note:

- Do not use `tcperror()`.
- A copy of EZACICHD.H can be found in dataset *hlq.SEZAINST*.

C socket call guidance

This topic contains guidance for each C socket call supported by CICS TCP/IP.

For syntax, parameters, and other reference information for each C socket call, see [z/OS Communications Server: IP Programmer's Guide and Reference](#).

accept() call

A server issues the `accept()` call to accept a connection request from a client. The call uses a socket already created with a `socket()` call and marked by a `listen()` call.

An `accept()` call

1. Accepts the first connection on its queue of pending connections.
2. Creates a new socket with the same properties as the socket used in the call.
3. Returns the new socket descriptor to the server.

The new socket cannot be used to accept new connections, but is used by the client for application purposes. The server issues a `givesocket()` call and a CICS START command to enable a child server to communicate with the client for application purposes. The original socket remains available to the server to accept more connection requests.

The `accept()` call optionally saves the connection requester's address for use by the server.

Note:

- If the queue has no pending connection requests, `accept()` blocks the socket unless the socket is in nonblocking mode. The socket can be set to nonblocking by calling `ioctl()`.
- `accept()` calls are the only way to screen clients. The application cannot predetermine clients from which it accepts connections, but it can close a connection immediately after discovering the identity of the client.
- The `select()` call checks a socket for incoming connection requests.

accept() call format

This call has the following format:

```
#include <manifest.h> (non-reentrant programs only)
#include <cmanifes.h> (reentrant programs only)
#include <bsdtypes.h>
#include <in.h>
#include <socket.h>
int accept(int s, struct sockaddr *name,
int *namelen)
```


accept() call parameters

s

The *s* parameter is a stream socket descriptor that has already been created with the `socket()` call. It is usually bound to an address with the `bind()` call. The `listen()` call marks the socket as one that accepts connections and allocates a queue to hold pending connection requests. The `listen()` call allows the caller to place an upper boundary on the size of the queue.

name

The pointer to a *sockaddr* structure into which the address of a client requesting a connection is placed on completion of the `accept()` call. If the server application does not need the client address, set the *name* parameter to the NULL pointer before making the `accept()` call.

The format of the *name* buffer is expected to be *sockaddr_in*, for an IPv4 socket address, or *sockaddr_in6*, for an IPv6 socket address, as defined in the header file `in.h`. The format of the structure is shown in [Table 20 on page 139](#).

Use the following fields to define the IPv4 socket address structure for the socket that is to be accepted:

sin_family

Field must be set to `AF_INET`.

sin_port

Field contains the client's port number.

in_addr.sin_addr

Field contains the 32-bit IPv4 Internet address, in network byte order, of the client's host machine.

sin_zero

Field is not used and is set to all zeros.

Use the following fields to define the IPv6 socket address structure for the socket that is to be accepted:

sin6_family

Field must be set to `AF_INET6`.

sin6_port

Field contains the client's port number.

sin6_flowinfo

Field contains the traffic class and flow label. The value of this field is undefined.

in6_addr.sin6_addr

Field contains the 128-bit IPv6 Internet address, in network byte order, of the client's host machine.

sin6_scope_id

Field identifies a set of interfaces as appropriate for the scope of the address carried in the *in6_addr.sin6_addr* field. For a link scope *in6_addr.sin6_addr*, *sin6_scope_id* contains the link index for the *in6_addr.sin6_addr*. For all other address scopes, *sin6_scope_id* is undefined.

namelen

The size, in bytes, of the buffer pointed to by *name*. For an IPv4 socket address, the *namelen* parameter should contain a decimal 16. For an IPv6 socket address, the *namelen* parameter should contain a decimal 28.

accept() call return values

A nonnegative socket descriptor indicates success; the value -1 indicates an error. To determine which error occurred, check the *errno* global variable, which is set to a return code. Possible codes include:

EBADF

The *s* parameter is not a valid socket descriptor.

EFAULT

Using *name* and *namelen* results in an attempt to copy the address into a portion of the caller's address space into which information cannot be written.

EINVAL

Listen() was not called for socket *s*.

ENOBUFS

Insufficient buffer space is available to create the new socket.

EOPNOTSUPP

The *s* parameter is not of type SOCK_STREAM.

EWOULDBLOCK

The socket *s* is in nonblocking mode, and no connections are in the queue.

bind() call

The bind() call binds a unique local port to an existing socket. Note that, on successful completion of a socket() call, the new socket descriptor does not have an associated port.

The bind() call can specify the required port or let the system choose. A listener application should always bind to the same well-known port, so that clients can know which port to use.

Even if an application specifies a value of 0 for the IP address on the bind(), the system administrator can override that value by specifying the BIND parameter on the PORT reservation statement in the TCP/IP profile. This has an effect similar to the application specifying an explicit IP address on the bind() function. For more information, see [z/OS Communications Server: IP Configuration Reference](#).

bind() format

This call has the following format:

```
#include <manifest.h> (non-reentrant programs only)
#include <cmanifes.h> (reentrant programs only)
#include <bsdtypes.h>
#include <socket.h>
#include <in.h>
int bind(int s, struct sockaddr *name,
int namelen)
```

bind() parameters

s

The socket descriptor returned by a previous socket() call.

name

The pointer to a socket address structure that contains the name that is to be bound to *s*. The format of the *name* buffer is expected to be *sockaddr_in* for an IPv4 socket address or *sockaddr_in6* for an IPv6 socket address, as defined in the header file *in.h*. The format of the structure is shown in [Table 20 on page 139](#).

Use the following fields to specify the IPv4 socket address structure for the socket that is to be bound:

sin_family

Field must be set to AF_INET.

sin_port

Field is set to the port to which the application must bind. It must be specified in network byte order. If *sin_port* is set to 0, the caller expects the system to assign an available port. The application can call getsockname() to discover the port number assigned.

in_addr.sin_addr

Field is set to an IPv4 IP address and must be specified in network byte order. On hosts with more than one network interface (called multihomed hosts), you can select the interface to which

it is to bind. Subsequently, only TCP connection requests from this interface are routed to the application.

If you set this field to the constant `INADDR_ANY`, as defined in `in.h`, the socket is bound to all network interfaces on the host. By leaving the address unspecified with `INADDR_ANY`, the server can accept all TCP connection requests made for its port, regardless of the network interface on which the requests arrived. Set `INADDR_ANY` for servers that offer a service to multiple networks.

sin_zero

Field is not used and must be set to all zeros.

Use the following fields to specify the IPv6 socket address structure for the socket that is to be bound:

sin6_family

Field must be set to `AF_INET6`.

sin6_port

Field is set to the port to which the application must bind. It must be specified in network byte order. If *sin6_port* is set to 0, the caller expects the system to assign an available port. The application can call `getsockname()` to discover the port number assigned.

sin6_flowinfo

Field is used to specify the traffic class and flow label. This field must be set to zero.

in6_addr.sin6_addr

Field is set to an IPv6 address and must be specified in network byte order. On hosts with more than one network interface (called multihomed hosts), you can select the interface to which it is to bind. Subsequently, only TCP connection requests from this interface are routed to the application.

If you set this field to the constant *in6addr_any*, as defined in `in.h`, the socket is bound to all network interfaces on the host. By leaving the address unspecified with *in6addr_any*, the server can accept all TCP connection requests made for its port, regardless of the network interface on which the requests arrived. Set *in6addr_any* for servers that offer a service to multiple networks.

sin6_scope_id

Field is used to identify a set of interfaces as appropriate for the scope of the address carried in the *in6_addr.sin6_addr* field. A value of zero indicates the *sin6_scope_id* field does not identify the set of interfaces to be used, and might be specified for any address types and scopes. For a link scope *in6_addr.sin6_addr* field, *sin6_scope_id* might specify a link index which identifies a set of interfaces. For all other address scopes, *sin6_scope_id* must be set to zero.

namelen

The size, in bytes, of the buffer pointed to by *name*. For an IPv4 socket address, the *namelen* parameter should contain a decimal 16. For an IPv6 socket address, the *namelen* parameter should contain a decimal 28.

bind() return values

The value 0 indicates success; the value -1 indicates an error. To determine which error occurred, check the *errno* global variable, which is set to a return code. Possible codes include:

EADDRINUSE

The address is already in use. See the `SO_REUSEADDR` option described in [“getsockopt\(\), setsockopt\(\) calls” on page 165](#) for more information.

The address is in a timed wait because a LINGER delay from a previous close or another process is using the address. This error also occurs if the port specified in the bind call has been configured as RESERVED on a port reservation statement in the TCP/IP profile.

If you want to reuse the same address, use the `SO_REUSEADDR` parameter in `setsockopt()`. If you do not want to reuse the same address, use a different address or port in the socket address structure. If the port has been configured as RESERVED, then the port is unavailable for bind.

EADDRNOTAVAIL

The address specified is not valid on this host. For example, the IP address does not specify a valid network interface.

EAFNOSUPPORT

The address family is not supported (it is not AF_INET or AF_INET6).

EBADF

The *s* parameter is not a valid socket descriptor.

EFAULT

Using *name* and *namelen* results in an attempt to copy the address into a nonwritable portion of the caller's address space.

EINVAL

The socket is already bound to an address. An example is trying to bind a name to a socket that is in the connected state. This value is also returned if *namelen* is not the expected length.

bind2addrsel() call

The `bind2addrsel()` call binds a socket to the local IP address that would be selected by the stack to communicate with the input destination IP address.

In a TCP or UDP application, the `bind2addrsel()` call usually follows the `setsockopt()` call with `optname` `IPV6_ADDR_PREFERENCES`, and precedes any communication with a remote host. The `bind2addrsel()` call is used when the application must verify that a local IP address that is assigned by the stack meets its address selection criteria as provided by the `IPV6_ADDR_PREFERENCES` socket option before sending any packets to the remote host.

Result: The stack attempts to select a local IP address according to your application preferences. However, a successful `bind2addrsel()` result does not guarantee that all your source IP address selection preferences were met.

Guidelines:

- Use the `setsockopt()` call to set the `IPV6_ADDR_PREFERENCES` options to indicate your source IP address selection preferences before binding the socket, and before allowing an implicit bind of the socket to occur.

Tip: If a socket has not been explicitly bound to a local IP address with a `bind()` or `bind2addrsel()` call when a `connect()`, `sendto()`, or `sendmsg()` call is issued, an implicit bind occurs.

- After you successfully issue the `bind2addrsel()` call, use the `getsockname()` call to obtain the local IP address bound to the socket. After the local IP address is obtained, use the `inet6_is_srcaddr()` call to verify that the local IP address meets your address selection criteria.

bind2addrsel() call format

This call has the following format:

```
#include <manifest.h> (non-reentrant programs only)
#include <cmanifes.h> (reentrant programs only)
#include <bsdtypes.h>
#include <socket.h>
#include <in.h>
#include <netdb.h>
int bind2addrsel (int s, const struct sockaddr *name,
                 socklen_t namelen)
```

bind2addrsel() parameters

s

The socket descriptor returned by a previous `socket()` call.

Requirement: The socket must be an AF_INET6 socket. The type can be `SOCK_STREAM` or `SOCK_DGRAM`.

name

The pointer to an IPv6 socket address structure that contains the name that is to be bound to the socket descriptor specified by the *s* parameter. The format of the *name* buffer is expected to be *sockaddr_in6* as defined in the header file *in.h*. The format of the structure is shown in [Table 20 on page 139](#).

Use the following fields to specify the IPv6 socket address structure for the socket that is to be bound:

sin6_family

Field must be set to AF_INET6.

sin6_port

A halfword binary field. This field is ignored by `bind2addrset()` processing.

Guideline: To determine the assigned port number, issue the `getsockname()` call after the `bind2addrset()` call completes.

sin6_flowinfo

A fullword binary field. This field is ignored by `bind2addrset()` processing.

in6_addr.sin6_addr

A 16-byte binary field that is set to the 128-bit IPv6 Internet address (network byte order) of the remote host that the socket will communicate with.

Rule: Specify an IPv4 address by using its IPv4-mapped IPv6 format.

sin6_scope_id

A fullword binary field that identifies a set of interfaces as appropriate for the scope of the address specified in the *in6_addr.sin6_addr* field. The value 0 indicates that the *sin6_scope_id* field does not identify the set of interfaces to be used.

Requirements: The *sin6_scope_id* value must be nonzero if the address is link-local. For all other address scopes, the *sin6_scope_id* value must be set to 0.

namelen

The size, in bytes, of the buffer pointed to by the *name* parameter. The *namelen* parameter should contain the decimal value 28.

bind2addrset() return values

The value 0 indicates success; the value -1 indicates an error. To determine which error occurred, check the *errno* global variable, which is set to a return code. Possible codes include:

EADDRNOTAVAIL

For the specified destination address, there is no source address that the application can bind to. Possible reasons can be one of the following situations:

- The socket is a stream socket, but the specified destination address is a multicast address.
- No ephemeral ports are available to assign to the socket.

EAFNOSUPPORT

The address family is not supported. The address family must be AF_INET6.

EBADF

The *s* parameter is not a valid socket descriptor.

EFAULT

Using the *name* and *namelen* parameters results in an attempt to copy the address into a nonwritable portion of the address space of the caller.

EHOSTUNREACH

There is no route to the host.

EINVAL

The socket is already bound to an address. An example is trying to bind a name to a socket that is in the connected state. This value is also returned if the *namelen* value is not the expected length.

EPROTOTYPE

The referenced socket is not a stream (TCP) or datagram (UDP) socket.

close() call

A `close()` call shuts down a socket and frees all resources allocated to the socket. If the socket refers to an open TCP connection, the connection is closed. If a stream socket is closed when input data is queued, the TCP connection is reset rather than being cleanly closed.

close() call format

This call has the following format:

```
#include <manifest.h> (non-reentrant programs only)
#include <cmanifes.h> (reentrant programs only)
#include <socket.h>
int close(int s)
```

close() call parameter

s

The descriptor of the socket to be closed.

close() call return values

The value 0 indicates success; the value -1 indicates an error. To determine which error occurred, check the *errno* global variable, which is set to a return code. Possible codes include:

EBADF

The *s* parameter is not a valid socket descriptor.

connect() call

A `connect()` call attempts to establish a connection between a local socket and a remote socket. For a stream socket, the call performs two tasks. First, it completes the binding necessary for a stream socket in case it has not been previously bound by a `bind()` call. Second, it attempts to make a connection to another socket.

The `connect()` call on a stream socket is used by a client application to establish a connection to a server. To be able to accept a connection with an `accept()` call, the server must have a passive open pending, which means it must have successfully called `bind()` and `listen()` before the client issues `connect()`.

If the socket is in blocking mode, the `connect()` call blocks the caller until the connection is set up, or until an error is received. If the socket is in nonblocking mode and no errors occurred, the return codes indicate that the connection can be initiated. The caller can test the completion of the connection setup by calling `select()` and testing for the ability to write to the socket.

Stream sockets can call `connect()` one time only.

connect() call format

This call has the following format:

```
#include <manifest.h> (non-reentrant programs only)
#include <cmanifes.h> (reentrant programs only)
#include <bsdtypes.h>
#include <socket.h>
#include <in.h>
int connect(int s, struct sockaddr *name, int namelen)
```

connect() call parameters

s

The socket descriptor of the socket that is going to be used as the local endpoint of the connection.

name

The pointer to a socket address structure that contains the destination socket address to which a connection is requested.

The format of the *name* buffer is expected to be *sockaddr_in* for an IPv4 socket address or *sockaddr_in6* for an IPv6 socket address, as defined in the header file *in.h*. The format of the structure is shown in [Table 20 on page 139](#).

Use the following fields to specify the IPv4 socket address structure for the socket that is to be bound:

sin_family

Field must be set to `AF_INET`.

sin_port

Field is set to the port to which the server is bound. It must be specified in network byte order.

in_addr.sin_addr

Field is set to the 32-bit IPv4 Internet address of the server's host machine in network byte order.

sin_zero

Field is not used and must be set to all zeros.

Use the following fields to specify the IPv6 socket address structure for the socket that is to be bound:

sin6_family

Field must be set to `AF_INET6`.

sin6_port

Field is set to the port to which the server is bound. It must be specified in network byte order.

sin6_flowinfo

Field is used to specify the traffic class and flow label. This field must be set to zero.

in6_addr.sin6_addr

Field is set to the 128-bit IPv6 Internet address of the server's host machine in network byte order.

sin6_scope_id

Field is used to identify a set of interfaces as appropriate for the scope of the address carried in the *in6_addr.sin6_addr* field. A value of zero indicates the *sin6_scope_id* field does not identify the set of interfaces to be used, and might be specified for any address types and scopes. For a link scope *in6_addr.sin6_addr*, *sin6_scope_id* might specify a link index which identifies a set of interfaces. For all other address scopes, *sin6_scope_id* must be set to zero.

namelen

The size of the socket address pointed to by *name* in bytes. For an IPv4 socket address the *namelen* parameter should contain a decimal 16 and for an IPv6 socket address the *namelen* parameter should contain a decimal 28.

connect() call return values

The value 0 indicates success; the value -1 indicates an error. To determine which error occurred, check the *errno* global variable, which is set to a return code. Possible codes include:

EADDRNOTAVAIL

The calling host cannot reach the specified destination.

EAFNOSUPPORT

The address family is not supported.

EALREADY

The socket *s* is marked nonblocking, and a previous connection attempt has not completed.

EBADF

The *s* parameter is not a valid socket descriptor.

ECONNREFUSED

The connection request was rejected by the destination host.

EFAULT

Using *name* and *namelen* results in an attempt to copy the address into a portion of the caller's address space to which data cannot be written.

EINPROGRESS

The socket *s* is marked nonblocking, and the connection cannot be completed immediately. The EINPROGRESS value does not indicate an error condition.

EINVAL

The *namelen* parameter is not a valid length.

EISCONN

The socket *s* is already connected.

ENETUNREACH

The network cannot be reached from this host.

ETIMEDOUT

The connection establishment timed out before a connection was made.

fcntl() call

The `fcntl()` call controls whether a socket is in blocking or nonblocking mode.

The blocking or nonblocking mode of a socket affects the operation of certain commands. In blocking mode, a call waits for certain events until they happen. When this happens, the operating system suspends the program until the event occurs.

In similar situations with nonblocking calls, the call returns an error return code and the program continues.

fcntl() call format

This call has the following format:

```
#include <manifest.h> (non-reentrant programs only)
#include <cmanifes.h> (reentrant programs only)
#include <socket.h>
#include <bsdtypes.h>
#include <fcntl.h>
signed int fcntl(int s, int cmd, int arg)
```

fcntl() call parameters

s

The socket descriptor.

cmd

The command to perform. Set *cmd* to one of the following:

F_SETFL

This command sets the status flags of socket *s*. One flag, FNDELAY, can be set.

Setting the FNDELAY flag marks *s* as being in nonblocking mode. If data is not present on calls that can block, such as `recvfrom()`, the call returns -1, and `errno` is set to `EWOULDBLOCK`.

F_GETFL

This command gets the status flags of socket *s*. One flag, FNDELAY, can be queried.

The FNDELAY flag marks *s* as being in nonblocking mode. If data is not present on calls that can block, such as `recvfrom()`, the call returns with -1, and `errno` is set to `EWOULDBLOCK`.

arg

Set to FNDELAY if using F_SETFL. Ignored otherwise.

fcntl() call return values

For the F_GETFL command, the return value is a bit mask that is comprised of the flag settings. For the F_SETFL command, the value 0 indicates success; the value -1 indicates an error. To determine which error occurred, check the *errno* global variable, which is set to a return code. Possible codes include:

EBADF

The *s* parameter is not a valid socket descriptor.

EINVAL

The *arg* parameter is not a valid flag.

freeaddrinfo() call

The `freeaddrinfo()` call receives an input `addrinfo` structure pointer and releases that storage (plus any other chained `addrinfo` structures and related storage) back into the general storage pool.

freeaddrinfo() call format

This call has the following format:

```
#include <manifest.h> (non-reentrant programs only)
#include <cmanifes.h> (reentrant programs only)
#include <socket.h>
#include <in.h>
#include <netdb.h>

void freeaddrinfo(struct addrinfo *ai)
```

freeaddrinfo() call parameters

ai

A pointer to an `addrinfo` structure returned by the `getaddrinfo()` *res* function variable.

freeaddrinfo() call return values

The value 0 indicates success; the value -1 indicates an error. To determine which error occurred, check the *errno* global variable, which is set to a return code. Possible codes include:

EAI_AGAIN

The resolver address space has not been started. The request can be retried at a later time.

EAI_FAIL

An unrecoverable error has occurred.

gai_strerror() call

The `gai_strerror()` function returns a pointer to a text string describing the error value returned by a failure return from either the `getaddrinfo()` or `getnameinfo()` function. If the *ecode* is not one of the `EAI_XXX` values from the `<netdb.h>` then `gai_strerror()` returns a pointer to a string indicating an unknown error. Subsequent calls to `gai_strerror()` overwrites the buffer that contains the text string.

gai_strerror() call format

This call has the following format:

```
#include <manifest.h> (non-reentrant programs only)
#include <cmanifes.h> (reentrant programs only)
#include <netdb.h>

const char *gai_strerror(int ecode)
```

gai_strerror() call parameters

ecode

The `errno` value returned by the `getaddrinfo()` or `getnameinfo()` functions.

gai_strerror() call return values

When successful, `gai_strerror()` returns a pointer to a string describing the error. Upon failure, `gai_strerror()` returns `NULL` and set *errno* to the following:

ENOMEM

Insufficient memory to allocate buffer for text string describing the error.

getaddrinfo() call

The `getaddrinfo()` call translates the name of a service location (for example, a host name), a service name, or both and returns a set of socket addresses and associated information. This information is used to open a socket with which to address the specified service or to send a datagram to the specified service.

getaddrinfo() call format

This call has the following format:

```
#include <manifest.h> (non-reentrant programs only)
#include <cmanifes.h> (reentrant programs only)
#include <socket.h>
#include <in.h>
#include <netdb.h>

int getaddrinfo(const char *nodename, const char *servname,
               const struct addrinfo *hints,
               struct addrinfo **res)
```

getaddrinfo() call parameters

nodename

Maximum storage of 256 bytes that contains the null closed host name being queried. If the `AI_NUMERICHOST` flag is specified in the storage pointed to by the *hints* parameter, *nodename* should contain the queried host IP address in presentation form.

You can append scope information to the host name, using the format *nodename%scope information*. The combined length of the value specified must still fit within 256 bytes, and must still be null terminated. For information about using scope information about `getaddrinfo()` processing, see [z/OS Communications Server: IPv6 Network and Application Design Guide](#).

servname

Maximum storage of 33 bytes that contains the null terminated service name being queried. If the `AI_NUMERICSERV` flag is specified in the storage pointed to by the *hints* parameter, *servname* should contain the queried port number in presentation form.

hints

Contains the address of an *addrinfo* structure that contains input values that might direct the operation by providing options and by limiting the returned information to a specific socket type, address family, and protocol. If the *hints* parameter is 0, then the information returned is as if it referred to a structure that contains the value 0 for the *ai_flags*, *ai_socktype*, and *ai_protocol fields*, and `AF_UNSPEC` for the *ai_family* field.

The *addrinfo* structure has the following fields:

ai_flags

A fullword binary field. The value of this field must be 0 or the bitwise OR of one or more of the following flags:

AI_PASSIVE

Specifies how to fill in the *ai_addr* pointed to by the returned *res*.

If this flag is specified, the returned address information is suitable for use in binding a socket for accepting incoming connections for the specified service (for example, the `bind()` call). In this case, if the *nodename* parameter is null, the IP address portion of the socket address structure pointed to by the returned *res* is set to `INADDR_ANY`, for an IPv4 address, or to the IPv6 unspecified address (`in6addr_any`).

If this flag is not set, the returned address information is suitable for the `connect()` call (for a connection-mode protocol) or for a `connect()`, `sendto()` or `sendmsg()` call (for a connectionless protocol). In this case, if the *nodename* parameter is not specified, the *ai_addr* pointed to by the returned *res* is set to the loopback address.

This flag is ignored if the *nodename* parameter is specified.

AI_CANONNAMEOK

If this flag is specified and the *nodename* parameter is specified, the `getaddrinfo()` call attempts to determine the canonical name corresponding to the *nodename* parameter.

AI_NUMERICHOST

If this flag is specified, the *nodename* parameter must be a numeric host address in presentation form. Otherwise, an error of host not found [`EAI_NONAME`] is returned.

AI_NUMERICSERV

If this flag is specified, the *servname* parameter must be a numeric port in presentation form. Otherwise, an error [`EAI_NONAME`] is returned.

AI_V4MAPPED

If this flag is specified with the *ai_family* field using the value of `AF_INET6`, or the value of `AF_UNSPEC` when IPv6 is supported on the system, the caller accepts IPv4-mapped IPv6 addresses.

- If the *ai_family* field is `AF_INET6`, a query for IPv4 addresses is made if the `AI_ALL` flag is specified or if no IPv6 addresses are found. Any IPv4 addresses that are found are returned as IPv4-mapped IPv6 addresses.
- If the *ai_family* field is `AF_UNSPEC`, queries are made for both IPv6 and IPv4 addresses. If IPv4 addresses are found and IPv6 is supported, the IPv4 addresses are returned as IPv4-mapped IPv6 addresses.

Otherwise, this flag is ignored.

AI_ALL

If the *ai_family* field has a value of `AF_INET6` and `AI_ALL` is set, the `AI_V4MAPPED` flag must also be set to indicate that the caller accepts all addresses: IPv6 and IPv4-mapped IPv6 addresses.

If the *ai_family* field has a value of `AF_UNSPEC`, `AI_ALL` is accepted, but has no impact on the processing. No matter if `AI_ALL` is specified or not, the caller accepts both IPv6 and IPv4 addresses. A query is first made for IPv6 addresses and if successful, the IPv6 addresses are returned. Another query is then made for IPv4 addresses:

- If the `AI_V4MAPPED` flag is also specified and the system supports IPv6, the IPv4 addresses are returned as IPv4-mapped IPv6 addresses.
- If the `AI_V4MAPPED` flag is not specified or the system does not support IPv6, the IPv4 addresses are returned as IPv4 addresses.

Otherwise, this flag is ignored.

AI_ADDRCONFIG

If this flag is specified, then a query on the name in *nodename* occurs if the resolver determines that one of the following is true:

- If the system is IPv6 enabled and has at least one IPv6 interface, the resolver makes a query for IPv6 (`AAAA` or `A6` DNS records) records.

- If the system is IPv4 enabled and has at least one IPv4 interface, the resolver makes a query for IPv4 (A DNS records) records.

AI_EXTFLAGS

If this flag is specified, the *addrinfo* structure contains an *ai_eflags* field (see the field description of *ai_eflags*).

ai_family

Used to limit the returned information to a specific address family. The value of AF_UNSPEC means that the caller accepts any protocol family. The value of a decimal 0 indicates AF_UNSPEC. The value of a decimal 2 indicates AF_INET and the value of a decimal 19 indicates AF_INET6.

ai_socktype

Used to limit the returned information to a specific socket type. A value of 0 means that the caller accepts any socket type. If a specific socket type is not given (for example, a value of 0), information about all supported socket types are returned.

The following are the acceptable socket types:

Type Name	Decimal Value	Description
SOCK_STREAM	1	for stream socket
SOCK_DGRAM	2	for datagram socket
SOCK_RAW	3	for raw-protocol interface

Any other socket type fails with a return code of EAI_SOCKTYPE. Note that although SOCK_RAW is accepted, it is valid only when *servname* is numeric (for example, *servname*=23). A lookup for a service name never occurs in the appropriate services file (for example, *hlq*.ETC.SERVICES) using any protocol value other than SOCK_STREAM or SOCK_DGRAM. If *ai_protocol* is not 0 and *ai_socktype* is 0, the only acceptable input values for *ai_protocol* are IPPROTO_TCP and IPPROTO_UDP; otherwise, the *getaddrinfo()* function fails with a return code of EAI_BADFLAGS. If *ai_socktype* and *ai_protocol* are both specified as 0, *getaddrinfo()* proceeds as follows:

- If *servname* is null, or if *servname* is numeric, any returned *addrinfo* structures default to a specification of *ai_socktype* as SOCK_STREAM.
- If *servname* is specified as a service name, for example *servname*=FTP, the *getaddrinfo()* call searches the appropriate services file (for example, *hlq*.ETC.SERVICES) twice. The first search uses SOCK_STREAM as the protocol, and the second search uses SOCK_DGRAM as the protocol. No default socket type provision exists in this case.

If both *ai_socktype* and *ai_protocol* are specified as nonzero, then they should be compatible, regardless of the value specified by the *servname* parameter. In this context, compatibility means one of the following:

- *ai_socktype*=SOCK_STREAM and *ai_protocol*=IPPROTO_TCP
- *ai_socktype*=SOCK_DGRAM and *ai_protocol*=IPPROTO_UDP
- *ai_socktype* is specified as SOCK_RAW. In this case, *ai_protocol* can be anything.

ai_protocol

Used to limit the returned information to a specific protocol. A value of 0 means that the caller accepts any protocol.

The following are the acceptable protocols:

Protocol Name	Decimal Value	Description
IPPROTO_TCP	6	TCP
IPPROTO_UDP	17	user datagram

If *ai_protocol* and *ai_socktype* are both specified as 0, *getaddrinfo()* proceeds as follows:

- If *servname* is null, or if *servname* is numeric, then any returned *addrinfos* default to a specification of *ai_socktype* as SOCK_STREAM.
- If *servname* is specified as a service name (for example, *servname*=FTP), *getaddrinfo()* searches the appropriate services file (for example, *hlq.ETC.SERVICES*) twice. The first search uses SOCK_STREAM as the protocol, and the second search uses SOCK_DGRAM as the protocol. No default socket type provision exists in this case.

If both *ai_socktype* and *ai_protocol* are specified as nonzero then they should be compatible, regardless of the value specified by *servname*. In this context, compatibility means one of the following:

- *ai_socktype*=SOCK_STREAM and *ai_protocol*=IPPROTO_TCP
- *ai_socktype*=SOCK_DGRAM and *ai_protocol*=IPPROTO_UDP
- *ai_socktype*=SOCK_RAW. In this case, *ai_protocol* can be anything.

If the lookup for the value specified in *servname* fails [that is, the service name does not appear in the appropriate services file (for example, *hlq.ETC.SERVICES*) using the input protocol], the *getaddrinfo()* call fails with return code of EAI_SERVICE.

ai_addrlen

On input, this field must be 0.

ai_canonname

On input, this field must be 0.

ai_addr

On input, this field must be 0.

ai_next

On input, this field must be 0.

ai_eflags

A fullword binary field that specifies the source IPv6 address selection preferences. This field is required if AI_EXTFLAGS is specified in the *ai_flags* field. The value of this field must be 0 or the bitwise OR of one or more of the following flags:

IPV6_PREFER_SRC_HOME

Indicates that home source IPv6 addresses are preferred over care-of source IPv6 addresses.

IPV6_PREFER_SRC_COA

Indicates that care-of source IPv6 addresses are preferred over home source IPv6 addresses.

IPV6_PREFER_SRC_TMP

Indicates that temporary source IPv6 addresses are preferred over public source IPv6 addresses.

IPV6_PREFER_SRC_PUBLIC

Indicates that public source IPv6 addresses are preferred over temporary source IPv6 addresses.

IPV6_PREFER_SRC_CGA

Indicates that cryptographically generated source IPv6 addresses are preferred over non-cryptographically generated source IPv6 addresses.

IPV6_PREFER_SRC_NONCGA

Indicates that non-cryptographically generated source IPv6 addresses are preferred over cryptographically generated source IPv6 addresses.

If contradictory or invalid EFLAGS are specified, the GETADDRINFO call fails with the return code -1 and the errno EAI_BADEXTFLAGS (decimal value 11).

- An example of contradictory EFLAGS is IPV6_PREFER_SRC_TMP and IPV6_PREFER_SRC_PUBLIC.
- An example of invalid EFLAGS is X'00000040', or a decimal value of 64.

Note: The field is required only if AI_EXTFLAGS is specified in the *ai_flags* field.

res

Initially a fullword binary field. On a successful return, this field contains a pointer to a chain of one or more `addrinfo` structures. The structures are allocated in the key of the calling application. The structures returned by `getaddrinfo()` are serially reusable storage for the z/OS UNIX process. The structures can be used or referenced between process threads, but should not be used or referenced between processes. When you finish using the structures, explicitly release their storage by specifying the returned pointer on a `freaddrinfo()` call.

The address information structure contains the following fields:

ai_flags

Not used as output.

ai_family

The value returned in this field can be used as the *domain* argument on the `socket()` call to create a socket suitable for use with the returned socket address pointed to by *ai_addr*.

ai_socktype

The value returned in this field can be used as the *type* argument on the `socket()` call to create a socket suitable for use with the returned address socket pointed to by *ai_addr*.

ai_protocol

The value returned in this field can be used as the *protocol* argument on the `socket()` call to create a socket suitable for use with the returned socket address pointed to by *ai_addr*.

ai_addrlen

The length of the socket address structure pointed to by the *ai_addr* field. The value returned in this field can be used as the arguments for the `connect()` or `bind()` call with this socket type, according to the `AI_PASSIVE` flag.

ai_canonname

A pointer to the canonical name for the value specified by *nodename*. If the *nodename* argument is specified, and if the `AI_CANONNAMEOK` flag was specified by the *hints* parameter, the *ai_canonname* field in the first returned address information structure contains the address of storage that contains the canonical name corresponding to the input *nodename* parameter. If the canonical name is not available, the *ai_canonname* field refers to the *nodename* parameter or a string with the same contents.

ai_addr

The address of the returned socket address structure. The value returned in this field can be used as the arguments for the `connect()` or `bind()` call with this socket type, according to the `AI_PASSIVE` flag.

ai_next

Contains the address of the next address information structure on the list, or zeros if it is the last structure on the list.

ai_eflags

This field is not used as output.

getaddrinfo() call return values

The value 0 indicates success; the value -1 indicates an error. To determine which error occurred, check the *errno* global variable, which is set to a return code. Possible codes include:

EAI_AGAIN

The name specified by the *nodename* parameter could not be resolved within the configured time interval, or the resolver address space has not been started. The request can be retried at a later time.

EAI_BADFLAGS

The flags parameter had a value that is incorrect.

EAI_BADEXTFLAGS

The *ai_eflags* parameter had a value that is incorrect.

EAI_FAMILY

The family parameter has a value that is incorrect.

EAI_MEMORY

Memory allocation failure occurred trying to acquire an addrinfo structure.

EAI_NONAME

The name does not resolve for the specified parameters. At least one of the *nodename* or *servname* parameters must be specified. Or the requested nodename parameter is valid but does not have a record at the name server.

EAI_SERVICE

The service passed was not recognized for the specified socket type.

EAI_SOCKTYPE

The intended socket type was not recognized.

getclientid() call

A `getclientid()` call returns the identifier by which the calling application is known to the TCP/IP address space. Do not be confused by the term *client* in the name of this call; the call always returns the ID of the calling process, be it client or server. For example, in CICS TCP/IP, this call is issued by the IBM listener; the identifier returned in that case is that of the listener (a server). This identifier is used in the `givesocket()` and `takesocket()` calls.

getclientid() call format

This call has the following format:

```
#include <manifest.h> (non-reentrant programs only)
#include <cmanifes.h> (reentrant programs only)
#include <bsdtypes.h>
#include <socket.h>
int getclientid(int domain, struct clientid *clientid)
```

getclientid() call parameters

domain

The domain must be set to `AF_INET` when requesting client data from an IPv4 stack and it must be set to `AF_INET6` when requesting client data from an IPv6 stack.

clientid

Points to a `clientid` structure to be provided.

domain

Domain associated with the program executing this call. Contains either `AF_INET` (a decimal 2) or `AF_INET6` (a decimal 19).

name

Address space name associated with the program executing this call.

subtaskname

Subtask name associated with the program executing this call.

reserved

Binary zeros.

getclientid() call return values

The value 0 indicates success; the value -1 indicates an error. To determine which error occurred, check the `errno` global variable, which is set to a return code. Possible codes include:

EFAULT

Using the `clientid` parameter as specified results in an attempt to access storage outside the caller's address space, or storage not modifiable by the caller.

EPFNOSUPPORT

Domain is not `AF_INET` or `AF_INET6`.

gethostbyaddr() call

The `gethostbyaddr()` call tries to resolve the IP address to a host name. The resolution attempted depends on how the resolver is configured and if any local host tables exist. See [z/OS Communications Server: IP Configuration Guide](#) for information about configuring the resolver and using local host tables.

gethostbyaddr() call format

This call has the following format:

```
#include <manifest.h> (non-reentrant programs only)
#include <cmanifes.h> (reentrant programs only)
#include <netdb.h>
struct hostent *gethostbyaddr(char *addr, int addrlen, int domain)
```

gethostbyaddr() call parameters

addr

The pointer to an unsigned long value that contains the address of the host.

addrlen

The size of *addr* in bytes.

domain

The address domain supported (AF_INET).

gethostbyaddr() call return values

The `gethostbyaddr()` call returns a pointer to a `hostent` structure for the host address specified on the call. For more information about the `hostent` structure, see [Figure 128 on page 230](#). A null pointer is returned if the `gethostbyaddr()` call fails.

There are no `errno` values for `gethostbyaddr()`.

gethostbyname() call

The `gethostbyname()` call tries to resolve the host name to an IP address. The resolution attempted depends on how the resolver is configured and if any local host tables exist. See [z/OS Communications Server: IP Configuration Guide](#) for information about configuring the resolver and using local host tables.

gethostbyname() call format

This call has the following format:

```
#include <manifest.h> (non-reentrant programs only)
#include <cmanifes.h> (reentrant programs only)
#include <netdb.h>
struct hostent *gethostbyname(char *name)
```

gethostbyname() call parameters

name

The name of the host being queried. The name has a maximum length of 255 characters.

gethostbyname() call return values

The `gethostbyname()` call returns a pointer to a `hostent` structure for the host name specified on the call. For more information about the `hostent` structure, see [Figure 130 on page 232](#). A null pointer is returned if the `gethostbyname()` call fails.

There are no `errno` values for `gethostbyname()`.

A new part called EZACIC17 has been created. EZACIC17 is like EZACIC07 except it uses the internal C `errno` function. Also, a new header file called `cmanifes.h` has been created to remap EZACIC17's long function names into unique 8-character names.

EZACIC07 and EZACIC17 now support the `gethostbyaddr()` and `gethostbyname()` functions.

gethostid() call

The `gethostid()` call gets the unique 32-bit identifier for the current host in network byte order. This value is the default home IP address.

gethostid() call format

This call has the following format:

```
#include <manifest.h> (non-reentrant programs only)
#include <cmanifes.h> (reentrant programs only)
#include <socket.h>

unsigned long gethostid()
```

gethostid() call parameters

None.

gethostid() call return values

The `gethostid()` call returns the 32-bit identifier of the current host, which should be unique across all hosts.

gethostname() call

The `gethostname()` call returns the name of the host processor on which the program is running.

Note: The host name that is returned is the host name that the TCP/IP stack learned at startup. For more information about `hostname`, see [HOSTNAME statement in z/OS Communications Server: IP Configuration Reference](#).

gethostname() call format

This call has the following format:

```
#include <manifest.h> (non-reentrant programs only)
#include <cmanifes.h> (reentrant programs only)
#include <socket.h>

int gethostname(char *name, int namelen)
```

gethostname() call parameters

name

The character array to be completed with the host name. The name that is returned is NULL-terminated unless truncated to the size of the name array.

namelen

The length of the `name` value. The minimum length of the `name` field is 1 character. The maximum length of the `name` field is 24 characters.

gethostname() call return values

The value 0 indicates success; the value -1 indicates an error. To determine what error has occurred, check the `errno` global variable, which is set to a return code. Possible codes are:

EFAULT

The *name* parameter specified an address outside the caller's address space.

getipv4sourcefilter() call

Obtains a list of the IPv4 source addresses that comprise the source filter, along with the current mode on a given interface and a multicast group for a socket. The source filter can either include or exclude the set of source addresses, depending on the filter mode (MCAST_INCLUDE or MCAST_EXCLUDE).

getipv4sourcefilter() call format

This call has the following format:

```
#include <manifest.h> (non-reentrant programs only)
#include <camif.h> (reentrant programs only)
#include <netinet.h>
int getipv4sourcefilter(int s,
                       struct in_addr interface,
                       struct in_addr group,
                       uint32_t *fmode, uint32_t *numsrc,
                       struct in_addr *slist)
```

getipv4sourcefilter() call parameters

s

The socket descriptor.

interface

The local IP address of the interface.

group

The IP multicast address of the group.

fmode

A pointer to an integer that contains the filter mode on a successful return. The value of the filter mode can be MCAST_INCLUDE or MCAST_EXCLUDE.

numsrc

As an input parameter, a pointer to the number of source addresses that can fit in the array specified by the *slist* parameter. As an output parameter, a pointer to the total number of source addresses in the filter.

slist

A pointer to an array of IP addresses that is either included or excluded, depending on the filter mode. If the *numsrc* value was 0 on input, a NULL pointer can be supplied.

If the application does not know the size of the source list before, it can make a reasonable guess (for example, 0). When the process completes, the *numsrc* value is larger, the operation can be repeated with a larger buffer.

On return, the *numsrc* value is always updated to be the total number of sources in the filter. The *slist* value specifies as many source addresses as fit, up to the minimum array size that was specified by the *numsrc* value and the total number of sources in the filter.

getipv4sourcefilter() call return values

When successful, the value 0 is returned. When an error has occurred, the value -1 is returned and the *errno* value is one of the following:

EBADF

The *s* parameter value is not a valid socket descriptor.

EINVAL

The *interface* or *group* parameter value is not a valid IPv4 address, or the socket *s* has already requested multicast setsockopt options. For more information, see the [z/OS Communications Server: IP Sockets Application Programming Interface Guide and Reference](#).

EPROTOTYPE

The socket protocol type is not correct.

EADDRNOTAVAIL

The tuple consisting of socket, interface, and multicast group values does not exist, or the specified interface address is incorrect for this host, or the specified interface address is not multicast capable.

ENOMEM

Insufficient storage is available to supply the array.

getnameinfo() call

The `getnameinfo()` call returns the node name and service location of a socket address that is specified in the call.

getnameinfo() call format

This call has the following format:

```
#include <manifest.h> (non-reentrant programs only)
#include <cmanifes.h> (reentrant programs only)
#include <socket.h>
#include <in.h>
#include <netdb.h>

int getnameinfo(const struct sockaddr *sa, socklen_t salen,
                char *host, socklen_t hostlen,
                char *serv, socklen_t servlen,
                int flags)
```

getnameinfo() call parameters

sa

The pointer to a socket address structure that is expected to be either `sockaddr_in` for an IPv4 socket address or `sockaddr_in6` for an IPv6 socket address, as defined in the header file `in.h`. [Table 20 on page 139](#) shows the format of the structure.

The following fields are used to specify the IPv4 socket address structure to be translated.

- The `sin_family` field must be set to `AF_INET`.
- The `sin_port` field is set to a port number, in network byte order.
- The `in_addr.sin_addr` field is set to an IPv4 address and must be specified in network byte order.
- The `sin_zero` field is not used and must be set to all zeros.

The following fields are used to specify the IPv6 socket address structure to be translated.

- The `sin6_family` field must be set to `AF_INET6`.
- The `sin6_port` field is set to the a port number, in network byte order.
- The `sin6_flowinfo` field is used to specify the traffic class and flow label. This field is currently not implemented.
- The `in6_addr.sin6_addr` field is set to an IPv6 address and must be specified in network byte order.
- The `sin6_scope_id` field is used to specify the link scope for an IPv6 address as an interface index. The resolver ignores the `sin6_scope_id` field, unless the input IPv6 address is a link-local address and the `host` parameter is also specified.

salen

The size, in bytes, of the buffer pointed to by `sa`. For an IPv4 socket address, the `salen` parameter should contain a decimal 16, and for an IPv6 socket address, the `salen` parameter should contain a decimal 28.

host

On input, storage capable of holding the returned resolved host name. The host name can be a maximum of 255 bytes for a null terminated string, for the input socket address. If inadequate storage

is specified to contain the resolved host name, then the resolver returns the host name up to the storage amount specified and truncation might occur. If the host name cannot be located, the numeric form of the host address is returned instead of its name. However, if the NI_NAMEREQD option is specified and no host name is located, an error is returned.

If the specified IPv6 address is a link-local address, and the *sin6_scope_id* interface index is a non-zero value, scope information is appended to the resolved host name using the format *host%scope information*. The scope information can be either the numeric form of the interface index, or the interface name associated with the interface index.

Use the NI_NUMERICSCOPE option to select which form should be returned. The combined host name and scope information is always a null-terminated string that is no more than 256 bytes in length. For more information about scope information and getnameinfo() processing, see [z/OS Communications Server: IPv6 Network and Application Design Guide](#) .

This is an optional field, but if this field value is not 0, you must also specify the *hostlen* parameter. Specify both the *service* and *servlen* parameters or both the *host* and *hostlen* parameters. An error occurs if both are omitted.

hostlen

A field that contains the length of the host storage used to contain the resolved host name. The *hostlen* parameter value must be equal to or greater than the length of the longest host name or of the host name and scope information combination, plus one for the null termination character, to be returned. The getnameinfo() call returns the host name, or host name and scope information, up to the length specified by the *hostlen* parameter. If the *hostlen* parameter is 0 on input, then the resolved host name is not returned.

This is an optional field, but if the field value is not 0, you must also specify the *host* parameter. Specify both the *service* and *servlen* parameters or both the *host* and *hostlen* parameters. An error occurs if both are omitted.

serv

On input, storage capable of holding the returned resolved service name, which can be a maximum of 33 bytes for a null terminated string, for the input socket address. If inadequate storage is specified to contain the resolved service name, the resolver returns the service name up to the storage specified and truncation might occur. If the service name cannot be located, or if NI_NUMERICSERV was specified in the *flags* parameter, then the numeric form of the service address is returned instead of its name.

This is an optional field, but if the value is not 0, then you must also specify the *servlen* parameter. Specify both the *service* and *servlen* parameters or both the *host* and *hostlen* parameters. An error occurs if both are omitted.

servlen

A field that contains the length of the storage used to contain the returned resolved service name (specified by the *serv* parameter). The *servlen* parameter must be equal to or greater than the length of the longest service name to be returned, plus one for the null termination character. The getnameinfo() call returns the service name up to the length specified by the *servlen* parameter value. If the *servlen* value is 0 on input, the service name information is not returned.

This is an optional field, but if the value is not 0, you must also specify the *serv* parameter. Specify both the *service* and *servlen* parameters or both the *host* and *hostlen* parameters. An error occurs if both are omitted.

flags

The parameter can be set to 0 or one of the following:

NI_NOFQDN

Return the NAME portion of the fully qualified domain name.

NI_NUMERICHOST

Return only the numeric form of host's address.

NI_NAMEREQD

Return an error if the host's name cannot be located.

NI_NUMERICSERV

Return only the numeric form of the service address.

NI_DGRAM

Indicates that the service is a datagram service. The default behavior is to assume that the service is a stream service.

NI_NUMERICSCOPE

Return only the numeric form of the *sin6_scope_id* interface index, if applicable.

getnameinfo() call return values

The value 0 indicates success; the value -1 indicates an error. To determine which error occurred, check the *errno* global variable, which is set to a return code. Possible codes include:

EAI_AGAIN

The host address specified could not be resolved within the configured time interval, or the resolver address space has not been started. The request can be retried at a later time.

EAI_BADFLAGS

The flags parameter had an incorrect value.

EAI_FAIL

An unrecoverable error has occurred.

EAI_FAMILY

The address family was not recognized, or the address length was incorrect for the specified family.

EAI_MEMORY

A memory allocation failure occurred.

EAI_NONAME

The hostname does not resolve for the supplied parameters. *NI_NAMEREQD* is set and the hostname cannot be located, or both *nodename* and *servname* were null. Or the requested address is valid but does not have a record at the name server.

getpeername() call

The *getpeername()* call returns the name of the peer connected to a specified socket.

getpeername() call format

This call has the following format:

```
#include <manifest.h> (non-reentrant programs only)
#include <cmanifes.h> (reentrant programs only)
#include <socket.h>
#include <bsdtypes.h>
int getpeername(int s, struct sockaddr *name, int *namelen)
```

getpeername() call parameters**s**

The socket descriptor.

name

A pointer to a structure that contains the IP address of the connected socket that is filled by *getpeername()* before it returns. The exact format of *name* is determined by the domain in which communication occurs.

The following fields are used to define the IPv4 socket address structure for the remote socket that is connected to the local socket specified in field *s*.

- The *sin_family* field is set to *AF_INET*.

- The *sin_port* field contains the connection peer's port number.
- The *in_addr.sin_addr* field contains the 32-bit IPv4 Internet address, in network byte order, of the connection peer's host machine.
- The *sin_zero* field is not used and is set to all zeros.

The following fields are used to define the IPv6 socket address structure for the remote socket that is connected to the local socket specified in field *s*.

- The *sin6_family* field is set to AF_INET6.
- The *sin6_port* field contains the connection peer's port number.
- The *sin6_flowinfo* field contains the traffic class and flow label. The value of this field is undefined.
- The *in6_addr.sin6_addr* field contains the 128-bit IPv6 Internet address, in network byte order, of the connection peer's host machine.
- The *sin6_scope_id* field identifies a set of interfaces as appropriate for the scope of the address carried in the *in6_addr.sin6_addr* field. For a link scope *in6_addr.sin6_addr*, *sin6_scope_id* contains the link index for the *in6_addr.sin6_addr*. For all other address scopes, *sin6_scope_id* is undefined.

namelen

A pointer to the structure that contains the size of the address structure pointed to by *name* in bytes. For an IPv4 socket address the *namelen* parameter should contain a decimal 16 and for an IPv6 socket address the *namelen* parameter should contain a decimal 28.

getpeername() call return values

The value 0 indicates success; the value -1 indicates an error. To determine which error occurred, check the *errno* global variable, which is set to a return code. Possible codes include:

EBADF

The *s* parameter is not a valid socket descriptor.

EFAULT

Using the *name* and *namelen* parameters as specified results in an attempt to access storage outside of the caller's address space.

ENOTCONN

The socket is not in the connected state.

getsockname() call

A *getsockname()* call returns the current name for socket *s* in the *sockaddr* structure pointed to by the *name* parameter. It returns the address of the socket that has been bound. If the socket is not bound to an address, the call returns with family set, and the rest of the structure set to zero. For example, an unbound IPv4 socket causes the name to point to a *sockaddr_in* structure with the *sin_family* field set to AF_INET and all other fields set to zero. An unbound IPv6 socket causes the name to point to a *sockaddr_in6* structure with the *sin6_family* field set to AF_INET6 and all other fields set to zero.

Stream sockets are not assigned a name until after a successful call to either *bind()*, *connect()*, or *accept()*.

The *getsockname()* call is often used to discover the port assigned to a socket after the socket has been implicitly bound to a port. For example, an application can call *connect()* without previously calling *bind()*. In this case, the *connect()* call completes the binding necessary by assigning a port to the socket. This assignment can be discovered with a call to *getsockname()*.

getsockname() call format

This call has the following format:

```
#include <manifest.h> (non-reentrant programs only)
#include <cmanifes.h> (reentrant programs only)
#include <socket.h>
#include <bsdtypes.h>
```

```
#include <in.h>
int getsockname(int s, struct sockaddr *name, int *namelen)
```

getsockname() call parameters

s

The socket descriptor.

name

The address of the buffer into which `getsockname()` copies the name of `s`.

The following fields are used to define the IPv4 socket address structure returned by the call.

- The `sin_family` field is set to `AF_INET`.
- The `sin_port` field contains the port number bound to this socket. If the socket is not bound, 0 is returned.
- The `in_addr.sin_addr` field contains the 32-bit IPv4 Internet address, in network byte order, of the local host machine. If the socket is not bound, the address is `INADDR_ANY`.
- The `sin_zero` field is not used and is set to all zeros.

The following fields are used to define the IPv6 socket address structure returned by the call.

- The `sin6_family` field is set to `AF_INET6`.
- The `sin6_port` field contains the port number bound to this socket. If the socket is not bound, 0 is returned.
- The `sin6_flowinfo` field contains the traffic class and flow label. The value of this field is undefined.
- The `in6_addr.sin6_addr` field contains the 128-bit IPv6 Internet address, in network byte order, of the local host machine. If the socket is not bound, the address is the IPv6 unspecified address (`in6addr_any`).
- The `sin6_scope_id` field identifies a set of interfaces as appropriate for the scope of the address carried in the `in6_addr.sin6_addr` field. For a link scope `in6_addr.sin6_addr`, `sin6_scope_id` contains the link index for the `in6_addr.sin6_addr`. For all other address scopes, `sin6_scope_id` is undefined.

namelen

Must initially point to an integer that contains the size in bytes of the storage pointed to by `name`.

Upon return, that integer contains the size of the data returned in the storage pointed to by `name`. For an IPv4 socket address the `namelen` parameter contains a decimal 16 and for an IPv6 socket address the `namelen` parameter contains a decimal 28.

getsockname() call return values

The value 0 indicates success; the value -1 indicates an error. To determine which error occurred, check the `errno` global variable, which is set to a return code. Possible codes include:

EBADF

The `s` parameter is not a valid socket descriptor.

EFAULT

Using the `name` and `namelen` parameters as specified results in an attempt to access storage outside of the caller's address space.

getsockopt(), setsockopt() calls

The `getsockopt()` call gets options associated with a socket; `setsockopt()` sets the options.

The following options are recognized at the `IPPROTO_IP` level:

- Joining a multicast group
- Leaving a multicast group or leaving all sources for a given multicast group

- Setting the multicast interface
- Setting the IP time-to-live of outgoing multicast datagrams
- Looping back multicast datagrams
- Joining a source-specific multicast group
- Leaving a source-specific multicast group
- Blocking data from a given source to a given multicast group
- Unblocking a previously blocked source for a given multicast group

The following options are recognized at the IPPROTO_IPV6 level:

- Joining a multicast group
- Leaving a multicast group
- Setting the multicast interface
- Setting multicast hop limit
- Looping back multicast datagrams
- Setting unicast hop limit
- Restricting sockets to AF_INET6 sockets
- Setting source IP address selection preferences
- Retrieving source IP address selection preferences

The following options are recognized at the IPPROTO_IP and IPPROTO_IPV6 level:

- Joining an IPv4 or IPv6 multicast group
- Leaving an IPv4 or IPv6 multicast group or leaving all sources for a given IPv4 or IPv6 multicast group
- Joining an IPv4 or IPv6 source-specific multicast group
- Leaving an IPv4 or IPv6 source-specific multicast group
- Blocking IPv4 or IPv6 data from a given source to a given multicast group
- Unblocking an IPv4 or IPv6 previously blocked source for a given multicast group

The following options are recognized at the socket level:

- Broadcasting messages (IPv4 UDP socket only)
- Toggling the TCP keep-alive mechanism for a stream socket
- Linger on close if data is present
- Receiving of out-of-band data
- Local address reuse
- Prevent infinite blocking for receive and send type functions

The following option is recognized at the TCP level (IPPROTO_TCP):

- Disable sending small data amounts until acknowledgment (Nagle algorithm)

As well as checking current options, `getsockopt()` can return pending errors and the type of socket.

getsockopt(), setsockopt() calls format

The format for `getsockopt()` is as follows:

```
#include <manifest.h> (non-reentrant programs only)
#include <cmanifes.h> (reentrant programs only)
#include <socket.h>
#include <bsdtypes.h>
#include <bsdtime.h>

int getsockopt(int s, int level, int optname, char *optval, int *optlen)
```


The format for `setsockopt()` is as follows:

```
#include <manifest.h> (non-reentrant programs only)
#include <cmanifes.h> (reentrant programs only)
#include <socket.h>
#include <bsdtypes.h>
#include <bsdtime.h>

int setsockopt(int s, int level, int optname, char *optval, int optlen)
```

Note: This code sample is for `getsockopt()`. The `setsockopt()` call requires the same parameters and declarations, except that:

- The socket function name changes; `getsockopt()` becomes `setsockopt()`.
- `int *optlen` should be replaced by `int optlen` (without the asterisk).

getsockopt(), setsockopt() calls parameters

s

The socket descriptor.

level

When manipulating socket options, you must specify the level at which the option resides and the name of the option. To manipulate options at the socket level, the *level* parameter must be set to `SOL_SOCKET` as defined in *socket.h*. For `TCP_NODELAY` at the TCP level, the level parameter must be set to `IPPROTO_TCP`. To manipulate other TCP level options or options at any other level, such as the IP level, supply the appropriate protocol number for the protocol controlling the option. Currently, only the `IPPROTO_IP`, `IPPROTO_IPV6`, `IPPROTO_TCP`, and `SOL_SOCKET` levels are supported.

optname

The name of a specified socket option. The options that are available with CICS TCP/IP are shown in “Possible entries for *optname*” on page 167.

optval and optlen

For `getsockopt()`, the *optval* and *optlen* parameters are used to return data used by the particular form of the call. The *optval* parameter points to a buffer that is to receive the data requested by the `get` command. The *optlen* parameter points to the size of the buffer pointed to by the *optval* parameter. It must be initially set to the size of the buffer before calling `getsockopt()`. On return it is set to the actual size of the data returned.

For `setsockopt()`, the *optval* and *optlen* parameters are used to pass data used by the particular set command. The *optval* parameter points to a buffer that contains the data needed by the set command. The *optval* parameter is optional and can be set to the NULL pointer, if data is not needed by the command. The *optlen* parameter must be set to the size of the data pointed to by *optval*.

For both calls, all of the socket level options except `SO_LINGER` expect *optval* to point to an integer and *optlen* to be set to the size of an integer. When the integer is nonzero, the option is enabled. When it is zero, the option is disabled. The `SO_LINGER` option expects *optval* to point to a *linger* structure as defined in *socket.h*.

This structure is defined in the following example:

```
#include <manifest.h>
struct linger
{
    int    l_onoff;           /* option on/off */
    int    l_linger;        /* linger time */
};
```

The *l_onoff* field is set to zero if the `SO_LINGER` option is being disabled. A nonzero value enables the option. The *l_linger* field specifies the amount of time to linger on close. The units of *l_linger* are seconds.

Possible entries for optname

The following options are recognized at the `IPPROTO_IP` level:

Option

Description

IP_ADD_MEMBERSHIP

Enables an application to join a multicast group on a specific interface. An interface must be specified with this option. Only applications that want to receive multicast datagrams need to join multicast groups. This is an IPv4 only socket option.

For `setsockopt()`, set the *optval* value to the structure as defined in `in.h`. The `ip_mreq` structure contains a 4-byte IPv4 multicast address followed by a 4-byte IPv4 interface address.

This option cannot be specified with the `getsockopt()` call.

IP_ADD_SOURCE_MEMBERSHIP

Enables an application to join a multicast group on a specific interface and a specific source address. An interface and a source address must be specified with this option. Only applications that want to receive multicast datagrams need to join source multicast groups. This socket option applies only to IPv4.

For the `setsockopt()` function, set the *optval* value to the `ip_mreq_source` structure as defined in the `in.h` header. The `ip_mreq_source` structure contains the following:

- 4-byte IPv4 multicast address
- 4-byte IPv4 source address
- 4-byte IPv4 interface address

This option cannot be specified with the `getsockopt()` function.

IP_BLOCK_SOURCE

Enables an application to block multicast packets that have a source address that matches the given IPv4 source address. An interface and a source address must be specified with this option. The specified multicast group must be joined previously. This socket option applies only to IPv4.

For the `setsockopt()` function, set the *optval* value to the `ip_mreq_source` structure as defined in the `in.h` header. The `ip_mreq_source` structure contains the following:

- 4-byte IPv4 multicast address
- 4-byte IPv4 source address
- 4-byte IPv4 interface address

This option cannot be specified with the `getsockopt()` function.

IP_DROP_MEMBERSHIP

Enables an application to exit a multicast group or to exit a multicast group and drop all sources. This is an IPv4-only socket option.

For the `setsockopt()` function, set the *optval* value to the `ip_mreq` structure as defined in the `in.h` header. The `ip_mreq` structure contains the following:

- 4-byte IPv4 multicast address
- 4-byte IPv4 interface address

This option cannot be specified with the `getsockopt()` function.

IP_DROP_SOURCE_MEMBERSHIP

Enables an application to exit a source multicast group. This socket option applies only to IPv4.

For the `setsockopt()` function, set the *optval* value to the `ip_mreq_source` structure as defined in the `in.h` header. The `ip_mreq_source` structure contains the following:

- 4-byte IPv4 multicast address
- 4-byte IPv4 source address
- 4-byte IPv4 interface address

This option cannot be specified with the `getsockopt()` function.

IP_MULTICAST_IF

Sets or obtains the IPv4 interface address used for sending outbound multicast datagrams from the socket application. This is an IPv4-only socket option.

Note: Multicast datagrams can be transmitted only on one interface at a time.

For `setsockopt()`, set *optval* to an IPv4 interface address.

For `getsockopt()`, *optval* contains an IPv4 interface address.

IP_MULTICAST_TTL

Sets or obtains the IP time-to-live of outgoing multicast datagrams. The default value is '01'x, meaning that multicast is available only to the local subnet. This is an IPv4-only socket option.

For `setsockopt()`, set *optval* to a value in the range X'00' - X'FF' specifying the time to live (TTL). *optval* is a 1-byte field.

For `getsockopt()`, *optval* contains a value in the range X'00' - X'FF', indicating TTL. *optval* is a 1-byte field.

IP_MULTICAST_LOOP

Controls or determines if a copy of multicast datagrams is looped back for multicast datagrams sent to a group to which the sending host itself belongs. The default is to loop the datagrams back. This is an IPv4-only socket option.

For `setsockopt()`, set *optval* to 1 to enable and set to 0 to disable.

For `getsockopt()`, *optval* contains a 1 when enabled and contains a 0 when disabled.

IP_UNBLOCK_SOURCE

Enables an application to unblock a previously blocked source for a given IPv4 source multicast group. An interface and a source address must be specified with this option. This socket option applies only to IPv4.

For the `setsockopt()` function, set the *optval* value to the `ip_mreq_source` structure as defined in the `in.h` header. The `ip_mreq_source` structure contains the following:

- 4-byte IPv4 multicast address
- 4-byte IPv4 source address
- 4-byte IPv4 interface address

This option cannot be specified with the `getsockopt()` function.

The following options are recognized at the `IPPROTO_IPV6` level:

Option

Description

IPV6_ADDR_PREFERENCES

Sets or retrieves the IPv6 address preferences to be used when selecting the source address for the specified `AF_INET6` socket. Possible values are:

IPV6_PREFER_SRC_HOME (x'00000001')

A home IPv6 address is preferred over a care-of IPv6 address.

IPV6_PREFER_SRC_COA (x'00000002')

A care-of IPv6 address is preferred over a home IPv6 address.

IPV6_PREFER_SRC_TMP (x'00000004')

A temporary IPv6 address is preferred over a public IPv6 address.

IPV6_PREFER_SRC_PUBLIC (x'00000008')

A public IPv6 address is preferred over a temporary IPv6 address.

IPV6_PREFER_SRC_CGA (x'00000010')

A cryptographically generated IPv6 address is preferred over a non-cryptographically generated IPv6 address.

IPV6_PREFER_SRC_NONCGA (x'00000020')

A non-cryptographically generated IPv6 address is preferred over a cryptographically generated IPv6 address.

For `setsockopt()`, contradictory flags such as `IPV6_PREFER_SRC_CGA` and `IPV6_PREFER_SRC_NONCGA` result in the return code -1 and the `errno` `EINVAL` (121).

IPV6_JOIN_GROUP

Controls the reception of multicast packets and specifies that the socket join a multicast group. This is an IPv6-only socket option.

For `setsockopt()`, set *optval* to the `ipv6_mreq` structure as defined in `in.h`. The `ipv6_mreq` structure contains a 16-byte IPv6 multicast address followed by a 4-byte IPv6 interface index number. If the interface number is 0, the stack chooses the local interface.

This cannot be specified with `getsockopt()`.

IPV6_LEAVE_GROUP

Controls the reception of multicast packets and specify that the socket leave a multicast group. This is an IPv6-only socket option.

For `setsockopt()`, set *optval* to the `ipv6_mreq` structure as defined in `in.h`. The `ipv6_mreq` structure contains a 16-byte IPv6 multicast address followed by a 4-byte IPv6 interface index number. If the interface number is 0, then the stack chooses the local interface.

This cannot be specified with `getsockopt()`.

IPV6_MULTICAST_HOPS

Sets or obtains the hop limit used for outgoing multicast packets. This is an IPv6-only socket option.

For `setsockopt()`, set *optval* to a value in the range 0 - 255, specifying the multicast hops. If *optval* is not specified or is set to 0, the default is 1 hop. If *optval* is set to a -1, the stack default hop is used.

Rule: An application must be APF authorized to enable it to set the hop limit value above the system defined hop limit value. The CICS application cannot execute as APF authorized.

For `getsockopt()`, *optval* contains a value in the range 0 - 255, indicating the number of multicast hops.

IPV6_MULTICAST_IF

Sets or obtains the index of the IPv6 interface used for sending outbound multicast datagrams from the socket application. This is an IPv6-only socket option.

For `setsockopt()`, set *optval* to a value that contains an IPv6 interface index.

For `getsockopt()`, *optval* contains an IPv6 interface index.

IPV6_MULTICAST_LOOP

Controls or determines whether a multicast datagram is looped back on the outgoing interface by the IP layer for local delivery when datagrams are sent to a group to which the sending host itself belongs. The default is to loop multicast datagrams back. This is an IPv6-only socket option.

For `setsockopt()`, set *optval* to 1 to enable and set to 0 to disable.

For `getsockopt()`, *optval* contains a 1 when enabled and contains a 0 when disabled.

IPV6_UNICAST_HOPS

Sets or obtains the hop limit used for outgoing unicast IPv6 packets. This is an IPv6-only socket option.

For `setsockopt()`, set *optval* to a value in the range 0 - 255, specifying the unicast hops. If *optval* is not specified or is set to 0, the default is 1 hop. If *optval* is set to a -1, the stack default hop is used.

Rule: An application must be APF authorized to enable it to set the hop limit value above the system defined hop limit value. The CICS application cannot execute as APF authorized.

For `getsockopt()`, *optval* contains a value in the range 0 - 255 indicating the number of unicast hops.

IPV6_V6ONLY

Sets or determines whether the socket is restricted to send and receive only IPv6 packets. The default is to not restrict the sending and receiving of only IPv6 packets. This is an IPv6-only socket option.

For `setsockopt()`, set *optval* to 1 to enable and set to 0 to disable.

For `getsockopt()`, *optval* contains a 1 when enabled and contains a 0 when disabled.

The following options are recognized at the IPPROTO_IP and IPPROTO_IPV6 level:

Option

Description

MCAST_BLOCK_SOURCE

Enables an application to block multicast packets that have a source address that matches the given source address. An interface index and a source address must be specified with this option. The specified multicast group must have been joined previously.

For the `setsockopt()` function, set the *optval* value to the `group_source_req` structure as defined in the `in.h` header. The `group_source_req` structure contains the following:

- 4-byte interface index number
- Socket address structure of the multicast address
- Socket address structure of the source address

This option cannot be specified with the `getsockopt()` function.

MCAST_JOIN_GROUP

Enables an application to join a multicast group on a specific interface. An interface index must be specified with this option. The stack chooses a default interface if the interface index 0 is specified. Only applications that want to receive multicast datagrams need to join multicast groups.

For the `setsockopt()` function, set the *optval* value to the `group_req` structure as defined in the `in.h` header. The `group_req` structure contains the following:

- 4-byte interface index number
- Socket address structure of the multicast address

This option cannot be specified with the `getsockopt()` function.

Sets the IPv4 or IPv6 multicast address and the local interface index. Use the `setsockopt()` function and specify the address of the `group_req` structure that controls the address and the interface index. The application can join multiple multicast groups on a single socket and can also join the same group on multiple interfaces on the same socket. However, there is a maximum limit of 20 groups per single UDP socket and there is a maximum limit of 256 groups per single RAW socket. The stack chooses a default multicast interface if the interface index 0 is passed. The format of the `group_req` structure is in the `in.h` header.

MCAST_JOIN_SOURCE_GROUP

Enables an application to join a multicast group on a specific interface and a source address. An interface index and the source address must be specified with this option. The stack chooses a default interface if the interface index 0 is specified. Only applications that want to receive multicast datagrams need to join source multicast groups.

For the `setsockopt()` function, set the *optval* value to the `group_source_req` structure as defined in the `in.h` header. The `group_source_req` structure contains the following:

- 4-byte interface index number
- Socket address structure of the multicast address
- Socket address structure of the source address

This option cannot be specified with the `getsockopt()` function.

MCAST_LEAVE_GROUP

Enables an application to exit a multicast group or to exit a multicast group and drop all sources.

For the `setsockopt()` function, set the `optval` value to the `group_req` structure as defined in the `in.h` header. The `group_req` structure contains the following:

- 4-byte interface index number
- Socket address structure of the multicast address

This option cannot be specified with the `getsockopt()` function.

MCAST_LEAVE_SOURCE_GROUP

Enables an application to exit a source multicast group on a specific interface and a source address.

For the `setsockopt()` function, set the `optval` value to the `group_source_req` structure as defined in the `in.h` header. The `group_source_req` structure contains the following:

- 4-byte interface index number
- Socket address structure of the multicast address
- Socket address structure of the source address

This option cannot be specified with the `getsockopt()` function.

MCAST_UNBLOCK_SOURCE

Enables an application to unblock a previously blocked source for a given multicast group. An interface index and a source address must be specified with this option.

For the `setsockopt()` function, set the `optval` value to the `group_source_req` structure as defined in the `in.h` header. The `group_source_req` structure contains the following:

- 4-byte interface index number
- Socket address structure of the multicast address
- Socket address structure of the source address

This option cannot be specified with the `getsockopt()` function.

The following options are recognized at the TCP level:

TCP_KEEPAVIVE

For `setsockopt`, the `TCP_KEEPAVIVE` socket option specifies a socket-specific timer value which remains in effect until specified by `SETSOCKOPT` or until the socket is closed. Valid values are in the range 0 - 2147460 seconds; if a value greater than the allowed range is specified, 2147460 seconds is used. For the `getsockopt` call, the `TCP_KEEPAVIVE` socket option returns the specific timer value in seconds in effect for the given socket, or 0 if `TCP_KEEPAVIVE` timing is not active. See [z/OS Communications Server: IP Programmer's Guide and Reference](#) for more information about the socket option parameters.

TCP_NODELAY

For `setsockopt`, toggles the use of the Nagle algorithm (RFC 896) for all data sent over the socket. Under most circumstances, TCP sends data when it is presented. However, when outstanding data has not yet been acknowledged, TCP gathers small amounts of output to be sent in a single packet after an acknowledgment is received. For interactive applications, such as ones that send a stream of mouse events which receive no replies, this gathering of output can cause significant delays. For these types of applications, disabling the Nagle algorithm improves response time. When the Nagle algorithm is disabled, TCP can send small amounts of data before the acknowledgment for previously sent data is received.

For `getsockopt`, returns the setting of the Nagle algorithm for the socket. When `optval` is 0, the Nagle algorithm is enabled and TCP waits to send small packets of data until the acknowledgment for the previous data is received. When `optval` is not 0, the Nagle algorithm is disabled and TCP can send small packets of data before the acknowledgment for previously sent data is received.

The following options are recognized at the socket level:

SO_BROADCAST

Toggles the ability to broadcast messages. If this option is enabled, it allows the application to send broadcast messages over `s`, if the interface specified in the destination supports the broadcasting of packets. This option has no meaning for stream sockets.

SO_ERROR

This cannot be specified with `setsockopt()`. It returns any pending error on the socket and clears the error status. It can be used to check for asynchronous errors on connected datagram sockets or for other asynchronous errors (errors that are not returned explicitly by one of the socket calls).

SO_KEEPAIVE

Sets or determines whether the keepalive mechanism periodically sends a packet on an otherwise idle connection for a stream socket. The default is disabled. When activated, the keepalive mechanism periodically sends a packet on an otherwise idle connection. If the remote TCP does not respond to the packet or to retransmissions of the packet, the connection is closed with the error ETIMEDOUT.

SO_LINGER

Lingers on close if data is present. When this option is enabled and there is unsent data present when `close()` is called, the calling application is blocked during the `close()` call until the data is transmitted or the connection has timed out. If this option is disabled, the TCP/IP address space waits to try to send the data. Although the data transfer is usually successful, it cannot be guaranteed, because the TCP/IP address space waits a finite amount of time trying to send the data. The `close()` call returns without blocking the caller.

Note: If you set a 0 linger time, the connection cannot close in an orderly manner, but stops, resulting in a RESET segment being sent to the connection partner. Also, if the aborting socket is in nonblocking mode, the close call is treated as though no linger option had been set.

SO_OOINLINE

Toggles reception of out-of-band data. When this option is enabled, it causes out-of-band data to be placed in the normal data input queue as it is received, making it available to `recvfrom()` without having to specify the MSG_OOB flag in the call. When this option is disabled, it causes out-of-band data to be placed in the priority data input queue as it is received, making it available to `recvfrom()`, and only by specifying the MSG_OOB flag in that call.

SO_RCVTIMEO

Use this option to set or determine the maximum amount of time a receive-type function can wait before it completes. If a receive-type function has blocked for this much time without receiving data, it returns with an `errno` set to EWOULDBLOCK. The default for this option is 0, which indicates that a receive-type function does not time out.

When the MSG_WAITALL flag (stream sockets only) is specified, the timeout takes precedence. The receive-type function might return the partial count. See the explanation of the MSG_WAITALL flag parameter in [“recv\(\) call parameters” on page 187](#) and [“recvfrom\(\) call” on page 188](#).

For `setsockopt()`, this value accepts a `timeval` structure; the number of seconds and microseconds specify the limit on how long to wait for a receive-type function to complete. The `timeval` structure contains the number of seconds and microseconds specified as fullword binary numbers. The seconds can be a value in the range 0 - 2678400 (equal to 31 days), and the microseconds can be a value in the range 0 - 1000000 (equal to 1 second). Although the `timeval` structure can be specified using microsecond granularity, the internal TCP/IP timers used to implement this function have a granularity of approximately 100 milliseconds.

The following receive-type functions are included:

- `read()`
- `recv()`
- `recvfrom()`

SO_REUSEADDR

Toggles local address reuse. When enabled, this option allows local addresses that are already in use to be bound. This alters the normal algorithm used in the `bind()` call. Normally, the system checks at

connect time to ensure that the local address and port do not have the same foreign address and port. The error EADDRINUSE is returned if the association already exists. If you require multiple servers to bind to the same port and listen on INADDR_ANY or the IPv6 unspecified address (in6addr_any), see to the SHAREPORT option on the PORT statement in TCPIP.PROFILE.

SO_SNDBUF

Applies to `getsockopt()` only. Returns the size of the data portion of the TCP/IP send buffer in *optval*. The size of the data portion of the send buffer is protocol-specific, based on the DATABUFFERPOOLSIZ statement in the PROFILE.TCPIP data set. The value is adjusted to allow for protocol header information.

SO_SNDTIMEO

Use this option to set or determine the maximum amount of time a send-type function can remain blocked before it completes. If a send-type function has blocked for this time, it returns with a partial count, or it returns with `errno` set to `EWouldBlock` if no data is sent. The default for this option is 0, which indicates that a send-type function does not time out.

For `setsockopt()`, this value accepts a `timeval` structure; the number of seconds and microseconds specify the limit on how long to wait for a send-type function to complete. The `timeval` structure contains the number of seconds and microseconds specified as fullword binary numbers. The seconds can be a value in the range 0 - 2 678 400 (equal to 31 days), and the microseconds can be a value in the range 0 -1 000 000 (equal to 1 second). Although the `timeval` structure can be specified using microsecond granularity, the internal TCP/IP timers used to implement this function have a granularity of approximately 100 milliseconds.

The following send type functions are included:

- `send()`
- `sendto()`
- `write()`

SO_TYPE

This is for `getsockopt()` only. This option returns the type of the socket. On return, the integer pointed to by *optval* is set to `SOCK_STREAM` or `SOCK_DGRAM`.

getsockopt(), setsockopt() calls return values

The value 0 indicates success; the value -1 indicates an error. To determine which error occurred, check the *errno* global variable, which is set to a return code. Possible codes include:

EBADF

The *s* parameter is not a valid socket descriptor.

EFAULT

Using *optval* and *optlen* parameters results in an attempt to access storage outside the caller's address space.

ENOPROTOPT

The *optname* parameter is unrecognized, or the *level* parameter is not `SOL_SOCKET`.

getsourcefilter() call

Obtains a list of the IPv4 or IPv6 source addresses that comprise the source filter, along with the current mode on a given interface and a multicast group for a socket. The source filter can either include or exclude the set of source addresses, depending on the filter mode (`MCAST_INCLUDE` or `MCAST_EXCLUDE`).

getsourcefilter() call format

This call has the following format:

```
#include <manifest.h> (non-reentrant programs  
only)
```



```
#include <cmanfies.h> (reentrant programs
only)
#include <netinet/in.h>
int getsourcefilter(int s, uint32_t interface,
struct sockaddr *group, socklen_t grouplen,
uint32_t *fmode, uint32_t *numsrc,
struct sockaddr_storage *slist);
```

getsourcefilter() call parameters

s

The socket descriptor.

interface

The interface index of the interface.

group

A pointer to either a sockaddr_in structure for IPv4 addresses or a sockaddr_in6 structure for IPv6 addresses that holds the IP multicast address of the group.

grouplen

The length of the sockaddr_in or sockaddr_in6 structure.

fmode

A pointer to an integer that contains the filter mode on a successful return. The value of the filter mode can be either MCAST_INCLUDE or MCAST_EXCLUDE.

numsrc

On input, a pointer to the number of source addresses that can fit in the array specified by the *slist* parameter. On output, a pointer to the total number of source addresses in the filter.

slist

A pointer to an array of IP addresses that is either included or excluded, depending on the filter mode. If a *numsrc* value 0 was specified on input, you can specify a NULL pointer.

On return, the *numsrc* value is always updated to be the total number of sources in the filter; the *slist* pointer points to an array that holds as many source addresses as fit, which is the minimum of the array size specified by the input *numsrc* value and the total number of sources in the filter.

If the application is not aware of the size of the source list before processing, it can make a reasonable guess (for example, 0). When the process completes, if the *numsrc* is large, the operation can be repeated with a large buffer.

getsourcefilter() call return values

When successful, the value 0 is returned. When an error has occurred, the value -1 is returned and the *errno* value is one of the following:

EBADF

The *s* parameter value is not a valid socket descriptor.

EAFNOSUPPORT

The address family of the sockaddr value is not AF_INET or AF_INET6.

EPROTOTYPE

The socket protocol type is not correct.

EADDRNOTAVAIL

The tuple consisting of socket, interface, and multicast group values does not exist, or the specified interface address is not multicast capable.

EINVAL

The socket address family of an input parameter is not correct or the socket specified by the *s* parameter already requested multicast setsockopt options. For more information, see the [z/OS Communications Server: IP Sockets Application Programming Interface Guide and Reference](#).

ENOMEM

Insufficient storage is available to supply the array.

ENXIO

The interface index specified by the *interface* parameter does not exist.

givesocket() call

The `givesocket()` call tells TCP/IP to make a specified socket available to a `takesocket()` call issued by another program. Any connected stream socket can be given. Typically, `givesocket()` is used by a parent server that obtains sockets by means of `accept()` and gives them to child servers that handle one socket at a time.

To pass a socket, the parent server first calls `givesocket()`, passing the name of the child server's address space.

The parent server then uses the EXEC CICS START command to start the child server. The START command uses the FROM data to pass the socket descriptor and the parent's client ID that were previously returned by the `socket()` and `getclientid()` calls respectively.

The child server calls `takesocket()`, specifying the parent's client ID and socket descriptor.

Having issued a `givesocket()` and started the child server that is to take the socket, the concurrent server uses `select()` to test the socket for an exception condition. When `select()` reports that an exceptional condition is pending, the concurrent server calls `close()` to free the socket. If the concurrent server closes the socket before a pending exception condition is indicated, the TCP connection is immediately reset, and the child server's `takesocket()` call is unsuccessful.

When a program has issued a `givesocket()` call for a socket, it cannot issue any further calls for that socket, except `close()`.

givesocket() call format

This call has the following format:

```
#include <manifest.h> (non-reentrant programs only)
#include <cmanifes.h> (reentrant programs only)
#include <bsdtypes.h>
#include <socket.h>

int givesocket(int s, struct clientid *clientid)
```

givesocket() call parameters

s

The descriptor of a socket to be given to another application.

clientid

A pointer to a `clientid` structure specifying the target program to whom the socket is to be given. You should fill the structure as follows:

domain

Set to either `AF_INET` (a decimal 2) or `AF_INET6` (a decimal 19).

Rule: An `AF_INET` socket can be given only to an `AF_INET` `takesocket()`. An `AF_INET6` socket can be given only to an `AF_INET6` `takesocket()`. `EBADF` is set if the domain does not match.

name

This is the child server's address space name, left-justified and padded with blanks. The child server can run in the same address space as the parent server. In this case, the field is set to the parent server's address space.

subtaskname

Blanks.

reserved

Binary zeros.

givesocket() call return Values

The value 0 indicates success; the value -1 indicates an error. To determine which error occurred, check the *errno* global variable, which is set to a return code. Possible codes include:

EBADF

The *s* parameter is not a valid socket descriptor, the socket has already been given, or the socket domain is not AF_INET or AF_INET6.

EBUSY

listen() has been called for the socket.

EFAULT

Using the *clientid* parameter as specified results in an attempt to access storage outside the caller's address space.

EINVAL

The *clientid* parameter does not specify a valid client identifier.

ENOTCONN

The socket is not connected.

EOPNOTSUPP

The socket type is not SOCK_STREAM.

if_freenameindex() call

The if_freenameindex() function is used to release the array storage obtained by the if_nameindex() function.

if_freenameindex() call format

This call has the following format:

```
#include <manifest.h> (non-reentrant programs only)
#include <cmanfies.h> (reentrant programs only)
#include <if.h>

void if_freenameindex(struct if_nameindex *ptr)
```

if_freenameindex() call parameters

ptr

A pointer that contains the address of the array of structures returned by the if_nameindex() function.

if_freenameindex() call return values

No return value is defined.

if_indextoname() call

The if_indextoname() function returns an interface name when given an interface index.

if_indextoname() call format

This call has the following format:

```
#include <manifest.h> (non-reentrant programs only)
#include <cmanfies.h> (reentrant programs only)
#include <if.h>

char * if_indextoname(unsigned int ifindex, char *ifname)
```

if_indexname() call parameters

ifindex

Storage that contains an interface index.

ifname

A buffer that contain the name of the index value specified in the *ifindex* parameter.

if_indexname() call return values

Possible return values include:

EINVAL

The *ifindex* parameter was zero, or the *ifname* parameter was NULL, or both.

ENOMEM

Insufficient storage is available to obtain the information for the interface name.

ENXIO

The *ifindex* does not yield an interface name.

if_nameindex() call

The `if_nameindex()` function is used to obtain a list of interface names and their corresponding indices. The `if_nameindex()` function is not supported by IPv4-only stacks. However, if a mixture of IPv4-only and IPv4 and IPv6 stacks are active under CINET, CINET assigns a single interface index to the IPv4-only stack. This allows applications using IPv6 sockets to target an IPv4-only stack but does not allow the selection of a particular interface on an IPv4-only stack. Not all interfaces are returned in the output from `if_nameindex()`. VIPA interfaces are not returned. Interfaces that have never been activated are not returned.

if_nameindex() call format

This call has the following format:

```
#include <manifest.h> (non-reentrant programs only)
#include <cmanfies.h> (reentrant programs only)
#include <if.h>

struct if_nameindex * if_nameindex(void)
```

if_nameindex() call parameters

There are no input parameters as the `if_nameindex()` function returns a pointer to an array of structures that contains information about each system interface. Check the `if_nameindex` structure in *if.h* for the format of the returned data.

if_nameindex() call return values

When successful, `if_nameindex()` returns a pointer to an array of `if_nameindex` structures. Upon failure, `if_nameindex()` returns NULL and sets *errno* to the following:

ENOMEM

Insufficient storage is available to supply the array.

if_nametoindex() call

The `if_nametoindex()` function returns an interface index when given an interface name.

if_nametoindex() call format

This call has the following format:

```
#include <manifest.h> (non-reentrant programs only)
#include <cmanfies.h> (reentrant programs only)
#include <if.h>

unsigned int if_nametoindex(const char * ifname)
```

if_nametoindex() call parameters

ifname

A pointer to null terminated storage that contains the interface name. If the interface specified by *ifname* does not exist then 0 is returned.

if_nametoindex() call return values

When successful, `if_nametoindex()` returns the interface index corresponding to the interface name *ifname*. Upon failure, `if_nametoindex()` returns zero and sets *errno* to one of the following:

EINVAL

A parameter was not specified. The *ifname* parameter was NULL.

ENOMEM

Insufficient storage is available to obtain the information for the interface name.

ENXIO

The specified interface name provided in the *ifname* parameter does not exist.

inet_ntop() call

Converts numeric IP addresses to their printable form.

inet_ntop() call format

This call has the following format:

```
#include <manifest.h> (non-reentrant programs only)
#include <cmanfies.h> (reentrant programs only)
#include <inet.h>

const char * inet_ntop(int af, const void *src, char *dst, socklen_t size)
```

inet_ntop() call parameters

af

The address family of the IP address being converted specified as `AF_INET` or `AF_INET6`.

src

A pointer to the IP address, in network byte order, to be converted to presentable form.

dst

A pointer to storage used to contain the converted IP address.

size

The size of the IP address pointed to by the *src* parameter.

inet_ntop() call return values

If successful, `inet_ntop()` returns a pointer to the buffer that contains the converted address.

If unsuccessful, `inet_ntop()` returns NULL and sets *errno* to one of the following values:

EAFNOSUPPORT

The address family specified in *af* is unsupported.

ENOSPC

The destination buffer *size* is too small.

inet_pton() call

Converts IP addresses from presentable text form to numeric form.

inet_pton() call format

This call has the following format:

```
#include <manifest.h> (non-reentrant programs only)
#include <cmanifes.h> (reentrant programs only)
#include <inet.h>

int inet_pton(int af, const char *src, void *dst)
```

inet_pton() call parameters

af

The address family of the IP address being converted, specified as AF_INET or AF_INET6.

src

A pointer to the IP address, in presentable text form, to be converted to numeric form.

dst

A pointer to storage used to contain the converted IP address. The converted address is in numeric form and network byte order.

inet_pton() call return values

If successful, `inet_pton()` returns 1 and stores the binary form of the Internet address in the buffer pointed to by `dst`.

If unsuccessful because the input buffer pointed to by `src` is not a valid string, `inet_pton()` returns 0.

If unsuccessful because the `af` argument is unknown, `inet_pton()` returns -1 and sets `errno` to the following value:

EAFNOSUPPORT

The address family specified in `af` is unsupported.

inet6_is_srcaddr() call

The `inet6_is_srcaddr()` call tests whether the input IP address matches an IP address in the node that conforms to all IPV6_ADDR_PREFERENCES flags specified in the call. You can use this call with IPv6 addresses or with IPv4-mapped IPv6 addresses.

You can use this call to test local IP addresses to verify that these addresses have the characteristics required by your application.

Tip: See RFC 5014 *IPv6 Socket API for Source Address Selection* for more information about the `inet6_is_srcaddr()` call. See [Appendix F, “Related protocol specifications,”](#) on page 559 for information about accessing RFCs.

inet6_is_srcaddr() call format

This call has the following format:

```
#include <manifest.h> (non-reentrant programs only)
#include <cmanifes.h> (reentrant programs only)
#include <socket.h>
#include <in.h>
#include <netdb.h>

short inet6_is_srcaddr(struct sockaddr_in6 *name, uint32_t flags)
```

inet6_is_srcaddr() parameters

name

Specifies the AF_INET6 socket address structure for the address that is to be tested.

Requirement: You must specify an AF_INET6 address. You can specify an IPv6 address or an IPv4-mapped IPv6 address. The format of the *name* buffer is expected to be *sockaddr_in6* as defined in the header file *in.h*. The format of the structure is shown in [Table 20](#) on page 139.

The IPv6 socket address structure specifies the following fields:

sin6_family

This field must be set to AF_INET6.

sin6_port

A halfword binary field. This field is ignored by *inet6_is_srcaddr()* processing.

sin6_flowinfo

A fullword binary field. This field is ignored by *inet6_is_srcaddr()* processing.

in6_addr.sin6_addr

A 16-byte binary field that is set to the 128-bit IPv6 Internet address (network byte order) to be tested.

Rule: Specify an IPv4 address by using its IPv4-mapped IPv6 format.

sin6_scope_id

A fullword binary field that identifies a set of interfaces as being appropriate for the scope of the address specified in the *in6_addr.sin6_addr* field. The value 0 indicates that the *sin6_scope_id* field does not identify the set of interfaces to be used.

Requirements: The *sin6_scope_id* value must be nonzero if the address is a link-local address. For all other address scopes, *sin6_scope_id* must be set to 0.

flags

A fullword binary field containing one or more IPV6_ADDR_PREFERENCES flags. The following table defines the valid IPV6_ADDR_PREFERENCES flags.

Flag name	Binary value	Decimal value	Description
IPV6_PREFER_SRC_HOME	x'00000001'	1	Test whether the input IP address is a home address. ¹
IPV6_PREFER_SRC_COA	x'00000002'	2	Test whether the input IP address is a care-of address. ²
IPV6_PREFER_SRC_TMP	x'00000004'	4	Test whether the input IP address is a temporary address.
IPV6_PREFER_SRC_PUBLIC	x'00000008'	8	Test whether the input IP address is a public address.
IPV6_PREFER_SRC_CGA	x'00000010'	16	Test whether the input IP address is cryptographically generated. ²

Flag name	Binary value	Decimal value	Description
IPV6_PREFER_SRC_NONCGA	x'00000020'	32	Test whether the input IP address is not cryptographically generated. ¹
<p>Note:</p> <ol style="list-style-type: none"> Any valid IP address that is known to the stack satisfies this flag. z/OS Communications Server does not support this type of address. The call always returns FALSE when this flag is specified with a valid IP address that is known to the stack. 			

Tips:

- The samples SEZAINST(EZACOBOL) and SEZAINST(CBLOCK) contain mappings for these flags.
- Some of these flags are contradictory. For example:
 - The flag IPV6_PREFER_SRC_HOME contradicts the flag IPV6_PREFER_SRC_COA.
 - The flag IPV6_PREFER_SRC_CGA contradicts the flag IPV6_PREFER_SRC_NONCGA.
 - The flag IPV6_PREFER_SRC_TMP contradicts the flags IPV6_PREFER_SRC_PUBLIC.

Result: If you specify contradictory flags in the call, the result is FALSE.

inet6_is_srcaddr() return values

Value description:

0

FALSE

The call was successful, and the result is FALSE. The input AF_INET6 address corresponds to an IP address on the node, but does not conform to one or more IPV6_ADDR_PREFERENCES flags specified in the call.

1

TRUE

The call was successful, and the result is TRUE. The input AF_INET6 address corresponds to an IP address on the node, and conforms to all IPV6_ADDR_PREFERENCES flags specified in the call.

-1

Check ERRNO for an error code.

See [Appendix B, “Return codes,”](#) on page 381 for information about ERRNO values.

initapi() call

The initapi() call connects your application to the TCP/IP interface.

initapi() call format

This call has the following format:

```
#include <manifest.h> (non-reentrant programs only)
#include <cmanifes.h> (reentrant programs only)
int initapi(int max_sock, char *subtaskid)
```


initapi() call parameters

max_sock

The maximum number of sockets requested. This value cannot exceed 2000. The minimum value is 50.

subtaskid

A unique 8-character ID, which should be the 4-byte packed EIBTASKN value in the EIB plus three character 0's and a unique displayable character.

Using the letter L as the last character in the subtask parameter causes the tasking mechanism to assume that the CICS transaction is a listener. The task mechanism schedules the transaction using a non-reusable subtask by way of MVS attach processing when OTE=NO. This value has no effect when OTE=YES.

initapi() call return values

A positive value indicates success; a value of -1 indicates an error. To determine which error occurred, check the *errno* global variable, which is set to a return code.

ioctl() call

The `ioctl()` call controls the operating characteristics of sockets. This call can issue a command to do any of the following:

- Set or clear nonblocking input and output for a socket.
- Get the number of immediately readable bytes for the socket.
- Query whether the current location in the data input is pointing to out-of-band data.
- Get the IPv6 home interface addresses.
- Get the network interface address.
- Get the network interface broadcast address.
- Get the network interface configuration.
- Get the network interface names and indices.
- Control Application Transparent Transport Layer Security (AT-TLS) for a connection
- Retrieve connection routing information and partner security credentials

ioctl() call format

This call has the following format:

```
#include <manifest.h> (non-reentrant programs only)
#include <cmanifes.h> (reentrant programs only)
#include <bsdtypes.h>
#include <ioctl.h>
#include <ezbpinfo.h>
#include <ezbztlsc.h>
#include <ezbyapl.c.h>
#include <rtroute.h>
#include <if.h>

int ioctl(int s, unsigned long cmd,
char *arg)
```

ioctl() call parameters

s

The socket descriptor.

cmd and arg

cmd is the command to perform; *arg* is a pointer to the data associated with *cmd*. The following are valid `ioctl()` commands:

FIONBIO

Sets or clears nonblocking input and output for a socket. *arg* is a pointer to an integer. If the integer is 0, the socket is in nonblocking mode. Otherwise, the socket is set for nonblocking input/output.

FIONREAD

Gets the number of immediately readable bytes for the socket. *arg* is a pointer to an integer. Sets the value of the integer to the number of immediately readable characters for the socket.

SIOCATMARK

Queries whether the current location in the data input is pointing to out-of-band data. The *arg* parameter is a pointer to an integer. The parameter sets the argument to 1 if the socket points to a mark in the data stream for out-of-band data. Otherwise, it sets the argument to 0.

SIOCGHOMEIF6

Get the IPv6 home interfaces. The *arg* parameter is a pointer to a *NetConfHdr* structure, as defined in *ioctl.h*. A pointer to a *HomeIf* structure that contains a list of home interfaces is returned in the *NetConfHdr* pointed to by the argument. To request OSM interfaces the application must have READ authorization to the EZB.OSM.sysname.tcpname resource.

SIOCGIFADDR

Gets the network interface address. The *arg* parameter is a pointer to an *ifreq* structure, as defined in *if.h*. The interface address is returned in the argument.

SIOCGIFBRDADDR

Gets the network interface broadcast address. The *arg* parameter is a pointer to an *ifreq* structure, as defined in *if.h*. The interface broadcast address is returned in the argument.

SIOCGIFCONF

Gets the network interface configuration. The *arg* parameter is a pointer to an *ifconf* structure, as defined in *if.h*. The interface configuration is returned in the argument.

SIOCGIFDSTADDR

Gets the network interface destination address. The *arg* parameter is a pointer to an *ifreq* structure, as defined in *if.h*. The interface destination (point-to-point) address is returned in the argument.

SIOCGIFMTU

Gets the IPv4 network interface MTU (maximum transmission unit). The *arg* parameter is a pointer to an *ifreq* structure, as defined in the *if.h* file. The interface MTU is returned in the argument.

SIOCGPARTNERINFO

Provides an interface for an application to retrieve security information about its partner. The *arg* parameter is a pointer to a *PartnerInfo* structure, as defined by the EZBPINFC header file in the SEZANMAC dataset. For more information about using the **SIOCGPARTNERINFO** ioctl, see [z/OS Communications Server: IP Programmer's Guide and Reference](#).

Restriction: The SIOCGPARTNERINFO ioctl command is not called by the IBM listener.

Tip: If the partner end-point is the IBM Listener or a child server and partner security credentials were requested, then only the CICS address space information is returned on the SIOCGPARTNERINFO ioctl invocation.

SIOCSAPPLDATA

Enables an application to associate 40 bytes of user-specified application data with a TCP connection. Identifies socket endpoints in tools such as Netstat, SMF, or network management applications.

Requirement: When you issue the SIOCSAPPLDATA ioctl() function, ensure that the *arg* parameter contains a *SetApplData* structure as defined by the EZBYAPLC header file in the SEZANMAC dataset. See [z/OS Communications Server: IP Programmer's Guide and Reference](#) for more information about programming the SIOCSAPPLDATA IOCTL.

SetAD_buffer

The user-defined application data comprises 40 bytes of data that is used to identify the TCP connection with the IP CICS socket API sockets application. The application data can be displayed in the following ways:

- By requesting Netstat reports. The information is displayed conditionally using the modifier APPLDATA on the ALLC/-a and COnn /-c reports and unconditionally on the ALL/-A report. See the Netstat ALL/-A report, Netstat ALLConn/-a report, and Netstat COnn/-c report in [z/OS Communications Server: IP System Administrator's Commands](#) for more information about Netstat reports.
- In the SMF 119 TCP connection termination record. See [TCP connection termination record \(subtype 2\)](#) in [z/OS Communications Server: IP Programmer's Guide and Reference](#) for more information about the application data written on the SMF 119 record.
- By network management applications. See [Network management interfaces in z/OS Communications Server: IP Programmer's Guide and Reference](#) for more information about application data.

Applications using this ioctl need to consider the following guidelines:

- The application is responsible for documenting the content, format, and meaning of the ApplData strings that it associates with sockets it owns.
- The application should uniquely identify itself with printable EBCDIC characters at the beginning of the string. Strings beginning with 3-character IBM product identifiers, such as EZA or EZB, are reserved for IBM use. IBM product identifiers begin with a letter in the range A - I.
- Printable EBCDIC characters should be used for the entire string to enable searching with Netstat filters.

Tip: Separate application data elements with a blank for easier reading.

SIOCSPARTNERINFO

The SIOCSPARTNERINFO ioctl sets an indicator to retrieve the partner security credentials during connection setup and saves the information, enabling an application to issue a SIOCGPARTNERINFO ioctl without suspending the application, or at least minimizing the time to retrieve the information. The SIOCSPARTNERINFO ioctl must be issued prior to the SIOCGPARTNERINFO ioctl. The *arg* parameter is a pointer to a constant value, PI_REQTYPE_SET_PARTNERDATA, as defined by the EZBPINFC header file in the SEZANMAC dataset. For more information about using the [SIOCSPARTNERINFO](#) ioctl, see [z/OS Communications Server: IP Programmer's Guide and Reference](#).

Restriction: The SIOCSPARTNERINFO ioctl command is not called by the IBM listener.

SIOCTLSCTL

Controls Application Transparent Transport Layer Security (AT-TLS) for the connection. The *arg* parameter is a pointer to a TTLS_IOCTL structure, as defined in ezbztlsc.h. If a partner certificate is requested, the TTLS_IOCTL must include a pointer to additional buffer space and the length of that buffer. Information is returned in the TTLS_IOCTL structure. If a partner certificate is requested and one is available, it is returned in the additional buffer space. For more usage information, see [z/OS Communications Server: IP Programmer's Guide and Reference](#).

ioctl() call return values

The value 0 indicates success; the value -1 indicates an error. To determine which error occurred, check the *errno* global variable, which is set to a return code. Possible codes include:

EBADF

The *s* parameter is not a valid socket descriptor.

EINVAL

The request is not correct or not supported.

listen() call

The listen() call performs two tasks for a specified stream socket:

1. Completes the necessary binding if bind() has not been called for the socket.
2. Creates a connection request queue of a specified length to queue incoming connection requests.

The listen() call indicates a readiness to accept client connection requests. It transforms an active socket into a passive socket. A passive socket can never be used as an active socket to initiate connection requests.

Calling listen() is the third of four steps that a server performs to accept a connection. It is called after allocating a stream socket with socket(), and after binding a name to the socket with bind(). It must be called before calling accept() to accept a connection request from a client.

listen() call format

This call has the following format:

```
#include <manifest.h> (non-reentrant programs only)
#include <cmanifes.h> (reentrant programs only)
#include <socket.h>

int listen(int s, int backlog)
```

listen() call parameters

s

The socket descriptor.

backlog

Defines the maximum length for the queue of pending connections.

Note: The *backlog* value specified on the LISTEN call cannot be greater than the value configured by the SOMAXCONN statement in the stack's TCPIP PROFILE (default=10); no error is returned if a greater *backlog* value is requested. If you want a larger backlog, update the SOMAXCONN statement. See the [z/OS Communications Server: IP Configuration Reference](#) for details.

listen() call return values

The value 0 indicates success; the value -1 indicates an error. To determine which error occurred, check the *errno* global variable, which is set to a return code. Possible codes include:

EBADF

The *s* parameter is not a valid socket descriptor.

EOPNOTSUPP

The *s* parameter is not a socket descriptor that supports the listen() call.

read() call

The read() call reads data on a specified connected socket.

Stream sockets act like streams of information with no boundaries separating data. For example, if applications A and B are connected with a stream socket and application A sends 1000 bytes, each call to this function can return 1 byte, or 10 bytes, or the entire 1000 bytes. Therefore, applications using stream sockets should place this call in a loop, which should repeat until all data has been received.

read() call format

This call has the following format:

```
#include <manifest.h> (non-reentrant programs only)
#include <cmanifes.h> (reentrant programs only)
```

```
int read(int s, char *buf, int len)
```

read() call parameters

s

The socket descriptor.

buf

The pointer to the buffer that receives the data.

len

The length in bytes of the buffer pointed to by the *buf* parameter.

read() call return values

If successful, the number of bytes copied into the buffer is returned. The value 0 indicates that the connection is closed. The value -1 indicates an error. To determine which error occurred, check the *errno* global variable, which is set to a return code. Possible codes include:

EBADF

s is not a valid socket descriptor.

EFAULT

Using the *buf* and *len* parameters results in an attempt to access storage outside the caller's address space.

EWOULDBLOCK

s is in nonblocking mode, and data is not available to read.

recv() call

The *recv()* call receives data on a specified socket.

If a datagram packet is too long to fit in the supplied buffer, datagram sockets discard extra bytes. Stream sockets act like streams of information with no boundaries separating data. For example, if applications A and B are connected with a stream socket and application A sends 1000 bytes, each call to this function can return 1 byte, or 10 bytes, or up to 1000 bytes. Therefore, applications using stream sockets should place this call in a loop, calling this function until all data has been received.

recv() call format

This call has the following format:

```
#include <manifest.h> (non-reentrant programs only)
#include <cmanifes.h> (reentrant programs only)
#include <bsdtypes.h>
#include <socket.h>
int recvfrom(int s, char *buf,
int len, int flags)
```

recv() call parameters

s

The socket descriptor.

buf

The pointer to the buffer that receives the data.

len

The length in bytes of the buffer pointed to by the *buf* parameter.

flags

A parameter that can be set to 0, MSG_OOB, MSG_PEEK, or MSG_WAITALL.

MSG_OOB

Receive out-of-band (OOB) data (stream sockets only). Even if the OOB flag is not set, out-of-band data can be read if the SO_OOBINLINE option is set for the socket.

MSG_PEEK

Peek at the data, but do not destroy the data. If the peek flag is set, the next receive operation reads the same data.

MSG_WAITALL

Requests that the function block until the full amount of data requested can be returned (stream sockets only). The function might return a smaller amount of data if the connection is closed, an error is pending, or if the SO_RCVTIMEO value is set and the timer expired for the socket.

recv() call return values

If successful, the length of the message or datagram in bytes is returned. The value 0 indicates that the connection is closed. The value -1 indicates an error. To determine which error occurred, check the *errno* global variable, which is set to a return code. Possible codes include:

EBADF

s is not a valid socket descriptor.

EFAULT

Using the *buf* and *len* parameters results in an attempt to access storage outside the caller's address space.

EWOULDBLOCK

s is in nonblocking mode, and data is not available to read.

recvfrom() call

The `recvfrom()` call receives data on a specified socket. The `recvfrom()` call applies to any datagram socket, whether connected or unconnected.

The call returns the length of the incoming message or data. If a datagram packet is too long to fit in the supplied buffer, datagram sockets discard extra bytes. Stream sockets act like streams of information with no boundaries separating data. For example, if applications A and B are connected with a stream socket and application A sends 1000 bytes, each call to this function can return 1 byte, or 10 bytes, or the entire 1000 bytes. Therefore, applications using stream sockets should place this call in a loop, calling this function until all data has been received.

recvfrom() call format

This call has the following format:

```
#include <manifest.h> (non-reentrant programs only)
#include <cmanifes.h> (reentrant programs only)
#include <bsdtypes.h>
#include <socket.h>

int recvfrom(int s, char *buf,
int len, int flags,
struct sockaddr *name, int *namelen)
```

recvfrom() call parameters

s

The socket descriptor.

buf

The pointer to the buffer that receives the data.

len

The length in bytes of the buffer pointed to by the *buf* parameter.

flags

A parameter that can be set to 0, MSG_OOB, MSG_PEEK, or MSG_WAITALL.

MSG_OOB

Receive out-of-band data (stream sockets only). Even if the OOB flag is not set, out-of-band data can be read if the SO_OOBINLINE option is set for the socket.

MSG_PEEK

Peek at the data, but do not destroy data. If the peek flag is set, the next receive operation reads the same data.

MSG_WAITALL

Requests that the function block until the full amount of data requested can be returned (stream sockets only). The function might return a smaller amount of data if the connection is closed, an error is pending, or if the SO_RCVTIMEO value is set and the timer expired for the socket.

name

A pointer to a *socket address* structure from which data is received. If *name* is a nonzero value, the source address is returned.

The following fields are used to define the IPv4 socket address structure of the socket that sent the data.

sin_family

This field is set to AF_INET.

sin_port

Contains the port number of the sending socket.

in_addr.sin_addr

Contains the 32-bit IPv4 Internet address, in network byte order, of the sending socket.

sin_zero

This field is not used and is set to all zeros.

The following fields are used to define the IPv6 socket address structure of the socket that sent the data.

sin6_family

This field is set to AF_INET6.

sin6_port

Contains the port number bound of the sending socket.

sin6_flowinfo

Contains the traffic class and flow label. The value of this field is undefined.

in6_addr.sin6_addr

Contains the 128-bit IPv6 Internet address, in network byte order, of the sending socket.

sin6_scope_id

Identifies a set of interfaces as appropriate for the scope of the address carried in the *in6_addr.sin6_addr* field. For a link scope *in6_addr.sin6_addr*, *sin6_scope_id* contains the link index for the *in6_addr.sin6_addr*. For all other address scopes, *sin6_scope_id* is undefined.

namelen

A pointer to an integer that contains the size of *name* in bytes. For an IPv4 socket address, the *namelen* parameter contains a decimal 16. For an IPv6 socket address, the *namelen* parameter contains a decimal 28.

recvfrom() call return values

If successful, the length of the message or datagram in bytes is returned. The value 0 indicates that the connection is closed. The value -1 indicates an error. To determine which error occurred, check the *errno* global variable, which is set to a return code. Possible codes include:

EBADF

s is not a valid socket descriptor.

EFAULT

Using the *buf* and *len* parameters results in an attempt to access storage outside the caller's address space.

EWOULDBLOCK

s is in nonblocking mode, and data is not available to read.

select() call

The select() call is useful in processes where multiple operations can occur, and it is necessary for the program to be able to wait on one or several of the operations to complete.

For example, consider a program that issues a read() to multiple sockets whose blocking mode is set. Because the socket blocks on a read() call, only one socket could be read at a time. Setting the sockets nonblocking solves this problem, but requires polling each socket repeatedly until data became available. The select() call allows you to test several sockets and to execute a subsequent I/O call only when one of the tested sockets is ready, thereby ensuring that the I/O call does not block.

Defining which sockets to test

The select() call monitors for read operations, write operations, and exception operations:

- When a socket is ready to read, do one of the following:
 - A buffer for the specified sockets contains input data. If input data is available for a given socket, a read operation on that socket does not block.
 - A connection has been requested on that socket.
- When a socket is ready to write, TCP/IP can accommodate additional output data. If TCP/IP can accept additional output for a given socket, a write operation on that socket does not block.
- When an exception condition has occurred on a specified socket, it is an indication that a takesocket() has occurred for that socket.

Each socket is represented by a bit in a bit string. The bit strings are contained in 32-bit fullwords, numbered from right-to-left. The right-most bit represents socket 0, the leftmost bit represents socket 31, and so on. Thus, if the process uses 32 (or less) sockets, the bit string is one word long; if the process uses up to 64 sockets, the bit string is two words long, etc. You define which sockets to test by turning on the corresponding bit in the bit string.

Read operations calls

Read operations include accept(), read(), recv(), or recvfrom() calls. A socket is ready to be read when data has been received for it, or when a connection request has occurred.

To test whether any of several sockets is ready for reading, set the appropriate bits in READFDS to '1' before issuing the select() call. When the select() call returns, the corresponding bits in the READFDS indicate sockets ready for reading.

Write operations calls

A socket is selected for writing (ready to be written) when:

- TCP/IP can accept additional outgoing data.
- A connection request is received in response to an accept() call.
- The socket is marked nonblocking, and a connect() cannot be completed immediately. In this case, ERRNO contains a value of 36 (EINPROGRESS). This is not an error condition.

A call to write(), send(), or sendto() blocks when the amount of data to be sent exceeds the amount of data TCP/IP can accept. To avoid this, you can precede the write operation with a select() call to ensure that the socket is ready for writing. After a socket is selected for write(), the program can determine the amount of TCP/IP buffer space available by issuing the getsockopt() call with the SO_SNDBUF option.

To test whether any of several sockets is ready for writing, set the WRITEFDS bits representing those sockets to 1 before issuing the select() call. When the select() call returns, the corresponding bits in the WRITEFDS indicate sockets ready for writing.

Exception operations for the select() call

For each socket to be tested, the select() call can check for an existing exception condition. Two exception conditions are supported:

- The calling program (concurrent server) has issued a givesocket() command and the target child server has successfully issued the takesocket() call. When this condition is selected, the calling program (concurrent server) should issue close() to dissociate itself from the socket.
- A socket has received out-of-band data. On this condition, a READ returns the out-of-band data ahead of program data.

To test whether any of several sockets have an exception condition, set the EXCEPTFDS bits representing those sockets to 1. When the select() call returns, the corresponding bits in the EXCEPTFDS indicate sockets with exception conditions.

NFDS parameter for the select() call

The select() call tests each bit in each string before returning results. For efficiency, the NFDS parameter can be used to specify the number of socket descriptors that need to be tested for any event type. The select() call tests only bits in the range 0 through the (NFDS-1) value.

TIMEOUT parameter for the select() call

If the time specified in the TIMEOUT parameter elapses before any event is detected, the select() call returns, and RETCODE is set to 0.

select() call format

This call has the following format:

```
#include <manifest.h> (non-reentrant programs only)
#include <cmanifest.h> (reentrant programs only)
#include <socket.h>
#include <bsdtypes.h>
#include <bsdtime.h>

int select(int nfds, fd_set *readfds,
           fd_set *writefds, fd_set *exceptfds,
           struct timeval *timeout)
```

select() call parameters

nfds

The number of socket descriptors to check.

readfds

The pointer to a bit mask of descriptors to check for reading.

writefds

The pointer to a bit mask of descriptors to check for writing.

exceptfds

The pointer to a bit mask of descriptors to be checked for exceptional pending conditions.

timeout

The pointer to the time to wait for the select() call to complete. If *timeout* is a NULL pointer, a zero-valued timeval structure is substituted in the call. The zero-valued timeval structure causes TCP/IP stacks to poll the sockets and return immediately to the caller.

select() call return values

A positive value represents the total number of ready sockets in all bit masks. The value 0 indicates an expired time limit. The three bit masks indicate status (with one bit for each socket). A bit 1 indicates that the respective socket is ready; a bit 0 indicates that the respective socket is not ready. You can use the macro `FD_ISSET`¹⁰ with each socket to test its status.

The value -1 indicates an error. To determine which error occurred, check the `errno` global variable, which is set to a return code. Possible codes include:

EBADF

One of the bit masks specified an incorrect socket. `FD_ZERO` was probably not called to clear the bit mask before the sockets were set.

EFAULT

One of the bit masks pointed to a value outside the caller's address space.

EINVAL

One of the fields in the `timeval` structure is not correct.

send() call

The `send()` call sends data on an already-connected socket.

The `select()` call can be used prior to issuing the `send()` call to determine when it is possible to send more data.

Stream sockets act like streams of information with no boundaries separating data. For example, if an application is required to send 1000 bytes, each call to this function can send 1 byte, or 10 bytes, or the entire 1000 bytes. Therefore, applications using stream sockets should place this call in a loop, calling this function until all data has been sent.

send() call format

This call has the following format:

```
#include <manifest.h> (non-reentrant programs only)
#include <cmanifes.h> (reentrant programs only)
#include <bsdtypes.h>
#include <socket.h>

int send(int s, char *msg,
int len, int flags)
```

send() call parameters

s

The socket descriptor.

msg

The pointer to the buffer that contains the message to transmit.

len

The length of the message pointed to by the `buf` parameter.

flags

The `flags` parameter is set by specifying one or more of the following flags. If more than one flag is specified, the logical OR operator (`|`) must be used to separate them.

MSG_OOB

Sends out-of-band data.

¹⁰ See [z/OS Communications Server: IP Programmer's Guide and Reference](#) for details.

MSG_DONTRROUTE

The SO_DONTRROUTE option is turned on for the duration of the operation. This is usually used only by diagnostic or routing programs.

send() call return values

A positive value represents the number of bytes sent. The value -1 indicates locally detected errors. When datagram sockets are specified, no indication of failure to deliver is implicit in a send() routine.

To determine which error occurred, check the *errno* global variable, which is set to a return code. Possible codes include:

EBADF

s is not a valid socket descriptor.

EFAULT

Using the *buf* and *len* parameters results in an attempt to access storage outside the caller's address space.

ENOBUFS

Buffer space is not available to send the message.

EWOULDBLOCK

s is in nonblocking mode and data is not available to read.

sendto() call

The sendto() call sends data to the address specified in the call.

Stream sockets act like streams of information with no boundaries separating data. For example, if an application wishes to send 1000 bytes, each call to this function can send 1 byte, or 10 bytes, or the entire 1000 bytes. Therefore, applications using stream sockets should place this call in a loop, calling this function until all data has been sent.

sendto() call format

This call has the following format:

```
#include <manifest.h> (non-reentrant programs only)
#include <cmanifest.h> (reentrant programs only)
#include <bsdtypes.h>
#include <socket.h>

int sendto(int s, char *msg,
           int len, int flags,
           struct sockaddr *to, int tolen)
```

sendto() call parameters

s

The socket descriptor.

msg

The pointer to the buffer that contains the message to transmit.

len

The length of the message in the buffer pointed to by the *msg* parameter.

flags

A parameter that can be set to 0 or MSG_DONTRROUTE.

MSG_DONTRROUTE

The SO_DONTRROUTE option is turned on for the duration of the operation. This is usually used only by diagnostic or routing programs.

to

The address of the target socket address structure.

The following fields are used to define the IPv4 socket address structure the data is sent to.

sin_family

Must be set to AF_INET.

sin_port

Set to the port number bound to the socket.

in_addr.sin_addr

Set to the 32-bit IPv4 Internet address in network byte order.

sin_zero

This field is not used and must be set to all zeros.

The following fields are used to specify the IPv6 socket address structure the data is sent to.

sin6_family

Must be set to AF_INET6.

sin6_port

Set to the port number bound to the socket.

sin6_flowinfo

Used to specify the traffic class and flow label. This field must be set to zero.

in6_addr.sin6_addr

Set to the 128-bit IPv6 Internet address in network byte order.

sin6_scope_id

Used to identify a set of interfaces as appropriate for the scope of the address carried in the *in6_addr.sin6_addr* field. A value of zero indicates the *sin6_scope_id* does not identify the set of interfaces to be used, and might be specified for any address types and scopes. For a link scope *in6_addr.sin6_addr*, *sin6_scope_id* might specify a link index which identifies a set of interfaces. For all other address scopes, *sin6_scope_id* is undefined.

tolen

The size of the structure pointed to by *to*. For an IPv4 socket address, the *tolen* parameter contains a decimal 16. For an IPv6 socket address, the *tolen* parameter contains a decimal 28.

sendto() call return values

If positive, indicates the number of bytes sent. The value -1 indicates an error. No indication of failure to deliver is implied in the return value of this call when used with datagram sockets.

To determine which error occurred, check the *errno* global variable, which is set to a return code. Possible codes include:

EBADF

s is not a valid socket descriptor.

EFAULT

Using the *buf* and *len* parameters results in an attempt to access storage outside the caller's address space.

EINVAL

tolen is not the size of a valid address for the specified address family.

EMSGSIZE

The message was too big to be sent as a single datagram. The default is large-envelope-size.

ENOBUFS

Buffer space is not available to send the message.

EWOULDBLOCK

s is in nonblocking mode, and data is not available to read.

setipv4sourcefilter() call

Sets a list of the IPv4 source addresses that comprise the source filter, along with the current mode on a given interface and a multicast group for a socket. The source filter can either include or exclude the set of source addresses, depending on the filter mode (MCAST_INCLUDE or MCAST_EXCLUDE).

setipv4sourcefilter() call format

This call has the following format:

```
#include <manifest.h> (non-reentrant programs
only)
#include <cmanfies.h> (reentrant programs
only)
#include <netinet/in.h>
int setipv4sourcefilter (int s, struct in_addr interface,
                        struct in_addr group, uint32_t fmode,
                        uint32_t numsrc, struct in_addr *slist);
```

setipv4sourcefilter() call parameters

s

The socket descriptor.

interface

The local IP address of the interface.

group

The IP multicast address of the group.

fmode

An integer that contains the filter mode to be set. The value of the filter mode can be MCAST_INCLUDE or MCAST_EXCLUDE.

numsrc

The number of source addresses in the *slist* array.

slist

A pointer to an array of IP addresses that is either included or excluded, depending on the filter mode. If the *numsrc* value 0 was specified on input, you can specify a NULL pointer. A maximum of 64 IP addresses can be specified.

setipv4sourcefilter() call return values

When successful, the value 0 is returned. When an error occurs, the value -1 is returned and the *errno* value is one of the following:

EBADF

The *s* parameter value is not a valid socket descriptor

EINVAL

The *interface* or *group* parameter value is not a valid IPv4 address, the specified *fmode* value is not valid, or the socket *s* has already requested multicast setsockopt options. For more information, see [z/OS Communications Server: IP Sockets Application Programming Interface Guide and Reference](#).

EPROTOTYPE

The socket protocol type is not correct.

ENOBUFS

The number of source addresses exceeds the allowed limit.

ENOMEM

Insufficient storage is available to supply the array.

EADDRNOTAVAIL

The specified interface address is incorrect for this host, or the specified interface address is not multicast capable.

setsockopt() call

See “[getsockopt\(\), setsockopt\(\) calls](#)” on page 165.

setsourcefilter() call

Sets a list of the IPv4 or IPv6 source addresses that comprise the source filter, along with the current mode on a given interface and a multicast group for a socket. The source filter can either include or exclude the set of source addresses, depending on the filter mode (MCAST_INCLUDE or MCAST_EXCLUDE).

setsourcefilter() call format

This call has the following format:

```
#include <manifest.h> (non-reentrant programs
only)
#include <cmanfies.h> (reentrant programs
only)
#include <netinet/in.h>
int setsourcefilter(int s, uint32_t interface,
struct sockaddr *group, socklen_t grouplen,
uint32_t fmode, uint32_t numsrc,
struct sockaddr_storage *slist);
```

setsourcefilter() call parameters

s

The socket descriptor.

interface

The interface index of the interface.

group

A pointer to either a *sockaddr_in* structure for IPv4 addresses or a *sockaddr_in6* structure for IPv6 addresses. The pointer holds the IP multicast address of the group.

grouplen

The length of the *sockaddr_in* or *sockaddr_in6* structure.

fmode

An integer that contains the filter mode to be set. The value of the filter mode can be either MCAST_INCLUDE or MCAST_EXCLUDE.

numsrc

An integer that specifies the number of source addresses that are provided in the array that is pointed to by the *slist* parameter.

slist

A pointer to an array of IP addresses that is either included or excluded, depending on the filter mode. If the *numsrc* value 0 was specified on input, you can specify a NULL pointer.

setsourcefilter() call return values

When successful, the value 0 is returned. When an error occurs, the value -1 is returned and the *errno* value is one of the following:

EBADF

The *s* parameter value is not a valid socket descriptor.

EAFNOSUPPORT

The address family of the input *sockaddr* value is not AF_INET or AF_INET6.

EINVAL

The socket address family of an input parameter is not correct, the specified *fmode* value is not correct, or the socket specified by the *s* parameter already requested multicast *setsockopt*

options. See [z/OS Communications Server: IP Sockets Application Programming Interface Guide and Reference](#) for more information.

ENOBUFS

The number of source addresses exceeds the allowed limit.

EPROTOTYPE

The socket protocol type is not correct.

ENOMEM

Insufficient storage is available to supply the array.

ENXIO

The specified interface index provided in the *interface* parameter does not exist.

shutdown() call

The `shutdown()` call shuts down all or part of a duplex connection.

shutdown() call format

This call has the following format:

```
#include <manifest.h> (non-reentrant programs only)
#include <cmanifes.h> (reentrant programs only)
#include <socket.h>

int shutdown(int s, int how)
```

shutdown() call parameters

s

The socket descriptor.

how

The *how* parameter can have a value of 0, 1, or 2, where:

- 0 ends communication from socket *s*.
- 1 ends communication to socket *s*.
- 2 ends communication both to and from socket *s*.

shutdown() call return values

The value 0 indicates success; the value -1 indicates an error. To determine which error occurred, check the *errno* global variable, which is set to a return code. Possible codes include:

EBADF

s is not a valid socket descriptor.

EINVAL

The *how* parameter was not set to one of the valid values. Valid values are 0, 1, and 2.

socket() call

The `socket()` call creates an endpoint for communication and returns a socket descriptor representing the endpoint. Different types of sockets provide different communication services.

SOCK_STREAM sockets model duplex byte streams. They provide reliable, flow-controlled connections between peer applications. Stream sockets are either active or passive. Active sockets are used by clients that initiate connection requests with `connect()`. By default, `socket()` creates active sockets. Passive sockets are used by servers to accept connection requests with the `connect()` call. An active socket is transformed into a passive socket by binding a name to the socket with the `bind()` call and by indicating

a willingness to accept connections with the `listen()` call. After a socket is passive, it cannot be used to initiate connection requests.

`SOCK_DGRAM` supports datagrams (connectionless messages) of a fixed maximum length. Transmission reliability is not guaranteed. Datagrams can be corrupted, received out of order, lost, or delivered multiple times.

Sockets are deallocated with the `close()` call.

socket() call format

This call has the following format:

```
#include <manifest.h> (non-reentrant programs only)
#include <cmanifes.h> (reentrant programs only)
#include <bsdtypes.h>
#include <socket.h>

int socket(int domain, int type, int protocol)
```

socket() call parameters

domain

The *domain* parameter specifies a communication domain within which communication is to take place. This parameter selects the address family (format of addresses within a domain) that is used. The only families supported by CICS TCP/IP are `AF_INET` and `AF_INET6`, which are both the Internet domain. The `AF_INET` and `AF_INET6` constant is defined in the `socket.h` header file.

type

The *type* parameter specifies the type of socket created. These socket type constants are defined in the `socket.h` header file.

This must be set to either `SOCK_STREAM` or `SOCK_DGRAM`.

protocol

The *protocol* parameter specifies a particular protocol to be used with the socket. In most cases, a single protocol exists to support a particular type of socket in a particular addressing family. If the *protocol* parameter is set to 0, the system selects the default protocol number for the domain and socket type requested. Protocol numbers are found in the *hlq.ETC.PROTO* data set. The default *protocol* for stream sockets is TCP. The default *protocol* for datagram sockets is UDP.

socket() call return values

A nonnegative socket descriptor indicates success. The value -1 indicates an error. To determine which error occurred, check the *errno* global variable, which is set to a return code. Possible codes include:

EPROTONOSUPPORT

The *protocol* is not supported in this *domain*, or this *protocol* is not supported for this socket *type*.

takesocket() call

The `takesocket()` call acquires a socket from another program. The CICS listener passes the client ID and socket descriptor in the `COMMAREA`.

takesocket() call format

This call has the following format:

```
#include <manifest.h> (non-reentrant programs only)
#include <cmanifes.h> (reentrant programs only)
#include <bsdtypes.h>
#include <socket.h>
```



```
int takesocket(struct clientid *client_id,
int hisdesc)
```

takesocket() call parameters

clientid

A pointer to the clientid of the application from which you are taking a socket.

domain

Sets the domain of the program giving the socket. Set as either AF_INET (a decimal 2) or AF_INET6 (a decimal 19).

Rule: An AF_INET socket can be taken only from an AF_INET givesocket(). An AF_INET6 socket can be taken only from an AF_INET6 givesocket(). EBADF is set if the domain does not match.

name

Set to the address space identifier of the program that gave the socket.

subtaskname

Set to the task identifier of the task that gave the socket.

reserved

Binary zeros.

hisdesc

The descriptor of the socket to be taken.

takesocket() call return values

A nonnegative socket descriptor is the descriptor of the socket to be used by this process. The value -1 indicates an error. To determine which error occurred, check the *errno* global variable, which is set to a return code. Possible codes include:

EACCES

The other application did not give the socket to your application.

EBADF

The *hisdesc* parameter does not specify a valid socket descriptor owned by the other application. The socket has already been taken.

EFAULT

Using the *clientid* parameter as specified results in an attempt to access storage outside the caller's address space.

EINVAL

The *clientid* parameter does not specify a valid client identifier.

EMFILE

The socket descriptor table is already full.

ENOBUFS

The operation cannot be performed because of the shortage of SCB or SKCB control blocks in the TCP/IP address space.

EPFNOSUPPORT

The domain field of the *clientid* parameter is not AF_INET or AF_INET6.

write() call

This call writes data on a connected socket.

Stream sockets act like streams of information with no boundaries separating data. For example, if an application wishes to send 1000 bytes, each call to this function can send 1 byte or 10 bytes or the entire 1000 bytes. Therefore, applications using stream sockets should place this call in a loop, calling this function until all data has been sent.

write() call format

This call has the following format:

```
#include <manifest.h> (non-reentrant programs only)
#include <cmanifes.h> (reentrant programs only)
#include <socket.h>

int write(int s, char *buf, int len)
```

write() call parameters

s

The socket descriptor.

buf

The pointer to the buffer holding the data to be written.

len

The length in bytes of the buffer pointed to by the *buf* parameter.

write() call return values

If successful, the number of bytes written is returned. The value -1 indicates an error. To determine which error occurred, check the *errno* global variable, which is set to a return code. Possible codes include:

EBADF

s is not a valid socket descriptor.

EFAULT

Using the *buf* and *len* parameters results in an attempt to access storage outside the caller's address space.

ENOBUFS

Buffer space is not available to send the message.

EWOULDBLOCK

s is in nonblocking mode and data is not available to write.

Address Testing Macros

This topic describes the macros that can be used to test for special IPv6 addresses.

```
#include <netinet/in.h>

int IN6_IS_ADDR_UNSPECIFIED (const struct in6_addr *)
int IN6_IS_ADDR_LOOPBACK (const struct in6_addr *)
int IN6_IS_ADDR_MULTICAST (const struct in6_addr *)
int IN6_IS_ADDR_LINKLOCAL (const struct in6_addr *)
int IN6_IS_ADDR_SITELOCAL (const struct in6_addr *)
int IN6_IS_ADDR_V4MAPPED (const struct in6_addr *)
int IN6_IS_ADDR_V4COMPAT (const struct in6_addr *)
int IN6_IS_ADDR_MC_NODELOCAL (const struct in6_addr *)
int IN6_IS_ADDR_MC_LINKLOCAL (const struct in6_addr *)
int IN6_IS_ADDR_MC_SITELOCAL (const struct in6_addr *)
int IN6_IS_ADDR_MC_ORGLOCAL (const struct in6_addr *)
int IN6_IS_ADDR_MC_GLOBAL (const struct in6_addr *)
```

IN6_IS_ADDR_UNSPECIFIED

Returns true if the address is the unspecified IPv6 address (in6addr_any). Otherwise, the macro returns false.

IN6_IS_ADDR_LOOPBACK

Returns true if the address is an IPv6 loopback address. Otherwise, the macro returns false.

IN6_IS_ADDR_MULTICAST

Returns true if the address is an IPv6 multicast address. Otherwise, the macro returns false.

IN6_IS_ADDR_LINKLOCAL

Returns true if the address is an IPv6 link local address. Otherwise, the macro returns false.

Returns true for local-use IPv6 unicast addresses.

Returns false for the IPv6 loopback address.

Does not return true for IPv6 multicast addresses of link-local scope.

IN6_IS_ADDR_SITELOCAL

Returns true if the address is an IPv6 site local address. Otherwise, the macro returns false.

Returns true for local-use IPv6 unicast addresses.

Does not return true for IPv6 multicast addresses of site-local scope.

IN6_IS_ADDR_V4MAPPED

Returns true if the address is an IPv4 mapped IPv6 address. Otherwise, the macro returns false.

IN6_IS_ADDR_V4COMPAT

Returns true if the address is an IPv4 compatible IPv6 address. Otherwise, the macro returns false.

IN6_IS_ADDR_MC_NODELOCAL

Used to test the scope of a multicast address and returns true if the address is a multicast address of the specified scope or false if the address is not a multicast address or not of the specified scope.

IN6_IS_ADDR_MC_LINKLOCAL

Used to test the scope of a multicast address and returns true if the address is a multicast address of the specified scope or false if the address is either not a multicast address or not of the specified scope.

IN6_IS_ADDR_MC_SITELOCAL

Used to test the scope of a multicast address and returns true if the address is a multicast address of the specified scope or false if the address is either not a multicast address or not of the specified scope.

IN6_IS_ADDR_MC_ORGLOCAL

Used to test the scope of a multicast address and returns true if the address is a multicast address of the specified scope or false if the address is either not a multicast address or not of the specified scope.

IN6_IS_ADDR_MC_GLOBAL

Used to test the scope of a multicast address and returns true if the address is a multicast address of the specified scope or false if the address is either not a multicast address or not of the specified scope.

Chapter 8. Sockets extended API

This topic contains information about the sockets extended application programming interface (API).

Environmental restrictions and programming requirements for the Callable Socket API

The following environmental restrictions and programming requirements apply to the Callable Socket API:

- SRB mode

This API can be invoked only in TCB mode (task mode).

- Cross-memory mode

This API can be invoked only in a non-cross-memory environment (PASN=SASN=HASN).

- Functional Recovery Routine (FRR)

Do not invoke this API with an FRR set. This causes system recovery routines to be bypassed and severely damage the system.

- Locks

No locks should be held when issuing this call.

- INITAPI, INITAPIX, and TERMAPI calls

The INITAPI, INITAPIX, and TERMAPI calls must be issued under the same task.

- Storage

Storage acquired for the purpose of containing data returned from a socket call must be obtained in the same key as the application program status word (PSW) at the time of the socket call.

- Nested socket API calls

You cannot issue "nested" API calls within the same task. That is, if a request block (RB) issues a socket API call and is interrupted by an interrupt request block (IRB) in an STIMER exit, any additional socket API calls that the IRB attempts to issue are detected and flagged as an error.

CALL instruction API

This topic describes the CALL instruction API for TCP/IP application programs written in the COBOL, PL/I, or System/370 Assembler language. The format and parameters are described for each socket call.

Notes:

- Unless your program is running in a CICS environment, reentrant code and multithread applications are not supported by this interface.
- Only one copy of an interface can exist in a single address space.
- For a PL/I program, include the following statement before your first call instruction.

```
DCL EZASOKET ENTRY OPTIONS(ASM,INTER) EXT;
```

- The entry point for the CICS Sockets Extended module (EZASOKET) is within the *hlq*.SEZATCP(EZACICAL) load module and should be resolved from there when processed by the binder. Therefore, EZACICAL should be included explicitly in your link-editing JCL. If not included, you could experience problems, such as the CICS region waiting for the socket calls to complete. You can use the linkage editor MAP parameter to produce the module map report to verify where EZASOKET is resolved.

See [Figure 177 on page 349](#).

In a CICS program, this call to EZASOKET cannot be a dynamic call, but must be a static call. For COBOL programs, this requires coding the program name as a literal on the CALL statement. Using a working-storage variable to pass the EZASOKET program name will cause a dynamic call to be made, which then causes unpredictable results.

If you do not want to explicitly include EZACICAL in your link-edit JCL then you can use the EZACICSO CICS Sockets Extended module. The EZACICSO CICS Sockets Extended module is an ALIAS for EZASOKET that resides in the same entry point in EZACICAL as EZASOKET. You must also substitute any "CALL EZASOKET" invocations in your program with "CALL EZACICSO". This allows you to use the Binder's Automatic Library Call option (AUTOCALL) to build your load modules.

SEZATCP load library data set needs to be included in the SYSLIB DD concatenation.

Understanding COBOL, assembler, and PL/I call formats

This API is invoked by calling the EZASOKET or EZACICSO program and performs the same functions as the C language calls. The parameters look different because of the differences in the programming languages.

COBOL language call format

The following is the 'EZASOKET' call format for COBOL language programs.

```
CALL 'EZASOKET' USING SOC-FUNCTION parm1, parm2, ... ERRNO RETCODE.
```

The following is the 'EZACICSO' call format for the COBOL language programs.

```
CALL 'EZACICSO' USING SOC-FUNCTION parm1, parm2, ... ERRNO RETCODE.
```

SOC-FUNCTION

A 16-byte character field, left-aligned and padded on the right with blanks. Set to the name of the call. SOC-FUNCTION is case-specific. It must be in uppercase.

parm*n*

A variable number of parameters depending on the type of call.

ERRNO

If RETCODE is negative, there is an error number in ERRNO. This field is used in most, but not all, of the calls. It corresponds to the value returned by the `tcperror()` function in C.

RETCODE

A fullword binary variable containing a code returned by the EZASOKET call. This value corresponds to the normal return value of a C function.

Assembler language call format

The following is the 'EZASOKET' call format for assembler language programs. Because DATAREG is used to access the application's working storage, applications using the assembler language format should not code DATAREG but should let it default to the CICS data register.

```
▶▶ CALL EZASOKET,(SOC-FUNCTION,      — parm1, parm2, ...   →  
  
    ▶— ERRNO RETCODE),VL,MF=(E, PARMLIST)    ▶◀
```

The following is the 'EZACICSO' call format for assembler language programs.

```
▶▶ CALL EZACICSO,(SOC-FUNCTION,      — parm1, parm2, ...   →  
  
    ▶— ERRNO RETCODE),VL,MF=(E, PARMLIST)    ▶◀
```

PARMLIST

A remote parameter list defined in dynamic storage DFHEISTG. This list contains addresses of 30 parameters that can be referenced by all execute forms of the CALL.

Note: This form of CALL is necessary to meet the CICS requirement for quasi-reentrant programming.

SOC-FUNCTION

A 16-byte character field, left-aligned and padded on the right with blanks. Set to the name of the call. SOC-FUNCTION is case-specific. It must be in uppercase.

parm n

A variable number of parameters depending on the type call.

ERRNO

If RETCODE is negative, there is an error number in ERRNO. This field is used in most, but not all, of the calls. It corresponds to the value returned by the `tcperror()` function in C.

RETCODE

A fullword binary variable containing a code returned by the EZASOKET call. This value corresponds to the normal return value of a C function.

PL/I language call format

The following is the 'EZASOKET' call format for PL/I language programs.

```
➤ CALL EZASOKET (SOC-FUNCTION — parm1, parm2, ... — ERRNO RETCODE); ➤
```

The following is the 'EZACICSO' call format for the PL/I language programs.

```
➤ CALL EZACICSO (SOC-FUNCTION — parm1, parm2, ... — ERRNO RETCODE); ➤
```

SOC-FUNCTION

A 16-byte character field, left-aligned and padded on the right with blanks. Set to the name of the call.

parm n

A variable number of parameters depending on the type call.

ERRNO

If RETCODE is negative, there is an error number in ERRNO. This field is used in most, but not all, of the calls. It corresponds to the value returned by the `tcperror()` function in C.

RETCODE

A fullword binary variable containing a code returned by the EZASOKET call. This value corresponds to the normal return value of a C function.

Converting parameter descriptions

The parameter descriptions in this topic are written using the VS COBOL II PIC language syntax and conventions, but you should use the syntax and conventions that are appropriate for the language you want to use.

[Figure 117 on page 206](#) shows examples of storage definition statements for COBOL, PL/I, and assembler language programs.

```

VS COBOL II PIC

PIC S9(4) BINARY          HALFWORD BINARY VALUE
PIC S9(8) BINARY          FULLWORD BINARY VALUE
PIC X(n)                  CHARACTER FIELD OF N BYTES

COBOL PIC

PIC S9(4) COMP            HALFWORD BINARY VALUE
PIC S9(8) COMP            FULLWORD BINARY VALUE
PIC X(n)                  CHARACTER FIELD OF N BYTES

PL/1 DECLARE STATEMENT

DCL HALF      FIXED BIN(15),  HALFWORD BINARY VALUE
DCL FULL      FIXED BIN(31),  FULLWORD BINARY VALUE
DCL CHARACTER CHAR(n)        CHARACTER FIELD OF n BYTES

ASSEMBLER DECLARATION

DS H          HALFWORD BINARY VALUE
DS F          FULLWORD BINARY VALUE
DS CLn        CHARACTER FIELD OF n BYTES

```

Figure 117. Storage definition statement examples

Error messages and return codes

For information about error messages, see *z/OS Communications Server: IP Messages Volume 1 (EZA)*.

For information about error codes that are returned by TCP/IP, see [Appendix B, “Return codes,”](#) on page 381.

Code CALL instructions

This topic contains the description, syntax, parameters, and other related information for each call instruction included in this API.

ACCEPT call

A server issues the ACCEPT call to accept a connection request from a client. The call points to a socket that was previously created with a SOCKET call and marked by a LISTEN call.

The ACCEPT call is a blocking call. When issued, the ACCEPT call:

1. Accepts the first connection on a queue of pending connections.
2. Creates a new socket with the same properties as *s*, and returns its descriptor in RETCODE. The original sockets remain available to the calling program to accept more connection requests.
3. The address of the client is returned in NAME for use by subsequent server calls.

Note:

- The blocking or nonblocking mode of a socket affects the operation of certain commands. The default is blocking; nonblocking mode can be established by use of the FCNTL and IOCTL calls. When a socket is in blocking mode, an I/O call waits for the completion of certain events. For example, a READ call blocks until the buffer contains input data. When an I/O call is issued: if the socket is blocking, program processing is suspended until the event completes; if the socket is nonblocking, program processing continues.
- If the queue has no pending connection requests, ACCEPT blocks the socket unless the socket is in nonblocking mode. The socket can be set to nonblocking by calling FCNTL or IOCTL.
- When multiple socket calls are issued, a SELECT call can be issued prior to the ACCEPT to ensure that a connection request is pending. Using this technique ensures that subsequent ACCEPT calls do not block.

- TCP/IP does not provide a function for screening clients. As a result, it is up to the application program to control which connection requests it accepts, but it can close a connection immediately after discovering the identity of the client.

The following requirements apply to this call:

Requirement	Description
Authorization:	Supervisor state or problem state, any PSW key
Dispatchable unit mode:	Task
Cross memory mode:	PASN = HASN
Amode:	31-bit or 24-bit
ASC mode:	Primary address space control (ASC) mode
Interrupt status:	Enabled for interrupts
Locks:	Unlocked
Control parameters:	All parameters must be addressable by the caller and in the primary address space

Figure 118 on page 207 shows an example of ACCEPT call instructions.

```

WORKING-STORAGE SECTION.

    01 SOC-FUNCTION    PIC X(16) VALUE IS 'ACCEPT'.
    01 S              PIC 9(4) BINARY.
*
* IPv4 Socket Address Structure.
*
    01 NAME.
        03 FAMILY      PIC 9(4) BINARY.
        03 PORT        PIC 9(4) BINARY.
        03 IP-ADDRESS  PIC 9(8) BINARY.
        03 RESERVED   PIC X(8).

*
* IPv6 Socket Address Structure.
*
    01 NAME.
        03 FAMILY      PIC 9(4) BINARY.
        03 PORT        PIC 9(4) BINARY.
        03 FLOW-INFO   PIC 9(8) BINARY.
        03 IP-ADDRESS.
            05 FILLER   PIC 9(16) BINARY.
            05 FILLER   PIC 9(16) BINARY.
        03 SCOPE-ID    PIC 9(8) BINARY.
    01 ERRNO          PIC 9(8) BINARY.
    01 RETCODE        PIC S9(8) BINARY.

PROCEDURE DIVISION.
    CALL 'EZASOKET' USING SOC-FUNCTION S NAME ERRNO RETCODE.

```

Figure 118. ACCEPT call instructions example

For equivalent PL/I and assembler language declarations, see [“Converting parameter descriptions”](#) on page 205.

Parameter values set by the application for the ACCEPT call

SOC-FUNCTION

A 16-byte character field containing 'ACCEPT'. Left-justify the field and pad it on the right with blanks.

S

A halfword binary number specifying the descriptor of a socket that was previously created with a SOCKET call. In a concurrent server, this is the socket upon which the server listens.

Parameter values returned to the application for the ACCEPT call

NAME

- An IPv4 socket address structure that contains the client's IPv4 socket address.

FAMILY

A halfword binary field specifying the addressing family. The call returns the decimal value of 2 for AF_INET.

PORT

A halfword binary field that is set to the client's port number.

IP-ADDRESS

A fullword binary field that is set to the 32-bit IPv4 Internet address, in network byte order, of the client's host machine.

RESERVED

Specifies 8 bytes of binary zeros. This field is required, but not used.

- An IPv6 socket address structure that contains the client's IPv6 socket address.

FAMILY

A halfword binary field specifying the addressing family. The call returns the decimal value of 19 for AF_INET6.

PORT

A halfword binary field that is set to the client's port number.

FLOW-INFO

A fullword binary field specifying the traffic class and flow label. The value of this field is undefined.

IP-ADDRESS

A 16-byte binary field that is set to the 128-bit IPv6 Internet address, in network byte order, of the client's host machine.

SCOPE-ID

A fullword binary field which identifies a set of interfaces as appropriate for the scope of the address carried in the IP-ADDRESS field. For a link scope IP-ADDRESS, SCOPE-ID contains the link index for the IP-ADDRESS. For all other address scopes, SCOPE-ID is undefined.

ERRNO

A fullword binary field. If RETCODE is negative, the field contains an error number. See [Appendix B, "Return codes,"](#) on page 381 for information about ERRNO return codes.

RETCODE

If the RETCODE value is positive, the RETCODE value is the new socket number.

If the RETCODE value is negative, check the ERRNO field for an error number.

BIND call

In a typical server program, the BIND call follows a SOCKET call and completes the process of creating a new socket.

The BIND call can either specify the required port or let the system choose the port. A listener program should always bind to the same well-known port, so that clients know what socket address to use when attempting to connect.

Even if an application specifies a value of 0 for the IP address on the BIND, the system administrator can override that value by specifying the BIND parameter on the PORT reservation statement in the TCP/IP profile. This has a similar effect to the application specifying an explicit IP address on the BIND macro. For more information, see [z/OS Communications Server: IP Configuration Reference](#).

In the AF_INET or AF_INET6 domain, the BIND call for a stream socket can specify the networks from which it is willing to accept connection requests. The application can fully specify the network interface by

setting the IP-ADDRESS field to the Internet address of a network interface. Alternatively, the application can use a *wildcard* to specify that it wants to receive connection requests from any network interface. This is done by setting the IP-ADDRESS field to the value of INADDR-ANY or IN6ADDR-ANY.

The following requirements apply to this call:

Requirement	Description
Authorization:	Supervisor state or problem state, any PSW key
Dispatchable unit mode:	Task
Cross memory mode:	PASN = HASN
Amode:	31-bit or 24-bit
ASC mode:	Primary address space control (ASC) mode
Interrupt status:	Enabled for interrupts
Locks:	Unlocked
Control parameters:	All parameters must be addressable by the caller and in the primary address space

Figure 119 on page 209 shows an example of BIND call instructions.

```

WORKING-STORAGE SECTION.
  01 SOC-FUNCTION PIC X(16) VALUE IS 'BIND'.
  01 S PIC 9(4) BINARY.
*
* IPv4 Socket Address Structure.
*
  01 NAME.
    03 FAMILY PIC 9(4) BINARY.
    03 PORT PIC 9(4) BINARY.
    03 IP-ADDRESS PIC 9(8) BINARY.
    03 RESERVED PIC X(8).
*
* IPv6 Socket Address Structure.
*
  01 NAME.
    03 FAMILY PIC 9(4) BINARY.
    03 PORT PIC 9(4) BINARY.
    03 FLOW-INFO PIC 9(8) BINARY.
    03 IP-ADDRESS.
      05 FILLER PIC 9(16) BINARY.
      05 FILLER PIC 9(16) BINARY.
    03 SCOPE-ID PIC 9(8) BINARY.

  01 ERRNO PIC 9(8) BINARY.
  01 RETCODE PIC S9(8) BINARY.

PROCEDURE DIVISION.
  CALL 'EZASOKET' USING SOC-FUNCTION S NAME ERRNO RETCODE.

```

Figure 119. BIND call instruction example

For equivalent PL/I and assembler language declarations, see [“Converting parameter descriptions” on page 205](#).

Parameter values set by the application for the BIND call

SOC-FUNCTION

A 16-byte character field containing BIND. The field is left-aligned and padded to the right with blanks.

S

A halfword binary number specifying the socket descriptor for the socket to be bound.

NAME

- Specifies the IPv4 socket address structure for the socket that is to be bound.

FAMILY

A halfword binary field specifying the addressing family. The value is set to a decimal 2, indicating AF_INET.

PORT

A halfword binary field that is set to the port number to which you want the socket to be bound.

Note: If PORT is set to 0 when the call is issued, the system assigns the port number for the socket. The application can call the GETSOCKNAME call after the BIND call to discover the assigned port number.

IP-ADDRESS

A fullword binary field that is set to the 32-bit Internet address (network byte order) of the socket to be bound.

RESERVED

Specifies an eight-byte character field that is required but not used.

- Specifies the IPv6 socket address structure for the socket that is to be bound.

FAMILY

A halfword binary field specifying the addressing family. The value is set to a decimal 19, indicating AF_INET6.

PORT

A halfword binary field that is set to the port number to which you want the socket to be bound.

Note: If PORT is set to 0 when the call is issued, the system assigns the port number for the socket. The application can call the GETSOCKNAME call after the BIND call to discover the assigned port number.

FLOW-INFO

A fullword binary field specifying the traffic class and flow label. This field must be set to zero.

IP-ADDRESS

A 16-byte binary field that is set to the 128-bit IPv6 Internet address (network byte order) of the socket to be bound.

SCOPE-ID

A fullword binary field which identifies a set of interfaces as appropriate for the scope of the address carried in the IP-ADDRESS field. A value of zero indicates the SCOPE-ID field does not identify the set of interfaces to be used, and can be specified for any address types and scopes. For a link scope IP-ADDRESS, SCOPE-ID can specify a link index which identifies a set of interfaces. For all other address scopes, SCOPE-ID must be set to zero.

Parameter values returned to the application for the BIND call

ERRNO

A fullword binary field. If RETCODE is negative, this field contains an error number. See [Appendix B, "Return codes," on page 381](#), for information about ERRNO return codes.

RETCODE

A fullword binary field that returns one of the following:

Value

Description

0

Successful call

-1

Check ERRNO for an error code

BIND2ADDRSEL call

The BIND2ADDRSEL call binds a socket to the local IP address that would be selected by the stack to communicate with the input destination IP address.

Use the BIND2ADDRSEL call when the application must verify that the local IP address assigned by the stack meets its address selection criteria as specified by the IPV6_ADDR_PREFERENCES socket option before the stack sends any packets to the remote host. In a TCP or UDP application, the BIND2ADDRSEL call usually follows the SETSOCKOPT call with option IPV6_ADDR_PREFERENCES and precedes any communication with a remote host.

Result: The stack attempts to select a local IP address according to your application preferences. However, a successful BIND2ADDRSEL call does not guarantee that all of your source IP address selection preferences were met.

Guidelines:

- Use the SETSOCKOPT call to set the IPV6_ADDR_PREFERENCES option to indicate your selection preferences of source IP address before binding the socket and before allowing an implicit bind of the socket to occur.

Result: If a socket has not been explicitly bound to a local IP address with a BIND or BIND2ADDRSEL call when a CONNECT, SENDTO, or SENDMSG call is issued, an implicit bind occurs. The stack chooses the local IP address used for outbound packets.

Requirement: When your application is using stream sockets, and must prevent the stack from sending any packets whatsoever (such as SYN) to the remote host before it can verify that the local IP address meets the values specified for the IPV6_ADDR_PREFERENCES option, do not allow the CONNECT call to implicitly bind the socket to a local IP address. Instead, bind the socket with the BIND2ADDRSEL call and test the local IP address assigned with the INET6_IS_SRCADDR call. If the assigned local IP address is satisfactory, you can then use the CONNECT call to establish communication with the remote host.

- After you successfully issue the BIND2ADDRSEL call, use the GETSOCKNAME call to obtain the local IP address that is bound to the socket. When the local IP address is obtained, use the INET6_IS_SRCADDR call to verify that the local IP address meets your address selection criteria.

The following requirements apply to this call:

Requirement	Description
Authorization:	Supervisor state or problem state, any PSW key
Dispatchable unit mode:	Task
Cross memory mode:	PASN = HASN
Amode:	31-bit or 24-bit
ASC mode:	Primary address space control (ASC) mode
Interrupt status:	Enabled for interrupts
Locks:	Unlocked
Control parameters:	All parameters must be addressable by the caller and in the primary address space

Figure 120 on page 212 shows an example of BIND2ADDRSEL call instructions.

```

WORKING-STORAGE SECTION.
    01 SOC-FUNCTION      PIC X(16)  VALUE IS 'BIND2ADDRSEL'.
    01 S                 PIC 9(4)  BINARY.
    *IPv6 socket address structure.
    01 NAME.
        03 FAMILY       PIC 9(4)  BINARY.
        03 PORT         PIC 9(4)  BINARY.
        03 FLOWINFO     PIC 9(8)  BINARY.
        03 IP-ADDRESS.
            10 FILLER    PIC 9(16) BINARY.
            10 FILLER    PIC 9(16) BINARY.
        03 SCOPE-ID     PIC 9(8)  BINARY.
    01 ERRNO            PIC 9(8)  BINARY.
    01 RETCODE          PIC S9(8) BINARY.

PROCEDURE DIVISION.
    CALL 'EZASOKET' USING SOC-FUNCTION S NAME ERRNO RETCODE.

```

Figure 120. BIND2ADDRSEL call instructions example

For equivalent PL/I and assembler language declarations, see [“Converting parameter descriptions”](#) on page 205.

Parameter values set by the application

SOC-FUNCTION

A 16-byte character field containing BIND2ADDRSEL. The field is left-justified and padded to the right with blanks.

S

A halfword binary number specifying the socket descriptor for the socket to be bound.

Requirement: The socket must be an AF_INET6 socket. The type can be SOCK_STREAM or SOCK_DGRAM.

NAME

Specifies the IPv6 socket address structure of the remote host that the socket will communicate with.

The IPv6 socket structure must specify the following fields:

Field

Description

FAMILY

A halfword binary field specifying the IPv6 addressing family. This must be set to decimal 19, indicating AF_INET6.

PORT

A halfword binary field. This field is ignored by BIND2ADDRSEL processing.

Guideline: To determine the assigned port number, issue the GETSOCKNAME call after the BIND2ADDRSEL call completes.

FLOWINFO

A fullword binary field. This field is ignored by BIND2ADDRSEL processing.

IP-ADDRESS

A 16-byte binary field that is set to the 128-bit IPv6 Internet address (network byte order) of the remote host that the socket will communicate with.

Rule: Specify an IPv4 address by using its IPv4-mapped IPv6 format.

SCOPE-ID

A fullword binary field that identifies a set of interfaces as being appropriate for the scope of the address specified in the IPv6-ADDRESS field. The value 0 indicates that the SCOPE-ID field does not identify the set of interfaces to be used.

Requirements: The SCOPE-ID value must be nonzero if the address is a link-local address. For all other address scopes, the SCOPE-ID value must be set to 0.

Parameter values returned to the application

ERRNO

A fullword binary field. If RETCODE is negative, this field contains an error number. See [Appendix B, “Return codes,”](#) on page 381 for information about ERRNO return codes.

RETCODE

A fullword binary field that returns one of the following values:

Value

Description

0

Successful call.

-1

Check ERRNO for an error code.

CLOSE call

The CLOSE call performs the following functions:

- The CLOSE call shuts down a socket and frees all resources allocated to it. If the socket refers to an open TCP connection, the connection is closed.
- The CLOSE call is also issued by a concurrent server after it gives a socket to a child server program. After issuing the GIVESOCKET and receiving notification that the client child has successfully issued a TAKESOCKET, the concurrent server issues the close command to complete the passing of ownership. In high-performance, transaction-based systems the timeout associated with the CLOSE call can cause performance problems. In such systems you should consider the use of a SHUTDOWN call before you issue the CLOSE call. See [“SHUTDOWN call”](#) on page 325 for more information.

Note:

1. If a stream socket is closed while input or output data is queued, the TCP connection is reset and data transmission might be incomplete. The SETSOCKET call can be used to set a linger condition, in which TCP/IP continues to attempt to complete data transmission for a specified period of time after the CLOSE call is issued. See SO-LINGER in the description of [“SETSOCKOPT call”](#) on page 309.
2. A concurrent server differs from an iterative server. An iterative server provides services for one client at a time; a concurrent server receives connection requests from multiple clients and creates child servers that actually serve the clients. When a child server is created, the concurrent server obtains a new socket, passes the new socket to the child server, and then dissociates itself from the connection. The CICS listener is an example of a concurrent server.
3. After an unsuccessful socket call, a close should be issued and a new socket should be opened. An attempt to use the same socket with another call results in a nonzero return code.

The following requirements apply to this call:

Requirement	Description
Authorization:	Supervisor state or problem state, any PSW key
Dispatchable unit mode:	Task
Cross memory mode:	PASN = HASN
Amode:	31-bit or 24-bit
ASC mode:	Primary address space control (ASC) mode
Interrupt status:	Enabled for interrupts
Locks:	Unlocked
Control parameters:	All parameters must be addressable by the caller and in the primary address space

Figure 121 on page 214 shows an example of CLOSE call instructions.

```
WORKING-STORAGE SECTION.  
  01 SOC-FUNCTION PIC X(16) VALUE IS 'CLOSE'.  
  01 S PIC 9(4) BINARY.  
  01 ERRNO PIC 9(8) BINARY.  
  01 RETCODE PIC S9(8) BINARY.  
  
PROCEDURE DIVISION.  
  CALL 'EZASOKET' USING SOC-FUNCTION S ERRNO RETCODE.
```

Figure 121. CLOSE call instruction example

For equivalent PL/I and assembler language declarations, see [“Converting parameter descriptions” on page 205](#).

Parameter values returned to the application for the CLOSE call

SOC-FUNCTION

A 16-byte field containing CLOSE. Left-justify the field and pad it on the right with blanks.

S

A halfword binary field containing the descriptor of the socket to be closed.

Parameter values set by the application for the CLOSE call

ERRNO

A fullword binary field. If RETCODE is negative, this field contains an error number. See [Appendix B, “Return codes,” on page 381](#) for information about ERRNO return codes.

RETCODE

A fullword binary field that returns one of the following:

Value

Description

0

Successful call

-1

Check ERRNO for an error code

CONNECT call

The CONNECT call is issued by a client to establish a connection between a local socket and a remote socket.

The call sequence issued by the client and server for stream sockets is:

1. The server issues BIND and LISTEN to create a passive open socket.
2. The client issues CONNECT to request the connection.
3. The server accepts the connection on the passive open socket, creating a new connected socket.

The blocking mode of the CONNECT call conditions its operation.

- If the socket is in blocking mode, the CONNECT call blocks the calling program until the connection is established, or until an error is received.
- If the socket is in nonblocking mode, the return code indicates whether the connection request was successful.
 - A RETCODE of 0 indicates that the connection was completed.
 - A nonzero RETCODE with an ERRNO of 36 (EINPROGRESS) indicates that the connection is not completed but because the socket is nonblocking, the CONNECT call returns normally.

The caller must test the completion of the connection setup by calling SELECT and testing for the ability to write to the socket.

The completion cannot be checked by issuing a second CONNECT. For more information, see [“SELECT call” on page 291](#).

The following requirements apply to this call:

Requirement	Description
Authorization:	Supervisor state or problem state, any PSW key
Dispatchable unit mode:	Task
Cross memory mode:	PASN = HASN
Amode:	31-bit or 24-bit
ASC mode:	Primary address space control (ASC) mode
Interrupt status:	Enabled for interrupts
Locks:	Unlocked
Control parameters:	All parameters must be addressable by the caller and in the primary address space

Figure 122 on page 215 shows an example of CONNECT call instructions.

```

WORKING-STORAGE SECTION.
  01 SOC-FUNCTION PIC X(16) VALUE IS 'CONNECT'.
  01 S PIC 9(4) BINARY.
*
* IPv4 Socket Address Structure.
*
  01 NAME.
    03 FAMILY PIC 9(4) BINARY.
    03 PORT PIC 9(4) BINARY.
    03 IP-ADDRESS PIC 9(8) BINARY.
    03 RESERVED PIC X(8).
*
* IPv6 Socket Address Structure.
*
  01 NAME.
    03 FAMILY PIC 9(4) BINARY.
    03 PORT PIC 9(4) BINARY.
    03 FLOW-INFO PIC 9(8) BINARY.
    03 IP-ADDRESS.
      05 FILLER PIC 9(16) BINARY.
      05 FILLER PIC 9(16) BINARY.
    03 SCOPE-ID PIC 9(8) BINARY.

  01 ERRNO PIC 9(8) BINARY.
  01 RETCODE PIC S9(8) BINARY.

PROCEDURE DIVISION.
  CALL 'EZASOKET' USING SOC-FUNCTION S NAME ERRNO RETCODE.

```

Figure 122. CONNECT call instruction example

For equivalent PL/I and assembler language declarations, see [“Converting parameter descriptions” on page 205](#).

Stream sockets and the CONNECT call

For stream sockets, the CONNECT call is issued by a client to establish connection with a server. The call performs two tasks:

1. It completes the binding process for a stream socket if a BIND call has not been previously issued.

2. It attempts to make a connection to a remote socket. This connection is necessary before data can be transferred.

UDP sockets and the CONNECT call

For UDP sockets, a CONNECT call does not need to precede an I/O call, but if issued, it allows you to send messages without specifying the destination.

Parameter values set by the application for the CONNECT call

SOC-FUNCTION

A 16-byte field containing CONNECT. Left-justify the field and pad it on the right with blanks.

S

A halfword binary number specifying the socket descriptor of the socket that is to be used to establish a connection.

NAME

- A structure that contains the IPv4 socket address of the target to which the local client socket is to be connected.

FAMILY

A halfword binary field specifying the addressing family. The value must be a decimal 2 for AF_INET.

PORT

A halfword binary field that is set to the server's port number in network byte order. For example, if the port number is 5000 in decimal, it is stored as X'1388' in hexadecimal.

IP-ADDRESS

A fullword binary field that is set to the 32-bit IPv4 Internet address of the server's host machine in network byte order. For example, if the Internet address is 129.4.5.12 in dotted decimal notation, it would be represented as '8104050C' in hexadecimal.

RESERVED

Specifies an 8-byte reserved field. This field is required, but is not used.

- A structure that contains the IPv6 socket address of the target to which the local client socket is to be connected.

FAMILY

A halfword binary field specifying the addressing family. The value must be a decimal 19 for AF_INET6.

PORT

A halfword binary field that is set to the server's port number in network byte order. For example, if the port number is 5000 in decimal, it is stored as X'1388' in hexadecimal.

FLOW-INFO

A fullword binary field specifying the traffic class and flow label. This field must be set to zero.

IP-ADDRESS

A 16-byte binary field that is set to the 128-bit IPv6 Internet address of the server's host machine in network byte order. For example, if the IPv6 Internet address is 12ab:0:0:cd30:123:4567:89ab:cedf in colon-hexadecimal notation, it is set to X'12AB00000000CD300123456789ABCDEF'.

SCOPE-ID

A fullword binary field which identifies a set of interfaces as appropriate for the scope of the address carried in the IP-ADDRESS field. A value of zero indicates the SCOPE-ID field does not identify the set of interfaces to be used, and can be specified for any address types and scopes. For a link scope IP-ADDRESS, SCOPE-ID can specify a link index which identifies a set of interfaces. For all other address scopes, SCOPE-ID must be set to zero.

Parameter values returned to the application for the CONNECT call

ERRNO

A fullword binary field. If RETCODE is negative, this field contains an error number. See [Appendix B, “Return codes,” on page 381](#) for information about ERRNO return codes.

RETCODE

A fullword binary field that returns one of the following:

Value

Description

0

Successful call

-1

Check ERRNO for an error code

FCNTL call

The blocking mode of a socket can either be queried or set to nonblocking using the FNDELAY flag described in the FCNTL call. You can query or set the FNDELAY flag even though it is not defined in your program.

See [“IOCTL call” on page 265](#) for another way to control a socket’s blocking mode.

Values for Command which are supported by the z/OS UNIX System Services fcntl callable service is also be accepted. See the [z/OS UNIX System Services Programming: Assembler Callable Services Reference](#) for more information.

The following requirements apply to this call:

Requirement	Description
Authorization:	Supervisor state or problem state, any PSW key
Dispatchable unit mode:	Task
Cross memory mode:	PASN = HASN
Amode:	31-bit or 24-bit
ASC mode:	Primary address space control (ASC) mode
Interrupt status:	Enabled for interrupts
Locks:	Unlocked
Control parameters:	All parameters must be addressable by the caller and in the primary address space

[Figure 123 on page 217](#) shows an example of FCNTL call instructions.

```
WORKING-STORAGE SECTION.
  01 SOC-FUNCTION PIC X(16) VALUE IS 'FCNTL'.
  01 S PIC 9(4) BINARY.
  01 COMMAND PIC 9(8) BINARY.
  01 REQARG PIC 9(8) BINARY.
  01 ERRNO PIC 9(8) BINARY.
  01 RETCODE PIC S9(8) BINARY.

PROCEDURE DIVISION.
  CALL 'EZASOKET' USING SOC-FUNCTION S COMMAND REQARG
  ERRNO RETCODE.
```

Figure 123. FCNTL call instruction example

For equivalent PL/I and assembler language declarations, see [“Converting parameter descriptions” on page 205](#).

Parameter values set by the application for the FCNTL call

SOC-FUNCTION

A 16-byte character field containing FCNTL. The field is left-aligned and padded on the right with blanks.

S

A halfword binary number specifying the socket descriptor for the socket that you want to unblock or query.

COMMAND

A fullword binary number with the following values.

Value

Description

3

Query the blocking mode of the socket

4

Set the mode to blocking or nonblocking for the socket

REQARG

A fullword binary field containing a mask that TCP/IP uses to set the FNDELAY flag.

- If COMMAND is set to 3 ('query') the REQARG field should be set to 0.
- If COMMAND is set to 4 ('set')
 - Set REQARG to 4 to turn the FNDELAY flag on. This places the socket in nonblocking mode.
 - Set REQARG to 0 to turn the FNDELAY flag off. This places the socket in blocking mode.

Parameter values returned to the application for the FCNTL call

ERRNO

A fullword binary field. If RETCODE is negative, the field contains an error number. See [Appendix B, “Return codes,” on page 381](#) for information about ERRNO return codes.

RETCODE

A fullword binary field that returns one of the following:

- If COMMAND was set to 3 (query), a bit string is returned.
 - If RETCODE contains X'00000004', the socket is nonblocking. (The FNDELAY flag is on.)
 - If RETCODE contains X'00000000', the socket is blocking. (The FNDELAY flag is off.)
- If COMMAND was set to 4 (set), a successful call is indicated by 0 in this field. In both cases, a RETCODE of -1 indicates an error (Check the ERRNO field for the error number.)

FREEADDRINFO call

FREEADDRINFO frees all the address information structures returned by GETADDRINFO in the RES parameter. [Figure 124 on page 219](#) shows an example of FREEADDRINFO call instructions.

The following requirements apply to this call:

Requirement	Description
Authorization:	Supervisor state or problem state, any PSW key
Dispatchable unit mode:	Task
Cross memory mode:	PASN = HASN

Requirement	Description
Amode:	31-bit or 24-bit
ASC mode:	Primary address space control (ASC) mode
Interrupt status:	Enabled for interrupts
Locks:	Unlocked
Control parameters:	All parameters must be addressable by the caller and in the primary address space

Figure 124 on page 219 shows an example of FREEADDRINFO call instructions.

```

WORKING-STORAGE SECTION.
  01 SOC-FUNCTION    PIC X(16) VALUE IS 'FREEADDRINFO' .
  01 ADDRINFO       PIC 9(8) BINARY.
  01 ERRNO          PIC 9(8) BINARY.
  01 RETCODE        PIC S9(8) BINARY.

PROCEDURE DIVISION.
  CALL 'EZASOKET' USING SOC-FUNCTION ADDRINFO ERRNO RETCODE.

```

Figure 124. FREEADDRINFO call instruction example

For equivalent PL/I and assembler language declarations, see [“Converting parameter descriptions”](#) on page 205.

Parameter values set by the application for the FREEADDRINFO call

SOC-FUNCTION

A 16-byte character field containing 'FREEADDRINFO'. The field is left-justified and padded on the right with blanks.

ADDRINFO

The address of a set of address information structures returned by the GETADDRINFO RES argument.

Parameter values returned to the application for the FREEADDRINFO call

ERRNO

A fullword binary field. If RETCODE is negative, ERRNO contains an error number. See [Appendix B, “Return codes,”](#) on page 381 for information about ERRNO return codes.

RETCODE

A fullword binary field that returns one of the following:

Value

Description

0

Successful call

-1

Check ERRNO for an error code

GETADDRINFO call

GETADDRINFO translates the name of a service location (for example, a host name), service name, or both and returns a set of socket addresses and associated information to be used in creating a socket with which to address the specified service or sending a datagram to the specified service. [Figure 125 on page 221](#) shows an example of GETADDRINFO call instructions.

The following requirements apply to this call:

Requirement	Description
Authorization:	Supervisor state or problem state, any PSW key
Dispatchable unit mode:	Task
Cross memory mode:	PASN = HASN
Amode:	31-bit or 24-bit
ASC mode:	Primary address space control (ASC) mode
Interrupt status:	Enabled for interrupts
Locks:	Unlocked
Control parameters:	All parameters must be addressable by the caller and in the primary address space

Figure 125 on page 221 shows an example of GETADDRINFO call instructions.

```

WORKING-STORAGE SECTION.
01 SOC-FUNCTION PIC X(16) VALUE IS 'GETADDRINFO'.
01 NODE PIC X(255).
01 NODELEN PIC 9(8) BINARY.
01 SERVICE PIC X(32).
01 SERVLN PIC 9(8) BINARY.
01 AI-PASSIVE PIC 9(8) BINARY VALUE 1.
01 AI-CANONNAMEOK PIC 9(8) BINARY VALUE 2.
01 AI-NUMERICHOST PIC 9(8) BINARY VALUE 4.
01 AI-NUMERICSERV PIC 9(8) BINARY VALUE 8.
01 AI-V4MAPPED PIC 9(8) BINARY VALUE 16.
01 AI-ALL PIC 9(8) BINARY VALUE 32.
01 AI-ADDRCONFIG PIC 9(8) BINARY VALUE 64.
01 AI-EXTFLAGS PIC 9(8) BINARY VALUE 128.
01 HINTS USAGE IS POINTER.
01 RES USAGE IS POINTER.
01 CANNLEN PIC 9(8) BINARY.
01 ERRNO PIC 9(8) BINARY.
01 RETCODE PIC S9(8) BINARY.

```

```

LINKAGE SECTION.
01 HINTS-ADDRINFO.
03 FLAGS PIC 9(8) BINARY.
03 AF PIC 9(8) BINARY.
03 SOCTYPE PIC 9(8) BINARY.
03 PROTO PIC 9(8) BINARY.
03 FILLER PIC 9(8) BINARY.
03 FILLER PIC X(4).
03 FILLER PIC X(4).
03 FILLER PIC 9(8) BINARY.
03 FILLER PIC X(4).
03 FILLER PIC 9(8) BINARY.
03 FILLER PIC X(4).
03 FILLER PIC 9(8) BINARY.
03 EFLAGS PIC 9(8) BINARY.
01 RES-ADDRINFO.
03 FLAGS PIC 9(8) BINARY.
03 AF PIC 9(8) BINARY.
03 SOCTYPE PIC 9(8) BINARY.
03 PROTO PIC 9(8) BINARY.
03 NAMELEN PIC 9(8) BINARY.
03 FILLER PIC X(4).
03 FILLER PIC X(4).
03 CANONNAME USAGE IS POINTER.
03 FILLER PIC X(4).
03 NAME USAGE IS POINTER.
03 FILLER PIC X(4).
03 NEXT USAGE IS POINTER.
03 FILLER PIC 9(8) BINARY.

```

```

PROCEDURE DIVISION.
MOVE 'www.hostname.com' TO NODE.
MOVE 16 TO HOSTLEN.
MOVE 'TELNET' TO SERVICE.
MOVE 6 TO SERVLN.
SET HINTS TO ADDRESS OF HINTS-ADDRINFO.
CALL 'EZASOKET' USING SOC-FUNCTION
NODE NODELEN SERVICE SERVLN HINTS
RES CANNLEN ERRNO RETCODE.

```

Figure 125. GETADDRINFO call instruction example

For equivalent PL/I and assembler language declarations, see [“Converting parameter descriptions” on page 205](#).

Parameter values set by the application for the GETADDRINFO call

SOC-FUNCTION

A 16-byte character field containing 'GETADDRINFO'. The field is left-justified and padded on the right with blanks.

NODE

Storage maximum of 255 bytes that contains the host name being queried. If the AI-NUMERICHOST flag is specified in the storage pointed to by the HINTS operand, then NODE should contain the

queried hosts IP address in presentation form. This is an optional field but if specified you must also code NODELEN.

Scope information can be appended to the host name, using the format *node%scope information*. The combined length of the value specified must still fit within 255 bytes. For information about using scope information on GETADDRINFO processing, see [z/OS Communications Server: IPv6 Network and Application Design Guide](#).

NODELEN

A fullword binary field set to the length of the host name specified in the NODE field. This field should not include extraneous blanks. This is an optional field but if specified you must also code NODE.

SERVICE

Storage maximum of 32 bytes that contains the service name being queried. If the AI-NUMERICSERV flag is specified in the storage pointed to by the HINTS operand, then SERVICE should contain the queried port number in presentation form. This is an optional field but if specified you must also code SERVLN.

SERVLN

A fullword binary field set to the length of the service name specified in the SERVICE field. This field should not include extraneous blanks. This is an optional field but if specified you must also code SERVICE.

HINTS

If the HINTS argument is specified, it contains the address of an addrinfo structure containing input values that can direct the operation by providing options and by limiting the returned information to a specific socket type, address family, and protocol. If the HINTS argument is not specified, the information returned is as if it referred to a structure containing the value 0 for the FLAGS, SOCTYPE and PROTO fields, and AF_UNSPEC for the AF field. Include the EZBREHST resolver macro to enable your assembler program to contain the assembler mappings for the ADDR_INFO structure.

The EZBREHST macro is stored in SYS1.MACLIB, r hostent, addrinfo mappings, and services return codes. Copy definitions from EZACOBOL sample module to your COBOL program for mapping the ADDRINFO structure. The EZACOBOL sample module is stored in hlq.SEZAINST library. Copy definitions from CBLOCK sample module to your PL/I program for mapping the ADDRINFO structure. The CBLOCK sample module is stored in hlq.SEZAINST library.

This is an optional field. The address information structure has the following fields:

Field

Description

FLAGS

A fullword binary field. The value of this field must be 0 or the bitwise OR of one or more of the following flags:

AI-PASSIVE (X'00000001') or a decimal value of 1

Specifies how to fill in the name pointed to by the returned RES parameter.

If this flag is specified, the returned address information can be used to bind a socket for accepting incoming connections for the specified service (for example, using the BIND call). If you use the BIND call and if the NODE argument is not specified, the IP address portion of the socket address structure pointed to by the returned RES parameter is set to INADDR_ANY for an IPv4 address or to the IPv6 unspecified address (in6addr_any).

If this flag is not set, the returned address information can be used for the CONNECT call (for a connection-mode protocol) or on a CONNECT, SENDTO, or SENDMSG call (for a connectionless protocol). If you use a CONNECT call and if the NODE argument is not specified, the NAME pointed to by the returned RES is set to the loopback address.

This flag is ignored if the NODE argument is specified.

AI-CANONNAMEOK (X'00000002') or a decimal value of 2

If this flag is specified and the NODE argument is specified, the GETADDRINFO call attempts to determine the canonical name corresponding to the NODE argument.

AI-NUMERICHOST (X'00000004') or a decimal value of 4

If this flag is specified, the NODE argument must be a numeric host address in presentation form. Otherwise, an error of host not found [EAI_NONAME] is returned.

AI-NUMERICSERV (X'00000008') or a decimal value of 8

If this flag is specified, the SERVICE argument must be a numeric port in presentation form. Otherwise, an error [EAI_NONAME] is returned.

AI-V4MAPPED (X'00000010') or a decimal value of 16

If this flag is specified along with the AF field with the value of AF_INET6, or a value of AF_UNSPEC when IPv6 is supported on the system, the caller accepts IPv4-mapped IPv6 addresses.

- If the AF field is AF_INET6, a query for IPv4 addresses is made if the AI-ALL flag is specified or if no IPv6 addresses are found. Any IPv4 addresses that are found are returned as IPv4-mapped IPv6 addresses.
- If the AF field is AF_UNSPEC, queries are made for both IPv6 and IPv4 addresses. If IPv4 addresses are found and IPv6 is supported, the IPv4 addresses are returned as IPv4-mapped IPv6 addresses.

Otherwise, this flag is ignored.

AI-ALL (X'00000020') or a decimal value of 32

If the AF field has a value of AF_INET6 and AI-ALL is set, the AI-V4MAPPED flag must also be set to indicate that the caller accepts all addresses: IPv6 and IPv4-mapped IPv6 addresses.

If the AF field has a value of AF_UNSPEC, AI-ALL is accepted, but has no impact on the processing. No matter if AI-ALL is specified or not, the caller accepts both IPv6 and IPv4 addresses. A query is first made for IPv6 addresses and if successful, the IPv6 addresses are returned. Another query is then made for IPv4 addresses:

- If the AI-V4MAPPED flag is also specified and the system supports IPv6, the IPv4 addresses are returned as IPv4-mapped IPv6 addresses.
- If the AI-V4MAPPED flag is not specified or the system does not support IPv6, the IPv4 addresses are returned as IPv4 addresses.

Otherwise, this flag is ignored.

AI-ADDRCONFIG (X'00000040') or a decimal value of 64

If this flag is specified, a query on the name in nodename occurs if the resolver determines that one of the following is true:

- If the system is IPv6 enabled and has at least one IPv6 interface, then the resolver makes a query for IPv6 (AAAA or A6 DNS records) records.
- If the system is IPv4 enabled and has at least one IPv4 interface, then the resolver makes a query for IPv4 (A DNS records) records.

AI-EXTFLAGS (X'00000080') or a decimal value of 128.

If this flag is specified, the address information structure contains an EFLAGS field (see the field description of EFLAGS).

Tip: To perform the binary OR'ing of the flags in this topic in a COBOL program, add the necessary COBOL statements as in the following example. Note that the value of the FLAGS field after the COBOL ADD is a decimal 80 or a X'00000050' which is the sum of OR'ing AI-V4MAPPED and AI-ADDRCONFIG or x'00000010' and x'00000040':

```
01 AI-V4MAPPED PIC 9(8) BINARY VALUE 16.
01 AI-ADDRCONFIG PIC 9(8) BINARY VALUE 64.

ADD AI-V4MAPPED TO FLAGS.
ADD AI-ADDRCONFIG TO FLAGS.
```

AF

A fullword binary field. Used to limit the returned information to a specific address family. The value of AF_UNSPEC means that the caller accepts any protocol family. The value of a decimal 0 indicates

AF_UNSPEC. The value of a decimal 2 indicates AF_INET and the value of a decimal 19 indicates AF_INET6.

SOCTYPE

A fullword binary field. Used to limit the returned information to a specific socket type. A value of 0 means that the caller accepts any socket type. If a specific socket type is not given (for example, a value of 0), information about all supported socket types is returned.

The following are the acceptable socket types:

Type Name	Decimal Value	Description
SOCK_STREAM	1	for stream socket
SOCK_DGRAM	2	for datagram socket
SOCK_RAW	3	for raw-protocol interface

Anything else fails with return code EAI_SOCKTYPE. Although SOCK_RAW is accepted, it is valid only when SERVICE is numeric (for example, SERVICE=23). A lookup for a SERVICE name never occurs in the appropriate services file (for example, *hlq.ETC.SERVICES*) using any protocol value other than SOCK_STREAM or SOCK_DGRAM. If PROTO is nonzero and SOCKTYPE is zero, the only acceptable input values for PROTO are IPPROTO_TCP and IPPROTO_UDP. Otherwise, the GETADDRINFO call fails with a return code of EAI_BADFLAGS. If SOCTYPE and PROTO are both specified as zero, GETADDRINFO proceeds as follows:

- If SERVICE is null, or if SERVICE is numeric, any returned addrinfos default to a specification of SOCTYPE as SOCK_STREAM.
- If SERVICE is specified as a service name (for example, SERVICE=FTP), the GETADDRINFO call searches the appropriate services file (for example, *hlq.ETC.SERVICES*) twice. The first search uses SOCK_STREAM as the protocol, and the second search uses SOCK_DGRAM as the protocol. No default socket type provision exists in this case.

If both SOCTYPE and PROTO are specified as nonzero, they should be compatible, regardless of the value specified by SERVICE. In this context, compatible means one of the following:

- SOCTYPE=SOCK_STREAM and PROTO=IPPROTO_TCP
- SOCTYPE=SOCK_DGRAM and PROTO=IPPROTO_UDP
- SOCTYPE is specified as SOCK_RAW, in which case PROTO can be anything.

PROTO

A fullword binary field. Used to limit the returned information to a specific protocol. A value of 0 means that the caller accepts any protocol.

The following are the acceptable protocols:

Protocol Name	Decimal Value	Description
IPPROTO_TCP	6	TCP
IPPROTO_UDP	17	user datagram

If PROTO and SOCTYPE are both specified as zero, GETADDRINFO proceeds as follows:

- If SERVICE is null, or if SERVICE is numeric, any returned addrinfos default to a specification of SOCTYPE as SOCK_STREAM.
- If SERVICE is specified as a service name (for example, SERVICE=FTP), the GETADDRINFO call searches the appropriate services file (for example, *hlq.ETC.SERVICES*) file twice. The first search uses SOCK_STREAM as the protocol, and the second search uses SOCK_DGRAM as the protocol. No default socket type provision exists in this case.

If both PROTO and SOCTYPE are specified as nonzero, they should be compatible, regardless of the value specified by SERVICE. In this context, compatible means one of the following:

- SOCTYPE=SOCK_STREAM and PROTO=IPPROTO_TCP
- SOCTYPE=SOCK_DGRAM and PROTO=IPPROTO_UDP
- SOCTYPE=SOCK_RAW, in which case PROTO can be anything.

If the lookup for the value specified in SERVICE fails [that is, the service name does not appear in the appropriate services file (for example, *hlq.ETC.SERVICES*) using the input protocol], the GETADDRINFO call fails with a return code of EAI_SERVICE.

NAMELEN

A fullword binary field followed by 8 padding bytes. On input, this field must be 0.

CANONNAME

A fullword binary field followed by 4 padding bytes. On input, this field must be 0.

NAME

A fullword binary field followed by 4 padding bytes. On input, this field must be 0.

NEXT

A fullword binary field. On input, this field must be 0.

EFLAGS

A fullword binary field that specifies the source IPv6 address selection preferences.

This field is required if AI-EXTFLAGS is specified in the FLAGS field.

This value of this field must be 0 or the bitwise OR of one or more of the following flags:

IPV6_PREFER_SRC_HOME

(X'00000001') or the decimal value 1 indicates that home source IPv6 addresses are preferred over care-of source IPv6 addresses.

IPV6_PREFER_SRC_COA

(X'00000002') or the decimal value 2 indicates that care-of source IPv6 addresses are preferred over home source IPv6 addresses.

IPV6_PREFER_SRC_TMP

(X'00000004') or the decimal value 4 indicates that temporary source IPv6 addresses are preferred over public source IPv6 addresses.

IPV6_PREFER_SRC_PUBLIC

(X'00000008') or the decimal value 8 indicates that public source IPv6 addresses are preferred over temporary source IPv6 addresses.

IPV6_PREFER_SRC_CGA

(X'00000010') or the decimal value 16 indicates that cryptographically generated source IPv6 addresses are preferred over non-cryptographically generated source IPv6 addresses.

IPV6_PREFER_SRC_NONCGA

(X'00000020') or the decimal value 32 indicates that non-cryptographically generated source IPv6 addresses are preferred over cryptographically generated source IPv6 addresses.

If contradictory or invalid EFLAGS are specified, the GETADDRINFO call fails with the RETCODE -1 and the ERRNO EAI_BADEXTFLAGS (decimal value 11).

- An example of contradictory EFLAGS is IPV6_PREFER_SRC_TMP and IPV6_PREFER_SRC_PUBLIC
- An example of invalid EFLAGS is X'00000040' or the decimal value 64

RES

Initially a fullword binary field. On a successful return, this field contains a pointer to a chain of one or more addrinfo structures. The structures are allocated in the key of the calling application. The structures returned by GETADDRINFO are serially reusable storage for the z/OS UNIX process. They can be used or referenced between process threads, but should not be used or referenced between processes. When you finish using the structures, explicitly release their storage by specifying the returned pointer on a FREEADDRINFO. Include the EZBREHST resolver macro so that your assembler program contains the assembler mappings for the ADDR_INFO structure. The EZBREHST assembler macro is stored in the SYS1.MACLIB library. Copy definitions from the EZACOBOL sample module to

your COBOL program for mapping the ADDRINFO structure. The EZACOBOL sample module is stored in the *hlq.SEZAINST* library. Copy definitions from the CBLOCK sample module to your PL/I program for mapping the ADDRINFO structure. The CBLOCK sample module is stored in the *hlq.SEZAINST* library.

Requirement: The structures returned by GETADDRINFO are a serially reusable storage areas associated with the transaction. Do not use or reference these structures from other transactions.

The address information structure contains the following fields:

Field

Description

FLAGS

A fullword binary field that is not used as output.

AF

A fullword binary field. The value returned in this field can be used as the AF argument on the SOCKET call to create a socket suitable for use with the returned address NAME.

SOCTYPE

A fullword binary field. The value returned in this field can be used as the SOCTYPE argument on the SOCKET call to create a socket suitable for use with the returned address NAME.

PROTO

A fullword binary field. The value returned in this field can be used as the PROTO argument on the SOCKET call to create a socket suitable for use with the returned address ADDR.

NAMELEN

A fullword binary field. The length of the NAME socket address structure.

CANONNAME

A fullword binary field. The canonical name for the value specified by NODE. If the NODE argument is specified, and if the AI-CANONNAMEOK flag was specified by the HINTS argument, the CANONNAME field in the first returned address information structure contains the address of storage containing the canonical name corresponding to the input NODE argument. If the canonical name is not available, the CANONNAME field refers to the NODE argument or a string with the same contents. The CANNLEN field contains the length of the returned canonical name.

NAME

A fullword binary field followed by 4 padding bytes. The address of the returned socket address structure. The value returned in this field can be used as the arguments for the CONNECT, BIND, or BIND2ADDRSEL call with this socket type, according to the AI-PASSIVE flag.

NEXT

A fullword binary field. Contains the address of the next address information structure on the list, or zeros if it is the last structure on the list.

EFLAGS

A fullword binary field that is not used as output.

CANNLEN

Initially an input parameter. A fullword binary field used to contain the length of the canonical name returned by the RES CANONNAME field. This is an optional field.

Parameter values returned to the application for the GETADDRINFO call

ERRNO

ERRNO A fullword binary field. If RETCODE is negative, ERRNO contains an error number. See [Appendix B, "Return codes," on page 381](#) for information about ERRNO return codes.

RETCODE

A fullword binary field that returns one of the following:

Value

Description

0 Successful call

-1 Check ERRNO for an error code

The ADDRINFO structure uses indirect addressing to return a variable number of NAMES. If you are coding in PL/I or assembler language, this structure can be processed in a relatively straightforward manner. If you are coding in COBOL, this structure might be difficult to interpret. You can use the subroutine EZACIC09 to simplify interpretation of the information returned by the GETADDRINFO calls.

GETCLIENTID call

GETCLIENTID call returns the identifier by which the calling application is known to the TCP/IP address space in the calling program. The CLIENT parameter is used in the GIVESOCKET and TAKESOCKET calls. See [“GIVESOCKET call” on page 258](#) for a discussion of the use of GIVESOCKET and TAKESOCKET calls.

Do not be confused by the terminology; when GETCLIENTID is called by a server, the identifier of the caller (not necessarily the client) is returned.

The following requirements apply to this call:

Requirement	Description
Authorization:	Supervisor state or problem state, any PSW key
Dispatchable unit mode:	Task
Cross memory mode:	PASN = HASN
Amode:	31-bit or 24-bit
ASC mode:	Primary address space control (ASC) mode
Interrupt status:	Enabled for interrupts
Locks:	Unlocked
Control parameters:	All parameters must be addressable by the caller and in the primary address space

Figure 126 on page 227 shows an example of GETCLIENTID call instructions.

```
WORKING-STORAGE SECTION.  
  01 SOC-FUNCTION PIC X(16) VALUE IS 'GETCLIENTID'.  
  01 CLIENT.  
    03 DOMAIN PIC 9(8) BINARY.  
    03 NAME PIC X(8).  
    03 TASK PIC X(8).  
    03 RESERVED PIC X(20).  
  01 ERRNO PIC 9(8) BINARY.  
  01 RETCODE PIC S9(8) BINARY.  
  
PROCEDURE DIVISION.  
  CALL 'EZASOKET' USING SOC-FUNCTION CLIENT ERRNO RETCODE.
```

Figure 126. GETCLIENTID call instruction example

For equivalent PL/I and assembler language declarations, see [“Converting parameter descriptions” on page 205](#).

Parameter values set by the application for the GETCLIENTID call

SOC-FUNCTION

A 16-byte character field containing 'GETCLIENTID'. The field is left-aligned and padded to the right with blanks.

Parameter values returned to the application for the GETCLIENTID call

CLIENT

A client-ID structure that describes the application that issued the call.

DOMAIN

On input this is an optional parameter for AF_INET, and required parameter for AF_INET6 to specify the domain of the client. This is a fullword binary number specifying the caller's domain. For TCP/IP, the value is set to a decimal 2 for AF_INET or a decimal 19 for AF_INET6.

NAME

An 8-byte character field set to the caller's address space name.

TASK

An 8-byte character field set to the task identifier of the caller.

RESERVED

Specifies 20-byte character reserved field. This field is required, but not used.

ERRNO

A fullword binary field. If RETCODE is negative, the field contains an error number. See [Appendix B, "Return codes,"](#) on page 381 for information about ERRNO return codes.

RETCODE

A fullword binary field that returns one of the following:

Value

Description

0

Successful call

-1

Check ERRNO for an error code

GETHOSTBYADDR call

The GETHOSTBYADDR call returns the domain name and alias name of a host whose Internet address is specified in the call. A given TCP/IP host can have multiple alias names and multiple host Internet addresses.

The address resolution depends on how the resolver is configured and if any local host tables exist. See [z/OS Communications Server: IP Configuration Guide](#) for information about configuring the resolver and using local host tables.

The following requirements apply to this call:

Requirement	Description
Authorization:	Supervisor state or problem state, any PSW key
Dispatchable unit mode:	Task
Cross memory mode:	PASN = HASN
Amode:	31-bit or 24-bit
ASC mode:	Primary address space control (ASC) mode
Interrupt status:	Enabled for interrupts
Locks:	Unlocked
Control parameters:	All parameters must be addressable by the caller and in the primary address space

[Figure 127 on page 229](#) shows an example of GETHOSTBYADDR call instructions.

```

WORKING-STORAGE SECTION.
  01 SOC-FUNCTION    PIC X(16) VALUE IS 'GETHOSTBYADDR'.
  01 HOSTADDR       PIC 9(8) BINARY.
  01 HOSTENT        PIC 9(8) BINARY.
  01 RETCODE        PIC S9(8) BINARY.

PROCEDURE DIVISION.
  CALL 'EZASOKET' USING SOC-FUNCTION HOSTADDR HOSTENT RETCODE.

```

Figure 127. *GETHOSTBYADDR* call instruction example

For equivalent PL/I and assembler language declarations, see [“Converting parameter descriptions”](#) on page 205.

Parameter values set by the application for the **GETHOSTBYADDR** call

SOC-FUNCTION

A 16-byte character field containing 'GETHOSTBYADDR'. The field is left-aligned and padded on the right with blanks.

HOSTADDR

A fullword binary field set to the Internet address (specified in network byte order) of the host whose name is being sought. See [Appendix B, “Return codes,”](#) on page 381 for information about ERRNO return codes.

Parameter values returned to the application for the **GETHOSTBYADDR** call

HOSTENT

A fullword containing the address of the HOSTENT structure.

RETCODE

A fullword binary field that returns one of the following:

Value

Description

0

Successful call

-1

An error occurred

GETHOSTBYADDR returns the HOSTENT structure shown in [Figure 128](#) on page 230.

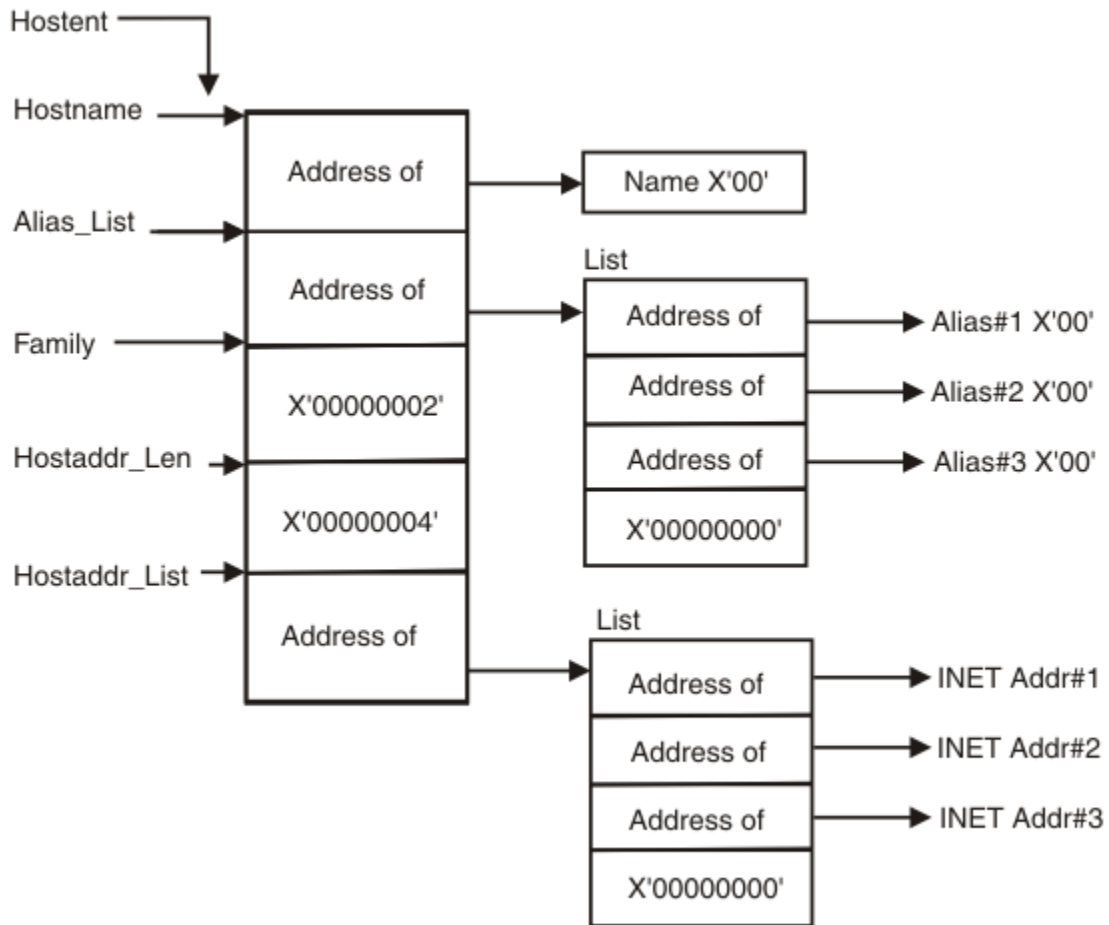


Figure 128. HOSTENT structure returned by the GETHOSTBYADDR call

This structure contains:

- The address of the host name that the call returns. The name length is variable and is ended by X'00'.
- The address of a list of addresses that point to the alias names returned by the call. This list is ended by the pointer X'00000000'. Each alias name is a variable length field ended by X'00'.
- The value returned in the FAMILY field is always 2 for AF_INET.
- The length of the host Internet address returned in the HOSTADDR_LEN field is always 4 for AF_INET.
- The address of a list of addresses that point to the host Internet addresses returned by the call. The list is ended by the pointer X'00000000'. If the call cannot be resolved, the HOSTENT structure contains the ERRNO 10214.

The HOSTENT structure uses indirect addressing to return a variable number of alias names and Internet addresses. If you are coding in PL/I or assembler language, this structure can be processed in a relatively straightforward manner. If you are coding in COBOL, this structure might be difficult to interpret. You can use the subroutine EZACIC08 to simplify interpretation of the information returned by the GETHOSTBYADDR and GETHOSTBYNAME calls. For more information about EZACIC08, see “EZACIC08 program” on page 340. If you are coding in assembler, this structure is defined in the EZBREHST macro. The EZBREHST macro is stored in SYS1.MACLIB, and r HOSTENT structure, address information mappings, and services return codes.

GETHOSTBYNAME call

The GETHOSTBYNAME call returns the alias name and the Internet address of a host whose domain name is specified in the call. A given TCP/IP host can have multiple alias names and multiple host Internet addresses.

The name resolution attempted depends on how the resolver is configured and if any local host tables exist. See [z/OS Communications Server: IP Configuration Guide](#) for information about configuring the resolver and using local host tables.

The following requirements apply to this call:

Requirement	Description
Authorization:	Supervisor state or problem state, any PSW key
Dispatchable unit mode:	Task
Cross memory mode:	PASN = HASN
Amode:	31-bit or 24-bit
ASC mode:	Primary address space control (ASC) mode
Interrupt status:	Enabled for interrupts
Locks:	Unlocked
Control parameters:	All parameters must be addressable by the caller and in the primary address space

[Figure 129 on page 231](#) shows an example of GETHOSTBYNAME call instructions.

```
WORKING-STORAGE SECTION.  
  01 SOC-FUNCTION    PIC X(16) VALUE IS 'GETHOSTBYNAME'.  
  01 NAMELEN        PIC 9(8)  BINARY.  
  01 NAME           PIC X(255).  
  01 HOSTENT        PIC 9(8)  BINARY.  
  01 RETCODE        PIC S9(8) BINARY.  
  
PROCEDURE DIVISION.  
  CALL 'EZASOKET' USING SOC-FUNCTION NAMELEN NAME  
                      HOSTENT RETCODE.
```

Figure 129. GETHOSTBYNAME call instruction example

For equivalent PL/I and assembler language declarations, see [“Converting parameter descriptions” on page 205](#).

Parameter values set by the application for the GETHOSTBYNAME call

SOC-FUNCTION

A 16-byte character field containing 'GETHOSTBYNAME'. The field is left-aligned and padded on the right with blanks.

NAMELEN

A value set to the length of the host name. The maximum is 255.

NAME

A character string, up to 255 characters, set to a host name. This call returns the address of the HOSTENT structure for this name.

Parameter values returned to the application for the GETHOSTBYNAME call

HOSTENT

A fullword binary field that contains the address of the HOSTENT structure.

RETCODE

A fullword binary field that returns one of the following:

Value

Description

0

Successful call

-1

An error occurred

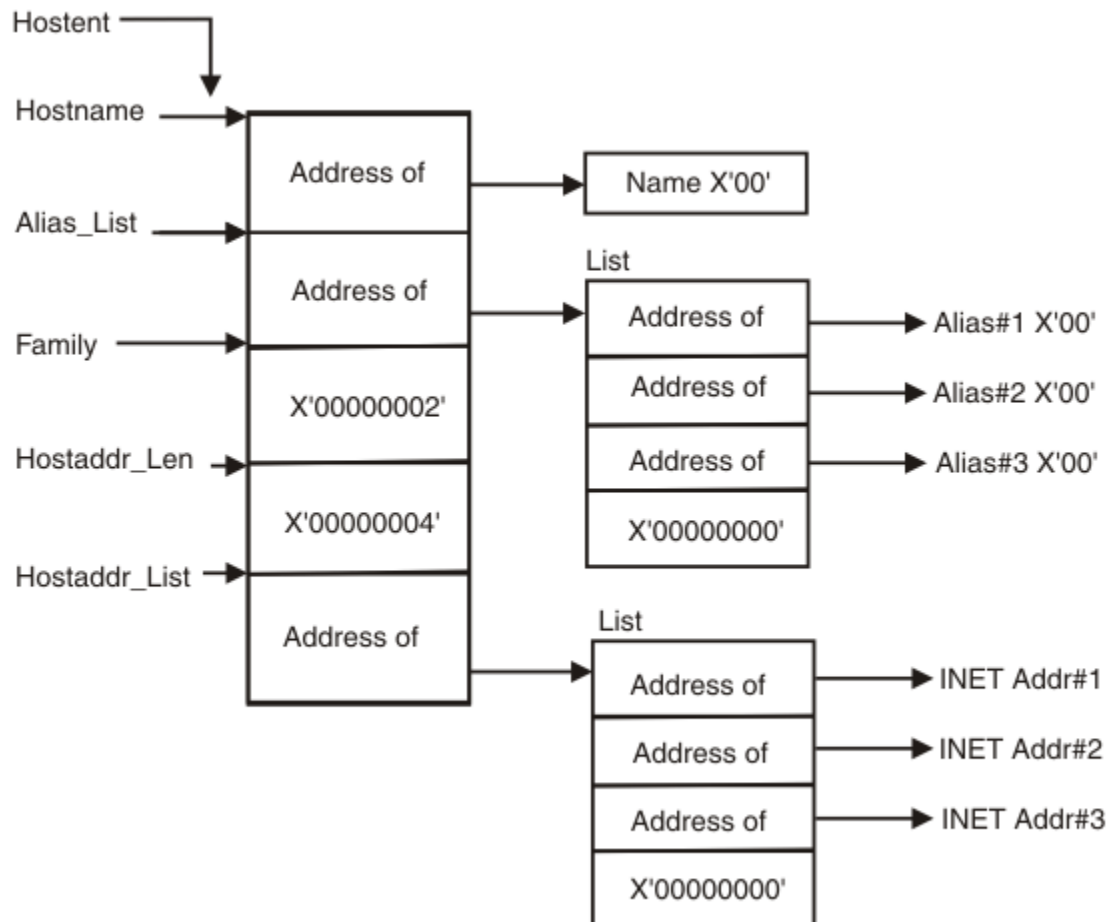


Figure 130. HOSTENT structure returned by the GETHOSTBYNAME call

GETHOSTBYNAME returns the HOSTENT structure shown in [Figure 130](#) on page 232. This structure contains:

- The address of the host name that the call returns. The name length is variable and is ended by X'00'.
- The address of a list of addresses that point to the alias names returned by the call. This list is ended by the pointer X'00000000'. Each alias name is a variable length field ended by X'00'.
- The value returned in the FAMILY field is always 2 for AF_INET.
- The length of the host Internet address returned in the HOSTADDR_LEN field is always 4 for AF_INET.
- The address of a list of addresses that point to the host Internet addresses returned by the call. The list is ended by the pointer X'00000000'. If the call cannot be resolved, the HOSTENT structure contains the ERRNO 10214.

The HOSTENT structure uses indirect addressing to return a variable number of alias names and Internet addresses. If you are coding in PL/I or assembler language, this structure can be processed in a

relatively straightforward manner. If you are coding in COBOL, this structure might be difficult to interpret. You can use the subroutine EZACIC08 to simplify interpretation of the information returned by the GETHOSTBYADDR and GETHOSTBYNAME calls. For more information about EZACIC08, see [“EZACIC08 program” on page 340](#). If you are coding in assembler, this structure is defined in the EZBREHST macro. The EZBREHST macro is stored in SYS1.MACLIB, and r HOSTENT structure, address information mappings, and services return codes.

GETHOSTID call

The GETHOSTID call returns the 32-bit IPv4 Internet address for the current host.

The following requirements apply to this call:

Requirement	Description
Authorization:	Supervisor state or problem state, any PSW key
Dispatchable unit mode:	Task
Cross memory mode:	PASN = HASN
Amode:	31-bit or 24-bit
ASC mode:	Primary address space control (ASC) mode
Interrupt status:	Enabled for interrupts
Locks:	Unlocked
Control parameters:	All parameters must be addressable by the caller and in the primary address space

[Figure 131 on page 233](#) shows an example of GETHOSTID call instructions.

```

WORKING-STORAGE SECTION.
    01 SOC-FUNCTION    PIC X(16) VALUE IS 'GETHOSTID'.
    01 RETCODE        PIC S9(8) BINARY.

PROCEDURE DIVISION.
    CALL 'EZASOKET' USING SOC-FUNCTION RETCODE.

```

Figure 131. GETHOSTID call instruction example

For equivalent PL/I and assembler language declarations, see [“Converting parameter descriptions” on page 205](#).

SOC-FUNCTION

A 16-byte character field containing 'GETHOSTID'. The field is left-aligned and padded on the right with blanks.

RETCODE

Returns a fullword binary field containing the 32-bit IPv4 Internet address of the host. There is no ERRNO parameter for this call.

GETHOSTNAME call

The GETHOSTNAME call returns the domain name of the local host.

Note: The host name that is returned is the host name that the TCPIP stack learned at startup from the TCPIP.DATA file that was found. For more information about hostname, see [HOSTNAME statement in z/OS Communications Server: IP Configuration Reference](#).

The following requirements apply to this call:

Requirement	Description
Authorization:	Supervisor state or problem state, any PSW key
Dispatchable unit mode:	Task
Cross memory mode:	PASN = HASN
Amode:	31-bit or 24-bit
ASC mode:	Primary address space control (ASC) mode
Interrupt status:	Enabled for interrupts
Locks:	Unlocked
Control parameters:	All parameters must be addressable by the caller and in the primary address space

Figure 132 on page 234 shows an example of GETHOSTNAME call instructions.

```

WORKING-STORAGE SECTION.
  01 SOC-FUNCTION    PIC X(16) VALUE IS 'GETHOSTNAME' .
  01 NAMELEN        PIC 9(8) BINARY .
  01 NAME           PIC X(24) .
  01 ERRNO          PIC 9(8) BINARY .
  01 RETCODE        PIC S9(8) BINARY .

PROCEDURE DIVISION.
  CALL 'EZASOKET' USING SOC-FUNCTION NAMELEN NAME
                      ERRNO RETCODE .

```

Figure 132. GETHOSTNAME call instruction example

For equivalent PL/I and assembler language declarations, see [“Converting parameter descriptions”](#) on page 205.

Parameter values set by the application for the GETHOSTNAME call

SOC-FUNCTION

A 16-byte character field containing GETHOSTNAME. The field is left-aligned and padded on the right with blanks.

NAMELEN

A fullword binary field set to the length of the NAME field. The minimum length of the NAME field is 1 character. The maximum length of the NAME field is 255 characters.

Parameter values returned to the application for the GETHOSTNAME call

NAME

Indicates the receiving field for the host name. If the host name is shorter than the NAMELEN value, then the NAME field is filled with binary zeros after the host name. If the host name is longer than the NAMELEN value, then the name is truncated.

ERRNO

A fullword binary field. If RETCODE is negative, the field contains an error number. See [Appendix B, “Return codes,”](#) on page 381 for information about ERRNO return codes.

RETCODE

A fullword binary field that returns one of the following:

Value

Description

0

Successful call

-1

Check ERRNO for an error code

GETNAMEINFO call

The GETNAMEINFO returns the node name and service location of a socket address that is specified in the call. On successful completion, GETNAMEINFO returns host name, host name length, service name, and service name length, if requested, in the buffers provided.

The following requirements apply to this call:

Requirement	Description
Authorization:	Supervisor state or problem state, any PSW key
Dispatchable unit mode:	Task
Cross memory mode:	PASN = HASN
Amode:	31-bit or 24-bit
ASC mode:	Primary address space control (ASC) mode
Interrupt status:	Enabled for interrupts
Locks:	Unlocked
Control parameters:	All parameters must be addressable by the caller and in the primary address space

[Figure 133 on page 236](#) shows an example of GETNAMEINFO call instructions.

```

WORKING-STORAGE SECTION.
  01 SOC-FUNCTION      PIC X(16) VALUE IS 'GETNAMEINFO'.
  01 NAMELEN          PIC 9(8) BINARY.
  01 HOST             PIC X(255).
  01 HOSTLEN         PIC 9(8) BINARY.
  01 SERVICE         PIC X(32).
  01 SERVLN         PIC 9(8) BINARY.
  01 FLAGS           PIC 9(8) BINARY VALUE 0.
  01 NI-NOFQDN       PIC 9(8) BINARY VALUE 1.
  01 NI-NUMERICHOST  PIC 9(8) BINARY VALUE 2.
  01 NI-NAMEREQD     PIC 9(8) BINARY VALUE 4.
  01 NI-NUMERICSERVER PIC 9(8) BINARY VALUE 8.
  01 NI-DGRAM        PIC 9(8) BINARY VALUE 16.
  01 NI-NUMERICSCOPE PIC 9(8) BINARY VALUE 32.

* IPv4 socket structure.
  01 NAME.
    03 FAMILY        PIC 9(4) BINARY.
    03 PORT          PIC 9(4) BINARY.
    03 IP-ADDRESS    PIC 9(8) BINARY.
    03 RESERVED     PIC X(8).

* IPv6 socket structure.
  01 NAME.
    03 FAMILY        PIC 9(4) BINARY.
    03 PORT          PIC 9(4) BINARY.
    03 FLOWINFO     PIC 9(8) BINARY.
    03 IP-ADDRESS.
      10 FILLER     PIC 9(16) BINARY.
      10 FILLER     PIC 9(16) BINARY.
    03 SCOPE-ID     PIC 9(8) BINARY.

  01 ERRNO          PIC 9(8) BINARY.
  01 RETCODE        PIC S9(8) BINARY.

PROCEDURE DIVISION.

  MOVE 28 TO NAMELEN.
  MOVE 255 TO HOSTLEN.
  MOVE 32 TO SERVLN.
  MOVE NI-NAMEREQD TO FLAGS.
  CALL 'EZASOKET' USING SOC-FUNCTION NAME NAMELEN HOST
    HOSTLEN SERVICE SERVLN FLAGS ERRNO RETCODE.

```

Figure 133. GETNAMEINFO call instruction example

For equivalent PL/I and assembler language declarations, see [“Converting parameter descriptions” on page 205](#).

Parameter values set by the application for the GETNAMEINFO call

SOC-FUNCTION

A 16-byte character field containing 'GETNAMEINFO'. The field is left-justified and padded on the right with blanks.

NAME

A socket address structure to be translated that has the following fields:

Field	Description
-------	-------------

FAMILY

A halfword binary number specifying the IPv4 addressing family. For TCP/IP, the value is a decimal 2, indicating AF_INET.

PORT

A halfword binary number specifying the port number.

IP-ADDRESS

A fullword binary number specifying the 32-bit IPv4 Internet address.

RESERVED

An 8-byte reserved field. This field is required, but is not used.

The IPv6 socket address structure specifies the following fields:

Field

Description

FAMILY

A halfword binary field specifying the IPv6 addressing family. For TCP/IP, the value is a decimal 19, indicating AF_INET6.

PORT

A halfword binary number specifying the port number.

FLOW-INFO

A fullword binary field specifying the traffic class and flow label. This field is not implemented.

IP-ADDRESS

A 16-byte binary field specifying the 128-bit IPv6 Internet address, in network byte order.

SCOPE-ID

A fullword binary field that specifies the link scope for an IPv6 address as an interface index. The resolver ignores the SCOPE-ID field, unless the address in the IP-ADDRESS field is a link-local address and the HOST parameter is also specified.

NAMELEN

A fullword binary field. The length of the socket address structure pointed to by the NAME argument.

HOST

On input, a storage area that is large enough to hold the returned resolved host name. The host name can be a maximum of 255 bytes, for the input socket address. If inadequate storage is specified to contain the resolved host name, then the resolver returns the host name value up to the storage amount specified and truncation can occur. If the host's name cannot be located, the numeric form of the host's address is returned instead of its name. However, if the NI_NAMEREQD option is specified and no host name is located, then an error is returned. This is an optional field, but if this field is specified, you must also code the HOSTLEN parameter. Specify both the HOST and HOSTLEN parameters or both the SERVICE and SERVLN parameters. An error occurs if both are omitted.

If the IP-ADDRESS value represents a link-local address, and the SCOPE-ID interface index is a nonzero value, scope information is appended to the resolved host name using the format *host%scope information*. The scope information can be either the numeric form of the SCOPE-ID interface index, or the interface name associated with the SCOPE-ID interface index.

Use the NI_NUMERICSCOPE option to select which form of scope information should be returned. The combined host name and scope information can be a maximum of 255 characters long. For more information about scope information and GETNAMEINFO processing, see the [z/OS Communications Server: IPv6 Network and Application Design Guide](#) for more information.

HOSTLEN

An output parameter. A fullword binary field that contains the length of the host storage (HOST parameter) used to contain the resolved host name that is returned. The HOSTLEN value must be equal to or greater than the length of the longest host name, or the host name and scope information combination, to be returned. The GETNAMEINFO call returns the host name, or hostname and scope information combination, up to the length specified by the HOSTLEN parameter. On output, the HOSTLEN value contains the length of the returned resolved host name, or the host name and scope information combination. If the HOSTLEN value 0 is specified on input, then the resolved host name is not returned. This is an optional field, but if it is specified, you must also code the HOST parameter. Specify both the HOST and HOSTLEN parameters or both the SERVICE and SERVLN parameters. An error occurs if both are omitted.

SERVICE

On input, storage capable of holding the returned resolved service name, which can be a maximum of 32 bytes, for the input socket address. If inadequate storage is specified to contain the resolved service name, then the resolver returns the service name up to the storage specified and truncation can occur. If the service name cannot be located, or if NI_NUMERICSERV was specified in the FLAGS operand, then the numeric form of the service address is returned instead of its name. This is an

optional field, but if specified, you must also code SERVLLEN. Specify both the HOST and HOSTLEN parameters or both the SERVICE and SERVLLEN parameters. An error occurs if both are omitted.

SERVLLEN

An output parameter. A fullword binary field. The length of the SERVICE storage used to contain the returned resolved service name. SERVLLEN must be equal to or greater than the length of the longest service name to be returned. GETNAMEINFO returns the service name up to the length specified by SERVLLEN. On output, SERVLLEN contains the length of the returned resolved service name. If SERVLLEN is 0 on input, then the service name information is not returned. This is an optional field but if specified you must also code SERVICE. Specify both the HOST and HOSTLEN parameters or both the SERVICE and SERVLLEN parameters. An error occurs if both are omitted.

FLAGS

An input parameter. A fullword binary field. This is an optional field. The FLAGS field must contain either a binary or decimal value, depending on the programming language used:

Flag Name	Binary Value	Decimal Value	Description
'NI_NOFQDN'	X'00000001'	1	Return the NAME portion of the fully qualified domain name.
'NI_NUMERICHOST'	X'00000002'	2	Return only the numeric form of host's address.
'NI_NAMEREQD'	X'00000004'	4	Return an error if the host's name cannot be located.
'NI_NUMERICSERV'	X'00000008'	8	Return only the numeric form of the service address.
'NI_DGRAM'	X'00000010'	16	Indicates that the service is a datagram service. The default behavior is to assume that the service is a stream service.
'NI_NUMERICSCOPE'	X'00000020'	32	Return only the numeric form of the SCOPE-ID interface index, when applicable.

Parameter values returned to the application for the GETNAMEINFO call

ERRNO

A fullword binary field. If RETCODE is negative, ERRNO contains an error number. See [Appendix B, "Return codes,"](#) on page 381 for information about ERRNO return codes.

RETCODE

A fullword binary field that returns one of the following:

Value

Description

0

Successful call

-1

Check ERRNO for an error code

GETPEERNAME call

The GETPEERNAME call returns the name of the remote socket to which the local socket is connected.

The following requirements apply to this call:

Requirement	Description
Authorization:	Supervisor state or problem state, any PSW key
Dispatchable unit mode:	Task
Cross memory mode:	PASN = HASN
Amode:	31-bit or 24-bit
ASC mode:	Primary address space control (ASC) mode
Interrupt status:	Enabled for interrupts
Locks:	Unlocked
Control parameters:	All parameters must be addressable by the caller and in the primary address space

Figure 134 on page 239 shows an example of GETPEERNAME call instructions.

```

WORKING-STORAGE SECTION.
    01 SOC-FUNCTION PIC X(16) VALUE IS 'GETPEERNAME'.
    01 S PIC 9(4) BINARY.
*
* IPv4 Socket Address Structure.
*
    01 NAME.
        03 FAMILY PIC 9(4) BINARY.
        03 PORT PIC 9(4) BINARY.
        03 IP-ADDRESS PIC 9(8) BINARY.
        03 RESERVED PIC X(8).
*
* IPv6 Socket Address Structure.
*
    01 NAME.
        03 FAMILY PIC 9(4) BINARY.
        03 PORT PIC 9(4) BINARY.
        03 FLOW-INFO PIC 9(8) BINARY.
        03 IP-ADDRESS.
            05 FILLER PIC 9(16) BINARY.
            05 FILLER PIC 9(16) BINARY.
        03 SCOPE-ID PIC 9(8) BINARY.

    01 ERRNO PIC 9(8) BINARY.
    01 RETCODE PIC S9(8) BINARY.

PROCEDURE DIVISION.
    CALL 'EZASOKET' USING SOC-FUNCTION S NAME ERRNO RETCODE.

```

Figure 134. GETPEERNAME call instruction example

For equivalent PL/I and assembler language declarations, see [“Converting parameter descriptions” on page 205](#).

Parameter values set by the application for the GETPEERNAME call

SOC-FUNCTION

A 16-byte character field containing GETPEERNAME. The field is left-aligned and padded on the right with blanks.

S

A halfword binary number set to the socket descriptor of the local socket connected to the remote peer whose address is required.

Parameter values returned to the application for the GETPEERNAME call

NAME

An IPv4 socket address structure to contain the peer name. The structure that is returned is the socket address structure for the remote socket that is connected to the local socket specified in field S.

FAMILY

A halfword binary field containing the connection peer's IPv4 addressing family. The call always returns the decimal value 2, indicating AF_INET.

PORT

A halfword binary field set to the connection peer's port number.

IP-ADDRESS

A fullword binary field set to the 32-bit IPv4 Internet address of the connection peer's host machine.

RESERVED

Specifies an eight-byte reserved field. This field is required, but not used.

An IPv6 socket address structure to contain the peer name. The structure that is returned is the socket address structure for the remote socket that is connected to the local socket specified in field S.

FAMILY

A halfword binary field containing the connection peer's IPv6 addressing family. The call always returns the decimal value 19, indicating AF_INET6.

PORT

A halfword binary field set to the connection peer's port number.

FLOW-INFO

A fullword binary field specifying the traffic class and flow label. The value of this field is undefined.

IP-ADDRESS

A 16-byte binary field set to the 128-bit IPv6 Internet address of the connection peer's host machine.

SCOPE-ID

A fullword binary field that identifies a set of interfaces as appropriate for the scope of the address carried in the IP-ADDRESS field. For a link scope IP-ADDRESS, SCOPE-ID contains the link index for the IP-ADDRESS. For all other address scopes, SCOPE-ID is undefined.

ERRNO

A fullword binary field. If RETCODE is negative, the field contains an error number. See [Appendix B, "Return codes,"](#) on page 381 for information about ERRNO return codes.

RETCODE

A fullword binary field that returns one of the following:

Value

Description

0

Successful call

-1

Check ERRNO for an error code

GETSOCKNAME call

The GETSOCKNAME call returns the address currently bound to a specified socket. If the socket is not currently bound to an address, the call returns with the FAMILY field set, and the rest of the structure set to 0.

Because a stream socket is not assigned a name until after a successful call to either BIND, CONNECT, or ACCEPT, the GETSOCKNAME call can be used after an implicit bind to discover which port was assigned to the socket.

The following requirements apply to this call:

Requirement	Description
Authorization:	Supervisor state or problem state, any PSW key
Dispatchable unit mode:	Task
Cross memory mode:	PASN = HASN
Amode:	31-bit or 24-bit
ASC mode:	Primary address space control (ASC) mode
Interrupt status:	Enabled for interrupts
Locks:	Unlocked
Control parameters:	All parameters must be addressable by the caller and in the primary address space

Figure 135 on page 241 shows an example of GETSOCKNAME call instructions.

```

WORKING-STORAGE SECTION.
    01 SOC-FUNCTION    PIC X(16) VALUE IS 'GETSOCKNAME'.
    01 S              PIC 9(4) BINARY.
*
* IPv4 Socket Address Structure.
*
    01 NAME.
        03 FAMILY      PIC 9(4) BINARY.
        03 PORT        PIC 9(4) BINARY.
        03 IP-ADDRESS  PIC 9(8) BINARY.
        03 RESERVED   PIC X(8).
*
* IPv6 Socket Address Structure.
*
    01 NAME.
        03 FAMILY      PIC 9(4) BINARY.
        03 PORT        PIC 9(4) BINARY.
        03 FLOW-INFO   PIC 9(8) BINARY.
        03 IP-ADDRESS.
            05 FILLER   PIC 9(16) BINARY.
            05 FILLER   PIC 9(16) BINARY.
        03 SCOPE-ID    PIC 9(8) BINARY.

    01 ERRNO          PIC 9(8) BINARY.
    01 RETCODE        PIC S9(8) BINARY.

PROCEDURE DIVISION.
    CALL 'EZASOKET' USING SOC-FUNCTION S NAME ERRNO RETCODE.

```

Figure 135. GETSOCKNAME call instruction example

For equivalent PL/I and assembler language declarations, see [“Converting parameter descriptions”](#) on page 205.

Parameter values set by the application for the GETSOCKNAME call

SOC-FUNCTION

A 16-byte character field containing GETSOCKNAME. The field is left-aligned and padded on the right with blanks.

S

A halfword binary number set to the descriptor of a local socket whose address is required.

Parameter values returned to the application for the GETSOCKNAME call

NAME

Specifies the IPv4 socket address structure returned by the call.

FAMILY

A halfword binary field containing the addressing family. The call always returns the decimal value 2, indicating AF_INET.

PORT

A halfword binary field set to the port number bound to this socket. If the socket is not bound, zero is returned.

IP-ADDRESS

A fullword binary field set to the 32-bit IPv4 Internet address of the local host machine. If the socket is not bound, the address is the IPv6 unspecified address (in6addr_any).

RESERVED

Specifies 8 bytes of binary zeros. This field is required but not used.

Specifies the IPv6 socket address structure returned by the call.

FAMILY

A halfword binary field containing the addressing family. The call always returns the decimal value of 19, indicating AF_INET6.

PORT

A halfword binary field set to the port number bound to this socket. If the socket is not bound, zero is returned.

FLOW-INFO

A fullword binary field specifying the traffic class and flow label. The value of this field is undefined.

IP-ADDRESS

A 16-byte binary field set to the 128-bit IPv6 Internet address of the local host machine. If the socket is not bound, the address is IN6ADDR_ANY.

SCOPE-ID

A fullword binary field which identifies a set of interfaces as appropriate for the scope of the address carried in the IP-ADDRESS field. For a link scope IP-ADDRESS, SCOPE-ID contains the link index for the IP-ADDRESS. For all other address scopes, SCOPE-ID is undefined.

ERRNO

A fullword binary field. If RETCODE is negative, the field contains an error number. See [Appendix B, "Return codes,"](#) on page 381 for information about ERRNO return codes.

RETCODE

A fullword binary field that returns one of the following:

Value

Description

0

Successful call

-1

Check ERRNO for an error code

GETSOCKOPT call

The GETSOCKOPT call queries the options that are set by the SETSOCKOPT call.

Several options are associated with each socket. These options are described in this topic. You must specify the option to be queried when you issue the GETSOCKOPT call.

The following requirements apply to this call:

Requirement	Description
Authorization:	Supervisor state or problem state, any PSW key

Requirement	Description
Dispatchable unit mode:	Task
Cross memory mode:	PASN = HASN
Amode:	31-bit or 24-bit
ASC mode:	Primary address space control (ASC) mode
Interrupt status:	Enabled for interrupts
Locks:	Unlocked
Control parameters:	All parameters must be addressable by the caller and in the primary address space

Figure 136 on page 243 shows an example of GETSOCKOPT call instructions.

```

WORKING-STORAGE SECTION.
  01 SOC-FUNCTION      PIC X(16) VALUE IS 'GETSOCKOPT'.
  01 S                 PIC 9(4)  BINARY.
  01 OPTNAME          PIC 9(8)  BINARY.
  01 OPTVAL           PIC 9(8)  BINARY.

  01 OPTLEN           PIC 9(8)  BINARY.
  01 ERRNO            PIC 9(8)  BINARY.
  01 RETCODE          PIC S9(8) BINARY.

PROCEDURE DIVISION.
  CALL 'EZASOKET' USING SOC-FUNCTION S OPTNAME
                    OPTVAL OPTLEN ERRNO RETCODE.

```

Figure 136. GETSOCKOPT call instruction example

For equivalent PL/I and assembler language declarations, see [“Converting parameter descriptions”](#) on page 205.

Parameter values set by the application for the GETSOCKOPT call

SOC-FUNCTION

A 16-byte character field containing GETSOCKOPT. The field is left-aligned and padded on the right with blanks.

S

A halfword binary number specifying the socket descriptor for the socket requiring options.

OPTNAME

Input parameter. Set OPTNAME to the required option before you issue GETSOCKOPT. See [“Parameter values returned to the application for the GETSOCKOPT call”](#) on page 243 for a list of the options and their unique requirements. See Appendix C, [“GETSOCKOPT/SETSOCKOPT command values,”](#) on page 397 for the numeric values of OPTNAME.

Note: COBOL programs cannot contain field names with the underscore character. Fields representing the option name should contain dashes instead.

Parameter values returned to the application for the GETSOCKOPT call

OPTVAL

Output parameter. Contains the status of the specified option. See the table in this topic for a list of the options and their unique requirements

OPTLEN

Output parameter. A fullword binary field containing the length of the data returned in OPTVAL. See the table in this topic for how to determine the value of OPTLEN.

ERRNO

A fullword binary field. If RETCODE is negative, the field contains an error number. See [Appendix B, "Return codes,"](#) on page 381 for information about ERRNO return codes.

RETCODE

A fullword binary field that returns one of the following:

Value**Description****0**

Successful call.

-1

Check ERRNO for an error code.

Table 21. OPTNAME options for GETSOCKOPT and SETSOCKOPT

OPTNAME options (input)	SETSOCKOPT, OPTVAL (input)	GETSOCKOPT, OPTVAL (output)
<p>IP_ADD_MEMBERSHIP</p> <p>Use this option to enable an application to join a multicast group on a specific interface. An interface has to be specified with this option. Only applications that want to receive multicast datagrams need to join multicast groups.</p> <p>This is an IPv4-only socket option.</p>	<p>Contains the IP_MREQ structure as defined in SYS1.MACLIB(BPXYSOCK). The IP_MREQ structure contains a 4-byte IPv4 multicast address followed by a 4-byte IPv4 interface address.</p> <p>See SEZAINST(CBLOCK) for the PL/I example of IP_MREQ.</p> <p>See SEZAINST(EZACOBOL) for the COBOL example of IP_MREQ.</p>	N/A
<p>IP_ADD_SOURCE_MEMBERSHIP</p> <p>Use this option to enable an application to join a source multicast group on a specific interface and a specific source address. You must specify an interface and a source address with this option. Applications that want to receive multicast datagrams need to join source multicast groups.</p> <p>This is an IPv4-only socket option.</p>	<p>Contains the IP_MREQ_SOURCE structure as defined in SYS1.MACLIB(BPXYSOCK). The IP_MREQ_SOURCE structure contains a 4-byte IPv4 multicast address followed by a 4-byte IPv4 source address and a 4-byte IPv4 interface address.</p> <p>See SEZAINST(CBLOCK) for the PL/I example of IP_MREQ_SOURCE.</p> <p>See SEZAINST(EZACOBOL) for the COBOL example of IP_MREQ-SOURCE.</p>	N/A

Table 21. OPTNAME options for GETSOCKOPT and SETSOCKOPT (continued)

OPTNAME options (input)	SETSOCKOPT, OPTVAL (input)	GETSOCKOPT, OPTVAL (output)
<p>IP_BLOCK_SOURCE</p> <p>Use this option to enable an application to block multicast packets that have a source address that matches the given IPv4 source address. You must specify an interface and a source address with this option. The specified multicast group must have been joined previously.</p> <p>This is an IPv4-only socket option.</p>	<p>Contains the IP_MREQ_SOURCE structure as defined in SYS1.MACLIB(BPXYSOCK). The IP_MREQ_SOURCE structure contains a 4-byte IPv4 multicast address followed by a 4-byte IPv4 source address and a 4-byte IPv4 interface address.</p> <p>See SEZAINST(CBLOCK) for the PL/I example of IP_MREQ_SOURCE.</p> <p>See SEZAINST(EZACOBOL) for the COBOL example of IP-MREQ-SOURCE.</p>	<p>N/A</p>
<p>IP_DROP_MEMBERSHIP</p> <p>Use this option to enable an application to exit a multicast group or to exit all sources for a multicast group.</p> <p>This is an IPv4-only socket option.</p>	<p>Contains the IP_MREQ structure as defined in SYS1.MACLIB(BPXYSOCK). The IP_MREQ structure contains a 4-byte IPv4 multicast address followed by a 4-byte IPv4 interface address.</p> <p>See SEZAINST(CBLOCK) for the PL/I example of IP_MREQ.</p> <p>See SEZAINST(EZACOBOL) for the COBOL example of IP-MREQ.</p>	<p>N/A</p>
<p>IP_DROP_SOURCE_MEMBERSHIP</p> <p>Use this option to enable an application to exit a source multicast group.</p> <p>This is an IPv4-only socket option.</p>	<p>Contains the IP_MREQ_SOURCE structure as defined in SYS1.MACLIB(BPXYSOCK). The IP_MREQ_SOURCE structure contains a 4-byte IPv4 multicast address followed by a 4-byte IPv4 source address and a 4-byte IPv4 interface address.</p> <p>See SEZAINST(CBLOCK) for the PL/I example of IP_MREQ_SOURCE.</p> <p>See SEZAINST(EZACOBOL) for the COBOL example of IP-MREQ-SOURCE.</p>	<p>N/A</p>

Table 21. OPTNAME options for GETSOCKOPT and SETSOCKOPT (continued)

OPTNAME options (input)	SETSOCKOPT, OPTVAL (input)	GETSOCKOPT, OPTVAL (output)
<p>IP_MULTICAST_IF</p> <p>Use this option to set or obtain the IPv4 interface address used for sending outbound multicast datagrams from the socket application.</p> <p>This is an IPv4-only socket option.</p> <p>Note: Multicast datagrams can be transmitted only on one interface at a time.</p>	<p>A 4-byte binary field containing an IPv4 interface address.</p>	<p>A 4-byte binary field containing an IPv4 interface address.</p>
<p>IP_MULTICAST_LOOP</p> <p>Use this option to control or determine whether a copy of multicast datagrams are looped back for multicast datagrams sent to a group to which the sending host itself belongs. The default is to loop the datagrams back.</p> <p>This is an IPv4-only socket option.</p>	<p>A 1-byte binary field.</p> <p>To enable, set to 1.</p> <p>To disable, set to 0.</p>	<p>A 1-byte binary field.</p> <p>If enabled, will contain a 1.</p> <p>If disabled, will contain a 0.</p>
<p>IP_MULTICAST_TTL</p> <p>Use this option to set or obtain the IP time-to-live of outgoing multicast datagrams. The default value is '01'x meaning that multicast is available only to the local subnet.</p> <p>This is an IPv4-only socket option.</p>	<p>A 1-byte binary field containing the value of '00'x to 'FF'x.</p>	<p>A 1-byte binary field containing the value of '00'x to 'FF'x.</p>
<p>IP_UNBLOCK_SOURCE</p> <p>Use this option to enable an application to unblock a previously blocked source for a given IPv4 multicast group. You must specify an interface and a source address with this option.</p> <p>This is an IPv4-only socket option.</p>	<p>Contains the IP_MREQ_SOURCE structure as defined in SYS1.MACLIB(BPXYSOCK). The IP_MREQ_SOURCE structure contains a 4-byte IPv4 multicast address followed by a 4-byte IPv4 source address and a 4-byte IPv4 interface address.</p> <p>See SEZAINST(CBLOCK) for the PL/I example of IP_MREQ_SOURCE.</p> <p>See SEZAINST(EZACOBOL) for the COBOL example of IP-MREQ-SOURCE.</p>	

Table 21. OPTNAME options for GETSOCKOPT and SETSOCKOPT (continued)

OPTNAME options (input)	SETSOCKOPT, OPTVAL (input)	GETSOCKOPT, OPTVAL (output)
<p>IPV6_ADDR_PREFERENCES</p> <p>Use this option to query or set IPv6 address preferences of a socket. The default source address selection algorithm considers these preferences when it selects an IP address that is appropriate to communicate with a given destination address.</p> <p>This is an AF_INET6-only socket option.</p> <p>Result: These flags are only preferences. The stack could assign a source IP address that does not conform to the IPV6_ADDR_PREFERENCES flags that you specify.</p> <p>Guideline: Use the INET6_IS_SRCADDR function to test whether the source IP address matches one or more IPV6_ADDR_PREFERENCES flags.</p>	<p>Contains the 4-byte flags field IPV6_ADDR_PREFERENCES_FLAGS that is defined in SYS1.MACLIB(BPXYSOCK) with the following flags:</p> <p>IPV6_PREFER_SRC_HOME (X'00000001') Prefer home address</p> <p>IPV6_PREFER_SRC_COA (X'00000002') Prefer care-of address</p> <p>IPV6_PREFER_SRC_TMP (X'00000004') Prefer temporary address</p> <p>IPV6_PREFER_SRC_PUBLIC (X'00000008') Prefer public address</p> <p>IPV6_PREFER_SRC_CGA (X'00000010') Prefer cryptographically generated address</p> <p>IPV6_PREFER_SRC_NONCGA (X'00000020') Prefer non-cryptographically generated address</p> <p>Some of these flags are contradictory. Combining contradictory flags, such as IPV6_PREFER_SRC_CGA and IPV6_PREFER_SRC_NONCGA, results in error code EINVAL.</p> <p>See IPV6_ADDR_PREFERENCES and Mapping of GAI_HINTS/GAI_ADDRINFO EFLAGS in SEZAINST(CBLOCK) for the PL/I example of the OPTNAME and flag definitions.</p> <p>See IPV6_ADDR_PREFERENCES and AI_EFLAGS mappings in SEZAINST(EZACOBOL) for the COBOL example of the OPTNAME and flag definitions.</p>	<p>Contains the 4-byte flags field IPV6_ADDR_PREFERENCES_FLAGS that is defined in SYS1.MACLIB(BPXYSOCK) with the following flags:</p> <p>IPV6_PREFER_SRC_HOME (X'00000001') Prefer home address</p> <p>IPV6_PREFER_SRC_COA (X'00000002') Prefer care-of address</p> <p>IPV6_PREFER_SRC_TMP (X'00000004') Prefer temporary address</p> <p>IPV6_PREFER_SRC_PUBLIC (X'00000008') Prefer public address</p> <p>IPV6_PREFER_SRC_CGA (X'00000010') Prefer cryptographically generated address</p> <p>IPV6_PREFER_SRC_NONCGA (X'00000020') Prefer non-cryptographically generated address</p> <p>See IPV6_ADDR_PREFERENCES and Mapping of GAI_HINTS/GAI_ADDRINFO EFLAGS in SEZAINST(CBLOCK) for the PL/I example of the OPTNAME and flag definitions.</p> <p>See IPV6_ADDR_PREFERENCES and AI_EFLAGS mappings in SEZAINST(EZACOBOL) for the COBOL example of the OPTNAME and flag definitions.</p>

Table 21. OPTNAME options for GETSOCKOPT and SETSOCKOPT (continued)

OPTNAME options (input)	SETSOCKOPT, OPTVAL (input)	GETSOCKOPT, OPTVAL (output)
<p>IPV6_JOIN_GROUP</p> <p>Use this option to control the reception of multicast packets and specify that the socket join a multicast group.</p> <p>This is an IPv6-only socket option.</p>	<p>Contains the IPV6_MREQ structure as defined in SYS1.MACLIB(BPXYSOCK). The IPV6_MREQ structure contains a 16-byte IPv6 multicast address followed by a 4-byte IPv6 interface index number.</p> <p>If the interface index number is 0, then the stack chooses the local interface.</p> <p>See the SEZAINST(CBLOCK) for the PL/I example of IPV6_MREQ.</p> <p>See SEZAINST(EZACOBOL) for the COBOL example of IPV6_MREQ.</p>	<p>N/A</p>
<p>IPV6_LEAVE_GROUP</p> <p>Use this option to control the reception of multicast packets and specify that the socket leave a multicast group.</p> <p>This is an IPv6-only socket option.</p>	<p>Contains the IPV6_MREQ structure as defined in SYS1.MACLIB(BPXYSOCK). The IPV6_MREQ structure contains a 16-byte IPv6 multicast address followed by a 4-byte IPv6 interface index number.</p> <p>If the interface index number is 0, then the stack chooses the local interface.</p> <p>See the SEZAINST(CBLOCK) for the PL/I example of IPV6_MREQ.</p> <p>See SEZAINST(EZACOBOL) for the COBOL example of IPV6_MREQ.</p>	<p>N/A</p>
<p>IPV6_MULTICAST_HOPS</p> <p>Use to set or obtain the hop limit used for outgoing multicast packets.</p> <p>This is an IPv6-only socket option.</p>	<p>Contains a 4-byte binary value specifying the multicast hops. If not specified, then the default is 1 hop.</p> <p>-1 indicates use stack default.</p> <p>0 – 255 is the valid hop limit range.</p> <p>Note: An application must be APF authorized to enable it to set the hop limit value above the system defined hop limit value. CICS applications cannot execute as APF authorized.</p>	<p>Contains a 4-byte binary value in the range 0 – 255 indicating the number of multicast hops.</p>

Table 21. OPTNAME options for GETSOCKOPT and SETSOCKOPT (continued)

OPTNAME options (input)	SETSOCKOPT, OPTVAL (input)	GETSOCKOPT, OPTVAL (output)
<p>IPV6_MULTICAST_IF</p> <p>Use this option to set or obtain the index of the IPv6 interface used for sending outbound multicast datagrams from the socket application.</p> <p>This is an IPv6-only socket option.</p>	<p>Contains a 4-byte binary field containing an IPv6 interface index number.</p>	<p>Contains a 4-byte binary field containing an IPv6 interface index number.</p>
<p>IPV6_MULTICAST_LOOP</p> <p>Use this option to control or determine whether a multicast datagram is looped back on the outgoing interface by the IP layer for local delivery when datagrams are sent to a group to which the sending host itself belongs. The default is to loop multicast datagrams back.</p> <p>This is an IPv6-only socket option.</p>	<p>A 4-byte binary field.</p> <p>To enable, set to 1.</p> <p>To disable, set to 0.</p>	<p>A 4-byte binary field.</p> <p>If enabled, contains a 1.</p> <p>If disabled, contains a 0.</p>
<p>IPV6_UNICAST_HOPS</p> <p>Use this option to set or obtain the hop limit used for outgoing unicast IPv6 packets.</p> <p>This is an IPv6-only socket option.</p>	<p>Contains a 4-byte binary value specifying the unicast hops. If not specified, then the default is 1 hop.</p> <p>-1 indicates use stack default.</p> <p>0 – 255 is the valid hop limit range.</p> <p>Note: APF authorized applications are permitted to set a hop limit that exceeds the system configured default. CICS applications cannot execute as APF authorized.</p>	<p>Contains a 4-byte binary value in the range 0 – 255 indicating the number of unicast hops.</p>
<p>IPV6_V6ONLY</p> <p>Use this option to set or determine whether the socket is restricted to send and receive only IPv6 packets. The default is to not restrict the sending and receiving of only IPv6 packets.</p> <p>This is an IPv6-only socket option.</p>	<p>A 4-byte binary field.</p> <p>To enable, set to 1.</p> <p>To disable, set to 0.</p>	<p>A 4-byte binary field.</p> <p>If enabled, contains a 1.</p> <p>If disabled, contains a 0.</p>

Table 21. OPTNAME options for GETSOCKOPT and SETSOCKOPT (continued)

OPTNAME options (input)	SETSOCKOPT, OPTVAL (input)	GETSOCKOPT, OPTVAL (output)
<p>MCAST_BLOCK_SOURCE</p> <p>Use this option to enable an application to block multicast packets that have a source address that matches the given source address. You must specify an interface index and a source address with this option. The specified multicast group must have been joined previously.</p>	<p>Contains the GROUP_SOURCE_REQ structure as defined in SYS1.MACLIB(BPXYSOCK). The GROUP_SOURCE_REQ structure contains a 4-byte interface index number followed by a socket address structure of the multicast address and a socket address structure of the source address.</p> <p>See SEZAINST(CBLOCK) for the PL/I example of GROUP_SOURCE_REQ.</p> <p>See SEZAINST(EZACOBOL) for the COBOL example of GROUP-SOURCE-REQ.</p>	<p>N/A</p>
<p>MCAST_JOIN_GROUP</p> <p>Use this option to enable an application to join a multicast group on a specific interface. You must specify an interface index. Applications that want to receive multicast datagrams must join multicast groups.</p>	<p>Contains the GROUP_REQ structure as defined in SYS1.MACLIB(BPXYSOCK). The GROUP_REQ structure contains a 4-byte interface index number followed by a socket address structure of the multicast address.</p> <p>See SEZAINST(CBLOCK) for the PL/I example of GROUP_REQ.</p> <p>See SEZAINST(EZACOBOL) for the COBOL example of GROUP-REQ.</p>	<p>N/A</p>
<p>MCAST_JOIN_SOURCE_GROUP</p> <p>Use this option to enable an application to join a source multicast group on a specific interface and a source address. You must specify an interface index and the source address. Applications that want to receive multicast datagrams only from specific source addresses need to join source multicast groups.</p>	<p>Contains the GROUP_SOURCE_REQ structure as defined in SYS1.MACLIB(BPXYSOCK). The GROUP_SOURCE_REQ structure contains a 4-byte interface index number followed by a socket address structure of the multicast address and a socket address structure of the source address.</p> <p>See SEZAINST(CBLOCK) for the PL/I example of GROUP_SOURCE_REQ.</p> <p>See SEZAINST(EZACOBOL) for the COBOL example of GROUP-SOURCE-REQ.</p>	<p>N/A</p>

Table 21. OPTNAME options for GETSOCKOPT and SETSOCKOPT (continued)

OPTNAME options (input)	SETSOCKOPT, OPTVAL (input)	GETSOCKOPT, OPTVAL (output)
<p>MCAST_LEAVE_GROUP</p> <p>Use this option to enable an application to exit a multicast group or exit all sources for a given multicast groups.</p>	<p>Contains the GROUP_REQ structure as defined in SYS1.MACLIB(BPXYSOCK). The GROUP_REQ structure contains a 4-byte interface index number followed by a socket address structure of the multicast address.</p> <p>See SEZAINST(CBLOCK) for the PL/I example of GROUP_REQ.</p> <p>See SEZAINST(EZACOBOL) for the COBOL example of GROUP_REQ.</p>	<p>N/A</p>
<p>MCAST_LEAVE_SOURCE_GROUP</p> <p>Use this option to enable an application to exit a source multicast group.</p>	<p>Contains the GROUP_SOURCE_REQ structure as defined in SYS1.MACLIB(BPXYSOCK). The GROUP_SOURCE_REQ structure contains a 4-byte interface index number followed by a socket address structure of the multicast address and a socket address structure of the source address.</p> <p>See SEZAINST(CBLOCK) for the PL/I example of GROUP_SOURCE_REQ.</p> <p>See SEZAINST(EZACOBOL) for the COBOL example of GROUP_SOURCE_REQ.</p>	<p>N/A</p>
<p>MCAST_UNBLOCK_SOURCE</p> <p>Use this option to enable an application to unblock a previously blocked source for a given multicast group. You must specify an interface index and a source address with this option.</p>	<p>Contains the GROUP_SOURCE_REQ structure as defined in SYS1.MACLIB(BPXYSOCK). The GROUP_SOURCE_REQ structure contains a 4-byte interface index number followed by a socket address structure of the multicast address and a socket address structure of the source address.</p> <p>See SEZAINST(CBLOCK) for the PL/I example of GROUP_SOURCE_REQ.</p> <p>See SEZAINST(EZACOBOL) for the COBOL example of GROUP_SOURCE_REQ.</p>	<p>N/A</p>

Table 21. OPTNAME options for GETSOCKOPT and SETSOCKOPT (continued)

OPTNAME options (input)	SETSOCKOPT, OPTVAL (input)	GETSOCKOPT, OPTVAL (output)
<p>SO_ASCII</p> <p>Use this option to set or determine the translation to ASCII data option. When SO_ASCII is set, data is translated to ASCII. When SO_ASCII is not set, data is not translated to or from ASCII.</p> <p>Note: This is a REXX-only socket option.</p>	<p>To enable, set to ON.</p> <p>To disable, set to OFF.</p> <p>Note: The <i>optvalue</i> is returned and is optionally followed by the name of the translation table that is used if translation is applied to the data.</p>	<p>If enabled, contains ON.</p> <p>If disabled, contains OFF.</p> <p>Note: The <i>optvalue</i> is returned and is optionally followed by the name of the translation table that is used if translation is applied to the data.</p>
<p>SO_BROADCAST</p> <p>Use this option to set or determine whether a program can send broadcast messages over the socket to destinations that can receive datagram messages. The default is disabled.</p> <p>Note: This option has no meaning for stream sockets.</p>	<p>A 4-byte binary field.</p> <p>To enable, set to 1 or a positive value.</p> <p>To disable, set to 0.</p>	<p>A 4-byte field.</p> <p>If enabled, contains a 1.</p> <p>If disabled, contains a 0.</p>
<p>SO_DEBUG</p> <p>Use SO_DEBUG to set or determine the status of the debug option. The default is <i>disabled</i>. The debug option controls the recording of debug information.</p> <p>Note:</p> <ol style="list-style-type: none"> 1. This is a REXX-only socket option. 2. This option has meaning only for stream sockets. 	<p>To enable, set to ON.</p> <p>To disable, set to OFF.</p>	<p>If enabled, contains ON.</p> <p>If disabled, contains OFF.</p>
<p>SO_EBCDIC</p> <p>Use this option to set or determine the translation to EBCDIC data option. When SO_EBCDIC is set, data is translated to EBCDIC. When SO_EBCDIC is not set, data is not translated to or from EBCDIC. This option is ignored by EBCDIC hosts.</p> <p>Note: This is a REXX-only socket option.</p>	<p>To enable, set to ON.</p> <p>To disable, set to OFF.</p> <p>Note: The <i>optvalue</i> is returned and is optionally followed by the name of the translation table that is used if translation is applied to the data.</p>	<p>If enabled, contains ON.</p> <p>If disabled, contains OFF.</p> <p>Note: The <i>optvalue</i> is returned and is optionally followed by the name of the translation table that is used if translation is applied to the data.</p>
<p>SO_ERROR</p> <p>Use this option to request pending errors on the socket or to check for asynchronous errors on connected datagram sockets or for other errors that are not explicitly returned by one of the socket calls. The error status is clear afterwards.</p>	<p>N/A</p>	<p>A 4-byte binary field containing the most recent ERRNO for the socket.</p>

Table 21. OPTNAME options for GETSOCKOPT and SETSOCKOPT (continued)

OPTNAME options (input)	SETSOCKOPT, OPTVAL (input)	GETSOCKOPT, OPTVAL (output)
<p>SO_KEEPALIVE</p> <p>Use this option to set or determine whether the keep alive mechanism periodically sends a packet on an otherwise idle connection for a stream socket.</p> <p>The default is disabled.</p> <p>When activated, the keep alive mechanism periodically sends a packet on an otherwise idle connection. If the remote TCP does not respond to the packet or to retransmissions of the packet, the connection is terminated with the error ETIMEDOUT.</p>	<p>A 4-byte binary field.</p> <p>To enable, set to 1 or a positive value.</p> <p>To disable, set to 0.</p>	<p>A 4-byte binary field.</p> <p>If enabled, contains a 1.</p> <p>If disabled, contains a 0.</p>
<p>SO_LINGER</p> <p>Use this option to control or determine how TCP/IP processes data that has not been transmitted when a CLOSE is issued for the socket. The default is disabled.</p> <p>Note:</p> <ol style="list-style-type: none"> 1. This option has meaning only for stream sockets. 2. If you set a zero linger time, the connection cannot close in an orderly manner, but stops, resulting in a RESET segment being sent to the connection partner. Also, if the aborting socket is in nonblocking mode, the close call is treated as though no linger option had been set. <p>When SO_LINGER is set and CLOSE is called, the calling program is blocked until the data is successfully transmitted or the connection has timed out.</p> <p>When SO_LINGER is not set, the CLOSE returns without blocking the caller, and TCP/IP continues to attempt to send data for a specified time. This usually allows sufficient time to complete the data transfer.</p> <p>Use of the SO_LINGER option does not guarantee successful completion because TCP/IP waits only the amount of time specified in OPTVAL for SO_LINGER.</p>	<p>Contains an 8-byte field containing two 4-byte binary fields.</p> <p>Assembler coding:</p> <pre>ONOFF DS F LINGER DS F</pre> <p>COBOL coding:</p> <pre>ONOFF PIC 9(8) BINARY. LINGER PIC 9(8) BINARY.</pre> <p>Set ONOFF to a nonzero value to enable and set to 0 to disable this option. Set LINGER to the number of seconds that TCP/IP lingers after the CLOSE is issued.</p>	<p>Contains an 8-byte field containing two 4-byte binary fields.</p> <p>Assembler coding:</p> <pre>ONOFF DS F LINGER DS F</pre> <p>COBOL coding:</p> <pre>ONOFF PIC 9(8) BINARY. LINGER PIC 9(8) BINARY.</pre> <p>A nonzero value returned in ONOFF indicates enabled, a 0 indicates disabled. LINGER indicates the number of seconds that TCP/IP will try to send data after the CLOSE is issued.</p>

Table 21. OPTNAME options for GETSOCKOPT and SETSOCKOPT (continued)

OPTNAME options (input)	SETSOCKOPT, OPTVAL (input)	GETSOCKOPT, OPTVAL (output)
<p>SO_OOBLINE</p> <p>Use this option to control or determine whether out-of-band data is received.</p> <p>Note: This option has meaning only for stream sockets.</p> <p>When this option is set, out-of-band data is placed in the normal data input queue as it is received and is available to a RECV or a RECVFROM even if the OOB flag is not set in the RECV or the RECVFROM.</p> <p>When this option is disabled, out-of-band data is placed in the priority data input queue as it is received and is available to a RECV or a RECVFROM only when the OOB flag is set in the RECV or the RECVFROM.</p>	<p>A 4-byte binary field.</p> <p>To enable, set to 1 or a positive value.</p> <p>To disable, set to 0.</p>	<p>A 4-byte binary field.</p> <p>If enabled, contains a 1.</p> <p>If disabled, contains a 0.</p>
<p>SO_RCVBUF</p> <p>Use this option to control or determine the size of the data portion of the TCP/IP receive buffer.</p> <p>The size of the data portion of the receive buffer is protocol-specific, based on the following values prior to any SETSOCKOPT call:</p> <ul style="list-style-type: none"> • TCPRCVBufsize keyword on the TCPCONFIG statement in the PROFILE.TCPIP data set for a TCP Socket • UDPRCVBufsize keyword on the UDPCONFIG statement in the PROFILE.TCPIP data set for a UDP Socket • The default of 65 535 for a raw socket 	<p>A 4-byte binary field.</p> <p>To enable, set to a positive value specifying the size of the data portion of the TCP/IP receive buffer.</p> <p>To disable, set to a 0.</p>	<p>A 4-byte binary field.</p> <p>If enabled, contains a positive value indicating the size of the data portion of the TCP/IP receive buffer.</p> <p>If disabled, contains a 0.</p>

Table 21. OPTNAME options for GETSOCKOPT and SETSOCKOPT (continued)

OPTNAME options (input)	SETSOCKOPT, OPTVAL (input)	GETSOCKOPT, OPTVAL (output)
<p>SO_RCVTIMEO</p> <p>Use this option to control or determine the maximum length of time that a receive-type function can wait before it completes.</p> <p>If a receive-type function has blocked for the maximum length of time that was specified without receiving data, control is returned with an errno set to EWOULDBLOCK. The default value for this option is 0, which indicates that a receive-type function does not time out.</p> <p>When the MSG_WAITALL flag (stream sockets only) is specified, the timeout takes precedence. The receive-type function can return the partial count. See the explanation of that operation's MSG_WAITALL flag parameter.</p> <p>The following receive-type functions are supported:</p> <ul style="list-style-type: none"> • READ • READV • RECV • RECVFROM • RECVMMSG 	<p>This option requires a TIMEVAL structure, which is defined in SYS1.MACLIB(BPXRLIM) macro. The TIMEVAL structure contains the number of seconds and microseconds specified as fullword binary numbers. The seconds can be a value in the range 0 - 2678400 (equal to 31 days), and the microseconds can be a value in the range 0 - 1000000 (equal to 1 second). Although TIMEVAL value can be specified using microsecond granularity, the internal TCP/IP timers that are used to implement this function have a granularity of approximately 100 milliseconds.</p>	<p>This option stores a TIMEVAL structure that is defined in the SYS1.MACLIB(BPXRLIM) macro. The TIMEVAL structure contains the number of seconds and microseconds, which are specified as fullword binary numbers. The number of seconds value that is returned is in the range 0 - 2678400 (equal to 31 days). The number of microseconds value that is returned is in the range 0 - 1000000.</p>

Table 21. OPTNAME options for GETSOCKOPT and SETSOCKOPT (continued)

OPTNAME options (input)	SETSOCKOPT, OPTVAL (input)	GETSOCKOPT, OPTVAL (output)
<p>SO_REUSEADDR</p> <p>Use this option to control or determine whether local addresses are reused. The default is disabled. This alters the normal algorithm used with BIND. The normal BIND algorithm allows each Internet address and port combination to be bound only once. If the address and port have been already bound, then a subsequent BIND will fail and result error will be EADDRINUSE.</p> <p>When this option is enabled, the following situations are supported:</p> <ul style="list-style-type: none"> • A server can BIND the same port multiple times as long as every invocation uses a different local IP address and the wildcard address INADDR_ANY is used only one time per port. • A server with active client connections can be restarted and can bind to its port without having to close all of the client connections. • For datagram sockets, multicasting is supported so multiple bind() calls can be made to the same class D address and port number. • If you require multiple servers to BIND to the same port and listen on INADDR_ANY, see the SHAREPORT option on the PORT statement in TCPIP.PROFILE. 	<p>A 4-byte binary field.</p> <p>To enable, set to 1 or a positive value.</p> <p>To disable, set to 0.</p>	<p>A 4-byte binary field.</p> <p>If enabled, contains a 1.</p> <p>If disabled, contains a 0.</p>
<p>SO_SNDBUF</p> <p>Use this option to control or determine the size of the data portion of the TCP/IP send buffer. The size of the TCP/IP send buffer is protocol specific and is based on the following:</p> <ul style="list-style-type: none"> • The TCPSENDBufsize keyword on the TCPCONFIG statement in the PROFILE.TCPIP data set for a TCP socket • The UDPSENDBufsize keyword on the UDPCONFIG statement in the PROFILE.TCPIP data set for a UDP socket • The default of 65 535 for a raw socket 	<p>A 4-byte binary field.</p> <p>To enable, set to a positive value specifying the size of the data portion of the TCP/IP send buffer.</p> <p>To disable, set to a 0.</p>	<p>A 4-byte binary field.</p> <p>If enabled, contains a positive value indicating the size of the data portion of the TCP/IP send buffer.</p> <p>If disabled, contains a 0.</p>

Table 21. OPTNAME options for GETSOCKOPT and SETSOCKOPT (continued)

OPTNAME options (input)	SETSOCKOPT, OPTVAL (input)	GETSOCKOPT, OPTVAL (output)
<p>SO_SNDTIMEO</p> <p>Use this option to control or determine the maximum length of time that a send-type function can remain blocked before it completes.</p> <p>If a send-type function has blocked for this length of time, it returns with a partial count or, if no data is sent, with an errno set to EWOULDBLOCK. The default value for this is 0, which indicates that a send-type function does not time out.</p> <p>For a SETSOCKOPT, the following send-type functions are supported:</p> <ul style="list-style-type: none"> • SEND • SENDMSG • SENDTO • WRITE • WRITEV 	<p>This option requires a TIMEVAL structure, which is defined in the SYS1.MACLIB(BPXYRLIM) macro. The TIMEVAL structure contains the number of seconds and microseconds specified as fullword binary numbers. The seconds value is in the range 0 - 2678400 (equal to 31 days), and the microseconds value is in the range 0 - 1000000 (equal to 1 second). Although the TIMEVAL value can be specified using microsecond granularity, the internal TCP/IP timers that are used to implement this function have a granularity of approximately 100 milliseconds.</p>	<p>This option stores a TIMEVAL structure that is defined in SYS1.MACLIB(BPXYRLIM). The TIMEVAL structure contains the number of seconds and microseconds, which are specified as fullword binary numbers. The number of seconds value that is returned is in the range 0 - 2678400 (equal to 31 days). The microseconds value that is returned is in the range 0 - 1000000.</p>
<p>SO_TYPE</p> <p>Use this option to return the socket type.</p>	<p>N/A</p>	<p>A 4-byte binary field indicating the socket type:</p> <p>X'1' indicates SOCK_STREAM.</p> <p>X'2' indicates SOCK_DGRAM.</p> <p>X'3' indicates SOCK_RAW.</p>
<p>TCP_KEEPAIVE</p> <p>Use this option to set or determine whether a socket-specific timeout value (in seconds) is to be used in place of a configuration-specific value whenever keep alive timing is active for that socket.</p> <p>When activated, the socket-specified timer value remains in effect until respecified by SETSOCKOPT or until the socket is closed. See the z/OS Communications Server: IP Programmer's Guide and Reference for more information about the socket option parameters.</p>	<p>A 4-byte binary field.</p> <p>To enable, set to a value in the range of 1 - 2147460.</p> <p>To disable, set to a value of 0.</p>	<p>A 4-byte binary field.</p> <p>If enabled, contains the specific timer value (in seconds) that is in effect for the given socket.</p> <p>If disabled, contains a 0 indicating keep alive timing is not active.</p>

Table 21. OPTNAME options for GETSOCKOPT and SETSOCKOPT (continued)

OPTNAME options (input)	SETSOCKOPT, OPTVAL (input)	GETSOCKOPT, OPTVAL (output)
<p>TCP_NODELAY</p> <p>Use this option to set or determine whether data sent over the socket is subject to the Nagle algorithm (RFC 896).</p> <p>Under most circumstances, TCP sends data when it is presented. When this option is enabled, TCP will wait to send small amounts of data until the acknowledgment for the previous data sent is received. When this option is disabled, TCP will send small amounts of data even before the acknowledgment for the previous data sent is received.</p> <p>Note: Use the following to set TCP_NODELAY OPTNAME value for COBOL programs:</p> <pre> 01 TCP-NODELAY-VAL PIC 9(10) COMP VALUE 2147483649. 01 TCP-NODELAY-REDEF REDEFINES TCP-NODELAY-VAL. 05 FILLER PIC 9(6) BINARY. 05 TCP-NODELAY PIC 9(8) BINARY. </pre>	<p>A 4-byte binary field.</p> <p>To enable, set to a 0.</p> <p>To disable, set to a 1 or nonzero.</p>	<p>A 4-byte binary field.</p> <p>If enabled, contains a 0.</p> <p>If disabled, contains a 1.</p>

GIVESOCKET call

The GIVESOCKET call is used to pass a socket from one process to another.

UNIX-based platforms use a command called FORK to create a new child process that has the same descriptors as the parent process. You can use this new child process in the same way that you used the parent process.

TCP/IP normally uses GETCLIENTID, GIVESOCKET, and TAKESOCKET calls in the following sequence:

1. A process issues a GETCLIENTID call to get the job name of its region and its MVS subtask identifier. This information is used in a GIVESOCKET call.
2. The process issues a GIVESOCKET call to prepare a socket for use by a child process.
3. The child process issues a TAKESOCKET call to get the socket. The socket now belongs to the child process, and can be used by TCP/IP to communicate with another process.

Note: The TAKESOCKET call returns a new socket descriptor in RETCODE. The child process must use this new socket descriptor for all calls that use this socket. The socket descriptor that was passed to the TAKESOCKET call must not be used.

4. After issuing the GIVESOCKET command, the parent process issues a SELECT command that waits for the child to get the socket.
5. When the child gets the socket, the parent receives an exception condition that releases the SELECT command.
6. The parent process closes the socket.

The original socket descriptor can now be reused by the parent.

Sockets which have been given, but not taken for a period of four days, are closed and are no longer be available for taking. If a select for the socket is outstanding, it is posted.

The following requirements apply to this call:

Requirement	Description
Authorization:	Supervisor state or problem state, any PSW key
Dispatchable unit mode:	Task
Cross memory mode:	PASN = HASN
Amode:	31-bit or 24-bit
ASC mode:	Primary address space control (ASC) mode
Interrupt status:	Enabled for interrupts
Locks:	Unlocked
Control parameters:	All parameters must be addressable by the caller and in the primary address space

Figure 137 on page 259 shows an example of GIVESOCKET call instructions.

```

WORKING-STORAGE SECTION.
  01 SOC-FUNCTION PIC X(16) VALUE IS 'GIVESOCKET'.
  01 S PIC 9(4) BINARY.
  01 CLIENT.
    03 DOMAIN PIC 9(8) BINARY.
    03 NAME PIC X(8).
    03 TASK PIC X(8).
    03 RESERVED PIC X(20).
  01 ERRNO PIC 9(8) BINARY.
  01 RETCODE PIC S9(8) BINARY.

PROCEDURE DIVISION.
  CALL 'EZASOKET' USING SOC-FUNCTION S CLIENT ERRNO RETCODE.

```

Figure 137. GIVESOCKET call instruction example

For equivalent PL/I and assembler language declarations, see [“Converting parameter descriptions”](#) on page 205.

Parameter values set by the application for the GIVESOCKET call

SOC-FUNCTION

A 16-byte character field containing 'GIVESOCKET'. The field is left-aligned and padded on the right with blanks.

S

A halfword binary number set to the socket descriptor of the socket to be given.

CLIENT

A structure containing the identifier of the application to which the socket should be given.

DOMAIN

A fullword binary number that must be set to a decimal 2, indicating AF_INET, or a decimal 19, indicating AF_INET6.

Rule: A socket given by GIVESOCKET can be taken only by a TAKESOCKET with the same DOMAIN, address family (such as, AF_INET or AF_INET6).

NAME

Specifies an 8-character field, left-aligned, padded to the right with blanks, that can be set to the name of the MVS address space that contains the application that is going to take the socket.

- If the socket-taking application is in the same address space as the socket-giving application (as in CICS), NAME can be specified. The socket-giving application can determine its own address space name by issuing the GETCLIENTID call.

- If the socket-taking application is in a different MVS address space (as in IMS), this field should be set to blanks. When this is done, any MVS address space that requests the socket can have it.

TASK

Specifies an 8-character field that can be set to blanks, or to the identifier of the socket-taking MVS subtask. If this field is set to blanks, any subtask in the address space specified in the NAME field can take the socket.

- If used by CICS IP sockets, the field should be set to blanks.
- If TASK identifier is nonblank, the socket-receiving task should already be in execution when the GIVESOCKET is issued.

RESERVED

A 20-byte reserved field. This field is required, but not used.

Parameter values returned to the application for the GIVESOCKET call

ERRNO

A fullword binary field. If RETCODE is negative, the field contains an error number. See [Appendix B, “Return codes,”](#) on page 381 for information about ERRNO return codes.

RETCODE

A fullword binary field that returns one of the following:

Value

Description

0

Successful call

-1

Check ERRNO for an error code

INET6_IS_SRCADDR call

The INET6_IS_SRCADDR call tests whether the input IP address matches an IP address in the node that conforms to all IPV6_ADDR_PREFERENCES flags specified in the call. You can use this call with IPv6 addresses or with IPv4-mapped IPv6 addresses.

You can use this call to test local IP addresses to verify that these addresses have the characteristics required by your application.

Tip: See RFC 5014 *IPv6 Socket API for Source Address Selection* for more information about the INET6_IS_SRCADDR call. See [Appendix F, “Related protocol specifications,”](#) on page 559 for information about accessing RFCs.

The following requirements apply to this call:

Requirement	Description
Authorization:	Supervisor state or problem state, any PSW key
Dispatchable unit mode:	Task
Cross memory mode:	PASN = HASN
Amode:	31-bit or 24-bit
ASC mode:	Primary address space control (ASC) mode
Interrupt status:	Enabled for interrupts
Locks:	Unlocked
Control parameters:	All parameters must be addressable by the caller and in the primary address space

Figure 138 on page 261 shows an example of INET6_IS_SRCADDR call instructions.

```
WORKING-STORAGE SECTION.
  01 SOC-FUNCTION      PIC X(16) VALUE IS 'INET6_IS_SRCADDR'.
  * IPv6 socket address structure.
  01 NAME.
    03 FAMILY          PIC 9(4) BINARY.
    03 PORT            PIC 9(4) BINARY.
    03 FLOWINFO        PIC 9(8) BINARY.
    03 IP-ADDRESS.
      10 FILLER        PIC 9(16) BINARY.
      10 FILLER        PIC 9(16) BINARY.
    03 SCOPE-ID        PIC 9(8) BINARY.
  01 FLAGS             PIC 9(8) BINARY
    88 IPV6-PREFER-SRC-HOME          PIC 9(8) BINARY VALUE 1.
    88 IPV6-PREFER-SRC-COA           PIC 9(8) BINARY VALUE 2.
    88 IPV6-PREFER-SRC-TMP           PIC 9(8) BINARY VALUE 4.
    88 IPV6-PREFER-SRC-PUBLIC         PIC 9(8) BINARY VALUE 8.
    88 IPV6-PREFER-SRC-CGA           PIC 9(8) BINARY VALUE 16.
    88 IPV6-PREFER-SRC-NONCGA        PIC 9(8) BINARY VALUE 32.
  01 ERRNO             PIC 9(8) BINARY.
  01 RETCODE           PIC S9(8) BINARY.

PROCEDURE DIVISION.
  CALL 'EZASOKET' USING SOC-FUNCTION NAME FLAGS ERRNO RETCODE.
```

Figure 138. INET6_IS_SRCADDR call instruction example

For equivalent PL/I and assembler language declarations, see [“Converting parameter descriptions”](#) on page 205.

Parameter values set by the application

SOC-FUNCTION

A 16-byte character field containing INET6_IS_SRCADDR.

NAME

Specifies the AF_INET6 socket address structure for the address that is to be tested.

Requirement: You must specify an AF_INET6 address. You can specify an IPv6 address or an IPv4-mapped IPv6 address.

The IPv6 socket address structure specifies the following fields:

Field

Description

FAMILY

A halfword binary field specifying the IPv6 addressing family. For TCP/IP, the value is decimal 19, indicating AF_INET6.

PORT

A halfword binary field. This field is ignored by INET6_IS_SRCADDR processing.

FLOWINFO

A fullword binary field specifying the traffic class and flow label. This field is ignored by INET6_IS_SRCADDR processing.

IP-ADDRESS

A 16-byte binary field that is set to the 128-bit IPv6 Internet address (network byte order) of the IP address to be tested.

Rule: Specify an IPv4 address by using its IPv4-mapped IPv6 address format.

SCOPE-ID

A fullword binary field which identifies a set of interfaces as appropriate for the scope of the address carried in the IPv6-ADDRESS field. The value 0 indicates that the SCOPE-ID field does not identify the set of interfaces to be used.

Requirements:

- If the IP address is a link-local address, this field must be set to a nonzero value.

- If the IP address is not a link-local address, this field must be set to 0.

FLAGS

A fullword binary field containing one or more IPV6_ADDR_PREFERENCES flags. The following table defines the valid IPV6_ADDR_PREFERENCES flags.

Flag name	Binary value	Decimal value	Description
IPV6-PREFER-SRC-HOME	x'00000001'	1	Test whether the input IP address is a home address. ¹
IPV6-PREFER-SRC-COA	x'00000002'	2	Test whether the input IP address is a care-of address. ²
IPV6-PREFER-SRC-TMP	x'00000004'	4	Test whether the input IP address is a temporary address.
IPV6-PREFER-SRC-PUBLIC	x'00000008'	8	Test whether the input IP address is a public address.
IPV6-PREFER-SRC-CGA	x'00000010'	16	Test whether the input IP address is cryptographically generated. ²
IPV6-PREFER-SRC-NONCGA	x'00000020'	32	Test whether the input IP address is not cryptographically generated. ¹
Note:			
1. Any valid IP address that is known to the stack satisfies this flag.			
2. z/OS Communications Server does not support this type of address. The call always returns FALSE when this flag is specified with a valid IP address that is known to the stack.			

Tips:

- The samples SEZAINST(EZACOBOL) and SEZAINST(CBLOCK) contain mappings for these flags.
- Some of these flags are contradictory. For example:
 - The flag IPV6_PREFER_SRC_HOME contradicts the flag IPV6_PREFER_SRC_COA.
 - The flag IPV6_PREFER_SRC_CGA contradicts the flag IPV6_PREFER_SRC_NONCGA.
 - The flag IPV6_PREFER_SRC_TMP contradicts the flags IPV6_PREFER_SRC_PUBLIC.

Result: If you specify contradictory flags in the call, the result is FALSE.

Parameter values returned to the application

ERRNO

A fullword binary field. If RETCODE is negative, this field contains an error number. See [Appendix F, "Related protocol specifications,"](#) on page 559 for information about ERRNO return codes.

RETCODE

A fullword binary field that is set to one of the following values:

Value**Description****0**

FALSE

The call was successful and the result is FALSE. The input AF_INET6 address corresponds to an IP address on the node, but does not conform to one or more of the IPV6_ADDR_PREFERENCES flags specified in the call.

1

TRUE

The call was successful, and the result is TRUE. The input AF_INET6 address corresponds to an IP address on the node, and conforms to all the IPV6_ADDR_PREFERENCES flags specified in the call.

-1

Check ERRNO for an error code.

INITAPI and INITAPIX calls

The INITAPI and INITAPIX calls connect an application to the TCP/IP interface. The sole difference between INITAPI and INITAPIX is explained in the description of the IDENT parameter. INITAPI is preferred over INITAPIX unless there is a specific need to connect applications to alternate TCP/IP stacks. CICS sockets programs that are written in COBOL, PL/I, or assembler language should issue the INITAPI or INITAPIX macro before they issue other calls to the CICS sockets interface.

If a CICS task's first call to the CICS socket interface is not an INITAPI or INITAPIX, then the CICS socket interface generates a default INITAPI call.

The following requirements apply to this call:

Requirement	Description
Authorization:	Supervisor state or problem state, any PSW key
Dispatchable unit mode:	Task
Cross memory mode:	PASN = HASN
Amode:	31-bit or 24-bit
ASC mode:	Primary address space control (ASC) mode
Interrupt status:	Enabled for interrupts
Locks:	Unlocked
Control parameters:	All parameters must be addressable by the caller and in the primary address space

Figure 139 on page 264 shows an example of INITAPI call instructions. The same example can be used for the INITAPIX call by simply changing the SOC-FUNCTION value to 'INITAPIX'.

```

WORKING-STORAGE SECTION.
  01 SOC-FUNCTION      PIC X(16) VALUE IS 'INITAPI'.
  01 MAXSOC-FWD       PIC 9(8) BINARY.
  01 MAXSOC-RDF REDEFINES MAXSOC-FWD.
     02 FILLER        PIC X(2).
     02 MAXSOC        PIC 9(4) BINARY.
  01 IDENT.
     02 TCPNAME       PIC X(8).
     02 ADSNAME       PIC X(8).
  01 SUBTASK          PIC X(8).
  01 MAXSNO           PIC 9(8) BINARY.
  01 ERRNO            PIC 9(8) BINARY.
  01 RETCODE          PIC S9(8) BINARY.

PROCEDURE DIVISION.
  CALL 'EZASOKET' USING SOC-FUNCTION MAXSOC IDENT SUBTASK
  MAXSNO ERRNO RETCODE.

```

Figure 139. INITAPI call instruction example

For equivalent PL/I and assembler language declarations, see [“Converting parameter descriptions”](#) on page 205.

Parameter values set by the application for the INITAPI and INITAPIX calls

SOC-FUNCTION

A 16-byte character field containing INITAPI or INITAPIX. The field is left justified and padded on the right with blanks.

MAXSOC

A halfword binary field set to the maximum number of sockets this application ever has open at one time. The maximum number is 65535 and the minimum number is 50. This value is used to determine the amount of memory that is allocated for socket control blocks and buffers. If less than 50 are requested, MAXSOC defaults to 50.

IDENT

A 16-byte structure containing the name of the TCP/IP address space (TCPNAME) and the name of calling program's address space (ADSNAME).

The way that the CICS socket interface handles the TCPNAME part of the structure differs between INITAPI and INITAPIX (as explained in the following description of TCPNAME).

TCPNAME

An 8-byte character field which should be set to the MVS jobname of the TCP/IP address space with which you are connecting.

If the function is INITAPI, then the CICS socket interface always overrides this with the value in the TCPADDR configuration parameter. The TCPNAME passed by the application program on an INITAPIX call overrides the TCPADDR value.

ADSNAME

An 8-byte character field set to the identity of the calling program's address space. It is the name of the CICS startup job. The CICS socket interface always overrides this value with VTAM APPLID of the CICS address space. For explicit-mode IMS server programs, use the TIMSrvAddrSpc field passed in the TIM. If ADSNAME is not specified, the system derives a value from the MVS control block structure.

SUBTASK

Indicates an 8-byte field containing a unique subtask identifier that is used to distinguish between multiple subtasks within a single address space. For your subtask name, use the zoned decimal value of the CICS task ID (EIBTASKN), plus a unique displayable character. In CICS, if no value is specified, the zoned-decimal value of the CICS task ID appended with the letter C is used.

Result: Using the letter L as the last character in the subtask parameter causes the tasking mechanism to assume the CICS transaction is a listener and schedule it using a non-reusable subtask by way of MVS attach processing when OTE=NO. This has no effect when OTE=YES.

Parameter values returned to the application for the INITAPI and INITAPIX calls

MAXSNO

A fullword binary field that contains the highest socket number assigned to this application. The lowest socket number is zero. If you have 50 sockets, they are numbered from 0 to 49. If MAXSNO is not specified, the value for MAXSNO is 49.

ERRNO

A fullword binary field. If RETCODE is negative, the field contains an error number. See [Appendix B, "Return codes,"](#) on page 381 for information about ERRNO return codes.

RETCODE

A fullword binary field that returns one of the following:

Value

Description

0

Successful call

-1

Check ERRNO for an error code

IOCTL call

The IOCTL call is used to control certain operating characteristics for a socket.

Before you issue an IOCTL call, you must load a value representing the characteristic that you want to control into the COMMAND field.

The variable length parameters REQARG and RETARG are arguments that are passed to and returned from IOCTL. The length of REQARG and RETARG is determined by the value that you specify in COMMAND. See [Table 22 on page 272](#) for information about REQARG and RETARG.

The following requirements apply to this call:

Requirement	Requirement
Authorization:	Supervisor state or problem state, any PSW key
Dispatchable unit mode:	Task
Cross memory mode:	PASN = HASN
Amode:	31-bit or 24-bit Note: See "Addressability mode (Amode) considerations" under " Environmental restrictions and programming requirements for the Callable Socket API " on page 203.
ASC mode:	Primary address space control (ASC) mode
Interrupt status:	Enabled for interrupts
Locks:	Unlocked
Control parameters:	All parameters must be addressable by the caller and in the primary address space

[Figure 140 on page 266](#) shows an example of IOCTL call instructions.

```

WORKING-STORAGE SECTION.
01 SOKET-FUNCTION          PIC X(16) VALUE 'IOCTL' .
01 S                       PIC 9(4)  BINARY.
01 COMMAND                 PIC 9(4)  BINARY.

01 IFREQ.
05 NAME                   PIC X(16) .
05 FAMILY                 PIC 9(4)  BINARY.
05 PORT                   PIC 9(4)  BINARY.
05 ADDRESS                PIC 9(8)  BINARY.
05 FILLER                 PIC X(8) .

01 IFREQOUT.
05 NAME                   PIC X(16) .
05 FAMILY                 PIC 9(4)  BINARY.
05 PORT                   PIC 9(4)  BINARY.
05 ADDRESS                PIC 9(8)  BINARY.
05 FILLER                 PIC X(8) .

01 GRP-IOCTL-TABLE.
05 IOCTL-ENTRY OCCURS 1 TO max TIMES DEPENDING ON count.
10 NAME                   PIC X(16) .
10 FAMILY                 PIC 9(4)  BINARY.
10 PORT                   PIC 9(4)  BINARY.
10 ADDRESS                PIC 9(8)  BINARY.
10 FILLER                 PIC X(8) .

01 IOCTL-REQARG           USAGE IS POINTER.
01 IOCTL-RETARG          USAGE IS POINTER.
01 ERRNO                 PIC 9(8)  BINARY.
01 RETCODE               PIC 9(8)  BINARY.

PROCEDURE DIVISION.
    CALL 'EZASOKET' USING SOC-FUNCTION S COMMAND REQARG
    RETARG ERRNO RETCODE.

```

Figure 140. IOCTL call instruction example

For equivalent PL/I and assembler language declarations, see [“Converting parameter descriptions” on page 205](#).

Parameter values set by the application for the IOCTL call

SOC-FUNCTION

A 16-byte character field containing IOCTL. The field is left-aligned and padded to the right with blanks.

S

A halfword binary number set to the descriptor of the socket to be controlled.

COMMAND

To control an operating characteristic, set this field to one of the following symbolic names. A value in a bit mask is associated with each symbolic name. By specifying one of these names, you are turning on a bit in a mask that communicates the requested operating characteristic to TCP/IP.

FIONBIO

Sets or clears blocking status.

FIONREAD

Returns the number of immediately readable bytes for the socket.

SIOCGHOMEIF6

Requests all IPv6 home interfaces. When the SIOCGHOMEIF6 IOCTL is issued, the REQARG must contain a Network Configuration Header. The NETCONFHDR is defined in SYS1.MACLIB(BPXYIOC6) for Assembler programs.

To request OSM interfaces the application must have READ authorization to the EZB.OSM.sysname.tcpname resource.

Requirement: The following input fields must be filled out:

NchEyeCatcher

Contains eye catcher '6NCH'.

NchIoctl

Contains the command code.

NchBufferLength

Buffer length large enough to contain all the IPv6 interface records. Each interface record is length of HOME-IF-ADDRESS. If buffer is not large enough, then errno is set to ERANGE and the NchNumEntryRet is set to number of interfaces. Based on NchNumEntryRet and size of HOME-IF-ADDRESS, calculate the necessary storage to contain the entire list.

NchBufferPtr

This is a pointer to an array of HOME-IF structures returned on a successful call. The size depends on the number of qualifying interfaces returned.

NchNumEntryRet

If return code is zero, this is set to number of HOME-IF-ADDRESS returned. If errno is ERANGE, then this is set to number of qualifying interfaces. No interfaces are returned. Recalculate the NchBufferLength based on this value times the size of HOME-IF-ADDRESS.

```

Working-Storage Section.

01 SIOCGHOMEIF6 PIC X(4) VALUE X'C014F608'.

Linkage Section.

01 L1.
   03 NetConfHdr.
       05 NchEyeCatcher           pic x(4).
       05 NchIoctl                pic 9(8) binary.
       05 NchBufferLength         pic 9(8) binary.
       05 NchBufferPtr            usage is pointer.
       05 NchNumEntryRet         pic 9(8) binary.

* Allocate storage based on your need.
   03 Allocated-Storage          pic x(nn).

Procedure Division using L1.

   move '6NCH' to NchEyeCatcher.
   set NchBufferPtr to address of Allocated-Storage.
*
* Set NchBufferLength to the length of your allocated storage.
*
   move nn to NchBufferLength.
   move SIOCGHOMEIF6 to NchIoctl.
   Call 'EZASOKET' using socket-ioctl socket-descriptor
   SIOCGHOMEIF6
   NETCONFHDR NETCONFHDR
   errno retcode.

```

Figure 141. COBOL language example for SIOCGHOMEIF6

REQARG and RETARG

Point to the arguments that are passed between the calling program and IOCTL. The length of the argument is determined by the COMMAND request. REQARG is an input parameter and is used to pass arguments to IOCTL. RETARG is an output parameter and is used for arguments returned by IOCTL. For the lengths and meanings of REQARG and RETARG for each COMMAND type, see [Table 22 on page 272](#).

SIOCATMARK

Determines whether the current location in the data input is pointing to out-of-band data.

SIOCGIFADDR

Requests the network interface address for a given interface name. See the following source members for a description of the REQARG value of this IOCTL command:

- For assembler, see the IOCN_IFNAME field in SYS1.MACLIB(BPXYIOCC).
- For COBOL, see the IFR-NAME field in SEZAINST(EZACOBOL).

- For PL/I, see the IFR_NAME field in SEZAINST(CBLOCK).

SIOCGIFBRDADDR

Requests the network interface broadcast address for a given interface name. See the following source members for a description of the REQARG value of this IOCTL command:

- For assembler, see the IOCN_IFNAME field in SYS1.MACLIB(BPX1IOCC).
- For COBOL, see the IFR-NAME field in SEZAINST(EZACOBOL).
- For PL/I, see the IFR_NAME field in SEZAINST(CBLOCK).

SIOCGIFCONF

Requests the network interface configuration. The configuration consists of a variable number of 32-byte structures. The SIOCGIFCONF structure is specified the REQARG value for this IOCTL command. For assembler, see the IOCN_IFREQ field in SYS1.MACLIB(BPX1IOCC) for the structure format. For COBOL, see IFREQ in SEZAINST(EZACOBOL) for the structure format. For PL/I, see IFREQ in SEZAINST(CBLOCK) for the structure format.

When IOCTL is issued, the REQARG field must contain the length of the array to be returned. To determine the length of REQARG, multiply the structure length (array element) by the number of interfaces that is being requested. The maximum number of array elements that TCP/IP can return is 100.

When IOCTL is issued, the RETARG field must be set to the beginning portion of the storage area that you have defined in your program for the array to be returned.

SIOCGIFDSTADDR

Requests the network interface destination address for a given interface name. See the following source members for a description of this IOCTL commands REQARG value:

- For assembler, see the IOCN_IFNAME field in SYS1.MACLIB(BPX1IOCC).
- For COBOL, see the IFR-NAME field in SEZAINST(EZACOBOL).
- For PL/I, see the IFR_NAME field in SEZAINST(CBLOCK).

SIOCGIFMTU

Requests the IPv4 network interface MTU (maximum transmission unit) for a given interface name. See the following source members for a description the REQARG value of this IOCTL command:

- For assembler, see the IOCN_IFNAME field in SYS1.MACLIB(BPX1IOCC).
- For COBOL, see the IFR-NAME field in SEZAINST(EZACOBOL).
- For PL/I, see the IFR_NAME field in SEZAINST(CBLOCK).

SIOCGIFNAMEINDEX

Requests all interface names and indexes including local loopback but excluding VIPAs. Information is returned for both IPv4 and IPv6 interfaces whether they are active or inactive. For IPv6 interfaces, information is returned for an interface only if it has at least one available IP address. The configuration consists of the IF_NAMEINDEX structure [defined in SYS1.MACLIB(BPX1IOCC) for assembler programs].

- When the SIOCGIFNAMEINDEX IOCTL is issued, the first word in REQARG must contain the length (in bytes) to contain an IF-NAME-INDEX structure to return the interfaces. The following steps describe how to compute this length is as follows:
 1. Determine the number of interfaces expected to be returned upon successful completion of this command.
 2. Multiply the number of interfaces by the array element (size of IF-NIINDEX, IF-NINAME, and IF-NIEXT) to get the size of the array element.
 3. To the size of the array, add the size of IF-NITOTALIF and IF-NIENTRIES to get the total number of bytes needed to accommodate the name and index information returned.
- When IOCTL is issued, RETARG must be set to the address of the beginning of the area in your program's storage that is reserved for the IF-NAMEINDEX structure that IOCTL returns.

- The 'SIOCGIFNAMEINDEX' command returns a variable number of all the qualifying network interfaces.

To request OSM interfaces the application must have READ authorization to the EZB.OSM.sysname.tcpname resource.

```

WORKING-STORAGE SECTION.
  01 SIOCGIFNAMEINDEX PIC X(4) VALUE X'4000F603'.
  01 reqarg                pic 9(8) binary.
  01 reqarg-header-only   pic 9(8) binary.

  01 IF-NIHEADER.
    05 IF-NITOTALIF      PIC 9(8) BINARY.
    05 IF-NIENTRIES     PIC 9(8) BINARY.

  01 IF-NAME-INDEX-ENTRY.
    05 IF-NIINDEX       PIC 9(8) BINARY.
    05 IF-NINAME        PIC X(16).
    05 IF-NINAMETERM    PIC X(1).
    05 IF-NIRESV1       PIC X(3).

  01 OUTPUT-STORAGE      PIC X(500).

Procedure Division.

move 8 to reqarg-header-only.
Call 'EZASOKET' using socket-ioctl socket-descriptor
SIOCGIFNAMEINDEX
REQARG-HEADER-ONLY IF-NIHEADER
errno retcode.

move 500 to reqarg.
Call 'EZASOKET' using socket-ioctl socket-descriptor
SIOCGIFNAMEINDEX
REQARG OUTPUT-STORAGE
errno retcode.

```

Figure 142. COBOL language example for SIOCGIFNAMEINDEX

SIOCGIPMSFILTER

Requests a list of the IPv4 source addresses that comprise the source filter along with the current mode on a given interface and a multicast group for a socket. The source filter can include or exclude the set of source addresses, depending on the filter mode (MCAST_INCLUDE or MCAST_EXCLUDE).

When the SIOCGIPMSFILTER IOCTL is issued, the REQARG parameter must contain a IP_MSFILTER structure; this structure is defined in SYS1.MACLIB(BPXYIOCC) for assembler, in SEZAINST(CBLOCK) for PL/I, and in SEZAINST(EZACOBOL) for COBOL. The IP_MSFILTER structure must include an interface address (input), a multicast address (input), filter mode (output), the number of source addresses in the following array (input and output), and an array of source addresses (output). On input, the number of source addresses contains the number of source addresses that fit in the input array. On output, the number of source addresses contains the total number of source filters in the output array. If the application does not know the size of the source list prior to processing, it can make a reasonable guess (for example, 0). When the process completes, if the number of source addresses contains a larger value, the IOCTL can be repeated with a larger buffer. That is, on output, the number of source addresses is always updated to be the total number of sources in the filter; the array holds as many source addresses as fit, up to the minimum of the array size passed in as the input number.

The size of the IP_MSFILTER value is calculated as follows:

1. Determine the number of source addresses that is expected.
2. Multiply the number of source addresses by the array element (size of IMSF_SrcEntry) to get the size of all array elements.
3. Add the size of all array elements with the size of the IMSF_Header structure to get the total number of bytes needed to accommodate the source address information that is returned.

SIOCGMSFILTER

Requests a list of the IPv4 or IPv6 source addresses that comprise the source filter, along with the current mode on a given interface index and a multicast group for a socket. The source filter can include or exclude the set of source address, depending on the filter mode (MCAST_INCLUDE or MCAST_EXCLUDE).

When the SIOCGMSFILTER IOCTL is issued, the REQARG parameter must contain a GROUP_FILTER structure; this structure is defined in SYS1.MACLIB(BPXVIOCC) for assembler, in SEZAINST(CBLOCK) for PL/I, and in SEZAINST(EZACOBOL) for COBOL. The GROUP_FILTER structure must include an interface index (input), a socket address structure of the multicast address (input), filter mode (output), the number of source addresses in the following array (output), and an array of the socket address structure of source addresses (input and output). On input, the number of source addresses contains the number of source addresses that fit in the input array. On output, the number of source addresses contains the total number of source filters in the output array.

If the application does not know the size of the source list before processing, it can make a reasonable guess (for example, 0). When the process completes, if the number of source addresses holds a larger value, the IOCTL can be repeated with a larger buffer. That is, on output, the number of source addresses is always updated to be the total number of sources in the filter, and the array holds as many source addresses as fit, up to the minimum of the array size that is passed in as the input number.

The application calculates the size of the GROUP_FILTER value as follows:

1. Determine the number of source addresses expected.
2. Multiply the number of source addresses by the array element (size of GF_SrcEntry) to get the size of all array elements.
3. Add the size of all array elements to the size of the GF_Header structure to get the total number of bytes needed to accommodate the source addresses information returned.

SIOCGPARTNERINFO

Provides an interface for an application to retrieve security information about its partner. When you issue the SIOCGPARTNERINFO IOCTL, the REQARG parameter must contain a PartnerInfo structure. The PartnerInfo structure is defined in members within SEZANMAC; EZBPINF1 defines the PL/I layout, EZBPINF A defines the assembler layout, and EZBPINF B defines the COBOL layout. For more information about using the SIOCGPARTNERINFO IOCTL, see [z/OS Communications Server: IP Programmer's Guide and Reference](#).

Restriction: The SIOCGPARTNERINFO IOCTL is not called by the IBM listener.

Tip: If the partner end-point is the IBM Listener or a child server and partner security credentials were requested, then only the CICS address space information is returned on the SIOCGPARTNERINFO ioctl invocation.

SIOCSAPPLDATA

Enables an application to associate 40 bytes of user-specified application data with a socket endpoint. This application data can be used to identify TCP connections in interfaces such as Netstat, SMF, or network management applications.

Requirement: When you issue the SIOCSAPPLDATA IOCTL, ensure that the REQARG parameter contains a SetApplData structure as defined by the EZBYAPPL macro in the SEZANMAC dataset. See the CBLOCK and the EZACOBOL samples for the equivalent SetApplData and SetADcontainer structure definitions for PL/I and COBOL programming environments. See [z/OS Communications Server: IP Programmer's Guide and Reference](#) for more information about programming the SIOCSAPPLDATA IOCTL.

SetAD_buffer

User-defined application data that comprises 40 bytes of data that is used to identify the TCP connection with the IP CICS socket API sockets application. The application data can be displayed in the following ways:

- By requesting Netstat reports. The information is displayed conditionally by using the modifier APPLDATA on the ALLC/-a and CONN /-c reports, and unconditionally on the ALL/-A report. See the Netstat ALL/-A report, the Netstat ALLConn/-a report, and the Netstat CONN/-c report information in [z/OS Communications Server: IP System Administrator's Commands](#) for more information about Netstat reports.
- In the SMF 119 TCP connection termination record. See [TCP connection termination record \(subtype 2\)](#) in [z/OS Communications Server: IP Programmer's Guide and Reference](#) for more information about the application data written on the SMF 119 record.
- By network management applications. See [Network management interfaces in z/OS Communications Server: IP Programmer's Guide and Reference](#) for more information about application data.

Applications using this ioctl need to consider the following guidelines:

- The application is responsible for documenting the content, format, and meaning of the ApplData strings it associates with sockets that it owns.
- The application should uniquely identify itself with printable EBCDIC characters at the beginning of the string. Strings beginning with 3-character IBM product identifiers, such as EZA or EZB, are reserved for IBM use. IBM product identifiers begin with a letter in the range A - I.
- Printable EBCDIC characters should be use for the entire string to enable searching with Netstat filters.

Tip: Separate application data elements with a blank for easier reading.

SIOCSIPMSFILTER

Sets a list of the IPv4 source addresses that comprise the source filter along with the current mode on a given interface and a multicast group for a socket. The source filter can either include or exclude the set of source address, depending on the filter mode (MCAST_INCLUDE or MCAST_EXCLUDE). A maximum of 64 source addresses can be specified. When the SIOCSIPMSFILTER IOCTL is issued, the REQARG parameter must contain a IP_MSFILTER structure; this structure is defined in SYS1.MACLIB(BPXYIOCC) for assembler, in SEZAINST(CBLOCK) for PL/I and in SEZAINST(EZACOBOL) for COBOL. The IP_MSFILTER structure must include an interface address, a multicast address, filter mode, the number of source addresses in the following array, and an array of source addresses.

The application program calculates the size of the IP_MSFILTER value as follows:

1. Determine the number of source addresses expected.
2. Multiply the number of source addresses by the array element (size of the IMSF_SrcEntry structure) to get the size of all array elements.
3. Add the size of all array elements to the size of IMSF_Header to get the total number of bytes needed to accommodate the source addresses information returned.

SIOCSMSFILTER

Sets a list of the IPv4 or IPv6 source addresses that comprise the source filter, along with the current mode on a given interface index and a multicast group for a socket. The source filter can include or exclude the set of source address, depending on the filter mode (INCLUDE or EXCLUDE). A maximum of 64 source addresses can be specified. When the SIOCSMSFILTER IOCTL is issued, the REQARG parameter must contain a GROUP_FILTER structure; this structure is defined in SYS1.MACLIB(BPXYIOCC) for assembler, in SEZAINST(CBLOCK) for PL/I, and in SEZAINST(EZACOBOL) for COBOL. The GROUP_FILTER must include an interface index, a socket address structure of the multicast address, filter mode, the number of source addresses in the following array, an array of the socket address structure of source addresses.

Calculate the size of the GROUP_FILTER value as follows:

1. Determine the number of source addresses expected.
2. Multiply the number of source addresses by the array element (size of GF_SrcEntry) to get the size of all array elements.

3. Add the size of all array elements to the size of GF_Header to get the total number of bytes needed to accommodate the source addresses information returned.

SIOCSPARTNERINFO

The SIOCSPARTNERINFO ioctl sets an indicator to retrieve the partner security credentials during connection setup and saves the information, enabling an application to issue a SIOCGPARTNERINFO ioctl without suspending the application, or at least minimizing the time to retrieve the information. The SIOCSPARTNERINFO IOCTL must be issued prior to the SIOCGPARTNERINFO IOCTL. When you issue the SIOCSPARTNERINFO IOCTL, the REQARG parameter must contain a constant value, PI_REQTYPE_SET_PARTNERDATA. This constant is defined in members within SEZANMAC; EZBPINF1 defines the PL/I layout, EZBPINF A defines the assembler layout, and EZBPINF B defines the COBOL layout. For more information about using the [SIOCSPARTNERINFO IOCTL](#), see [z/OS Communications Server: IP Programmer's Guide and Reference](#).

Restriction: The SIOCSPARTNERINFO IOCTL is not called by the IBM listener.

SIOCTLSTLSCTL

Controls Application Transparent Transport Layer Security (AT-TLS) for the connection. REQARG and RETARG must contain a TTLS-IOCTL structure. If a partner certificate is requested, the TTLS-IOCTL must include a pointer to additional buffer space and the length of that buffer. Information is returned in the TTLS-IOCTL structure. If a partner certificate is requested and one is available, it is returned in the additional buffer space. The TTLS-IOCTL structure is defined in the control block structures in SEZANMAC. EZBZTLS1 defines the PL/I layout, EZBZTLSP defines the assembler layout, and EZBZTLSB defines the COBOL layout. For more usage information and samples, see [z/OS Communications Server: IP Programmer's Guide and Reference](#).

REQARG and RETARG

REQARG is used to pass and receive arguments to and from IOCTL, and RETARG receives arguments from IOCTL. The REQARG and RETARG parameters are described in [Table 22 on page 272](#).

COMMAND/CODE	SIZ E	REQARG	SIZ E	RETARG
FIONBIO X'8004A77E'	4	Set socket mode to one of the following: X'00'=blocking; X'01'=nonblocking	0	Not used
FIONREAD X'4004A77F'	0	Not used	4	Number of characters available for read
SIOCATMARK X'4004A707'	0	Not used	4	X'00' = at OOB data X'01' = not at OOB data
SIOCGHOMEIF6 X'C014F608'	20	NetConfHdr		See Figure 141 on page 267 .
SIOCGIFADDR X'C020A70D'	32	First 16 bytes is the interface name. Last 16 bytes—not used	32	Network interface address. For assembler, see the IOCN_SADDRIF field in SYS1.MACLIB(BPXIOCC). For COBOL, see the IFR_ADDR field in SEZAINST(EZACOBOL). For PL/I, see the IFR_ADDR field in SEZAINST(CBLOCK).

Table 22. IOCTL call arguments (continued)

COMMAND/CODE	SIZ E	REQARG	SIZ E	RETARG
SIOCGIFBRDADDR X'C020A712'	32	First 16 bytes is the interface name. Last 16 bytes—not used	32	Network interface address. For assembler, see the IOC_N_SADDRIFBROADCAST field in SYS1.MACLIB(BPXVIOCC). For COBOL, see the IFR-BROADADDR field in SEZAINST(EZACOBOL). For PL/I, see the IFR-BROADADDR field in SEZAINST(CBLOCK).
SIOCGIFCONF X'C008A714'	8	Size of RETARG		When you call the IOCTL with the SIOCGIFCONF command set, the REQARG parameter should contain the length in bytes of RETARG. Each interface is assigned a 32-byte array element; the REQARG parameter should be set to the number of interfaces multiplied by 32. TCP/IP for z/OS can return up to 100 array elements.
SIOCGIFDSTADDR X'C020A70F'	32	First 16 bytes is the interface name. Last 16 bytes are not used.	32	Destination interface address. For assembler, see the IOC_N_SADDRIFDEST field in SYS1.MACLIB(BPXVIOCC). For COBOL, see the IFR-DSTADDR field in SEZAINST(EZACOBOL). For PL/I, see the IFR_DSTADDR field in SEZAINST(CBLOCK).
SIOCGIFMTU X'C020A726'	32	First 16 bytes is the interface name. Last 16 bytes are not used.	32	IPv4 interface MTU (maximum transmission unit). For assembler, see the IOC_N_MTU_SIZE field in SYS1.MACLIB(BPXVIOCC). For COBOL, see the IFR_MTU field in SEZAINST(EZACOBOL). For PL/I, see the IFR_MTU field in SEZAINST(CBLOCK).
SIOCGIFNAMEINDEX X'4000F603'	4	First 4 bytes of return the buffer		See Figure 142 on page 269.
SIOCGIPMSFILTER X'C000A724'	–	See the IP_MSFILTER structure in macro BPXYIOCC. See note 1.	0	Not used.
SIOCGMSFILTER X'C000F610'	–	See the GROUP_FILTER structure in macro BPXYIOCC. See note 2.	0	Not used.

Table 22. IOCTL call arguments (continued)

COMMAND/CODE	SIZ E	REQARG	SIZ E	RETARG
SIOCGPARTNERINFO X'C000F612'	–	For the PartnerInfo structure layout, see SEZANMAC(EZBPINF1) for assembler, SEZANMAC(EZBPINF1) for PL/I, and SEZANMAC(EZBPINF1) for COBOL. See note 3.		Not used.
SIOCSAPPLDATA X'8018D90C'	–	See the SETAPPLDATA structure in macro EZBYAPPL	0	Not used.
SIOCSIPMSFILTER X'8000A725'	–	See the IP_MSFILTER structure in macro BPXYIOCC. See note 1.	0	Not used.
SIOCSMSFILTER X'8000F611'	–	See the GROUP_FILTER structure in macro BPXYIOCC. See note 2.		
SIOCSPARTNERINFO X'8004F613'	4	See PI_REQTYPE_SET_PARTNERDATA in SEZANMAC(EZBPINF1) for assembler, SEZANMAC(EZBPINF1) for PL/I, and SEZANMAC(EZBPINF1) for COBOL.		Not used.
SIOCTLCTLX'C038D90B'	56	For the IOCTL structure layout, see SEZANMAC(EZBZTLS1) for PL/I, SEZANMAC(EZBZTLSP) for assembler, and SEZANMAC(EZBZTLSP) for COBOL	56	For the IOCTL structure layout, see SEZANMAC(EZBZTLS1) for PL/I, SEZANMAC(EZBZTLSP) for assembler, and SEZANMAC(EZBZTLSP) for COBOL.
Note:				
<ul style="list-style-type: none"> • The size of IP_MSFILTER structure must be equal to or greater than the size of the IMSF_Header structure. • The size of GROUP_FILTER structure must be equal to or greater than the size of the GF_Header structure. • The size of the PartnerInfo structure must be equal to or greater than the PI_FIXED_SIZE value. 				

Parameter values returned to the application for the IOCTL call

RETARG

Returns an array whose size is based on the value in COMMAND. See [Table 22 on page 272](#) for information about REQARG and RETARG.

ERRNO

A fullword binary field. If RETCODE is negative, the field contains an error number. See [Appendix B, “Return codes,” on page 381](#) for information about ERRNO return codes.

RETCODE

A fullword binary field that returns one of the following:

Value

Description

0

Successful call

-1

Check ERRNO for an error code

The COMMAND SIOGIFCONF returns a variable number of network interface configurations. [Figure 143 on page 275](#) contains an example of a COBOL II routine that can be used to work with such a structure.

Note: This call can be programmed only in languages that support address pointers. [Figure 143 on page 275](#) shows a COBOL II example for SIOCGIFCONF.

```
WORKING-STORAGE SECTION.  
77  REQARG          PIC 9(8) COMP.  
77  COUNT          PIC 9(8) COMP VALUE max number of interfaces.  
LINKAGE SECTION.  
01  RETARG.  
    05  IOCTL-TABLE OCCURS 1 TO max TIMES DEPENDING ON COUNT.  
        10  NAME          PIC X(16).  
        10  FAMILY       PIC 9(4) BINARY.  
        10  PORT         PIC 9(4) BINARY.  
        10  ADDR         PIC 9(8) BINARY.  
        10  NULLS       PIC X(8).  
PROCEDURE DIVISION.  
MULTIPLY COUNT BY 32 GIVING REQARG.  
CALL 'EZASOKET' USING SOC-FUNCTION S COMMAND  
REQARG RETARG ERRNO RETCODE.
```

Figure 143. COBOL II example for SIOCGIFCONF

LISTEN call

The LISTEN call:

- Completes the bind, if BIND has not already been called for the socket.
- Creates a connection-request queue of a specified length for incoming connection requests.

Note: The LISTEN call is not supported for datagram sockets or raw sockets.

The LISTEN call is typically used by a server to receive connection requests from clients. When a connection request is received, a new socket is created by a subsequent ACCEPT call, and the original socket continues to listen for additional connection requests. The LISTEN call converts an active socket to a passive socket and conditions it to accept connection requests from clients. After a socket becomes passive, it cannot initiate connection requests.

Note: The BACKLOG value specified on the LISTEN command cannot be greater than the value configured by the SOMAXCONN statement in the stack's TCPIP PROFILE (default=10); no error is returned if a larger backlog is requested. If you want a larger backlog, update the SOMAXCONN statement. See the [z/OS Communications Server: IP Configuration Reference](#) for details.

The following requirements apply to this call:

Requirement	Description
Authorization:	Supervisor state or problem state, any PSW key
Dispatchable unit mode:	Task
Cross memory mode:	PASN = HASN
Amode:	31-bit or 24-bit
ASC mode:	Primary address space control (ASC) mode
Interrupt status:	Enabled for interrupts
Locks:	Unlocked
Control parameters:	All parameters must be addressable by the caller and in the primary address space

[Figure 144 on page 276](#) shows an example of LISTEN call instructions.

```

WORKING-STORAGE SECTION.
  01 SOC-FUNCTION PIC X(16) VALUE IS 'LISTEN'.
  01 S PIC 9(4) BINARY.
  01 BACKLOG PIC 9(8) BINARY.
  01 ERRNO PIC 9(8) BINARY.
  01 RETCODE PIC S9(8) BINARY.

PROCEDURE DIVISION.
  CALL 'EZASOKET' USING SOC-FUNCTION S BACKLOG ERRNO RETCODE.

```

Figure 144. LISTEN call instruction example

For equivalent PL/I and assembler language declarations, see [“Converting parameter descriptions” on page 205](#).

Parameter values set by the application for the LISTEN call

SOC-FUNCTION

A 16-byte character field containing LISTEN. The field is left-aligned and padded to the right with blanks.

S

A halfword binary number set to the socket descriptor.

BACKLOG

A fullword binary number set to the number of communication requests to be queued.

Parameter values returned to the application for the LISTEN call

ERRNO

A fullword binary field. If RETCODE is negative, the field contains an error number. See [Appendix B, “Return codes,” on page 381](#) for information about ERRNO return codes.

RETCODE

A fullword binary field that returns one of the following:

Value

Description

0

Successful call

-1

Check ERRNO for an error code

NTOP call

NTOP converts an IP address from its numeric binary form into a standard text presentation form. On successful completion, NTOP returns the converted IP address in the buffer provided.

The following requirements apply to this call:

Requirement	Description
Authorization:	Supervisor state or problem state, any PSW key
Dispatchable unit mode:	Task
Cross memory mode:	PASN = HASN
Amode:	31-bit or 24-bit
ASC mode:	Primary address space control (ASC) mode
Interrupt status:	Enabled for interrupts
Locks:	Unlocked

Requirement	Description
Control parameters:	All parameters must be addressable by the caller and in the primary address space

Figure 145 on page 277 shows an example of NTOP call instructions.

```

WORKING-STORAGE SECTION.
  01 SOC-NTOP-FUNCTION          PIC X(16) VALUE IS 'NTOP'.
  01 S                          PIC 9(4) BINARY.

* IPv4 socket structure.
  01 NAME.
    03 FAMILY          PIC 9(4) BINARY.
    03 PORT            PIC 9(4) BINARY.
    03 IP-ADDRESS     PIC 9(8) BINARY.
    03 RESERVED       PIC X(8).

* IPv6 socket structure.
  01 NAME.
    03 FAMILY          PIC 9(4) BINARY.
    03 PORT            PIC 9(4) BINARY.
    03 FLOWINFO       PIC 9(8) BINARY.
    03 IP-ADDRESS.
      10 FILLER        PIC 9(16) BINARY.
      10 FILLER        PIC 9(16) BINARY.
    03 SCOPE-ID       PIC 9(8) BINARY.
  01 NTOP-FAMILY     PIC 9(8) BINARY.
  01 ERRNO           PIC 9(8) BINARY.
  01 RETCODE         PIC S9(8) BINARY.

  01 PRESENTABLE-ADDRESS PIC X(45).
  01 PRESENTABLE-ADDRESS-LEN PIC 9(4) BINARY.

PROCEDURE DIVISION.
  CALL 'EZASOKET' USING SOC-NTOP-FUNCTION NTOP-FAMILY
                      IP-ADDRESS
                      PRESENTABLE-ADDRESS
                      PRESENTABLE-ADDRESS-LEN
                      ERRNO RETURN-CODE.

```

Figure 145. NTOP call instruction example

For equivalent PL/I and assembler language declarations, see [“Converting parameter descriptions”](#) on page 205.

Parameter values set by the application for the NTOP call

SOC-FUNCTION

A 16-byte character field containing 'NTOP'. The field is left-justified and padded on the right with blanks.

FAMILY

The addressing family for the IP address being converted. The value of decimal 2 must be specified for AF_INET and 19 for AF_INET6.

IP-ADDRESS

A field containing the numeric binary form of the IPv4 or IPv6 address being converted. For an IPv4 address this field must be a fullword and for an IPv6 address this field must be 16 bytes. The address must be in network byte order.

Parameter values returned to the application for the NTOP call

PRESENTABLE-ADDRESS

A field used to receive the standard text presentation form of the IPv4 or IPv6 address being converted. For IPv4, the address is in dotted-decimal format and for IPv6 the address is in colon-hexadecimal format. The size of the IPv4 address is a maximum of 15 bytes and the size of the

converted IPv6 address is a maximum of 45 bytes. Consult the value returned in PRESENTABLE-ADDRESS-LEN for the actual length of the value in PRESENTABLE-ADDRESS.

PRESENTABLE-ADDRESS-LEN

Initially, an input parameter. The address of a halfword binary field (that is used to specify the length of DSTADDR field on input and on a successful return) contains the length of converted IP address.

ERRNO

A fullword binary field. If RETCODE is negative, ERRNO contains an error number. See [Appendix B, "Return codes,"](#) on page 381 for information about ERRNO return codes.

RETCODE

A fullword binary field that returns one of the following:

Value

Description

0

Successful call

-1

Check ERRNO for an error code

PTON call

PTON converts an IP address in its standard text presentation form to its numeric binary form. On successful completion, PTON returns the converted IP address in the buffer provided.

The following requirements apply to this call:

Requirement	Description
Authorization:	Supervisor state or problem state, any PSW key
Dispatchable unit mode:	Task
Cross memory mode:	PASN = HASN
Amode:	31-bit or 24-bit
ASC mode:	Primary address space control (ASC) mode
Interrupt status:	Enabled for interrupts
Locks:	Unlocked
Control parameters:	All parameters must be addressable by the caller and in the primary address space

[Figure 146 on page 279](#) shows an example of PTON call instructions.


```

WORKING-STORAGE SECTION.
  01 SOC-NTOP-FUNCTION      PIC X(16) VALUE IS 'PTON'.
  01 S                      PIC 9(4) BINARY.

* IPv4 socket structure.
  01 NAME.
    03 FAMILY              PIC 9(4) BINARY.
    03 PORT                PIC 9(4) BINARY.
    03 IP-ADDRESS         PIC 9(8) BINARY.
    03 RESERVED           PIC X(8).

* IPv6 socket structure.
  01 NAME.
    03 FAMILY              PIC 9(4) BINARY.
    03 PORT                PIC 9(4) BINARY.
    03 FLOWINFO           PIC 9(8) BINARY.
    03 IP-ADDRESS.
      10 FILLER            PIC 9(16) BINARY.
      10 FILLER            PIC 9(16) BINARY.
    03 SCOPE-ID           PIC 9(8) BINARY.

  01 AF-INET              PIC 9(8) BINARY VALUE 2.
  01 AF-INET6            PIC 9(8) BINARY VALUE 19.

* IPv4 address.
  01 PRESENTABLE-ADDRESS  PIC X(45).
  01 PRESENTABLE-ADDRESS-IPV4 REDEFINES PRESENTABLE-ADDRESS.
    05 PRESENTABLE-IPV4-ADDRESS PIC X(15)
      VALUE '192.26.5.19'.
    05 FILLER             PIC X(30).
  01 PRESENTABLE-ADDRESS-LEN PIC 9(4) BINARY VALUE 11.

* IPv6 address.
  01 PRESENTABLE-ADDRESS  PIC X(45)
      VALUE '12f9:0:0:c30:123:457:9cb:1112'.
  01 PRESENTABLE-ADDRESS-LEN PIC 9(4) BINARY VALUE 29.

* IPv4-mapped IPv6 address.
  01 PRESENTABLE-ADDRESS  PIC X(45)
      VALUE '12f9:0:0:c30:123:457:192.26.5.19'.
  01 PRESENTABLE-ADDRESS-LEN PIC 9(4) BINARY VALUE 32.

  01 ERRNO                PIC 9(8) BINARY.
  01 RETCODE              PIC S9(8) BINARY.

  01 PRESENTABLE-ADDRESS  PIC X(45).
  01 PRESENTABLE-ADDRESS-LEN PIC 9(4) BINARY.

PROCEDURE DIVISION.

* IPv4 address.
CALL 'EZASOKET' USING SOC-PTON-FUNCTION AF-INET
PRESENTABLE-ADDRESS
PRESENTABLE-ADDRESS-LEN
IP-ADDRESS
ERRNO RETURN-CODE.

* IPv6 address.
CALL 'EZASOKET' USING SOC-PTON-FUNCTION AF-INET6
PRESENTABLE-ADDRESS
PRESENTABLE-ADDRESS-LEN
IP-ADDRESS
ERRNO RETURN-CODE.

```

Figure 146. PTON call instruction example

For equivalent PL/I and assembler language declarations, see [“Converting parameter descriptions” on page 205](#).

Parameter values set by the application for the PTON call

SOC-FUNCTION

A 16-byte character field containing 'PTON'. The field is left-justified and padded on the right with blanks.

FAMILY

The addressing family for the IP address being converted. The value of decimal 2 must be specified for AF_INET and 19 for AF_INET6.

PRESENTABLE-ADDRESS

A field containing the standard text presentation form of the IPv4 or IPv6 address being converted. For IPv4, the address is in dotted-decimal format and for IPv6 the address is in colon-hexadecimal format.

PRESENTABLE-ADDRESS-LEN

An input parameter. The address of a halfword binary field that must contain the length of IP address to be converted.

Parameter values returned to the application for the PTON call

IP-ADDRESS

A field containing the numeric binary form of the IPv4 or IPv6 address being converted. For an IPv4 address this field must be a fullword and for an IPv6 address this field must be 16 bytes. The address is in network byte order.

ERRNO

A fullword binary field. If RETCODE is negative, ERRNO contains an error number. See [Appendix B, "Return codes,"](#) on page 381 for information about ERRNO return codes.

RETCODE

A fullword binary field that returns one of the following:

Value

Description

0

Successful call

-1

Check ERRNO for an error code

READ call

The READ call reads the data on sockets. This is the conventional TCP/IP read data operation. If a datagram packet is too long to fit in the supplied buffer, datagram sockets discard extra bytes.

For stream sockets, data is processed as streams of information with no boundaries separating the data. For example, if programs A and B are connected with a stream socket and program A sends 1000 bytes, each call to this function can return any number of bytes up to the entire 1000 bytes. The number of bytes returned is contained in RETCODE. Therefore, programs using stream sockets should place this call in a loop that repeats until all data has been received.

Note: See ["EZACIC05 program" on page 337](#) for a subroutine that translates ASCII input data to EBCDIC.

The following requirements apply to this call:

Requirement	Description
Authorization:	Supervisor state or problem state, any PSW key
Dispatchable unit mode:	Task
Cross memory mode:	PASN = HASN
Amode:	31-bit or 24-bit Note: See "Addressability mode (Amode) considerations" under "Environmental restrictions and programming requirements for the Callable Socket API" on page 203.
ASC mode:	Primary address space control (ASC) mode

Requirement	Description
Interrupt status:	Enabled for interrupts
Locks:	Unlocked
Control parameters:	All parameters must be addressable by the caller and in the primary address space

Figure 147 on page 281 shows an example of READ call instructions.

```

WORKING-STORAGE SECTION.
  01 SOC-FUNCTION PIC X(16) VALUE IS 'READ'.
  01 S PIC 9(4) BINARY.
  01 NBYTE PIC 9(8) BINARY.
  01 BUF PIC X(length of buffer).
  01 ERRNO PIC 9(8) BINARY.
  01 RETCODE PIC S9(8) BINARY.

PROCEDURE DIVISION.
  CALL 'EZASOKET' USING SOC-FUNCTION S NBYTE BUF
  ERRNO RETCODE.

```

Figure 147. READ call instruction example

For equivalent PL/I and assembler language declarations, see [“Converting parameter descriptions”](#) on page 205.

Parameter values set by the application for the READ call

SOC-FUNCTION

A 16-byte character field containing READ. The field is left-aligned and padded to the right with blanks.

S

A halfword binary number set to the socket descriptor of the socket that is going to read the data.

NBYTE

A fullword binary number set to the size of BUF. READ does not return more than the number of bytes of data in NBYTE even if more data is available.

Parameter values returned to the application for the READ call

BUF

On input, a buffer to be filled by completion of the call. The length of BUF must be at least as long as the value of NBYTE.

ERRNO

A fullword binary field. If RETCODE is negative, the field contains an error number. See [Appendix B, “Return codes,”](#) on page 381 for information about ERRNO return codes.

RETCODE

A fullword binary field that returns one of the following:

Value

Description

0

A 0 return code indicates that the connection is closed and no data is available.

>0

A positive value indicates the number of bytes copied into the buffer.

-1

Check ERRNO for an error code.

READV call

The READV function reads data on a socket and stores it in a set of buffers. If a datagram packet is too long to fit in the supplied buffers, datagram sockets discard extra bytes.

The following requirements apply to this call:

Requirement	Description
Authorization:	Supervisor state or problem state, any PSW key
Dispatchable unit mode:	Task
Cross memory mode:	PASN = HASN
Amode:	31-bit or 24-bit
ASC mode:	Primary address space control (ASC) mode
Interrupt status:	Enabled for interrupts
Locks:	Unlocked
Control parameters:	All parameters must be addressable by the caller and in the primary address space

Figure 148 on page 282 shows an example of READV call instructions.

```
WORKING-STORAGE SECTION.
  01 SOKET-FUNCTION          PIC X(16) VALUE 'READV'.
  01 S                       PIC 9(4) BINARY.
  01 IOVCNT                 PIC 9(8) BINARY.

  01 IOV.
    03 BUFFER-ENTRY OCCURS N TIMES.
      05 BUFFER-POINTER USAGE IS POINTER.
      05 RESERVED          PIC X(4).
      05 BUFFER-LENGTH     PIC 9(8) BINARY.

  01 ERRNO                  PIC 9(8) BINARY.
  01 RETCODE                PIC 9(8) BINARY.

PROCEDURE DIVISION.

  SET BUFFER-POINTER(1) TO ADDRESS OF BUFFER1.
  SET BUFFER-LENGTH(1) TO LENGTH OF BUFFER1.
  SET BUFFER-POINTER(2) TO ADDRESS OF BUFFER2.
  SET BUFFER-LENGTH(2) TO LENGTH OF BUFFER2.
  " " " " " "
  " " " " " "
  SET BUFFER-POINTER(n) TO ADDRESS OF BUFFERn.
  SET BUFFER-LENGTH(n) TO LENGTH OF BUFFERn.

  CALL 'EZASOKET' USING SOC-FUNCTION S IOV IOVCNT ERRNO RETCODE.
```

Figure 148. READV call instruction example

Parameter values set by the application for the READV call

S

A value or the address of a halfword binary number specifying the descriptor of the socket into which the data is to be read.

IOV

An array of tripleword structures with the number of structures equal to the value in IOVCNT and the format of the structures as follows:

Fullword 1

Pointer to the address of a data buffer, which is filled in on completion of the call.

Fullword 2

Reserved.

Fullword 3

The length of the data buffer referenced in fullword one.

IOVCNT

A fullword binary field specifying the number of data buffers provided for this call.

Parameter values returned to the application for the READV call**ERRNO**

A fullword binary field. If RETCODE is negative, this contains an error number. See [Appendix B, “Return codes,”](#) on page 381 for information about ERRNO return codes.

RETCODE

A fullword binary field that returns one of the following:

Value**Description****0**

A 0 return code indicates that the connection is closed and no data is available.

>0

A positive value indicates the number of bytes copied into the buffer.

-1

Check ERRNO for an error code.

RECV call

The RECV call, like READ, receives data on a socket with descriptor S. RECV applies only to connected sockets. If a datagram packet is too long to fit in the supplied buffers, datagram sockets discard extra bytes.

For additional control of the incoming data, RECV can:

- Peek at the incoming message without having it removed from the buffer.
- Read out-of-band data.

For stream sockets, data is processed as streams of information with no boundaries separating the data. For example, if programs A and B are connected with a stream socket and program A sends 1000 bytes, each call to this function can return any number of bytes up to the entire 1000 bytes. The number of bytes returned are contained in RETCODE. Therefore, programs using stream sockets should place RECV in a loop that repeats until all data has been received.

If data is not available for the socket, and the socket is in blocking mode, RECV blocks the caller until data arrives. If data is not available and the socket is in nonblocking mode, RECV returns a -1 and sets ERRNO to 35 (EWOULDBLOCK). See [“FCNTL call”](#) on page 217 or [“IOCTL call”](#) on page 265 for a description of how to set nonblocking mode.

For raw sockets, RECV adds a 20-byte header.

Note: See [“EZACIC05 program”](#) on page 337 for a subroutine that translates ASCII input data to EBCDIC.

The following requirements apply to this call:

Requirement	Description
Authorization:	Supervisor state or problem state, any PSW key
Dispatchable unit mode:	Task
Cross memory mode:	PASN = HASN
Amode:	31-bit or 24-bit

Requirement	Description
ASC mode:	Primary address space control (ASC) mode
Interrupt status:	Enabled for interrupts
Locks:	Unlocked
Control parameters:	All parameters must be addressable by the caller and in the primary address space

Figure 149 on page 284 shows an example of RECV call instructions.

```

WORKING-STORAGE SECTION.
  01 SOC-FUNCTION PIC X(16) VALUE IS 'RECV'.
  01 S PIC 9(4) BINARY.
  01 FLAGS PIC 9(8) BINARY.
  01 NO-FLAG PIC 9(8) BINARY VALUE IS 0.
  01 OOB PIC 9(8) BINARY VALUE IS 1.
  01 PEEK PIC 9(8) BINARY VALUE IS 2.
  01 NBYTE PIC 9(8) BINARY.
  01 BUF PIC X(length of buffer).
  01 ERRNO PIC 9(8) BINARY.
  01 RETCODE PIC S9(8) BINARY.

PROCEDURE DIVISION.
  CALL 'EZASOKET' USING SOC-FUNCTION S FLAGS NBYTE BUF
  ERRNO RETCODE.

```

Figure 149. RECV call instruction example

For equivalent PL/I and assembler language declarations, see [“Converting parameter descriptions”](#) on page 205.

Parameter values set by the application for the RECV call

SOC-FUNCTION

A 16-byte character field containing RECV. The field is left-aligned and padded to the right with blanks.

S

A halfword binary number set to the socket descriptor of the socket to receive the data.

FLAGS

A fullword binary field that should be 4 bytes in length.

Literal value	Binary value	Description
NO-FLAG	x'00000000'	Read data.
MSG-OOB	x'00000001'	Receive out-of-band data (stream sockets only). Even if the OOB flag is not set, out-of-band data can be read if the SO-OOBINLINE option is set for the socket.
MSG-PEEK	x'00000002'	Peek at the data, but do not destroy data. If the peek flag is set, the next receive operation reads the same data.
MSG-WAITALL	x'00000040'	Requests that the function block until the full amount of data requested can be returned (stream sockets only). The function might return a smaller amount of data if the connection is terminated, an error is pending, or if the SO_RCVTIMEO value is set and the timer expired for the socket.

NBYTE

A value or the address of a fullword binary number set to the size of BUF. RECV does not receive more than the number of bytes of data in NBYTE even if more data is available.

Parameter values returned to the application for the RECV call

BUF

The input buffer to receive the data.

ERRNO

A fullword binary field. If RETCODE is negative, the field contains an error number. See [Appendix B, “Return codes,” on page 381](#) for information about ERRNO return codes.

RETCODE

A fullword binary field that returns one of the following:

Value

Description

0

The socket is closed

>0

A positive return code indicates the number of bytes copied into the buffer.

-1

Check ERRNO for an error code

RECVFROM call

The RECVFROM call receives data on a socket with descriptor S and stores it in a buffer. The RECVFROM call applies to both connected and unconnected sockets. The IPv4 or IPv6 socket address is returned in the NAME structure. If a datagram packet is too long to fit in the supplied buffers, datagram sockets discard extra bytes.

For datagram protocols, the RECVFROM call returns the source address associated with each incoming datagram. For connection-oriented protocols like TCP, the GETPEERNAME call returns the address associated with the other end of the connection.

On return, NBYTE contains the number of data bytes received.

For stream sockets, data is processed as streams of information with no boundaries separating the data. For example, if programs A and B are connected with a stream socket and program A sends 1000 bytes, each call to this function can return any number of bytes, up to the entire 1000 bytes. The number of bytes returned are contained in RETCODE. Therefore, programs using stream sockets should place RECVFROM in a loop that repeats until all data has been received.

For raw sockets, RECVFROM adds a 20-byte header.

If data is not available for the socket, and the socket is in blocking mode, RECVFROM blocks the caller until data arrives. If data is not available and the socket is in nonblocking mode, RECVFROM returns a -1 and sets ERRNO to 35 (EWOULDBLOCK). See [“FCNTL call” on page 217](#) or [“IOCTL call” on page 265](#) for a description of how to set nonblocking mode.

Note: See [“EZACIC05 program” on page 337](#) for a subroutine that translates ASCII input data to EBCDIC.

The following requirements apply to this call:

Requirement	Description
Authorization:	Supervisor state or problem state, any PSW key
Dispatchable unit mode:	Task
Cross memory mode:	PASN = HASN

Requirement	Description
Amode:	31-bit or 24-bit
ASC mode:	Primary address space control (ASC) mode
Interrupt status:	Enabled for interrupts
Locks:	Unlocked
Control parameters:	All parameters must be addressable by the caller and in the primary address space

Figure 150 on page 286 shows an example of RECVFROM call instructions.

```

WORKING-STORAGE SECTION.
  01 SOC-FUNCTION    PIC X(16) VALUE IS 'RECVFROM'.
  01 S              PIC 9(4) BINARY.
  01 FLAGS          PIC 9(8) BINARY.
  01 NO-FLAG       PIC 9(8) BINARY VALUE IS 0.
  01 OOB           PIC 9(8) BINARY VALUE IS 1.
  01 PEEK          PIC 9(8) BINARY VALUE IS 2.
  01 NBYTE         PIC 9(8) BINARY.
  01 BUF           PIC X(length of buffer).

*
* IPv4 Socket Address Structure.
*
  01 NAME.
    03 FAMILY       PIC 9(4) BINARY.
    03 PORT         PIC 9(4) BINARY.
    03 IP-ADDRESS  PIC 9(8) BINARY.
    03 RESERVED    PIC X(8).

*
* IPv6 Socket Address Structure.
*
  01 NAME.
    03 FAMILY       PIC 9(4) BINARY.
    03 PORT         PIC 9(4) BINARY.
    03 FLOW-INFO   PIC 9(8) BINARY.
    03 IP-ADDRESS.
      05 FILLER     PIC 9(16) BINARY.
      05 FILLER     PIC 9(16) BINARY.
    03 SCOPE-ID    PIC 9(8) BINARY.

  01 ERRNO         PIC 9(8) BINARY.
  01 RETCODE       PIC S9(8) BINARY.

PROCEDURE DIVISION.
  CALL 'EZASOKET' USING SOC-FUNCTION S FLAGS
                    NBYTE BUF NAME ERRNO RETCODE.

```

Figure 150. RECVFROM call instruction example

For equivalent PL/I and assembler language declarations, see [“Converting parameter descriptions”](#) on page 205.

Parameter values set by the application for the RECVFROM call

SOC-FUNCTION

A 16-byte character field containing RECVFROM. The field is left-aligned and padded to the right with blanks.

S

A halfword binary number set to the socket descriptor of the socket to receive the data.

FLAGS

A fullword binary field that should be 4 bytes in length.

Literal value	Binary value	Description
NO-FLAG	x'00000000'	Read data.

Literal value	Binary value	Description
MSG-OOB	x'00000001'	Receive out-of-band data (stream sockets only). Even if the OOB flag is not set, out-of-band data can be read if the SO_OOBINLINE option is set for the socket.
MSG-PEEK	x'00000002'	Peek at the data, but do not destroy data. If the peek flag is set, the next RECVFROM call reads the same data.
MSG-WAITALL	x'00000040'	Requests that the function block until the full amount of data requested can be returned (stream sockets only). The function might return a smaller amount of data if the connection is terminated, an error is pending, or the SO_RCVTIMEO value is set and the timer expired for the socket.

NBYTE

A fullword binary number specifying the length of the input buffer.

Parameter values returned to the application for the RECVFROM call

BUF

Defines an input buffer to receive the input data.

NAME

An IPv4 socket structure containing the address of the socket that sent the data. The structure is:

FAMILY

A halfword binary number specifying the addressing family. The value is a decimal 2, indicating AF_INET.

PORT

A halfword binary number specifying the port number of the sending socket.

IP-ADDRESS

A fullword binary number specifying the 32-bit IPv4 Internet address of the sending socket.

RESERVED

An 8-byte reserved field. This field is required, but is not used.

An IPv6 socket structure containing the address of the socket that sent the data. The structure is:

FAMILY

A halfword binary number specifying the addressing family. The value is a decimal 19, indicating AF_INET6.

PORT

A halfword binary number specifying the port number of the sending socket.

FLOW-INFO

A fullword binary field specifying the traffic class and flow label. The value of this field is undefined.

IP-ADDRESS

A 16-byte binary number specifying the 128-bit IPv6 Internet address of the sending socket.

SCOPE-ID

A fullword binary field that identifies a set of interfaces as appropriate for the scope of the address carried in the IP-ADDRESS field. For a link scope IP-ADDRESS, SCOPE-ID contains the link index for the IP-ADDRESS. For all other address scopes, SCOPE-ID is undefined.

ERRNO

A fullword binary field. If RETCODE is negative, the field contains an error number. See [Appendix B, "Return codes,"](#) on page 381 for information about ERRNO return codes.

RETCODE

A fullword binary field that returns one of the following:

Value

Description

0

The socket is closed.

>0

A positive return code indicates the number of bytes of data transferred by the read call.

-1

Check ERRNO for an error code.

RECVMSG call

The RECVMSG call receives messages on a socket with descriptor S and stores them in an array of message headers. If a datagram packet is too long to fit in the supplied buffers, datagram sockets discard extra bytes.

For datagram protocols, the RECVMSG call returns the source address associated with each incoming datagram. For connection-oriented protocols like TCP, the GETPEERNAME call returns the address associated with the other end of the connection.

The following requirements apply to this call:

Requirement	Description
Authorization:	Supervisor state or problem state, any PSW key
Dispatchable unit mode:	Task
Cross memory mode:	PASN = HASN
Amode:	31-bit or 24-bit
ASC mode:	Primary address space control (ASC) mode
Interrupt status:	Enabled for interrupts
Locks:	Unlocked
Control parameters:	All parameters must be addressable by the caller and in the primary address space

Figure 151 on page 288 shows an example of RECVMSG call instructions.

Figure 151. RECVMSG call instruction example (Part 1 of 2)

```
WORKING-STORAGE SECTION.
01 SOC-FUNCTION PIC X(16) VALUE IS 'RECVMSG'.
01 S PIC 9(4) BINARY.
01 MSG.
03 NAME USAGE IS POINTER.
03 NAME-LEN USAGE IS POINTER.
03 IOV USAGE IS POINTER.
03 IOVCNT USAGE IS POINTER.
03 ACCRIGHTS USAGE IS POINTER.
03 ACCRLEN USAGE IS POINTER.

01 FLAGS PIC 9(8) BINARY.
01 NO-FLAG PIC 9(8) BINARY VALUE IS 0.
01 OOB PIC 9(8) BINARY VALUE IS 1.
01 PEEK PIC 9(8) BINARY VALUE IS 2.
01 ERRNO PIC 9(8) BINARY.
01 RETCODE PIC S9(8) BINARY.
```

```

LINKAGE SECTION.
    01 L1.
        03 RECVMSG-IOVECTOR.
            05 IOV1A          USAGE IS POINTER.
            05 IOV1AL        PIC 9(8) COMP.
            05 IOV1L        PIC 9(8) COMP.
            05 IOV2A          USAGE IS POINTER.
            05 IOV2AL        PIC 9(8) COMP.
            05 IOV2L        PIC 9(8) COMP.
            05 IOV3A          USAGE IS POINTER.
            05 IOV3AL        PIC 9(8) COMP.
            05 IOV3L        PIC 9(8) COMP.

            03 RECVMSG-BUFFER1 PIC X(16).
            03 RECVMSG-BUFFER2 PIC X(16).
            03 RECVMSG-BUFFER3 PIC X(16).
            03 RECVMSG-BUFNO  PIC 9(8) COMP.

*
* IPv4 Socket Address Structure.
*
        03 RECVMSG-NAME.
            05 FAMILY        PIC 9(4) BINARY.
            05 PORT          PIC 9(4) BINARY.
            05 IP-ADDRESS    PIC 9(8) BINARY.
            05 RESERVED     PIC X(8).

*
* IPv6 Socket Address Structure.
*
        03 RECVMSG-NAME.
            05 FAMILY        PIC 9(4) BINARY.
            05 PORT          PIC 9(4) BINARY.
            05 FLOW-INFO    PIC 9(8) BINARY.
            05 IP-ADDRESS.
                10 FILLER    PIC 9(16) BINARY.
                10 FILLER    PIC 9(16) BINARY.
            05 SCOPE-ID     PIC 9(8) BINARY.

```

Figure 152. RECVMSG call instruction example (Part 2 of 2)

```

PROCEDURE DIVISION USING L1.

    SET NAME TO ADDRESS OF RECVMSG-NAME.
    MOVE LENGTH OF RECVMSG-NAME TO NAME-LEN.
    SET IOV TO ADDRESS OF RECVMSG-IOVECTOR.
    MOVE 3 TO RECVMSG-BUFNO.
    SET IOVCNT TO ADDRESS OF RECVMSG-BUFNO.
    SET IOV1A TO ADDRESS OF RECVMSG-BUFFER1.
    MOVE 0 TO MSG-IOV1AL.
    MOVE LENGTH OF RECVMSG-BUFFER1 TO IOV1L.
    SET IOV2A TO ADDRESS OF RECVMSG-BUFFER2.
    MOVE 0 TO IOV2AL.
    MOVE LENGTH OF RECVMSG-BUFFER2 TO IOV2L.
    SET IOV3A TO ADDRESS OF RECVMSG-BUFFER3.
    MOVE 0 TO IOV3AL.
    MOVE LENGTH OF RECVMSG-BUFFER3 TO IOV3L.
    SET ACCRIGHTS TO NULLS.
    SET ACCRLEN TO NULLS.
    MOVE 0 TO FLAGS.
    MOVE SPACES TO RECVMSG-BUFFER1.
    MOVE SPACES TO RECVMSG-BUFFER2.
    MOVE SPACES TO RECVMSG-BUFFER3.

    CALL 'EZASOKET' USING SOC-FUNCTION S MSG FLAGS ERRNO RETCODE.

```

For equivalent PL/I and assembler language declarations, see [“Converting parameter descriptions” on page 205](#).

Parameter values set by the application for the RECVMSG call

S

A value or the address of a halfword binary number specifying the socket descriptor.

MSG

On input, a pointer to a message header into which the message is received upon completion of the call.

Field

Description

NAME

On input, a pointer to a buffer where the sender address is stored upon completion of the call. The storage being pointed to should be for an IPv4 socket address or an IPv6 socket address.

The IPv4 socket address structure contains the following fields:

Field

Description

FAMILY

Output parameter. A halfword binary number specifying the IPv4 addressing family. The value for IPv4 socket descriptor (for example, S parameter) is a decimal 2, indicating AF_INET.

PORT

Output parameter. A halfword binary number specifying the port number of the sending socket.

IP-ADDRESS

Output parameter. A fullword binary number specifying the 32-bit IPv4 Internet address of the sending socket.

RESERVED

Output parameter. An 8-byte reserved field. This field is required, but is not used.

The IPv6 socket address structure contains the following fields:

Field

Description

FAMILY

Output parameter. A halfword binary field specifying the IPv6 addressing family. The value for IPv6 socket descriptor (for example, S parameter) is a decimal 19, indicating AF_INET6.

PORT

Output parameter. A halfword binary number specifying the port number of the sending socket.

FLOW-INFO

Output parameter. A fullword binary field specifying the traffic class and flow label. The value of this field is undefined.

IP-ADDRESS

Output parameter. A two doubleword, 16-byte binary field specifying the 128-bit IPv6 Internet address, in network byte order, of the sending socket.

SCOPE-ID

A fullword binary field which identifies a set of interfaces as appropriate for the scope of the address carried in the IP-ADDRESS field. For a link scope IP-ADDRESS, SCOPE-ID contains the link index for the IP-ADDRESS. For all other address scopes, SCOPE-ID is undefined.

NAME-LEN

On input, a pointer to the size of the NAME buffer that is filled in on completion of the call.

IOV

On input, a pointer to an array of tripleword structures with the number of structures equal to the value in IOVCNT and the format of the structures as follows:

Fullword 1

A pointer to the address of a data buffer. The data buffer must be in the home address space.

Fullword 2

Reserved. This storage is cleared.

Fullword 3

A pointer to the length of the data buffer referenced in fullword 1.

In COBOL, the IOV structure must be defined separately in the Linkage portion, as shown in the example.

IOVCNT

On input, a pointer to a fullword binary field specifying the number of data buffers provided for this call.

ACCRIGHTS

On input, a pointer to the access rights received. This field is ignored.

ACCRLEN

On input, a pointer to the length of the access rights received. This field is ignored.

FLAGS

A fullword binary field that should be 4 bytes in length.

Literal value	Binary value	Description
NO-FLAG	x'00000000'	Read data.
MSG-OOB	x'00000001'	Receive out-of-band data (stream sockets only). Even if the OOB flag is not set, out-of-band data can be read if the SO-OOBINLINE option is set for the socket.
MSG-PEEK	x'00000004'	Peek at the data, but do not destroy data. If the peek flag is set, the next receive operation reads the same data.
MSG-WAITALL	x'00000040'	Requests that the function block until the full amount of data requested can be returned (stream sockets only). The function might return a smaller amount of data if the connection is terminated, an error is pending, or the SO_RCVTIMEO value is set and the timer expired for the socket.

Parameter values returned by the application for the RECVMSG call**ERRNO**

A fullword binary field. If RETCODE is negative, this contains an error number. See [Appendix B, "Return codes,"](#) on page 381 for information about ERRNO return codes.

RETCODE

A fullword binary field with the following values:

Value**Description****<0**

Call returned error. See ERRNO field.

0

Connection partner has closed connection.

>0

Number of bytes read.

SELECT call

In a process where multiple I/O operations can occur, it is necessary for the program to be able to wait on one or several of the operations to complete. For example, consider a program that issues a READ

to multiple sockets whose blocking mode is set. Because the socket would block on a READ call, only one socket could be read at a time. Setting the sockets nonblocking would solve this problem, but would require polling each socket repeatedly until data became available. The SELECT call allows you to test several sockets and to execute a subsequent I/O call only when one of the tested sockets is ready, thereby ensuring that the I/O call does not block.

To use the SELECT call as a timer in your program, do one of the following:

- Set the read, write, and exception arrays to zeros.
- Specify MAXSOC <= 0.

The following requirements apply to this call:

Requirement	Description
Authorization:	Supervisor state or problem state, any PSW key
Dispatchable unit mode:	Task
Cross memory mode:	PASN = HASN
Amode:	31-bit or 24-bit
ASC mode:	Primary address space control (ASC) mode
Interrupt status:	Enabled for interrupts
Locks:	Unlocked
Control parameters:	All parameters must be addressable by the caller and in the primary address space

Defining which sockets to test for the SELECT call

The SELECT call monitors for read operations, write operations, and exception operations:

- When a socket is ready to read, one of the following has occurred:
 - A buffer for the specified sockets contains input data. If input data is available for a given socket, a read operation on that socket does not block.
 - A connection has been requested on that socket.
- When a socket is ready to write, TCP/IP stacks can accommodate additional output data. If TCP/IP stacks can accept additional output for a given socket, a write operation on that socket does not block.
- When an exception condition has occurred on a specified socket it is an indication that a TAKESOCKET has occurred for that socket.
- A timeout occurs on the SELECT call. The timeout period can be specified when the SELECT call is issued.

Each socket descriptor is represented by a bit in a bit string. The bit strings are contained in 32-bit fullwords, numbered from right to left. The rightmost bit of the first fullword represents socket descriptor 0 and the leftmost bit of the first fullword represents socket descriptor 31. If your process uses 32 or fewer sockets, the bit string is one fullword. If your process uses 33 sockets, the bit string is two fullwords. The rightmost bit of the second fullword represents socket descriptor 32, and the leftmost bit of the second fullword represents socket descriptor 63. This pattern repeats itself for each subsequent fullword. That is, the leftmost bit of fullword n represents socket 32n-1 and the rightmost bit represents socket 32(n-1).

You define the sockets that you want to test by turning on bits in the string. Although the bits in the fullwords are numbered from right to left, the fullwords are numbered from left to right with the leftmost fullword representing socket descriptor 0–31. For example:

First fullword socket descriptor 31...0	Second fullword socket descriptor 63...32	Third fullword socket descriptor 95...64
--	--	---

Note: To simplify string processing in COBOL, you can use the program EZACIC06 to convert each bit in the string to a character. For more information, see [“EZACIC06 program” on page 338](#).

Calls included for read operations

Read operations include ACCEPT, READ, READV, RECV, RECVFROM, or RECVMSG calls. A socket is ready to be read when data has been received for it, or when a connection request has occurred.

To test whether any of several sockets is ready for reading, set the appropriate bits in RSNDSK to one before issuing the SELECT call. When the SELECT call returns, the corresponding bits in the RRETMSK indicate sockets ready for reading.

Write operations

A socket is selected for writing (ready to be written) when:

- TCP/IP stacks can accept additional outgoing data.
- The socket is marked nonblocking and a previous CONNECT did not complete immediately. In this case, CONNECT returned an ERRNO with a value of 36 (EINPROGRESS). This socket is selected for write when the CONNECT completes.

A call to SEND, SENDTO, WRITE, or WRITEV blocks when the amount of data to be sent exceeds the amount of data TCP/IP stacks can accept. To avoid this, you can precede the write operation with a SELECT call to ensure that the socket is ready for writing. After a socket is selected for WRITE, the program can determine the amount of TCP/IP stacks buffer space available by issuing the GETSOCKOPT call with the SO-SNDBUF option.

To test whether any of several sockets is ready for writing, set the WSNDSK bits representing those sockets to one before issuing the SELECT call. When the SELECT call returns, the corresponding bits in the WRETMSK indicate sockets ready for writing.

Exception operations for the SELECT call

For each socket to be tested, the SELECT call can check for an existing exception condition. Two exception conditions are supported:

- The calling program (concurrent server) has issued a GIVESOCKET command and the target child server has successfully issued the TAKESOCKET call. When this condition is selected, the calling program (concurrent server) should issue CLOSE to dissociate itself from the socket.
- A socket has received out-of-band data. On this condition, a READ returns the out-of-band data ahead of program data.

To test whether any of several sockets have an exception condition, set the ESNDSK bits representing those sockets to one. When the SELECT call returns, the corresponding bits in the ERETMSK indicate sockets with exception conditions.

MAXSOC parameter for the SELECT call

The SELECT call must test each bit in each string before the call returns any results. For efficiency, the MAXSOC parameter can be used to specify the largest socket descriptor number that needs to be tested for any event type. The SELECT call tests only bits in the range 0 up to the MAXSOC value minus 1. For example, if the MAXSOC parameter is set to 50, the range is 0 - 49.

TIMEOUT parameter for the SELECT call

If the time specified in the TIMEOUT parameter elapses before any event is detected, the SELECT call returns and RETCODE is set to 0.

[Figure 153 on page 294](#) shows an example of SELECT call instructions.

```

WORKING-STORAGE SECTION.
01 SOC-FUNCTION PIC X(16) VALUE IS 'SELECT'.
01 MAXSOC PIC 9(8) BINARY.
01 TIMEOUT.
03 TIMEOUT-SECONDS PIC 9(8) BINARY.
03 TIMEOUT-MICROSEC PIC 9(8) BINARY.
01 RSNDSK PIC X(*).
01 WSNDSK PIC X(*).
01 ESNDSK PIC X(*).
01 RRETSK PIC X(*).
01 WRETSK PIC X(*).
01 ERETSK PIC X(*).
01 ERRNO PIC 9(8) BINARY.
01 RETCODE PIC S9(8) BINARY.

PROCEDURE DIVISION.
CALL 'EZASOKET' USING SOC-FUNCTION MAXSOC TIMEOUT
RSNDSK WSNDSK ESNDSK
RRETSK WRETSK ERETSK
ERRNO RETCODE.

```

* The bit mask lengths can be determined from the expression:

```
((maximum socket number +32)/32 (drop the remainder))*4
```

Figure 153. SELECT call instruction example

Bit masks are 32-bit fullwords with one bit for each socket. Up to 32 sockets fit into one 32-bit mask [PIC X(4)]. If you have 33 sockets, you must allocate two 32-bit masks [PIC X(8)].

For equivalent PL/I and assembler language declarations, see [“Converting parameter descriptions” on page 205](#).

Parameter values set by the application for the SELECT call

SOC-FUNCTION

A 16-byte character field containing SELECT. The field is left-aligned and padded on the right with blanks.

MAXSOC

A fullword binary field that specifies the largest socket descriptor number being checked. The SELECT call tests only bits in the range 0 through the MAXSOC value minus 1. For example, if the MAXSOC value is set to 50, the bits that are tested are in the range 0 - 49.

Guideline: For the INITAPI call, the MAXSOC field is a halfword binary field. Therefore, do not reuse this field for the SELECT and INITAPI calls.

TIMEOUT

If TIMEOUT is a positive value, it specifies the maximum interval to wait for the selection to complete. If TIMEOUT-SECONDS is a negative value, the SELECT call blocks until a socket becomes ready or an ECB in a list is posted. To poll the sockets and return immediately, specify the TIMEOUT value to be 0.

TIMEOUT is specified in the two-word TIMEOUT as follows:

- TIMEOUT-SECONDS, word one of the TIMEOUT field, is the seconds component of the timeout value.
- TIMEOUT-MICROSEC, word two of the TIMEOUT field, is the microseconds component of the timeout value (0–999999).

For example, if you want SELECT to timeout after 3.5 seconds, set TIMEOUT-SECONDS to 3 and TIMEOUT-MICROSEC to 500000.

RSNDSK

A bit string sent to request read event status.

- For each socket to be checked for pending read events, the corresponding bit in the string should be set to 1.

- For sockets to be ignored, the value of the corresponding bit should be set to 0.

If this parameter is set to all zeros, the SELECT does not check for read events.

WSNDMSK

A bit string sent to request write event status.

- For each socket to be checked for pending write events, the corresponding bit in the string should be set to set.
- For sockets to be ignored, the value of the corresponding bit should be set to 0.

If this parameter is set to all zeros, the SELECT does not check for write events.

ESNDMSK

A bit string sent to request exception event status.

- For each socket to be checked for pending exception events, the corresponding bit in the string should be set to set.
- For each socket to be ignored, the corresponding bit should be set to 0.

If this parameter is set to all zeros, the SELECT does not check for exception events.

Parameter values returned to the application for the SELECT call

RRETMSK

A bit string returned with the status of read events. The length of the string should be equal to the maximum number of sockets to be checked. For each socket that is ready to read, the corresponding bit in the string is set to 1; bits that represent sockets that are not ready to read are set to 0.

WRETMSK

A bit string returned with the status of write events. The length of the string should be equal to the maximum number of sockets to be checked. For each socket that is ready to write, the corresponding bit in the string is set to 1; bits that represent sockets that are not ready to be written are set to 0.

ERETMSK

A bit string returned with the status of exception events. The length of the string should be equal to the maximum number of sockets to be checked. For each socket that has an exception status, the corresponding bit is set to 1; bits that represent sockets that do not have exception status are set to 0.

ERRNO

A fullword binary field. If RETCODE is negative, the field contains an error number. See [Appendix B, "Return codes,"](#) on page 381 for information about ERRNO return codes.

RETCODE

A fullword binary field that returns one of the following:

Value

Description

>0

Indicates the sum of all ready sockets in the three masks

0

Indicates that the SELECT time limit has expired

-1

Check ERRNO for an error code

SELECTEX call

The SELECTEX call monitors a set of sockets, a time value and an ECB or list of ECBs. It completes when either one of the sockets has activity, the time value expires, or one of the ECBs is posted.

To use the SELECTEX call as a timer in your program, do either of the following:

- Set the read, write, and exception arrays to zeros

- Specify MAXSOC ≤ 0

The following requirements apply to this call:

Requirement	Description
Authorization:	Supervisor state or problem state, any PSW key
Dispatchable unit mode:	Task
Cross memory mode:	PASN = HASN
Amode:	31-bit or 24-bit
ASC mode:	Primary address space control (ASC) mode
Interrupt status:	Enabled for interrupts
Locks:	Unlocked
Control parameters:	All parameters must be addressable by the caller and in the primary address space

Figure 154 on page 297 shows an example of SELECTEX call instructions.

If an application intends to pass a single ECB on the SELECTEX call, then the corresponding working storage definitions and CALL instruction should be coded as follows:

```
WORKING-STORAGE SECTION.
  01 SOC-FUNCTION    PIC X(16)  VALUE IS 'SELECTEX'.
  01 MAXSOC          PIC 9(8)   BINARY.
  01 TIMEOUT.
     03 TIMEOUT-SECONDS    PIC 9(8) BINARY.
     03 TIMEOUT-MINUTES   PIC 9(8) BINARY.
  01 RSNDSK         PIC X(*).
  01 WSNDSK         PIC X(*).
  01 ESNDSK         PIC X(*).
  01 RRETSK         PIC X(*).
  01 WRETSK         PIC X(*).
  01 ERETSK         PIC X(*).
  01 SELECB         PIC X(4).
  01 ERRNO          PIC 9(8)   BINARY.
  01 RETCODE        PIC S9(8)  BINARY.
```

Where * is the size of the select mask

```
PROCEDURE DIVISION.
  CALL 'EZASOKET' USING SOC-FUNCTION MAXSOC TIMEOUT
                  RSNDSK WSNDSK ESNDSK
                  RRETSK WRETSK ERETSK
                  SELECB ERRNO RETCODE.
```

Where * is the size of the select mask.

```
PROCEDURE DIVISION.
  CALL 'EZASOKET' USING SOC-FUNCTION MAXSOC TIMEOUT
                  RSNDSK WSNDSK ESNDSK
                  RRETSK WRETSK ERETSK
                  SELECB ERRNO RETCODE.
```

However, if the application intends to pass the address of an ECB list on the SELECTEX call, then the application must set the high-order bit in the ECB list address and pass that address using the BY VALUE option as in the following example. The remaining parameters must be reset to the default value by specifying BY REFERENCE before the ERRNO value:

```
WORKING-STORAGE SECTION.
  01 SOC-FUNCTION    PIC X(16)  VALUE IS 'SELECTEX'.
  01 MAXSOC          PIC 9(8)   BINARY.
  01 TIMEOUT.
     03 TIMEOUT-SECONDS    PIC 9(8) BINARY.
     03 TIMEOUT-MINUTES   PIC 9(8) BINARY.
  01 RSNDSK         PIC X(*).
  01 WSNDSK         PIC X(*).
  01 ESNDSK         PIC X(*).
  01 RRETSK         PIC X(*).
  01 WRETSK         PIC X(*).
  01 ERETSK         PIC X(*).
  01 ECBLIST-PTR    USAGE IS POINTER.
  01 ERRNO          PIC 9(8)   BINARY.
  01 RETCODE        PIC S9(8)  BINARY.
```

An asterisk (*) represents the size of the select mask.

```
PROCEDURE DIVISION.
  CALL 'EZASOKET' USING SOC-FUNCTION MAXSOC TIMEOUT
                  RSNDSK WSNDSK ESNDSK
                  RRETSK WRETSK ERETSK
                  BY VALUE ECBLIST-PTR
                  BY REFERENCE ERRNO RETCODE.
```

Figure 154. SELECTEX call instruction example

Defining which sockets to test for the SELECTEX call

The SELECTEX call monitors for read operations, write operations, and exception operations:

- When a socket is ready to read, one of the following has occurred:

- A buffer for the specified sockets contains input data. If input data is available for a given socket, a read operation on that socket does not block.
- A connection has been requested on that socket.
- When a socket is ready to write, TCP/IP stacks can accommodate additional output data. If TCP/IP stacks can accept additional output for a given socket, a write operation on that socket does not block.
- When an exception condition has occurred on a specified socket it is an indication that a TAKESOCKET has occurred for that socket.
- A timeout occurs on the SELECTEX call. The timeout period can be specified when the SELECTEX call is issued.
- The ECB (or one of the ECBs in the ECB list) passed on the SELECTEX call has been posted.

Each socket descriptor is represented by a bit in a bit string. The bit strings are contained in 32-bit fullwords, numbered from right to left. The rightmost bit of the first fullword represents socket descriptor 0 and the leftmost bit of the first fullword represents socket descriptor 31. If your process uses 32 or fewer sockets, the bit string is one fullword. If your process uses 33 sockets, the bit string is two fullwords. The rightmost bit of the second fullword represents socket descriptor 32, and the leftmost bit of the second fullword represents socket descriptor 63. This pattern repeats itself for each subsequent fullword. That is, the leftmost bit of fullword n represents socket $32n-1$ and the rightmost bit represents socket $32(n-1)$.

You define the sockets that you want to test by turning on bits in the string. Although the bits in the fullwords are numbered from right to left, the fullwords are numbered from left to right with the leftmost fullword representing socket descriptor 0-31. For example:

First fullword socket descriptor 31...0	Second fullword socket descriptor 63...32	Third fullword socket descriptor 95...64
--	--	---

Note: To simplify string processing in COBOL, you can use the program EZACIC06 to convert each bit in the string to a character. For more information, see the EZACIC06 topic.

Read operations for the SELECTEX call

Read operations include ACCEPT, READ, READV, RECV, RECVFROM, or RECVMSG calls. A socket is ready to be read when data has been received for it, or when a connection request has occurred.

To test whether any of several sockets is ready for reading, set the appropriate bits in RSNDSK to one before issuing the SELECTEX call. When the SELECTEX call returns, the corresponding bits in the RRETMSK indicate sockets ready for reading.

Write operations for the SELECTEX call

A socket is selected for writing (ready to be written) when:

- TCP/IP stacks can accept additional outgoing data.
- The socket is marked nonblocking and a previous CONNECT did not complete immediately. In this case, CONNECT returned an ERRNO with a value of 36 (EINPROGRESS). This socket is selected for write when the CONNECT completes.

A call to SEND, SENDTO, WRITE, or WRITEV blocks when the amount of data to be sent exceeds the amount of data TCP/IP stacks can accept. To avoid this, you can precede the write operation with a SELECTEX call to ensure that the socket is ready for writing. After a socket is selected for WRITE, the program can determine the amount of TCP/IP stacks buffer space available by issuing the GETSOCKOPT call with the SO-SNDBUF option.

To test whether any of several sockets is ready for writing, set the WSNDSK bits representing those sockets to one before issuing the SELECTEX call. When the SELECTEX call returns, the corresponding bits in the WRETMSK indicate sockets ready for writing.

Exception operations for the SELECTEX call

For each socket to be tested, the SELECTEX call can check for an existing exception condition. Two exception conditions are supported:

- The calling program (concurrent server) has issued a GIVESOCKET command and the target child server has successfully issued the TAKESOCKET call. When this condition is selected, the calling program (concurrent server) should issue CLOSE to dissociate itself from the socket.
- A socket has received out-of-band data. On this condition, a READ returns the out-of-band data ahead of program data.

To test whether any of several sockets have an exception condition, set the ESNDMSK bits representing those sockets to one. When the SELECTEX call returns, the corresponding bits in the ERETMSK indicate sockets with exception conditions.

MAXSOC parameter for the SELECTEX call

The SELECTEX call must test each bit in each string before the returns any results. For efficiency, the MAXSOC parameter can be used to specify the largest socket descriptor number that needs to be tested for any event type. The SELECTEX call tests only bits in the range 0 up to the MAXSOC value minus 1. For example, if MAXSOC is set to 50, the range is 0 - 49.

TIMEOUT parameter for the SELECTEX call

If the time specified in the TIMEOUT parameter elapses before any event is detected, the SELECTEX call returns and RETCODE is set to 0.

Parameter values set by the application for the SELECTEX call

MAXSOC

A fullword binary field that specifies the largest socket descriptor number being checked. The SELECT call tests bits in the range 0 through the MAXSOC value minus 1. For example, if the MAXSOC value is set to 50, the bits that would be tested are in the range 0 - 49.

TIMEOUT

If TIMEOUT is a positive value, it specifies a maximum interval to wait for the selection to complete. If TIMEOUT-SECONDS is a negative value, the SELECT call blocks until a socket becomes ready. To poll the sockets and return immediately, set TIMEOUT to be zeros.

TIMEOUT is specified in the two-word TIMEOUT as follows:

- TIMEOUT-SECONDS, word one of the TIMEOUT field, is the seconds component of the timeout value.
- TIMEOUT-MICROSEC, word two of the TIMEOUT field, is the microseconds component of the timeout value (0–999999).

For example, if you want SELECTEX to timeout after 3.5 seconds, set TIMEOUT-SECONDS to 3 and TIMEOUT-MICROSEC to 500000.

RSNDMSK

The bit-mask array to control checking for read interrupts. If this parameter is not specified or the specified bit-mask is zeros, the SELECT does not check for read interrupts. The length of this bit-mask array is dependent on the value in MAXSOC.

WSNDMSK

The bit-mask array to control checking for write interrupts. If this parameter is not specified or the specified bit-mask is zeros, the SELECT does not check for write interrupts. The length of this bit-mask array is dependent on the value in MAXSOC.

ESNDMSK

The bit-mask array to control checking for exception interrupts. If this parameter is not specified or the specified bit-mask is zeros, the SELECT does not check for exception interrupts. The length of this bit-mask array is dependent on the value in MAXSOC.

SELECB

An ECB which, if posted, causes completion of the SELECTEX.

If an ECB list is specified, you must set the high-order bit of the last entry in the ECB list to one to signify it is the last entry, and you must add the LIST keyword. The ECBs must reside in the caller primary address space.

If the application intends to pass the address of an ECB list on the SELECTEX call, then the application must set the high-order bit in the ECB list address and pass that address using the "BY VALUE" option as documented in the following example. The remaining parameters must be set back to the default by specifying "BY REFERENCE" before ERRNO:

```
WORKING-STORAGE SECTION.  
  01 SOC-FUNCTION PIC X(16) VALUE IS 'SELECTEX'.  
  01 MAXSOC PIC 9(8) BINARY.  
  01 TIMEOUT.  
  03 TIMEOUT-SECONDS PIC 9(8) BINARY.  
  03 TIMEOUT-MINUTES PIC 9(8) BINARY.  
  01 RSNDSK PIC X(*).  
  01 WSNDSK PIC X(*).  
  01 ESNDSK PIC X(*).  
  01 RRETSK PIC X(*).  
  01 WRETSK PIC X(*).  
  01 ERETSK PIC X(*).  
  01 ECBLIST-PTR USAGE IS POINTER.  
  01 ERRNO PIC 9(8) BINARY.  
  01 RETCODE PIC S9(8) BINARY.
```

Where * is the size of the select mask

```
PROCEDURE DIVISION.  
  CALL 'EZASOKET' USING SOC-FUNCTION MAXSOC TIMEOUT  
  RSNDSK WSNDSK ESNDSK  
  RRETSK WRETSK ERETSK  
  BY VALUE ECBLIST-PTR  
  BY REFERENCE ERRNO RETCODE.
```

Note:

- The maximum number of ECBs that can be specified in a list is 63
- Perform an MVS POST (not a CICS POST) to post the ECB.

Parameter values returned by the application for the SELECTEX call

ERRNO

A fullword binary field; if RETCODE is negative, this contains an error number. See [Appendix B, "Return codes,"](#) on page 381 for information about ERRNO return codes.

RETCODE

A fullword binary field

Value

Meaning

>0

The number of ready sockets.

0

Either the SELECTEX time limit has expired (ECB value is 0) or one of the caller's ECBs has been posted (ECB value is nonzero and the caller's descriptor sets are set to 0). The caller must initialize the ECB values to 0 before issuing the SELECTEX call.

-1

Error; check ERRNO.

RRETSK

The bit-mask array returned by the SELECT if RSNDSK is specified. The length of this bit-mask array is dependent on the value in MAXSOC.

WRETMSK

The bit-mask array returned by the SELECT if WSNMMSK is specified. The length of this bit-mask array is dependent on the value in MAXSOC.

ERETMSK

The bit-mask array returned by the SELECT if ESNMMSK is specified. The length of this bit-mask array is dependent on the value in MAXSOC.

Note: See EZACIC06 for information about bits mask conversion.

Note: See [Appendix E, “Sample programs,”](#) on page 485 for sample programs.

SEND call

The SEND call sends data on a specified connected socket.

The FLAGS field allows you to:

- Send out-of-band data, for example, interrupts, aborts, and data marked urgent. Only stream sockets created in the AF_INET or AF_INET6 address family support out-of-band data.
- Suppress use of local routing tables. This implies that the caller takes control of routing and writing network software.

For datagram sockets, SEND transmits the entire datagram if it fits into the receiving buffer. Extra data is discarded.

For stream sockets, data is processed as streams of information with no boundaries separating the data. For example, if a program is required to send 1000 bytes, each call to this function can send any number of bytes, up to the entire 1000 bytes, with the number of bytes sent returned in RETCODE. Therefore, programs using stream sockets should place this call in a loop, reissuing the call until all data has been sent.

Note: See [“EZACIC04 program”](#) on page 336 for a subroutine that translates EBCDIC input data to ASCII.

The following requirements apply to this call:

Requirement	Description
Authorization:	Supervisor state or problem state, any PSW key
Dispatchable unit mode:	Task
Cross memory mode:	PASN = HASN
Amode:	31-bit or 24-bit
ASC mode:	Primary address space control (ASC) mode
Interrupt status:	Enabled for interrupts
Locks:	Unlocked
Control parameters:	All parameters must be addressable by the caller and in the primary address space

[Figure 155 on page 302](#) shows an example of SEND call instructions.

```

WORKING-STORAGE SECTION.
  01 SOC-FUNCTION PIC X(16) VALUE IS 'SEND'.
  01 S PIC 9(4) BINARY.
  01 FLAGS PIC 9(8) BINARY.
  01 NO-FLAG PIC 9(8) BINARY VALUE IS 0.
  01 OOB PIC 9(8) BINARY VALUE IS 1.
  01 DONT-ROUTE PIC 9(8) BINARY VALUE IS 4.
  01 NBYTE PIC 9(8) BINARY.
  01 BUF PIC X(length of buffer).
  01 ERRNO PIC 9(8) BINARY.
  01 RETCODE PIC S9(8) BINARY.

PROCEDURE DIVISION.
  CALL 'EZASOKET' USING SOC-FUNCTION S FLAGS NBYTE
  BUF ERRNO RETCODE.

```

Figure 155. SEND call instruction example

For equivalent PL/I and assembler language declarations, see [“Converting parameter descriptions”](#) on page 205.

Parameter values set by the application for the SEND call

SOC-FUNCTION

A 16-byte character field containing SEND. The field is left-aligned and padded on the right with blanks.

S

A halfword binary number specifying the socket descriptor of the socket that is sending data.

FLAGS

The binary field should be 4 bytes hexadecimal bytes in length.

Literal value	Binary value	Description
NO-FLAG	x'00000000'	No flag is set. The command behaves like a WRITE call.
MSG-OOB	x'00000001'	Send out-of-band data (stream sockets only). Even if the OOB flag is not set, out-of-band data can be read if the SO-OOBINLINE option is set for the socket.
MSG-DONTRROUTE	x'00000004'	Do not route. Routing is provided by the calling program.

NBYTE

A fullword binary number set to the number of bytes of data to be transferred.

BUF

The buffer containing the data to be transmitted. BUF should be the size specified in NBYTE.

Parameter values returned to the application for the SEND call

ERRNO

A fullword binary field. If RETCODE is negative, the field contains an error number. See [Appendix B, “Return codes,”](#) on page 381 for information about ERRNO return codes.

RETCODE

A fullword binary field that returns one of the following:

Value
Description

≥0

A successful call. The value is set to the number of bytes transmitted.

-1

Check ERRNO for an error code

SENDMSG call

The SENDMSG call sends messages on a socket with descriptor S passed in an array of messages.

The following requirements apply to this call:

Requirement	Description
Authorization:	Supervisor state or problem state, any PSW key
Dispatchable unit mode:	Task
Cross memory mode:	PASN = HASN
Amode:	31-bit or 24-bit
ASC mode:	Primary address space control (ASC) mode
Interrupt status:	Enabled for interrupts
Locks:	Unlocked
Control parameters:	All parameters must be addressable by the caller and in the primary address space

Figure 156 on page 303 shows an example of SENDMSG call instructions.

Figure 156. SENDMSG call instruction example

```
WORKING-STORAGE SECTION.
  01 SOC-FUNCTION PIC X(16) VALUE IS 'SENDMSG'.
  01 S PIC 9(4) BINARY.
  01 MSG.
    03 NAME USAGE IS POINTER.
    03 NAME-LEN USAGE IS POINTER.
    03 IOV USAGE IS POINTER.
    03 IOVCNT USAGE IS POINTER.
    03 ACCRIGHTS USAGE IS POINTER.
    03 ACCRLEN USAGE IS POINTER.

  01 FLAGS PIC 9(8) BINARY.
  01 NO-FLAG PIC 9(8) BINARY VALUE IS 0.
  01 OOB PIC 9(8) BINARY VALUE IS 1.
  01 DONTRROUTE PIC 9(8) BINARY VALUE IS 4.
  01 ERRNO PIC 9(8) BINARY.
  01 RETCODE PIC S9(8) BINARY.

  01 SENDMSG-IPV4ADDR PIC 9(8) BINARY.
  01 SENDMSG-IPV6ADDR.
    03 FILLER PIC 9(16) BINARY.
    03 FILLER PIC 9(16) BINARY.

LINKAGE SECTION.
  01 L1
    03 SENDMSG-IOVECTOR.
      05 IOV1A USAGE IS POINTER.
      05 IOV1AL PIC 9(8) COMP.
      05 IOV1L PIC 9(8) COMP.
      05 IOV2A USAGE IS POINTER.
      05 IOV2AL PIC 9(8) COMP.
      05 IOV2L PIC 9(8) COMP.
      05 IOV3A USAGE IS POINTER.
      05 IOV3AL PIC 9(8) COMP.
      05 IOV3L PIC 9(8) COMP.
```

```
*
* IPv4 Socket Address Structure.
*
  03 SENDMSG-NAME.
```

```

05 FAMILY          PIC 9(4) BINARY.
05 PORT            PIC 9(4) BINARY.
05 IP-ADDRESS      PIC 9(8) BINARY.
05 RESERVED        PIC X(8) .

*
* IPv6 Socket Address Structure.
*
03 SENDMSG-NAME .
05 FAMILY          PIC 9(4) BINARY.
05 PORT            PIC 9(4) BINARY.
05 FLOW-INFO       PIC 9(8) BINARY.
05 IP-ADDRESS .
    10 FILLER      PIC 9(16) BINARY.
    10 FILLER      PIC 9(16) BINARY.
05 SCOPE-ID        PIC 9(8) BINARY.

03 SENDMSG-BUFFER1 PIC X(16) .
03 SENDMSG-BUFFER2 PIC X(16) .
03 SENDMSG-BUFFER3 PIC X(16) .
03 SENDMSG-BUFNO   PIC 9(8) COMP.

PROCEDURE DIVISION USING L1.

* For IPv6
MOVE 19 TO FAMILY.
MOVE 1234 TO PORT.
MOVE 0 TO FLOW-INFO.
MOVE SENDMSG-IPV6ADDR TO IP-ADDRESS.
MOVE 0 TO SCOPE-ID.

* For IPv4
MOVE 2 TO FAMILY.
MOVE 1234 TO PORT.
MOVE SENDMSG-IPV4ADDR TO IP-ADDRESS.

SET NAME TO ADDRESS OF SENDMSG-NAME.
SET IOV TO ADDRESS OF SENDMSG-IOVECTOR.
MOVE LENGTH OF SENDMSG-NAME TO NAME-LEN.
SET IOVCNT TO ADDRESS OF SENDMSG-BUFNO.
SET IOV1A TO ADDRESS OF SENDMSG-BUFFER1.
MOVE 0 TO IOV1AL.
MOVE LENGTH OF SENDMSG-BUFFER1 TO IOV1L.
SET IOV2A TO ADDRESS OF SENDMSG-BUFFER2.
MOVE 0 TO IOV2AL.
MOVE LENGTH OF SENDMSG-BUFFER2 TO IOV2L.
SET IOV3A TO ADDRESS OF SENDMSG-BUFFER3.
MOVE 0 TO IOV3AL.
MOVE LENGTH OF SENDMSG-BUFFER3 TO IOV3L.
SET ACCRIGHTS TO NULLS.
SET ACCRLEN TO NULLS.
MOVE 0 TO FLAGS.
MOVE "MESSAGE TEXT 1" TO SENDMSG-BUFFER1.
MOVE "MESSAGE TEXT 2" TO SENDMSG-BUFFER2.
MOVE "MESSAGE TEXT 3" TO SENDMSG-BUFFER3.

CALL 'EZASOKET' USING SOC-FUNCTION MSG FLAGS ERRNO RETCODE.

```

For equivalent PL/I and assembler language declarations, see [“Converting parameter descriptions”](#) on page 205.

Parameter values set by the application for the SENDMSG call

S

A value or the address of a halfword binary number specifying the socket descriptor.

MSG

A pointer to an array of message headers from which messages are sent.

Field

Description

NAME

On input, a pointer to a buffer where the sender's address is stored upon completion of the call. The storage being pointed to should be for an IPv4 socket address or an IPv6 socket address.

The IPv4 socket address structure contains the following fields:

Field

Description

FAMILY

A halfword binary number specifying the IPv4 addressing family. The value for IPv4 socket descriptor (that is, S parameter) is a decimal 2, indicating AF_INET.

PORT

A halfword binary number specifying the port number of the sending socket.

IP-ADDRESS

A fullword binary number specifying the 32-bit IPv4 Internet address of the sending socket.

RESERVED

An 8-byte reserved field. This field is required, but is not used.

The IPv6 socket address structure contains the following fields:

Field**Description****FAMILY**

A halfword binary field specifying the IPv6 addressing family. The value for IPv6 socket descriptor (for example, S parameter) is a decimal 19, indicating AF_INET6.

PORT

A halfword binary number specifying the port number of the sending socket.

FLOW-INFO

A fullword binary field specifying the traffic class and flow label. This field must be set to zero.

IP-ADDRESS

A two doubleword, 16-byte binary field specifying the 128-bit IPv6 Internet address, in network byte order, of the sending socket.

SCOPE-ID

A fullword binary field which identifies a set of interfaces as appropriate for the scope of the address carried in the IP-ADDRESS field. A value of zero indicates the SCOPE-ID field does not identify the set of interfaces to be used, and can be specified for any address types and scopes. For a link scope IP-ADDRESS, SCOPE-ID can specify a link index which identifies a set of interfaces. For all other address scopes, SCOPE-ID must be set to zero.

NAME-LEN

On input, a pointer to the size of the address buffer that is filled in on completion of the call.

IOV

On input, a pointer to an array of three fullword structures with the number of structures equal to the value in IOVCNT and the format of the structures as follows:

Fullword 1

A pointer to the address of a data buffer

Fullword 2

Reserved

Fullword 3

A pointer to the length of the data buffer referenced in Fullword 1.

In COBOL, the IOV structure must be defined separately in the Linkage portion, as shown in the example.

IOVCNT

On input, a pointer to a fullword binary field specifying the number of data buffers provided for this call.

ACCRIGHTS

On input, a pointer to the access rights received. This field is ignored.

ACCRLLEN

On input, a pointer to the length of the access rights received. This field is ignored.

FLAGS

The binary field should be 4 bytes hexadecimal bytes in length.

Literal value	Binary value	Description
NO-FLAG	x'00000000'	No flag is set. The command behaves like a WRITE call.
MSG-OOB	x'00000001'	Send out-of-band data (stream sockets only). Even if the OOB flag is not set, out-of-band data can be read if the SO-OOBINLINE option is set for the socket.
MSG-DONROUTE	x'00000004'	Do not route. Routing is provided by the calling program.

Parameter values returned by the application for the SENDMSG call

ERRNO

A fullword binary field. If RETCODE is negative, this contains an error number. See [Appendix B, "Return codes,"](#) on page 381 for information about ERRNO return codes.

RETCODE

A fullword binary field that returns one of the following:

Value

Description

≥0

A successful call. The value is set to the number of bytes transmitted.

-1

Check ERRNO for an error code.

SENDTO call

SENDTO is similar to SEND, except that it includes the destination address parameter. The destination address allows you to use the SENDTO call to send datagrams on a UDP socket, regardless of whether the socket is connected.

The FLAGS parameter allows you to:

- Send out-of-band data such as interrupts, aborts, and data marked as urgent.
- Suppress use of local routing tables. This implies that the caller takes control of routing, which requires writing network software.

For datagram sockets SENDTO transmits the entire datagram if it fits into the receiving buffer. Extra data is discarded.

For stream sockets, data is processed as streams of information with no boundaries separating the data. For example, if a program is required to send 1000 bytes, each call to this function can send any number of bytes, up to the entire 1000 bytes, with the number of bytes sent returned in RETCODE. Therefore, programs using stream sockets should place SENDTO in a loop that repeats the call until all data has been sent.

Note: See ["EZACIC04 program"](#) on page 336 for a subroutine that translates EBCDIC input data to ASCII.

The following requirements apply to this call:

Requirement	Description
Authorization:	Supervisor state or problem state, any PSW key
Dispatchable unit mode:	Task
Cross memory mode:	PASN = HASN
Amode:	31-bit or 24-bit

Requirement	Description
ASC mode:	Primary address space control (ASC) mode
Interrupt status:	Enabled for interrupts
Locks:	Unlocked
Control parameters:	All parameters must be addressable by the caller and in the primary address space

Figure 157 on page 307 shows an example of SENDTO call instructions.

```

WORKING-STORAGE SECTION.
  01 SOC-FUNCTION PIC X(16) VALUE IS 'SENDTO'.
  01 S PIC 9(4) BINARY.
  01 FLAGS PIC 9(8) BINARY.
  01 NO-FLAG PIC 9(8) BINARY VALUE IS 0.
  01 OOB PIC 9(8) BINARY VALUE IS 1.
  01 DONT-ROUTE PIC 9(8) BINARY VALUE IS 4.
  01 NBYTE PIC 9(8) BINARY.
  01 BUF PIC X(length of buffer).

*
* IPv4 Socket Address Structure.
*
  01 NAME.
    03 FAMILY PIC 9(4) BINARY.
    03 PORT PIC 9(4) BINARY.
    03 IP-ADDRESS PIC 9(8) BINARY.
    03 RESERVED PIC X(8).

*
* IPv6 Socket Address Structure.
*
  01 NAME.
    03 FAMILY PIC 9(4) BINARY.
    03 PORT PIC 9(4) BINARY.
    03 FLOW-INFO PIC 9(8) BINARY.
    03 IP-ADDRESS.
      05 FILLER PIC 9(16) BINARY.
      05 FILLER PIC 9(16) BINARY.
    03 SCOPE-ID PIC 9(8) BINARY.

  01 ERRNO PIC 9(8) BINARY.
  01 RETCODE PIC S9(8) BINARY.

PROCEDURE DIVISION.
  CALL 'EZASOKET' USING SOC-FUNCTION S FLAGS NBYTE
    BUF NAME ERRNO RETCODE.

```

Figure 157. SENDTO call instruction example

For equivalent PL/I and assembler language declarations, see [“Converting parameter descriptions” on page 205](#).

Parameter values set by the application for the SENDTO call

SOC-FUNCTION

A 16-byte character field containing SENDTO. The field is left-aligned and padded on the right with blanks.

S

A halfword binary number set to the socket descriptor of the socket sending the data.

FLAGS

A fullword binary field that should be 4 bytes in length.

Literal value	Binary value	Description
NO-FLAG	x'00000000'	No flag is set. The command behaves like a WRITE call.
MSG-OOB	x'00000001'	Send out-of-band data (stream sockets only). Even if the OOB flag is not set, out-of-band data can be read if the SO-OOBINLINE option is set for the socket.
MSG-DONTRROUTE	x'00000004'	Do not route. Routing is provided by the calling program.

NBYTE

A fullword binary number set to the number of bytes to transmit.

BUF

Specifies the buffer containing the data to be transmitted. BUF should be the size specified in NBYTE.

NAME

Specifies the IPv4 socket address structure as follows:

FAMILY

A halfword binary field containing the addressing family. For TCP/IP the value must be a decimal 2, indicating AF_INET.

PORT

A halfword binary field containing the port number bound to the socket.

IP-ADDRESS

A fullword binary field containing the socket's 32-bit IPv4 Internet address.

RESERVED

Specifies an 8-byte reserved field. This field is required, but not used.

Specifies the IPv6 socket address structure as follows:

FAMILY

A halfword binary field containing the addressing family. For TCP/IP stacks the value must be a decimal 19, indicating AF_INET6.

PORT

A halfword binary field containing the port number bound to the socket.

FLOW-INFO

A fullword binary field specifying the traffic class and flow label. This field must be set to zero.

IP-ADDRESS

A 16-byte binary field containing the socket's 128-bit IPv6 Internet address.

SCOPE-ID

A fullword binary field which identifies a set of interfaces as appropriate for the scope of the address carried in the IP-ADDRESS field. A value of zero indicates the SCOPE-ID field does not identify the set of interfaces to be used, and can be specified for any address types and scopes. For a link scope IP-ADDRESS, SCOPE-ID can specify a link index which identifies a set of interfaces. For all other address scopes, SCOPE-ID must be set to zero.

Parameter values returned to the application for the SENDTO call

ERRNO

A fullword binary field. If RETCODE is negative, the field contains an error number. See [Appendix B, "Return codes,"](#) on page 381 for information about ERRNO return codes.

RETCODE

A fullword binary field that returns one of the following:

Value**Description****≥0**

A successful call. The value is set to the number of bytes transmitted.

-1

Check ERRNO for an error code

SETSOCKOPT call

The SETSOCKOPT call sets the options associated with a socket.

The OPTVAL and OPTLEN parameters are used to pass data used by the particular set command. The OPTVAL parameter points to a buffer containing the data needed by the set command. The OPTLEN parameter must be set to the size of the data pointed to by OPTVAL.

The following requirements apply to this call:

Description	Description
Authorization:	Supervisor state or problem state, any PSW key
Dispatchable unit mode:	Task
Cross memory mode:	PASN = HASN
Amode:	31-bit or 24-bit
ASC mode:	Primary address space control (ASC) mode
Interrupt status:	Enabled for interrupts
Locks:	Unlocked
Control parameters:	All parameters must be addressable by the caller and in the primary address space

Figure 158 on page 309 shows an example of SETSOCKOPT call instructions.

```

WORKING-STORAGE SECTION.
  01 SOC-FUNCTION PIC X(16) VALUE IS 'SETSOCKOPT'.
  01 S PIC 9(4) BINARY.
  01 OPTNAME PIC 9(8) BINARY.
  01 OPTVAL PIC 9(8) BINARY.
  01 OPTLEN PIC 9(8) BINARY.
  01 ERRNO PIC 9(8) BINARY.
  01 RETCODE PIC S9(8) BINARY.

PROCEDURE DIVISION.
  CALL 'EZASOKET' USING SOC-FUNCTION S OPTNAME
    OPTVAL OPTLEN ERRNO RETCODE.

```

Figure 158. SETSOCKOPT call instruction example

For equivalent PL/I and assembler language declarations, see [“Converting parameter descriptions”](#) on page 205.

Parameter values set by the application for the SETSOCKOPT call

SOC-FUNCTION

A 16-byte character field containing 'SETSOCKOPT'. The field is left-aligned and padded to the right with blanks.

S

A halfword binary number set to the socket whose options are to be set.

OPTNAME

Input parameter. See “Parameter values returned to the application for the GETSOCKOPT call” on page 243 for a list of the options and their unique requirements. See Appendix C, “GETSOCKOPT/SETSOCKOPT command values,” on page 397 for the numeric values of OPTNAME.

Note: COBOL programs cannot contain field names with the underscore character. Fields representing the option name should contain dashes instead.

OPTVAL

Input parameter. Contains data that further defines the option specified in OPTNAME. See “Parameter values returned to the application for the GETSOCKOPT call” on page 243 for a list of the options and their unique requirements.

OPTLEN

Input parameter. A fullword binary field specifying the length of the data specified in OPTVAL. See “Parameter values returned to the application for the GETSOCKOPT call” on page 243 for how to determine the value of OPTLEN.

Parameter values returned to the application for the SETSOCKOPT call**ERRNO**

A fullword binary field. If RETCODE is negative, the field contains an error number. See Appendix B, “Return codes,” on page 381 for information about ERRNO return codes.

RETCODE

A fullword binary field that returns one of the following:

Value**Description****0**

Successful call.

-1

Check ERRNO for an error code.

Table 23. OPTNAME options for GETSOCKOPT and SETSOCKOPT

OPTNAME options (input)	SETSOCKOPT, OPTVAL (input)	GETSOCKOPT, OPTVAL (output)
<p>IP_ADD_MEMBERSHIP</p> <p>Use this option to enable an application to join a multicast group on a specific interface. An interface has to be specified with this option. Only applications that want to receive multicast datagrams need to join multicast groups.</p> <p>This is an IPv4-only socket option.</p>	<p>Contains the IP_MREQ structure as defined in SYS1.MACLIB(BPXYSOCK). The IP_MREQ structure contains a 4-byte IPv4 multicast address followed by a 4-byte IPv4 interface address.</p> <p>See SEZAINST(CBLOCK) for the PL/I example of IP_MREQ.</p> <p>See SEZAINST(EZACOBOL) for the COBOL example of IP_MREQ.</p>	N/A

Table 23. OPTNAME options for GETSOCKOPT and SETSOCKOPT (continued)

OPTNAME options (input)	SETSOCKOPT, OPTVAL (input)	GETSOCKOPT, OPTVAL (output)
<p>IP_ADD_SOURCE_MEMBERSHIP</p> <p>Use this option to enable an application to join a source multicast group on a specific interface and a specific source address. You must specify an interface and a source address with this option. Applications that want to receive multicast datagrams need to join source multicast groups.</p> <p>This is an IPv4-only socket option.</p>	<p>Contains the IP_MREQ_SOURCE structure as defined in SYS1.MACLIB(BPXYSOCK). The IP_MREQ_SOURCE structure contains a 4-byte IPv4 multicast address followed by a 4-byte IPv4 source address and a 4-byte IPv4 interface address.</p> <p>See SEZAINST(CBLOCK) for the PL/I example of IP_MREQ_SOURCE.</p> <p>See SEZAINST(EZACOBOL) for the COBOL example of IP-MREQ-SOURCE.</p>	<p>N/A</p>
<p>IP_BLOCK_SOURCE</p> <p>Use this option to enable an application to block multicast packets that have a source address that matches the given IPv4 source address. You must specify an interface and a source address with this option. The specified multicast group must have been joined previously.</p> <p>This is an IPv4-only socket option.</p>	<p>Contains the IP_MREQ_SOURCE structure as defined in SYS1.MACLIB(BPXYSOCK). The IP_MREQ_SOURCE structure contains a 4-byte IPv4 multicast address followed by a 4-byte IPv4 source address and a 4-byte IPv4 interface address.</p> <p>See SEZAINST(CBLOCK) for the PL/I example of IP_MREQ_SOURCE.</p> <p>See SEZAINST(EZACOBOL) for the COBOL example of IP-MREQ-SOURCE.</p>	<p>N/A</p>
<p>IP_DROP_MEMBERSHIP</p> <p>Use this option to enable an application to exit a multicast group or to exit all sources for a multicast group.</p> <p>This is an IPv4-only socket option.</p>	<p>Contains the IP_MREQ structure as defined in SYS1.MACLIB(BPXYSOCK). The IP_MREQ structure contains a 4-byte IPv4 multicast address followed by a 4-byte IPv4 interface address.</p> <p>See SEZAINST(CBLOCK) for the PL/I example of IP_MREQ.</p> <p>See SEZAINST(EZACOBOL) for the COBOL example of IP-MREQ.</p>	<p>N/A</p>

Table 23. OPTNAME options for GETSOCKOPT and SETSOCKOPT (continued)

OPTNAME options (input)	SETSOCKOPT, OPTVAL (input)	GETSOCKOPT, OPTVAL (output)
<p>IP_DROP_SOURCE_MEMBERSHIP</p> <p>Use this option to enable an application to exit a source multicast group.</p> <p>This is an IPv4-only socket option.</p>	<p>Contains the IP_MREQ_SOURCE structure as defined in SYS1.MACLIB(BPXYSOCK). The IP_MREQ_SOURCE structure contains a 4-byte IPv4 multicast address followed by a 4-byte IPv4 source address and a 4-byte IPv4 interface address.</p> <p>See SEZAINST(CBLOCK) for the PL/I example of IP_MREQ_SOURCE.</p> <p>See SEZAINST(EZACOBOL) for the COBOL example of IP_MREQ_SOURCE.</p>	<p>N/A</p>
<p>IP_MULTICAST_IF</p> <p>Use this option to set or obtain the IPv4 interface address used for sending outbound multicast datagrams from the socket application.</p> <p>This is an IPv4-only socket option.</p> <p>Note: Multicast datagrams can be transmitted only on one interface at a time.</p>	<p>A 4-byte binary field containing an IPv4 interface address.</p>	<p>A 4-byte binary field containing an IPv4 interface address.</p>
<p>IP_MULTICAST_LOOP</p> <p>Use this option to control or determine whether a copy of multicast datagrams are looped back for multicast datagrams sent to a group to which the sending host itself belongs. The default is to loop the datagrams back.</p> <p>This is an IPv4-only socket option.</p>	<p>A 1-byte binary field.</p> <p>To enable, set to 1.</p> <p>To disable, set to 0.</p>	<p>A 1-byte binary field.</p> <p>If enabled, will contain a 1.</p> <p>If disabled, will contain a 0.</p>
<p>IP_MULTICAST_TTL</p> <p>Use this option to set or obtain the IP time-to-live of outgoing multicast datagrams. The default value is '01'x meaning that multicast is available only to the local subnet.</p> <p>This is an IPv4-only socket option.</p>	<p>A 1-byte binary field containing the value of '00'x to 'FF'x.</p>	<p>A 1-byte binary field containing the value of '00'x to 'FF'x.</p>

Table 23. OPTNAME options for GETSOCKOPT and SETSOCKOPT (continued)

OPTNAME options (input)	SETSOCKOPT, OPTVAL (input)	GETSOCKOPT, OPTVAL (output)
<p>IP_UNBLOCK_SOURCE</p> <p>Use this option to enable an application to unblock a previously blocked source for a given IPv4 multicast group. You must specify an interface and a source address with this option.</p> <p>This is an IPv4-only socket option.</p>	<p>Contains the IP_MREQ_SOURCE structure as defined in SYS1.MACLIB(BPXYSOCK). The IP_MREQ_SOURCE structure contains a 4-byte IPv4 multicast address followed by a 4-byte IPv4 source address and a 4-byte IPv4 interface address.</p> <p>See SEZAINST(CBLOCK) for the PL/I example of IP_MREQ_SOURCE.</p> <p>See SEZAINST(EZACOBOL) for the COBOL example of IP-MREQ-SOURCE.</p>	

Table 23. OPTNAME options for GETSOCKOPT and SETSOCKOPT (continued)

OPTNAME options (input)	SETSOCKOPT, OPTVAL (input)	GETSOCKOPT, OPTVAL (output)
<p>IPV6_ADDR_PREFERENCES</p> <p>Use this option to query or set IPv6 address preferences of a socket. The default source address selection algorithm considers these preferences when it selects an IP address that is appropriate to communicate with a given destination address.</p> <p>This is an AF_INET6-only socket option.</p> <p>Result: These flags are only preferences. The stack could assign a source IP address that does not conform to the IPV6_ADDR_PREFERENCES flags that you specify.</p> <p>Guideline: Use the INET6_IS_SRCADDR function to test whether the source IP address matches one or more IPV6_ADDR_PREFERENCES flags.</p>	<p>Contains the 4-byte flags field IPV6_ADDR_PREFERENCES_FLAGS that is defined in SYS1.MACLIB(BPXYSOCK) with the following flags:</p> <p>IPV6_PREFER_SRC_HOME (X'00000001') Prefer home address</p> <p>IPV6_PREFER_SRC_COA (X'00000002') Prefer care-of address</p> <p>IPV6_PREFER_SRC_TMP (X'00000004') Prefer temporary address</p> <p>IPV6_PREFER_SRC_PUBLIC (X'00000008') Prefer public address</p> <p>IPV6_PREFER_SRC_CGA (X'00000010') Prefer cryptographically generated address</p> <p>IPV6_PREFER_SRC_NONCGA (X'00000020') Prefer non-cryptographically generated address</p> <p>Some of these flags are contradictory. Combining contradictory flags, such as IPV6_PREFER_SRC_CGA and IPV6_PREFER_SRC_NONCGA, results in error code EINVAL.</p> <p>See IPV6_ADDR_PREFERENCES and Mapping of GAI_HINTS/GAI_ADDRINFO EFLAGS in SEZAINST(CBLOCK) for the PL/I example of the OPTNAME and flag definitions.</p> <p>See IPV6_ADDR_PREFERENCES and AI_EFLAGS mappings in SEZAINST(EZACOBOL) for the COBOL example of the OPTNAME and flag definitions.</p>	<p>Contains the 4-byte flags field IPV6_ADDR_PREFERENCES_FLAGS that is defined in SYS1.MACLIB(BPXYSOCK) with the following flags:</p> <p>IPV6_PREFER_SRC_HOME (X'00000001') Prefer home address</p> <p>IPV6_PREFER_SRC_COA (X'00000002') Prefer care-of address</p> <p>IPV6_PREFER_SRC_TMP (X'00000004') Prefer temporary address</p> <p>IPV6_PREFER_SRC_PUBLIC (X'00000008') Prefer public address</p> <p>IPV6_PREFER_SRC_CGA (X'00000010') Prefer cryptographically generated address</p> <p>IPV6_PREFER_SRC_NONCGA (X'00000020') Prefer non-cryptographically generated address</p> <p>See IPV6_ADDR_PREFERENCES and Mapping of GAI_HINTS/GAI_ADDRINFO EFLAGS in SEZAINST(CBLOCK) for the PL/I example of the OPTNAME and flag definitions.</p> <p>See IPV6_ADDR_PREFERENCES and AI_EFLAGS mappings in SEZAINST(EZACOBOL) for the COBOL example of the OPTNAME and flag definitions.</p>

Table 23. OPTNAME options for GETSOCKOPT and SETSOCKOPT (continued)

OPTNAME options (input)	SETSOCKOPT, OPTVAL (input)	GETSOCKOPT, OPTVAL (output)
<p>IPV6_JOIN_GROUP</p> <p>Use this option to control the reception of multicast packets and specify that the socket join a multicast group.</p> <p>This is an IPv6-only socket option.</p>	<p>Contains the IPV6_MREQ structure as defined in SYS1.MACLIB(BPXYSOCK). The IPV6_MREQ structure contains a 16-byte IPv6 multicast address followed by a 4-byte IPv6 interface index number.</p> <p>If the interface index number is 0, then the stack chooses the local interface.</p> <p>See the SEZAINST(CBLOCK) for the PL/I example of IPV6_MREQ.</p> <p>See SEZAINST(EZACOBOL) for the COBOL example of IPV6_MREQ.</p>	<p>N/A</p>
<p>IPV6_LEAVE_GROUP</p> <p>Use this option to control the reception of multicast packets and specify that the socket leave a multicast group.</p> <p>This is an IPv6-only socket option.</p>	<p>Contains the IPV6_MREQ structure as defined in SYS1.MACLIB(BPXYSOCK). The IPV6_MREQ structure contains a 16-byte IPv6 multicast address followed by a 4-byte IPv6 interface index number.</p> <p>If the interface index number is 0, then the stack chooses the local interface.</p> <p>See the SEZAINST(CBLOCK) for the PL/I example of IPV6_MREQ.</p> <p>See SEZAINST(EZACOBOL) for the COBOL example of IPV6_MREQ.</p>	<p>N/A</p>
<p>IPV6_MULTICAST_HOPS</p> <p>Use to set or obtain the hop limit used for outgoing multicast packets.</p> <p>This is an IPv6-only socket option.</p>	<p>Contains a 4-byte binary value specifying the multicast hops. If not specified, then the default is 1 hop.</p> <p>-1 indicates use stack default.</p> <p>0 – 255 is the valid hop limit range.</p> <p>Note: An application must be APF authorized to enable it to set the hop limit value above the system defined hop limit value. CICS applications cannot execute as APF authorized.</p>	<p>Contains a 4-byte binary value in the range 0 – 255 indicating the number of multicast hops.</p>

Table 23. OPTNAME options for GETSOCKOPT and SETSOCKOPT (continued)

OPTNAME options (input)	SETSOCKOPT, OPTVAL (input)	GETSOCKOPT, OPTVAL (output)
<p>IPV6_MULTICAST_IF</p> <p>Use this option to set or obtain the index of the IPv6 interface used for sending outbound multicast datagrams from the socket application.</p> <p>This is an IPv6-only socket option.</p>	<p>Contains a 4-byte binary field containing an IPv6 interface index number.</p>	<p>Contains a 4-byte binary field containing an IPv6 interface index number.</p>
<p>IPV6_MULTICAST_LOOP</p> <p>Use this option to control or determine whether a multicast datagram is looped back on the outgoing interface by the IP layer for local delivery when datagrams are sent to a group to which the sending host itself belongs. The default is to loop multicast datagrams back.</p> <p>This is an IPv6-only socket option.</p>	<p>A 4-byte binary field.</p> <p>To enable, set to 1.</p> <p>To disable, set to 0.</p>	<p>A 4-byte binary field.</p> <p>If enabled, contains a 1.</p> <p>If disabled, contains a 0.</p>
<p>IPV6_UNICAST_HOPS</p> <p>Use this option to set or obtain the hop limit used for outgoing unicast IPv6 packets.</p> <p>This is an IPv6-only socket option.</p>	<p>Contains a 4-byte binary value specifying the unicast hops. If not specified, then the default is 1 hop.</p> <p>-1 indicates use stack default.</p> <p>0 – 255 is the valid hop limit range.</p> <p>Note: APF authorized applications are permitted to set a hop limit that exceeds the system configured default. CICS applications cannot execute as APF authorized.</p>	<p>Contains a 4-byte binary value in the range 0 – 255 indicating the number of unicast hops.</p>
<p>IPV6_V6ONLY</p> <p>Use this option to set or determine whether the socket is restricted to send and receive only IPv6 packets. The default is to not restrict the sending and receiving of only IPv6 packets.</p> <p>This is an IPv6-only socket option.</p>	<p>A 4-byte binary field.</p> <p>To enable, set to 1.</p> <p>To disable, set to 0.</p>	<p>A 4-byte binary field.</p> <p>If enabled, contains a 1.</p> <p>If disabled, contains a 0.</p>

Table 23. OPTNAME options for GETSOCKOPT and SETSOCKOPT (continued)

OPTNAME options (input)	SETSOCKOPT, OPTVAL (input)	GETSOCKOPT, OPTVAL (output)
<p>MCAST_BLOCK_SOURCE</p> <p>Use this option to enable an application to block multicast packets that have a source address that matches the given source address. You must specify an interface index and a source address with this option. The specified multicast group must have been joined previously.</p>	<p>Contains the GROUP_SOURCE_REQ structure as defined in SYS1.MACLIB(BPXYSOCK). The GROUP_SOURCE_REQ structure contains a 4-byte interface index number followed by a socket address structure of the multicast address and a socket address structure of the source address.</p> <p>See SEZAINST(CBLOCK) for the PL/I example of GROUP_SOURCE_REQ.</p> <p>See SEZAINST(EZACOBOL) for the COBOL example of GROUP-SOURCE-REQ.</p>	<p>N/A</p>
<p>MCAST_JOIN_GROUP</p> <p>Use this option to enable an application to join a multicast group on a specific interface. You must specify an interface index. Applications that want to receive multicast datagrams must join multicast groups.</p>	<p>Contains the GROUP_REQ structure as defined in SYS1.MACLIB(BPXYSOCK). The GROUP_REQ structure contains a 4-byte interface index number followed by a socket address structure of the multicast address.</p> <p>See SEZAINST(CBLOCK) for the PL/I example of GROUP_REQ.</p> <p>See SEZAINST(EZACOBOL) for the COBOL example of GROUP-REQ.</p>	<p>N/A</p>
<p>MCAST_JOIN_SOURCE_GROUP</p> <p>Use this option to enable an application to join a source multicast group on a specific interface and a source address. You must specify an interface index and the source address. Applications that want to receive multicast datagrams only from specific source addresses need to join source multicast groups.</p>	<p>Contains the GROUP_SOURCE_REQ structure as defined in SYS1.MACLIB(BPXYSOCK). The GROUP_SOURCE_REQ structure contains a 4-byte interface index number followed by a socket address structure of the multicast address and a socket address structure of the source address.</p> <p>See SEZAINST(CBLOCK) for the PL/I example of GROUP_SOURCE_REQ.</p> <p>See SEZAINST(EZACOBOL) for the COBOL example of GROUP-SOURCE-REQ.</p>	<p>N/A</p>

Table 23. OPTNAME options for GETSOCKOPT and SETSOCKOPT (continued)

OPTNAME options (input)	SETSOCKOPT, OPTVAL (input)	GETSOCKOPT, OPTVAL (output)
<p>MCAST_LEAVE_GROUP</p> <p>Use this option to enable an application to exit a multicast group or exit all sources for a given multicast groups.</p>	<p>Contains the GROUP_REQ structure as defined in SYS1.MACLIB(BPXYSOCK). The GROUP_REQ structure contains a 4-byte interface index number followed by a socket address structure of the multicast address.</p> <p>See SEZAINST(CBLOCK) for the PL/I example of GROUP_REQ.</p> <p>See SEZAINST(EZACOBOL) for the COBOL example of GROUP-REQ.</p>	<p>N/A</p>
<p>MCAST_LEAVE_SOURCE_GROUP</p> <p>Use this option to enable an application to exit a source multicast group.</p>	<p>Contains the GROUP_SOURCE_REQ structure as defined in SYS1.MACLIB(BPXYSOCK). The GROUP_SOURCE_REQ structure contains a 4-byte interface index number followed by a socket address structure of the multicast address and a socket address structure of the source address.</p> <p>See SEZAINST(CBLOCK) for the PL/I example of GROUP_SOURCE_REQ.</p> <p>See SEZAINST(EZACOBOL) for the COBOL example of GROUP-SOURCE-REQ.</p>	<p>N/A</p>
<p>MCAST_UNBLOCK_SOURCE</p> <p>Use this option to enable an application to unblock a previously blocked source for a given multicast group. You must specify an interface index and a source address with this option.</p>	<p>Contains the GROUP_SOURCE_REQ structure as defined in SYS1.MACLIB(BPXYSOCK). The GROUP_SOURCE_REQ structure contains a 4-byte interface index number followed by a socket address structure of the multicast address and a socket address structure of the source address.</p> <p>See SEZAINST(CBLOCK) for the PL/I example of GROUP_SOURCE_REQ.</p> <p>See SEZAINST(EZACOBOL) for the COBOL example of GROUP-SOURCE-REQ.</p>	<p>N/A</p>

Table 23. OPTNAME options for GETSOCKOPT and SETSOCKOPT (continued)

OPTNAME options (input)	SETSOCKOPT, OPTVAL (input)	GETSOCKOPT, OPTVAL (output)
<p>SO_ASCII</p> <p>Use this option to set or determine the translation to ASCII data option. When SO_ASCII is set, data is translated to ASCII. When SO_ASCII is not set, data is not translated to or from ASCII.</p> <p>Note: This is a REXX-only socket option.</p>	<p>To enable, set to ON.</p> <p>To disable, set to OFF.</p> <p>Note: The <i>optvalue</i> is returned and is optionally followed by the name of the translation table that is used if translation is applied to the data.</p>	<p>If enabled, contains ON.</p> <p>If disabled, contains OFF.</p> <p>Note: The <i>optvalue</i> is returned and is optionally followed by the name of the translation table that is used if translation is applied to the data.</p>
<p>SO_BROADCAST</p> <p>Use this option to set or determine whether a program can send broadcast messages over the socket to destinations that can receive datagram messages. The default is disabled.</p> <p>Note: This option has no meaning for stream sockets.</p>	<p>A 4-byte binary field.</p> <p>To enable, set to 1 or a positive value.</p> <p>To disable, set to 0.</p>	<p>A 4-byte field.</p> <p>If enabled, contains a 1.</p> <p>If disabled, contains a 0.</p>
<p>SO_DEBUG</p> <p>Use SO_DEBUG to set or determine the status of the debug option. The default is <i>disabled</i>. The debug option controls the recording of debug information.</p> <p>Note:</p> <ol style="list-style-type: none"> 1. This is a REXX-only socket option. 2. This option has meaning only for stream sockets. 	<p>To enable, set to ON.</p> <p>To disable, set to OFF.</p>	<p>If enabled, contains ON.</p> <p>If disabled, contains OFF.</p>
<p>SO_EBCDIC</p> <p>Use this option to set or determine the translation to EBCDIC data option. When SO_EBCDIC is set, data is translated to EBCDIC. When SO_EBCDIC is not set, data is not translated to or from EBCDIC. This option is ignored by EBCDIC hosts.</p> <p>Note: This is a REXX-only socket option.</p>	<p>To enable, set to ON.</p> <p>To disable, set to OFF.</p> <p>Note: The <i>optvalue</i> is returned and is optionally followed by the name of the translation table that is used if translation is applied to the data.</p>	<p>If enabled, contains ON.</p> <p>If disabled, contains OFF.</p> <p>Note: The <i>optvalue</i> is returned and is optionally followed by the name of the translation table that is used if translation is applied to the data.</p>
<p>SO_ERROR</p> <p>Use this option to request pending errors on the socket or to check for asynchronous errors on connected datagram sockets or for other errors that are not explicitly returned by one of the socket calls. The error status is clear afterwards.</p>	<p>N/A</p>	<p>A 4-byte binary field containing the most recent ERRNO for the socket.</p>

Table 23. OPTNAME options for GETSOCKOPT and SETSOCKOPT (continued)

OPTNAME options (input)	SETSOCKOPT, OPTVAL (input)	GETSOCKOPT, OPTVAL (output)
<p>SO_KEEPALIVE</p> <p>Use this option to set or determine whether the keep alive mechanism periodically sends a packet on an otherwise idle connection for a stream socket.</p> <p>The default is disabled.</p> <p>When activated, the keep alive mechanism periodically sends a packet on an otherwise idle connection. If the remote TCP does not respond to the packet or to retransmissions of the packet, the connection is terminated with the error ETIMEDOUT.</p>	<p>A 4-byte binary field.</p> <p>To enable, set to 1 or a positive value.</p> <p>To disable, set to 0.</p>	<p>A 4-byte binary field.</p> <p>If enabled, contains a 1.</p> <p>If disabled, contains a 0.</p>
<p>SO_LINGER</p> <p>Use this option to control or determine how TCP/IP processes data that has not been transmitted when a CLOSE is issued for the socket. The default is disabled.</p> <p>Note:</p> <ol style="list-style-type: none"> 1. This option has meaning only for stream sockets. 2. If you set a zero linger time, the connection cannot close in an orderly manner, but stops, resulting in a RESET segment being sent to the connection partner. Also, if the aborting socket is in nonblocking mode, the close call is treated as though no linger option had been set. <p>When SO_LINGER is set and CLOSE is called, the calling program is blocked until the data is successfully transmitted or the connection has timed out.</p> <p>When SO_LINGER is not set, the CLOSE returns without blocking the caller, and TCP/IP continues to attempt to send data for a specified time. This usually allows sufficient time to complete the data transfer.</p> <p>Use of the SO_LINGER option does not guarantee successful completion because TCP/IP waits only the amount of time specified in OPTVAL for SO_LINGER.</p>	<p>Contains an 8-byte field containing two 4-byte binary fields.</p> <p>Assembler coding:</p> <pre>ONOFF DS F LINGER DS F</pre> <p>COBOL coding:</p> <pre>ONOFF PIC 9(8) BINARY. LINGER PIC 9(8) BINARY.</pre> <p>Set ONOFF to a nonzero value to enable and set to 0 to disable this option. Set LINGER to the number of seconds that TCP/IP lingers after the CLOSE is issued.</p>	<p>Contains an 8-byte field containing two 4-byte binary fields.</p> <p>Assembler coding:</p> <pre>ONOFF DS F LINGER DS F</pre> <p>COBOL coding:</p> <pre>ONOFF PIC 9(8) BINARY. LINGER PIC 9(8) BINARY.</pre> <p>A nonzero value returned in ONOFF indicates enabled, a 0 indicates disabled. LINGER indicates the number of seconds that TCP/IP will try to send data after the CLOSE is issued.</p>

Table 23. OPTNAME options for GETSOCKOPT and SETSOCKOPT (continued)

OPTNAME options (input)	SETSOCKOPT, OPTVAL (input)	GETSOCKOPT, OPTVAL (output)
<p>SO_OOBLINE</p> <p>Use this option to control or determine whether out-of-band data is received.</p> <p>Note: This option has meaning only for stream sockets.</p> <p>When this option is set, out-of-band data is placed in the normal data input queue as it is received and is available to a RECV or a RECVFROM even if the OOB flag is not set in the RECV or the RECVFROM.</p> <p>When this option is disabled, out-of-band data is placed in the priority data input queue as it is received and is available to a RECV or a RECVFROM only when the OOB flag is set in the RECV or the RECVFROM.</p>	<p>A 4-byte binary field.</p> <p>To enable, set to 1 or a positive value.</p> <p>To disable, set to 0.</p>	<p>A 4-byte binary field.</p> <p>If enabled, contains a 1.</p> <p>If disabled, contains a 0.</p>
<p>SO_RCVBUF</p> <p>Use this option to control or determine the size of the data portion of the TCP/IP receive buffer.</p> <p>The size of the data portion of the receive buffer is protocol-specific, based on the following values prior to any SETSOCKOPT call:</p> <ul style="list-style-type: none"> • TCPRCVBufsize keyword on the TCPCONFIG statement in the PROFILE.TCPIP data set for a TCP Socket • UDPRCVBufsize keyword on the UDPCONFIG statement in the PROFILE.TCPIP data set for a UDP Socket • The default of 65 535 for a raw socket 	<p>A 4-byte binary field.</p> <p>To enable, set to a positive value specifying the size of the data portion of the TCP/IP receive buffer.</p> <p>To disable, set to a 0.</p>	<p>A 4-byte binary field.</p> <p>If enabled, contains a positive value indicating the size of the data portion of the TCP/IP receive buffer.</p> <p>If disabled, contains a 0.</p>

Table 23. OPTNAME options for GETSOCKOPT and SETSOCKOPT (continued)

OPTNAME options (input)	SETSOCKOPT, OPTVAL (input)	GETSOCKOPT, OPTVAL (output)
<p>SO_RCVTIMEO</p> <p>Use this option to control or determine the maximum length of time that a receive-type function can wait before it completes.</p> <p>If a receive-type function has blocked for the maximum length of time that was specified without receiving data, control is returned with an errno set to EWOULDBLOCK. The default value for this option is 0, which indicates that a receive-type function does not time out.</p> <p>When the MSG_WAITALL flag (stream sockets only) is specified, the timeout takes precedence. The receive-type function can return the partial count. See the explanation of that operation's MSG_WAITALL flag parameter.</p> <p>The following receive-type functions are supported:</p> <ul style="list-style-type: none"> • READ • READV • RECV • RECVFROM • RECVMMSG 	<p>This option requires a TIMEVAL structure, which is defined in SYS1.MACLIB(BPXRLIM) macro. The TIMEVAL structure contains the number of seconds and microseconds specified as fullword binary numbers. The seconds can be a value in the range 0 - 2678400 (equal to 31 days), and the microseconds can be a value in the range 0 - 1000000 (equal to 1 second). Although TIMEVAL value can be specified using microsecond granularity, the internal TCP/IP timers that are used to implement this function have a granularity of approximately 100 milliseconds.</p>	<p>This option stores a TIMEVAL structure that is defined in the SYS1.MACLIB(BPXRLIM) macro. The TIMEVAL structure contains the number of seconds and microseconds, which are specified as fullword binary numbers. The number of seconds value that is returned is in the range 0 - 2678400 (equal to 31 days). The number of microseconds value that is returned is in the range 0 - 1000000.</p>

Table 23. OPTNAME options for GETSOCKOPT and SETSOCKOPT (continued)

OPTNAME options (input)	SETSOCKOPT, OPTVAL (input)	GETSOCKOPT, OPTVAL (output)
<p>SO_REUSEADDR</p> <p>Use this option to control or determine whether local addresses are reused. The default is disabled. This alters the normal algorithm used with BIND. The normal BIND algorithm allows each Internet address and port combination to be bound only once. If the address and port have been already bound, then a subsequent BIND will fail and result error will be EADDRINUSE.</p> <p>When this option is enabled, the following situations are supported:</p> <ul style="list-style-type: none"> • A server can BIND the same port multiple times as long as every invocation uses a different local IP address and the wildcard address INADDR_ANY is used only one time per port. • A server with active client connections can be restarted and can bind to its port without having to close all of the client connections. • For datagram sockets, multicasting is supported so multiple bind() calls can be made to the same class D address and port number. • If you require multiple servers to BIND to the same port and listen on INADDR_ANY, see the SHAREPORT option on the PORT statement in TCPIP.PROFILE. 	<p>A 4-byte binary field.</p> <p>To enable, set to 1 or a positive value.</p> <p>To disable, set to 0.</p>	<p>A 4-byte binary field.</p> <p>If enabled, contains a 1.</p> <p>If disabled, contains a 0.</p>
<p>SO_SNDBUF</p> <p>Use this option to control or determine the size of the data portion of the TCP/IP send buffer. The size of the TCP/IP send buffer is protocol specific and is based on the following:</p> <ul style="list-style-type: none"> • The TCPSENDBufsize keyword on the TCPCONFIG statement in the PROFILE.TCPIP data set for a TCP socket • The UDPSENDBufsize keyword on the UDPCONFIG statement in the PROFILE.TCPIP data set for a UDP socket • The default of 65 535 for a raw socket 	<p>A 4-byte binary field.</p> <p>To enable, set to a positive value specifying the size of the data portion of the TCP/IP send buffer.</p> <p>To disable, set to a 0.</p>	<p>A 4-byte binary field.</p> <p>If enabled, contains a positive value indicating the size of the data portion of the TCP/IP send buffer.</p> <p>If disabled, contains a 0.</p>

Table 23. OPTNAME options for GETSOCKOPT and SETSOCKOPT (continued)

OPTNAME options (input)	SETSOCKOPT, OPTVAL (input)	GETSOCKOPT, OPTVAL (output)
<p>SO_SNDTIMEO</p> <p>Use this option to control or determine the maximum length of time that a send-type function can remain blocked before it completes.</p> <p>If a send-type function has blocked for this length of time, it returns with a partial count or, if no data is sent, with an errno set to EWOULDBLOCK. The default value for this is 0, which indicates that a send-type function does not time out.</p> <p>For a SETSOCKOPT, the following send-type functions are supported:</p> <ul style="list-style-type: none"> • SEND • SENDMSG • SENDTO • WRITE • WRITEV 	<p>This option requires a TIMEVAL structure, which is defined in the SYS1.MACLIB(BPXYRLIM) macro. The TIMEVAL structure contains the number of seconds and microseconds specified as fullword binary numbers. The seconds value is in the range 0 - 2678400 (equal to 31 days), and the microseconds value is in the range 0 - 1000000 (equal to 1 second). Although the TIMEVAL value can be specified using microsecond granularity, the internal TCP/IP timers that are used to implement this function have a granularity of approximately 100 milliseconds.</p>	<p>This option stores a TIMEVAL structure that is defined in SYS1.MACLIB(BPXYRLIM). The TIMEVAL structure contains the number of seconds and microseconds, which are specified as fullword binary numbers. The number of seconds value that is returned is in the range 0 - 2678400 (equal to 31 days). The microseconds value that is returned is in the range 0 - 1000000.</p>
<p>SO_TYPE</p> <p>Use this option to return the socket type.</p>	<p>N/A</p>	<p>A 4-byte binary field indicating the socket type:</p> <p>X'1' indicates SOCK_STREAM.</p> <p>X'2' indicates SOCK_DGRAM.</p> <p>X'3' indicates SOCK_RAW.</p>
<p>TCP_KEEPALIVE</p> <p>Use this option to set or determine whether a socket-specific timeout value (in seconds) is to be used in place of a configuration-specific value whenever keep alive timing is active for that socket.</p> <p>When activated, the socket-specified timer value remains in effect until respecified by SETSOCKOPT or until the socket is closed. See the z/OS Communications Server: IP Programmer's Guide and Reference for more information about the socket option parameters.</p>	<p>A 4-byte binary field.</p> <p>To enable, set to a value in the range 1 - 2147460.</p> <p>To disable, set to a value of 0.</p>	<p>A 4-byte binary field.</p> <p>If enabled, contains the specific timer value (in seconds) that is in effect for the given socket.</p> <p>If disabled, contains a 0 indicating keep alive timing is not active.</p>

Table 23. OPTNAME options for GETSOCKOPT and SETSOCKOPT (continued)

OPTNAME options (input)	SETSOCKOPT, OPTVAL (input)	GETSOCKOPT, OPTVAL (output)
<p>TCP_NODELAY</p> <p>Use this option to set or determine whether data sent over the socket is subject to the Nagle algorithm (RFC 896).</p> <p>Under most circumstances, TCP sends data when it is presented. When this option is enabled, TCP will wait to send small amounts of data until the acknowledgment for the previous data sent is received. When this option is disabled, TCP will send small amounts of data even before the acknowledgment for the previous data sent is received.</p> <p>Note: Use the following to set TCP_NODELAY OPTNAME value for COBOL programs:</p> <pre> 01 TCP-NODELAY-VAL PIC 9(10) COMP VALUE 2147483649. 01 TCP-NODELAY-REDEF REDEFINES TCP-NODELAY-VAL. 05 FILLER PIC 9(6) BINARY. 05 TCP-NODELAY PIC 9(8) BINARY. </pre>	<p>A 4-byte binary field.</p> <p>To enable, set to a 0.</p> <p>To disable, set to a 1 or nonzero.</p>	<p>A 4-byte binary field.</p> <p>If enabled, contains a 0.</p> <p>If disabled, contains a 1.</p>

SHUTDOWN call

One way to terminate a network connection is to issue the CLOSE call which attempts to complete all outstanding data transmission requests prior to breaking the connection. The SHUTDOWN call can be used to close one-way traffic while completing data transfer in the other direction. The HOW parameter determines the direction of traffic to shutdown.

When the CLOSE call is used, the SETSOCKOPT OPTVAL LINGER parameter determines the amount of time the system waits before releasing the connection. For example, with a LINGER value of 30 seconds, system resources (including the IMS or CICS transaction) remain in the system for up to 30 seconds after the CLOSE call is issued. In high volume, transaction-based systems like CICS and IMS, this can impact performance severely.

If the SHUTDOWN call is issued, when the CLOSE call is received, the connection can be closed immediately, rather than waiting for the 30-second delay.

If you issue SHUTDOWN for a socket that currently has outstanding socket calls pending, see [Table 24](#) on page 325 to determine the effects of this operation on the outstanding socket calls.

Socket calls in local program	Local program		Remote program	
	SHUTDOWN SEND	SHUTDOWN RECEIVE	SHUTDOWN RECEIVE	SHUTDOWN SEND
Write calls	Error number EPIPE on first call		Error number EPIPE on second call*	
Read calls		Zero length return code		Zero length return code

Table 24. Effect of SHUTDOWN socket call (continued)

Socket calls in local program	Local program		Remote program	
	SHUTDOWN SEND	SHUTDOWN RECEIVE	SHUTDOWN RECEIVE	SHUTDOWN SEND
* If you issue two write calls immediately, both might be successful, and an EPIPE error number might not be returned until a third write call is issued.				

The following requirements apply to this call:

Requirement	Description
Authorization:	Supervisor state or problem state, any PSW key
Dispatchable unit mode:	Task
Cross memory mode:	PASN = HASN
Amode:	31-bit or 24-bit
ASC mode:	Primary address space control (ASC) mode
Interrupt status:	Enabled for interrupts
Locks:	Unlocked
Control parameters:	All parameters must be addressable by the caller and in the primary address space

Figure 159 on page 326 shows an example of SHUTDOWN call instructions.

```

WORKING-STORAGE SECTION.
  01 SOC-FUNCTION PIC X(16) VALUE IS 'SHUTDOWN'.
  01 S             PIC 9(4)  BINARY.
  01 HOW          PIC 9(8)  BINARY.
  01 END-FROM    PIC 9(8)  BINARY VALUE 0.
  01 END-TO      PIC 9(8)  BINARY VALUE 1.
  01 END-BOTH    PIC 9(8)  BINARY VALUE 2.
  01 ERRNO       PIC 9(8)  BINARY.
  01 RETCODE     PIC S9(8) BINARY.

PROCEDURE DIVISION.
  CALL 'EZASOKET' USING SOC-FUNCTION S HOW ERRNO RETCODE.

```

Figure 159. SHUTDOWN call instruction example

For equivalent PL/I and assembler language declarations, see [“Converting parameter descriptions”](#) on page 205.

Parameter values set by the application for the SHUTDOWN call

SOC-FUNCTION

A 16-byte character field containing SHUTDOWN. The field is left-aligned and padded on the right with blanks.

S

A halfword binary number set to the socket descriptor of the socket to be shutdown.

HOW

A fullword binary field. Set to specify whether all or part of a connection is to be shut down. The following values can be set:

Value	Description
-------	-------------

0 (END-FROM)

Ends further receive operations.

1 (END-TO)

Ends further send operations.

2 (END-BOTH)

Ends further send and receive operations.

Parameter values returned to the application for the SHUTDOWN call

ERRNO

A fullword binary field. If RETCODE is negative, the field contains an error number. See [Appendix B, "Return codes,"](#) on page 381 for information about ERRNO return codes.

RETCODE

A fullword binary field that returns one of the following:

Value**Description****0**

Successful call

-1

Check ERRNO for an error code

SOCKET call

The SOCKET call creates an endpoint for communication and returns a socket descriptor representing the endpoint.

The following requirements apply to this call:

Requirement	Description
Authorization:	Supervisor state or problem state, any PSW key
Dispatchable unit mode:	Task
Cross memory mode:	PASN = HASN
Amode:	31-bit or 24-bit
ASC mode:	Primary address space control (ASC) mode
Interrupt status:	Enabled for interrupts
Locks:	Unlocked
Control parameters:	All parameters must be addressable by the caller and in the primary address space

[Figure 160 on page 328](#) shows an example of SOCKET call instructions.

```

WORKING-STORAGE SECTION.
  01 SOC-FUNCTION PIC X(16) VALUE IS 'SOCKET' .
* For AF_INET
  01 AF PIC 9(8) COMP VALUE 2.
* For AF_INET6
  01 AF PIC 9(8) BINARY VALUE 19.
  01 SOCTYPE PIC 9(8) BINARY.
  01 STREAM PIC 9(8) BINARY VALUE 1.
  01 DATAGRAM PIC 9(8) BINARY VALUE 2.

  01 PROTO PIC 9(8) BINARY.
  01 ERRNO PIC 9(8) BINARY.
  01 RETCODE PIC S9(8) BINARY.

PROCEDURE DIVISION.
  CALL 'EZASOKET' USING SOC-FUNCTION AF SOCTYPE
  PROTO ERRNO RETCODE.

```

Figure 160. SOCKET call instruction example

For equivalent PL/I and assembler language declarations, see [“Converting parameter descriptions” on page 205](#).

Parameter values set by the application for the SOCKET call

SOC-FUNCTION

A 16-byte character field containing 'SOCKET'. The field is left-aligned and padded on the right with blanks.

AF

A fullword binary field set to the addressing family. For TCP/IP the value is set to a decimal 2 for AF_INET, or a decimal 19, indicating AF_INET6.

SOCTYPE

A fullword binary field set to the type of socket required. The types are:

Value

Description

1

Stream sockets provide sequenced, two-way byte streams that are reliable and connection-oriented. They support a mechanism for out-of-band data.

2

Datagram sockets provide datagrams, which are connectionless messages of a fixed maximum length whose reliability is not guaranteed. Datagrams can be corrupted, received out of order, lost, or delivered multiple times.

PROTO

A fullword binary field set to the protocol to be used for the socket. If this field is set to 0, the default protocol is used. For streams, the default is TCP; for datagrams, the default is UDP.

PROTO numbers are found in the *hlq.etc.proto* data set.

Parameter values returned to the application for the SOCKET call

ERRNO

A fullword binary field. If RETCODE is negative, the field contains an error number. See [Appendix B, “Return codes,” on page 381](#) for information about ERRNO return codes.

RETCODE

A fullword binary field that returns one of the following:

Value

Description

> or = 0

Contains the new socket descriptor

-1

Check ERRNO for an error code

TAKESOCKET call

The TAKESOCKET call acquires a socket from another program and creates a new socket. Typically, a child server issues this call using client ID and socket descriptor data that it obtained from the concurrent server. See [“GIVESOCKET call” on page 258](#) for a discussion of the use of GETSOCKET and TAKESOCKET calls.

Note: When TAKESOCKET is issued, a new socket descriptor is returned in RETCODE. You should use this new socket descriptor in subsequent calls such as GETSOCKOPT, which require the S (socket descriptor) parameter.

The following requirements apply to this call:

Requirement	Description
Authorization:	Supervisor state or problem state, any PSW key
Dispatchable unit mode:	Task
Cross memory mode:	PASN = HASN
Amode:	31-bit or 24-bit
ASC mode:	Primary address space control (ASC) mode
Interrupt status:	Enabled for interrupts
Locks:	Unlocked
Control parameters:	All parameters must be addressable by the caller and in the primary address space

[Figure 161 on page 329](#) shows an example of TAKESOCKET call instructions.

```
WORKING-STORAGE SECTION.  
  01 SOC-FUNCTION    PIC X(16) VALUE IS 'TAKESOCKET'.  
  01 SOCRECV        PIC 9(4) BINARY.  
  01 CLIENT.  
    03 DOMAIN       PIC 9(8) BINARY.  
    03 NAME         PIC X(8).  
    03 TASK         PIC X(8).  
    03 RESERVED     PIC X(20).  
  01 ERRNO          PIC 9(8) BINARY.  
  01 RETCODE        PIC S9(8) BINARY.  
  
PROCEDURE DIVISION.  
  CALL 'EZASOKET' USING SOC-FUNCTION SOCRECV CLIENT  
  ERRNO RETCODE.
```

Figure 161. TAKESOCKET call instruction example

For equivalent PL/I and assembler language declarations, see [“Converting parameter descriptions” on page 205](#).

Parameter values set by the application for the TAKESOCKET call

SOC-FUNCTION

A 16-byte character field containing TAKESOCKET. The field is left-aligned and padded to the right with blanks.

SOCRECV

A halfword binary field set to the descriptor of the socket to be taken. The socket to be taken is passed by the concurrent server.

CLIENT

Specifies the client ID of the program that is giving the socket. In CICS, these parameters are passed by the listener program to the program that issues the TAKESOCKET call. The information is obtained using EXEC CICS RETRIEVE.

DOMAIN

A fullword binary field set to the domain of the program giving the socket. It is always a decimal 2, indicating AF_INET, or a decimal 19, indicating AF_INET6.

Rule: The TAKESOCKET can acquire only a socket of the same address family from a GIVESOCKET.

NAME

Specifies an 8-byte character field set to the MVS address space identifier of the program that gave the socket.

TASK

Specifies an 8-byte character field set to the task identifier of the task that gave the socket.

RESERVED

A 20-byte reserved field. This field is required, but not used.

Parameter values returned to the application for the TAKESOCKET call

ERRNO

A fullword binary field. If RETCODE is negative, the field contains an error number. See [Appendix B, "Return codes,"](#) on page 381 for information about ERRNO return codes.

RETCODE

A fullword binary field that returns one of the following:

Value

Description

> or = 0

Contains the new socket descriptor

-1

Check ERRNO for an error code

TERMAPI call

This call terminates the session created by INITAPI. All TCP/IP stacks resources allocated to the task are cleaned up. This includes any outstanding open sockets or sockets that have been given away with the GIVESOCKET call but have not been taken with a TAKESOCKET call.

In the CICS environment, the use of TERMAPI is not recommended. CICS task termination processing automatically performs the functions of TERMAPI. A CICS application program should issue TERMAPI only if there is a particular need to terminate the session before task termination.

The following requirements apply to this call:

Requirement	Description
Authorization:	Supervisor state or problem state, any PSW key
Dispatchable unit mode:	Task
Cross memory mode:	PASN = HASN
Amode:	31-bit or 24-bit
ASC mode:	Primary address space control (ASC) mode
Interrupt status:	Enabled for interrupts
Locks:	Unlocked

Requirement	Description
Control parameters:	All parameters must be addressable by the caller and in the primary address space

Figure 162 on page 331 shows an example of TERMAPI call instructions.

```

WORKING-STORAGE SECTION.
  01 SOC-FUNCTION    PIC X(16) VALUE IS 'TERMAPI'.

PROCEDURE DIVISION.
  CALL 'EZASOKET' USING SOC-FUNCTION.

```

Figure 162. TERMAPI call instruction example

For equivalent PL/I and assembler language declarations, see [“Converting parameter descriptions”](#) on page 205.

Parameter values set by the application for the TERMAPI call

SOC-FUNCTION

A 16-byte character field containing TERMAPI. The field is left-aligned and padded to the right with blanks.

WRITE call

The WRITE call writes data on a connected socket. This call is similar to SEND, except that it lacks the control flags available with SEND.

For datagram sockets the WRITE call writes the entire datagram if it fits into the receiving buffer.

Stream sockets act like streams of information with no boundaries separating data. For example, if a program wishes to send 1000 bytes, each call to this function can send any number of bytes, up to the entire 1000 bytes. The number of bytes sent are returned in RETCODE. Therefore, programs using stream sockets should place this call in a loop, calling this function until all data has been sent.

See [“EZACIC04 program”](#) on page 336 for a subroutine that translates EBCDIC output data to ASCII.

The following requirements apply to this call:

Requirement	Description
Authorization:	Supervisor state or problem state, any PSW key
Dispatchable unit mode:	Task
Cross memory mode:	PASN = HASN
Amode:	31-bit or 24-bit Note: See "Addressability mode (Amode) considerations" under “Environmental restrictions and programming requirements for the Callable Socket API” on page 203.
ASC mode:	Primary address space control (ASC) mode
Interrupt status:	Enabled for interrupts
Locks:	Unlocked
Control parameters:	All parameters must be addressable by the caller and in the primary address space

Figure 163 on page 332 shows an example of WRITE call instructions.

```

WORKING-STORAGE SECTION.
  01 SOC-FUNCTION PIC X(16) VALUE IS 'WRITE'.
  01 S PIC 9(4) BINARY.
  01 NBYTE PIC 9(8) BINARY.
  01 BUF PIC X(length of buffer).
  01 ERRNO PIC 9(8) BINARY.
  01 RETCODE PIC S9(8) BINARY.

PROCEDURE DIVISION.
  CALL 'EZASOCKET' USING SOC-FUNCTION S NBYTE BUF
  ERRNO RETCODE.

```

Figure 163. WRITE call instruction example

For equivalent PL/I and assembler language declarations, see [“Converting parameter descriptions”](#) on page 205.

Parameter values set by the application for the WRITE call

SOC-FUNCTION

A 16-byte character field containing WRITE. The field is left-aligned and padded on the right with blanks.

S

A halfword binary field set to the socket descriptor.

NBYTE

A fullword binary field set to the number of bytes of data to be transmitted.

BUF

Specifies the buffer containing the data to be transmitted.

Parameter values returned to the application for the WRITE call

ERRNO

A fullword binary field. If RETCODE is negative, the field contains an error number. See [Appendix B, “Return codes,”](#) on page 381 for information about ERRNO return codes.

RETCODE

A fullword binary field that returns one of the following:

Value

Description

≥0

A successful call. A return code greater than zero indicates the number of bytes of data written.

-1

Check ERRNO for an error code.

WRITEV call

The WRITEV function writes data on a socket from a set of buffers.

The following requirements apply to this call:

Requirement	Description
Authorization:	Supervisor state or problem state, any PSW key
Dispatchable unit mode:	Task
Cross memory mode:	PASN = HASN
Amode:	31-bit or 24-bit
ASC mode:	Primary address space control (ASC) mode

Requirement	Description
Interrupt status:	Enabled for interrupts
Locks:	Unlocked
Control parameters:	All parameters must be addressable by the caller and in the primary address space

Figure 164 on page 333 shows an example of WRITEV call instructions.

```

WORKING-STORAGE SECTION.
  01 SOKET-FUNCTION          PIC X(16) VALUE 'WRITEV'.
  01 S                       PIC 9(4) BINARY.
  01 IOVCNT                 PIC 9(8) BINARY.

  01 IOV.
    03 BUFFER-ENTRY OCCURS N TIMES.
      05 BUFFER-POINTER USAGE IS POINTER.
      05 RESERVED          PIC X(4).
      05 BUFFER-LENGTH    PIC 9(8) BINARY.

  01 ERRNO                  PIC 9(8) BINARY.
  01 RETCODE                PIC 9(8) BINARY.

PROCEDURE DIVISION.

  SET BUFFER-POINTER(1) TO ADDRESS OF BUFFER1.
  SET BUFFER-LENGTH(1) TO LENGTH OF BUFFER1.
  SET BUFFER-POINTER(2) TO ADDRESS OF BUFFER2.
  SET BUFFER-LENGTH(2) TO LENGTH OF BUFFER2.
  " " " " "
  " " " " "
  SET BUFFER-POINTER(n) TO ADDRESS OF BUFFERn.
  SET BUFFER-LENGTH(n) TO LENGTH OF BUFFERn.

  CALL 'EZASOKET' USING SOC-FUNCTION S IOV IOVCNT ERRNO RETCODE.

```

Figure 164. WRITEV call instruction example

For equivalent PL/I and assembler language declarations, see [“Converting parameter descriptions”](#) on page 205.

Parameter values set by the application for the WRITEV call

S

A value or the address of a halfword binary number specifying the descriptor of the socket from which the data is to be written.

IOV

An array of tripleword structures with the number of structures equal to the value in IOVCNT and the format of the structures as follows:

Fullword 1

The address of a data buffer.

Fullword 2

Reserved.

Fullword 3

The length of the data buffer referenced in Fullword 1.

IOVCNT

A fullword binary field specifying the number of data buffers provided for this call.

Parameters returned by the application for the WRITEV call

ERRNO

A fullword binary field. If RETCODE is negative, this contains an error number. See [Appendix B, “Return codes,”](#) on page 381 for information about ERRNO return codes.

RETCODE

A fullword binary field.

Value

Meaning

<0

Error. Check ERRNO.

0

Connection partner has closed connection.

>0

Number of bytes sent.

Using data translation programs for socket call interface

In addition to the socket calls, you can use the following utility programs to translate data.

Data translation from ASCII and EBCDIC data notation

TCP/IP hosts and networks use ASCII data notation; MVS TCP/IP and its subsystems use EBCDIC data notation. In situations where data must be translated from one notation to the other, you can use the following utility programs:

EZACIC04

Translates EBCDIC data to ASCII data using an EBCDIC-to-ASCII translation table as described in [z/OS Communications Server: IP Configuration Reference](#).

EZACIC05

Translates ASCII data to EBCDIC data using an ASCII-to-EBCDIC translation table as described in [z/OS Communications Server: IP Configuration Reference](#).

EZACIC14

An alternative to EZACIC04 that translates EBCDIC data to ASCII data using the translation table listed in [“EZACIC14 program”](#) on page 345.

EZACIC15

An alternative to EZACIC05 that translates ASCII data to EBCDIC data using the translation table listed in [“EZACIC15 program”](#) on page 346.

A sample program that performs these translations is also available; you can modify them to perform any translations not provided by these routines. See the EZACICTR member in the SEZAINST data set for more information.

It is not necessary to define these programs to CICS. If your application dynamically links these programs, then you must define them to CICS as follows:

```
DEFINE PROGRAM(EZACIC04)
DESCRIPTION(TRANSLATE EBCDIC-8 BIT TO ASCII-8 BIT)
GROUP(SOCKETS)
CEDF(YES) DATALOCATION(ANY) EXECKEY(USER)
RELOAD(NO) RESIDENT(NO) USELPACOPY(NO)
LANGUAGE(ASSEMBLER) STATUS(ENABLED) USAGE(NORMAL)
CONCURRENCY(THREADSAFE)

DEFINE PROGRAM(EZACIC05)
DESCRIPTION(TRANSLATE ASCII-8 BIT TO EBCDIC-8 BIT)
GROUP(SOCKETS)
CEDF(YES) DATALOCATION(ANY) EXECKEY(USER)
RELOAD(NO) RESIDENT(NO) USELPACOPY(NO)
LANGUAGE(ASSEMBLER) STATUS(ENABLED) USAGE(NORMAL)
CONCURRENCY(THREADSAFE)
```



```

DEFINE PROGRAM(EZACIC14)
DESCRIPTION(TRANSLATE EBCDIC-8 BIT TO ASCII-8 BIT)
GROUP(SOCKETS)
CEDF(YES) DATALOCATION(ANY) EXECKEY(USER)
RELOAD(NO) RESIDENT(NO) USELPACOPY(NO)
LANGUAGE(ASSEMBLER) STATUS(ENABLED) USAGE(NORMAL)
CONCURRENCY(THREADSAFE)

DEFINE PROGRAM(EZACIC15)
DESCRIPTION(TRANSLATE ASCII-8 BIT TO EBCDIC-8 BIT)
GROUP(SOCKETS)
CEDF(YES) DATALOCATION(ANY) EXECKEY(USER)
RELOAD(NO) RESIDENT(NO) USELPACOPY(NO)
LANGUAGE(ASSEMBLER) STATUS(ENABLED) USAGE(NORMAL)
CONCURRENCY(THREADSAFE)

```

For more information about specifying the key that CICS uses to give control to the program and details about RDO resource types and their attributes, Program Definition Attributes, and the EXECKEY attribute, see the CICS Transaction Server information on this website: <http://www.ibm.com/software/hcp/cics/library/>

Bit string processing

In C-language, bit strings are often used to convey flags, switch settings, and so on; TCP/IP stacks makes frequent uses of bit strings. However, because bit strings are difficult to decode in COBOL, TCP/IP includes:

EZACIC06

Translates bit-masks into character arrays and character arrays into bit-masks.

EZACIC08

Interprets the variable length address list in the HOSTENT structure returned by GETHOSTBYNAME or GETHOSTBYADDR.

EZACIC09

Interprets the ADDRINFO structure returned by GETADDRINFO.

It is not necessary to define these programs to CICS. If your application dynamically links these programs, then you must define them to CICS as follows:

```

DEFINE PROGRAM(EZACIC06)
DESCRIPTION(TRANSLATE EBCDIC-8 BIT TO ASCII-8 BIT)
GROUP(SOCKETS)
CEDF(YES) DATALOCATION(ANY) EXECKEY(USER)
RELOAD(NO) RESIDENT(NO) USELPACOPY(NO)
LANGUAGE(ASSEMBLER) STATUS(ENABLED) USAGE(NORMAL)
CONCURRENCY(THREADSAFE)

DEFINE PROGRAM(EZACIC08)
DESCRIPTION(INTERPRET HOSTENT)
GROUP(SOCKETS)
CEDF(YES) DATALOCATION(ANY) EXECKEY(USER)
RELOAD(NO) RESIDENT(NO) USELPACOPY(NO)
LANGUAGE(ASSEMBLER) STATUS(ENABLED) USAGE(NORMAL)
CONCURRENCY(THREADSAFE)

DEFINE PROGRAM(EZACIC09)
DESCRIPTION(INTERPRET ADDRINFO)
GROUP(SOCKETS)
CEDF(YES) DATALOCATION(ANY) EXECKEY(USER)
RELOAD(NO) RESIDENT(NO) USELPACOPY(NO)
LANGUAGE(ASSEMBLER) STATUS(ENABLED) USAGE(NORMAL)
CONCURRENCY(THREADSAFE)

```

For more information about specifying the key that CICS uses to give control to the program, visit this website: <http://www.ibm.com/software/hcp/cics/library/>

CALL instruction utility programs

This topic describes the CALL instruction API for TCP/IP application programs written in the COBOL, PL/I, or High Level Assembler language. The format and parameters are described for each utility call.

Note: For a PL/I program, include the following statement before your first call instruction:

```
DCL EZASOKET ENTRY OPTIONS(RETCODE,ASM,INTER) EXT;
```

Understanding COBOL, assembler, and PL/I call formats

These utility programs are invoked by calling the EZACICnn program. The parameters look differently due to the differences in the programming languages.

COBOL language call format sample

The following sample illustrates the utility program call format for COBOL language programs:

```
>>-- CALL 'EZACICnn' USING parm1, parm2, ... . --><
```

parm n

A variable number of parameters that depends on the type call.

The utility programs in this topic contain an explanation of the call parameters.

Assembler language call format sample

The following sample illustrates the utility program call format for assembler language programs. Because DATAREG is used to access the application's working storage, applications using the assembler language format should not code DATAREG but should let it default to the CICS data register.

```
>>-- CALL EZACICnn,(parm1, parm2, ... ),VL,MF=(E, PARMLIST) --><
```

PARMLIST is a remote parameter list defined in dynamic storage DFHEISTG. This list contains addresses of 30 parameters that can be referenced by all execute forms of the CALL.

Note: This form of CALL is necessary to meet the CICS requirement for quasi-reentrant programming

parm n

A variable number of parameters that depends on the type call.

The utility programs in this topic contain an explanation of the call parameters.

PL/I language call format sample

The following sample illustrates the utility program call format for PL/I language programs:

```
>>-- CALL EZACICnn (parm1, parm2, ... ); --><
```

parm n

parm n

A variable number of parameters that depends on the type call.

See the utility programs in this topic for an explanation of the parameters.

EZACIC04 program

The EZACIC04 program is used to translate EBCDIC data to ASCII data.

[Figure 165 on page 337](#) shows an example of how EZACIC04 translates a byte of EBCDIC data to ASCII data.

ASCII output by EZACIC04	second hex digit of byte of EBCDIC data
	0 1 2 3 4 5 6 7 8 9 A B C D E F
	0 00 01 02 03 1A 09 1A 7F 1A 1A 1A 0B 0C 0D 0E 0F
	1 10 11 12 13 1A 0A 08 1A 18 19 1A 1A 1C 1D 1E 1F
	2 1A 1A 1C 1A 1A 0A 17 1B 1A 1A 1A 1A 1A 05 06 07
	3 1A 1A 16 1A 1A 1E 1A 04 1A 1A 1A 1A 14 15 1A 1A
	4 20 A6 E1 80 EB 90 9F E2 AB 8B 9B 2E 3C 28 2B 7C
	5 26 A9 AA 9C DB A5 99 E3 A8 9E 21 24 2A 29 3B 5E
first hex digit of byte of EBCDIC data	6 2D 2F DF DC 9A DD DE 98 9D AC BA 2C 25 5F 3E 3F
	7 D7 88 94 B0 B1 B2 FC D6 FB 60 3A 23 40 27 3D 22
	8 F8 61 62 63 64 65 66 67 68 69 96 A4 F3 AF AE C5
	9 8C 6A 6B 6C 6D 6E 6F 70 71 72 97 87 CE 93 F1 FE
	A C8 7E 73 74 75 76 77 78 79 7A EF C0 DA 5B F2 AE
	B B5 B6 FD B7 B8 B9 E6 BB BC BD 8D D9 BF 5D D8 C4
	C 7B 41 42 43 44 45 46 47 48 49 CB CA BE E8 EC ED
	D 7D 4A 4B 4C 4D 4E 4F 50 51 52 A1 AD F5 F4 A3 8F
	E 5C E7 53 54 55 56 57 58 59 5A A0 85 8E E9 E4 D1
	F 30 31 32 33 34 35 36 37 38 39 B3 F7 F0 FA A7 FF

Figure 165. EZACIC04 EBCDIC-to-ASCII table

Figure 166 on page 337 shows an example of EZACIC04 call instructions.

```

WORKING-STORAGE SECTION.
  01 OUT-BUFFER PIC X(length of output).
  01 LENGTH PIC 9(8) BINARY.

PROCEDURE DIVISION.
  CALL 'EZACIC04' USING OUT-BUFFER LENGTH.          IF RETURN-CODE > 0
  THEN
  DISPLAY 'TRANSLATION FAILED ' RETURN-CODE.

```

Figure 166. EZACIC04 call instruction example

For equivalent PL/I and assembler language declarations, see [“Converting parameter descriptions”](#) on page 205.

OUT-BUFFER

A buffer that contains the following:

- When called – EBCDIC data
- Upon return – ASCII data

LENGTH

Specifies the length of the data to be translated.

EZACIC05 program

The EZACIC05 program is used to translate ASCII data to EBCDIC data. EBCDIC data is required by COBOL, PL/I, and assembler language programs.

Figure 167 on page 338 shows an example of how EZACIC05 translates a byte of ASCII data to EBCDIC data.

EBCDIC output by EZACIC05	second hex digit of byte of ASCII data																
	0	1	2	3	4	5	6	7	8	9	A	B	C	D	E	F	
first hex digit of byte of ASCII data	0	00	01	02	03	37	2D	2E	2F	16	05	25	0B	0C	0D	0E	0F
	1	10	11	12	13	3C	3D	32	26	18	19	3F	27	22	1D	35	1F
	2	40	5A	7F	7B	5B	6C	50	7D	4D	5D	5C	4E	6B	60	4B	61
	3	F0	F1	F2	F3	F4	F5	F6	F7	F8	F9	7A	5E	4C	7E	6E	6F
	4	7C	C1	C2	C3	C4	C5	C6	C7	C8	C9	D1	D2	D3	D4	D5	D6
	5	D7	D8	D9	E2	E3	E4	E5	E6	E7	E8	E9	AD	E0	BD	5F	6D
	6	79	81	82	83	84	85	86	87	88	89	91	92	93	94	95	96
	7	97	98	99	A2	A3	A4	A5	A6	A7	A8	A9	C0	4F	D0	A1	07
	8	00	01	02	03	37	2D	2E	2F	16	05	25	0B	0C	0D	0E	0F
	9	10	11	12	13	3C	3D	32	26	18	19	3F	27	22	1D	35	1F
	A	40	5A	7F	7B	5B	6C	50	7D	4D	5D	5C	4E	6B	60	4B	61
	B	F0	F1	F2	F3	F4	F5	F6	F7	F8	F9	7A	5E	4C	7E	6E	6F
	C	7C	C1	C2	C3	C4	C5	C6	C7	C8	C9	D1	D2	D3	D4	D5	D6
	D	D7	D8	D9	E2	E3	E4	E5	E6	E7	E8	E9	AD	E0	BD	5F	6D
	E	79	81	82	83	84	85	86	87	88	89	91	92	93	94	95	96
	F	97	98	99	A2	A3	A4	A5	A6	A7	A8	A9	C0	4F	D0	A1	07

Figure 167. EZACIC05 ASCII-to-EBCDIC

Figure 168 on page 338 shows an example of EZACIC05 call instructions.

```

WORKING-STORAGE SECTION.
  01 IN-BUFFER      PIC X(length of output)
  01 LENGTH        PIC 9(8) BINARY VALUE

PROCEDURE DIVISION.
  CALL 'EZACIC05' USING IN-BUFFER LENGTH.          IF RETURN-CODE > 0
  THEN
  DISPLAY 'TRANSLATION FAILED ' RETURN-CODE.

```

Figure 168. EZACIC05 call instruction example

For equivalent PL/I and assembler language declarations, see [“Converting parameter descriptions”](#) on page 205.

IN-BUFFER

A buffer that contains the following:

- When called – ASCII data
- Upon return – EBCDIC data

LENGTH

Specifies the length of the data to be translated.

EZACIC06 program

The SELECT call uses bit strings to specify the sockets to test and to return the results of the test. Because bit strings are difficult to manage in COBOL, use the EZACIC06 utility program to translate bit strings to character strings to be used with the SELECT or SELECTEX call.

Figure 169 on page 339 shows an example of EZACIC06 call instructions.

```

WORKING STORAGE
01 CHAR-MASK.
   05 CHAR-STRING PIC X(nn).
01 CHAR-ARRAY REDEFINES CHAR-MASK.
   05 CHAR-ENTRY-TABLE OCCURS nn TIMES.
     10 CHAR-ENTRY PIC X(1).
01 BIT-MASK.
   05 BIT-ARRAY-FWDS OCCURS (nn+31)/32 TIMES.
     10 BIT_ARRAY_WORD PIC 9(8) COMP.
01 BIT-FUNCTION-CODES.
   05 CTOB PIC X(4) VALUE 'CTOB'.
   05 BTOC PIC X(4) VALUE 'BTOC'.

01 CHAR-MASK-LENGTH PIC 9(8) COMP VALUE nn.

PROCEDURE CALL (to convert from character to binary)
  CALL 'EZACIC06' USING CTOB
                        BIT-MASK
                        CHAR-MASK
                        CHAR-MASK-LENGTH
                        RETCODE.

PROCEDURE CALL (to convert from binary to character)
  CALL 'EZACIC06' USING BTOC
                        BIT-MASK
                        CHAR-MASK
                        CHAR-MASK-LENGTH
                        RETCODE.

```

Figure 169. EZACIC06 call instruction example

For equivalent PL/I and assembler language declarations, see [“Converting parameter descriptions”](#) on page 205.

CHAR-MASK

Specifies the character array where *nn* is the maximum number of sockets in the array. The first character in the array represents socket 0, the second represents socket 1, and so on. Keep in mind that the index is 1 greater than the socket number. That is, CHAR-ENTRY(1) represents socket 0, CHAR-ENTRY(2) represents socket 1, and so on.

BIT-MASK

Specifies the bit string to be translated for the SELECT call. Within each fullword of the bit string, the bits are ordered right to left. The rightmost bit in the first fullword represents socket 0 and the leftmost bit represents socket 31. The rightmost bit in the second fullword represents socket 32 and the leftmost bit represents socket 63. The number of fullwords in the bit string should be calculated by dividing the sum of 31 and the character array length by 32 (truncate the remainder).

COMMAND

BTOC—Specifies bit string to character array translation.

CTOB—Specifies character array to bit string translation.

CHAR-MASK-LENGTH

Specifies the length of the character array. This field should be no greater than 1 plus the MAXSNO value returned on the INITAPI (which is usually the same as the MAXSOC value specified on the INITAPI).

RETCODE

A binary field that returns one of the following:

Value

Description

0

Successful call

5. The length of the alias name
 6. The alias name
 7. The host Internet address type, always 2 for AF_INET
 8. The host Internet address length, always 4 for AF_INET
 9. The number of host Internet addresses for this host
 10. The host Internet address sequence number
 11. The host Internet address
- If the GETHOSTBYADDR or GETHOSTBYNAME call returns more than one alias name or host Internet address (steps 3 and 9 in this topic), the application program should repeat the call to EZACIC08 until all alias names and host Internet addresses have been retrieved.

Figure 170 on page 341 shows an example of EZACIC08 call instructions.

```

WORKING-STORAGE SECTION.

    01  HOSTENT-ADDR      PIC 9(8) BINARY.
    01  HOSTNAME-LENGTH  PIC 9(4) BINARY.
    01  HOSTNAME-VALUE   PIC X(255).
    01  HOSTALIAS-COUNT  PIC 9(4) BINARY.
    01  HOSTALIAS-SEQ    PIC 9(4) BINARY.
    01  HOSTALIAS-LENGTH PIC 9(4) BINARY.
    01  HOSTALIAS-VALUE  PIC X(255).
    01  HOSTADDR-TYPE    PIC 9(4) BINARY.
    01  HOSTADDR-LENGTH  PIC 9(4) BINARY.
    01  HOSTADDR-COUNT   PIC 9(4) BINARY.
    01  HOSTADDR-SEQ     PIC 9(4) BINARY.
    01  HOSTADDR-VALUE   PIC 9(8) BINARY.
    01  RETURN-CODE     PIC 9(8) BINARY.

PROCEDURE DIVISION.

    CALL 'EZASOKET' USING 'GETHOSTBYADDR'
                    HOSTADDR HOSTENT-ADDR
                    RETCODE.

    CALL 'EZASOKET' USING 'GETHOSTBYNAME'
                    NAMELEN NAME HOSTENT-ADDR
                    RETCODE.

    CALL 'EZACIC08' USING HOSTENT-ADDR HOSTNAME-LENGTH
                    HOSTNAME-VALUE HOSTALIAS-COUNT HOSTALIAS-SEQ
                    HOSTALIAS-LENGTH HOSTALIAS-VALUE
                    HOSTADDR-TYPE HOSTADDR-LENGTH HOSTADDR-COUNT
                    HOSTADDR-SEQ HOSTADDR-VALUE RETURN-CODE

```

Figure 170. EZACIC08 call instruction example

For equivalent PL/I and assembler language declarations, see [“Converting parameter descriptions”](#) on page 205.

Parameter values set by the application

HOSTENT-ADDR

This fullword binary field must contain the address of the HOSTENT structure (as returned by the GETHOSTBYxxxx call). This variable is the same as the variable HOSTENT in the GETHOSTBYADDR and GETHOSTBYNAME socket calls.

HOSTALIAS-SEQ

This halfword field is used by EZACIC08 to index the list of alias names. When EZACIC08 is called, it adds one to the current value of HOSTALIAS-SEQ and uses the resulting value to index into the table of alias names. Therefore, for a given instance of GETHOSTBYxxxx, this field should be set to 0 for the initial call to EZACIC08. For all subsequent calls to EZACIC08, this field should contain the HOSTALIAS-SEQ number returned by the previous invocation.

HOSTADDR-SEQ

This halfword field is used by EZACIC08 to index the list of IP addresses. When EZACIC08 is called, it adds one to the current value of HOSTADDR-SEQ and uses the resulting value to index into the

table of IP addresses. Therefore, for a given instance of GETHOSTBYxxxx, this field should be set to 0 for the initial call to EZACIC08. For all subsequent calls to EZACIC08, this field should contain the HOSTADDR-SEQ number returned by the previous call.

Parameter values returned to the application

HOSTNAME-LENGTH

This halfword binary field contains the length of the host name (if host name was returned).

HOSTNAME-VALUE

This 255-byte character string contains the host name (if host name was returned).

HOSTALIAS-COUNT

This halfword binary field contains the number of alias names returned.

HOSTALIAS-SEQ

This halfword binary field is the sequence number of the alias name currently found in HOSTALIAS-VALUE.

HOSTALIAS-LENGTH

This halfword binary field contains the length of the alias name currently found in HOSTALIAS-VALUE.

HOSTALIAS-VALUE

This 255-byte character string contains the alias name returned by this instance of the call. The length of the alias name is contained in HOSTALIAS-LENGTH.

HOSTADDR-TYPE

This halfword binary field contains the type of host address. For FAMILY type AF_INET, HOSTADDR-TYPE is always 2.

HOSTADDR-LENGTH

This halfword binary field contains the length of the host Internet address currently found in HOSTADDR-VALUE. For FAMILY type AF_INET, HOSTADDR-LENGTH is always set to 4.

HOSTADDR-COUNT

This halfword binary field contains the number of host Internet addresses returned by this instance of the call.

HOSTADDR-SEQ

This halfword binary field contains the sequence number of the host Internet address currently found in HOSTADDR-VALUE.

HOSTADDR-VALUE

This fullword binary field contains a host Internet address.

RETURN-CODE

This fullword binary field contains the EZACIC08 return code:

Value

Description

0

Successful completion

-1

Invalid HOSTENT address

-2

Invalid HOSTALIAS-SEQ value

-3

Invalid HOSTADDR-SEQ value

EZACIC09 program

The GETADDRINFO call was derived from the C socket call that returns a structure known as RES. A given TCP/IP stacks host can have multiple sets of NAMES. TCP/IP stacks uses indirect addressing to connect

the variable number of NAMES in the RES structure that the GETADDRINFO call returns. If you are coding in PL/I or Assembler language, the RES structure can be processed in a relatively straightforward manner. However, if you are coding in COBOL, RES can be more difficult to process and you should use the EZACIC09 subroutine to process it for you. It works as follows:

- GETADDRINFO returns a RES structure that indirectly addresses the lists of socket address structures.
- Upon return from GETADDRINFO, your program calls EZACIC09 and passes it the address of the next address information structure as referenced by the NEXT argument. EZACIC09 processes the structure and returns the following:
 1. The socket address structure
 2. The next address information structure
- If the GETADDRINFO call returns more than one socket address structure, the application program should repeat the call to EZACIC09 until all socket address structures have been retrieved.

Figure 171 on page 343 shows an example of EZACIC09 call instructions.

Figure 171. EZACIC09 call instruction example (Part 1 of 2)

```

WORKING-STORAGE SECTION.
*
* Variables used for the GETADDRINFO call
*
01  getaddrinfo-params.
02  node-name                pic x(255).
02  node-name-len            pic 9(8) binary.
02  service-name            pic x(32).
02  service-name-len        pic 9(8) binary.
02  canonical-name-len      pic 9(8) binary.
02  ai-passive               pic 9(8) binary value 1.
02  ai-canonnameok          pic 9(8) binary value 2.
02  ai-numerichost          pic 9(8) binary value 4.
02  ai-numericerv           pic 9(8) binary value 8.
02  ai-v4mapped             pic 9(8) binary value 16.
02  ai-all                  pic 9(8) binary value 32.
02  ai-addrconfig           pic 9(8) binary value 64.
*
* Variables used for the EZACIC09 call
*
01  ezacic09-params.
02  res                      usage is pointer.
02  res-name-len             pic 9(8) binary.
02  res-canonical-name       pic x(256).
02  res-name                 usage is pointer.
02  res-next-addrinfo        usage is pointer.
*
* Socket address structure
*
01  server-socket-address.
05  server-family            pic 9(4) Binary Value 19.
05  server-port              pic 9(4) Binary Value 9997.
05  server-flowinfo          pic 9(8) Binary Value 0.
05  server-ipaddr.
10  filler                   pic 9(16) binary value 0.
10  filler                   pic 9(16) binary value 0.
05  server-scopeid           pic 9(8) Binary Value 0.

LINKAGE SECTION.

01  L1.
03  HINTS-ADDRINFO.
05  HINTS-AI-FLAGS           PIC 9(8) BINARY.
05  HINTS-AI-FAMILY          PIC 9(8) BINARY.
05  HINTS-AI-SOCKTYPE        PIC 9(8) BINARY.
05  HINTS-AI-PROTOCOL        PIC 9(8) BINARY.
05  FILLER                   PIC 9(8) BINARY.
05  FILLER                   PIC 9(8) BINARY.
05  FILLER                   PIC 9(8) BINARY.
05  FILLER                   PIC 9(8) BINARY.
03  HINTS-ADDRINFO-PTR       USAGE IS POINTER.
03  RES-ADDRINFO-PTR         USAGE IS POINTER.
*
* RESULTS ADDRESS INFO
*
01  RESULTS-ADDRINFO.

```

```

05 RESULTS-AI-FLAGS          PIC 9(8) BINARY.
05 RESULTS-AI-FAMILY        PIC 9(8) BINARY.
05 RESULTS-AI-SOCKTYPE      PIC 9(8) BINARY.
05 RESULTS-AI-PROTOCOL      PIC 9(8) BINARY.
05 RESULTS-AI-ADDR-LEN     PIC 9(8) BINARY.
05 RESULTS-AI-CANONICAL-NAME USAGE IS POINTER.
05 RESULTS-AI-ADDR-PTR     USAGE IS POINTER.
05 RESULTS-AI-NEXT-PTR     USAGE IS POINTER.

```

Figure 172. EZACIC09 call instruction example (Part 2 of 2)

```

*
* SOCKET ADDRESS STRUCTURE FROM EZACIC09.
*
01 OUTPUT-NAME-PTR          USAGE IS POINTER.
01 OUTPUT-IP-NAME.
03 OUTPUT-IP-FAMILY        PIC 9(4) BINARY.
03 OUTPUT-IP-PORT         PIC 9(4) BINARY.
03 OUTPUT-IP-SOCK-DATA    PIC X(24).
03 OUTPUT-IPV4-SOCK-DATA  REDEFINES OUTPUT-IP-SOCK-
DATA.
05 OUTPUT-IPV4-IPADDR     PIC 9(8) BINARY.
05 FILLER                 PIC X(20).
03 OUTPUT-IPV6-SOCK-DATA  REDEFINES OUTPUT-IP-SOCK-
DATA.
05 OUTPUT-IPV6-FLOWINFO   PIC 9(8) BINARY.
05 OUTPUT-IPV6-IPADDR.
10 FILLER                 PIC 9(16) BINARY.
10 FILLER                 PIC 9(16) BINARY.
05 OUTPUT-IPV6-SCOPEID   PIC 9(8) BINARY.

PROCEDURE DIVISION USING L1.

*
* Get an address from the resolver.
*
    move 'yournodename' to node-name.
    move 12 to node-name-len.
    move spaces to service-name.
    move 0 to service-name-len.
    move af-inet6 to hints-ai-family.
    move 49 to hints-ai-flags
    move 0 to hints-ai-socktype.
    move 0 to hints-ai-protocol.
    set address of results-addrinfo to res-addrinfo-ptr.
    set hints-addrinfo-ptr to address of hints-addrinfo.
    call 'EZASOCKET' using soket-getaddrinfo
        node-name node-name-len
        service-name service-name-len
        hints-addrinfo-ptr
        res-addrinfo-ptr
        canonical-name-len
        errno retcode.

*
* Use EZACIC09 to extract the IP address
*
    set address of results-addrinfo to res-addrinfo-ptr.
    set res to address of results-addrinfo.
    move zeros to res-name-len.
    move spaces to res-canonical-name.
    set res-name to nulls.
    set res-next-addrinfo to nulls.
    call 'EZACIC09' using res
        res-name-len
        res-canonical-name
        res-name
        res-next-addrinfo
        retcode.
    set address of output-ip-name to res-name.
    move output-ipv6-ipaddr to server-ipaddr.

```

For equivalent PL/I and assembler language declarations, see [“Converting parameter descriptions” on page 205.](#)

Parameter values set by the application

RES

This fullword binary field must contain the address of the ADDRINFO structure (as returned by the GETADDRINFO call). This variable is the same as the RES variable in the GETADDRINFO socket call.

RES-NAME-LEN

A fullword binary field that contains the length of the socket address structure as returned by the GETADDRINFO call.

Parameter values returned to the application**RES-CANONICAL-NAME**

A field large enough to hold the canonical name. The maximum field size is 256 bytes. The canonical name length field indicates the length of the canonical name as returned by the GETADDRINFO call.

RES-NAME

The address of the subsequent socket address structure.

RES-NEXT

The address of the next address information structure.

RETURN-CODE

This fullword binary field contains the EZACIC09 return code:

Value**Description****0**

Successful completion

-1

Invalid HOSTENT address

EZACIC14 program

The EZACIC14 program is an alternative to EZACIC04, which is used to translate EBCDIC data to ASCII data.

[Figure 173 on page 346](#) shows an example of how EZACIC14 translates a byte of EBCDIC data.

ASCII output by EZACIC14	second hex digit of byte of EBCDIC data																
	0	1	2	3	4	5	6	7	8	9	A	B	C	D	E	F	
first hex digit of byte of EBCDIC data	0	00	01	02	03	9C	09	86	7F	97	8D	8E	0B	0C	0D	0E	0F
	1	10	11	12	13	9D	85	08	87	18	19	92	8F	1C	1D	1E	1F
	2	80	81	82	83	84	0A	17	1B	88	89	8A	8B	8C	05	06	07
	3	90	91	16	93	94	95	96	04	98	99	9A	9B	14	15	9E	1A
	4	20	A0	E2	E4	E0	E1	E3	E5	E7	F1	A2	2E	3C	28	2B	7C
	5	26	E9	EA	EB	E8	ED	EE	EF	EC	DF	21	24	2A	29	3B	5E
	6	2D	2F	C2	C4	C0	C1	C3	C5	C7	D1	A6	2C	25	5F	3E	3F
	7	F8	C9	CA	CB	C8	CD	CE	CF	CC	60	3A	23	40	27	3D	22
	8	D8	61	62	63	64	65	66	67	68	69	AB	BB	F0	FD	FE	B1
	9	B0	6A	6B	6C	6D	6E	6F	70	71	72	AA	BA	E6	B8	C6	A4
	A	B5	7E	73	74	75	76	77	78	79	7A	A1	BF	D0	5B	DE	AE
	B	AC	A3	A5	B7	A9	A7	B6	BC	BD	BE	DD	A8	AF	5D	B4	D7
	C	7B	41	42	43	44	45	46	47	48	49	AD	F4	F6	F2	F3	F5
	D	7D	4A	4B	4C	4D	4E	4F	50	51	52	B9	FB	FC	F9	FA	FF
	E	5C	F7	53	54	55	56	57	58	59	5A	B2	D4	D6	D2	D3	D5
	F	30	31	32	33	34	35	36	37	38	39	B3	DB	DC	D9	DA	9F

Figure 173. EZACIC14 EBCDIC-to-ASCII table

Figure 174 on page 346 shows an example of EZACIC14 call instructions.

```

WORKING-STORAGE SECTION.
  01 OUT-BUFFER PIC X(length of output).
  01 LENGTH PIC 9(8) BINARY.

PROCEDURE DIVISION.
  CALL 'EZACIC14' USING OUT-BUFFER LENGTH.
  IF RETURN-CODE > 0
  THEN
  DISPLAY 'TRANSLATION FAILED ' RETURN-CODE.

```

Figure 174. EZACIC14 call instruction example

For equivalent PL/I and assembler language declarations, see [“Converting parameter descriptions”](#) on page 205.

OUT-BUFFER

A buffer that contains the following:

- When called – EBCDIC data
- Upon return – ASCII data

LENGTH

Specifies the length of the data to be translated.

EZACIC15 program

The EZACIC15 program is an alternative to EZACIC05 which is used to translate ASCII data to EBCDIC data.

Figure 175 on page 347 shows an example of how EZACIC15 translates a byte of ASCII data.

EBCDIC output by EZACIC15	second hex digit of byte of ASCII data															
	0	1	2	3	4	5	6	7	8	9	A	B	C	D	E	F
0	00	01	02	03	37	2D	2E	2F	16	05	25	0B	0C	0D	0E	0F
1	10	11	12	13	3C	3D	32	26	18	19	3F	27	1C	1D	1E	1F
2	40	5A	7F	7B	5B	6C	50	7D	4D	5D	5C	4E	6B	60	4B	61
3	F0	F1	F2	F3	F4	F5	F6	F7	F8	F9	7A	5E	4C	7E	6E	6F
4	7C	C1	C2	C3	C4	C5	C6	C7	C8	C9	D1	D2	D3	D4	D5	D6
5	D7	D8	D9	E2	E3	E4	E5	E6	E7	E8	E9	AD	E0	BD	5F	6D
6	79	81	82	83	84	85	86	87	88	89	91	92	93	94	95	96
7	97	98	99	A2	A3	A4	A5	A6	A7	A8	A9	C0	4F	D0	A1	07
8	20	21	22	23	24	15	06	17	28	29	2A	2B	2C	09	0A	1B
9	30	31	1A	33	34	35	36	08	38	39	3A	3B	04	14	3E	FF
A	41	AA	4A	B1	9F	B2	6A	B5	BB	B4	9A	8A	B0	CA	AF	BC
B	90	8F	EA	FA	BE	A0	B6	B3	9D	DA	9B	8B	B7	B8	B9	A9
C	64	65	62	66	63	67	9E	68	74	71	72	73	78	75	76	77
D	AC	69	ED	EE	EB	EF	EC	BF	80	FD	FE	FB	FC	BA	AE	59
E	44	45	42	46	43	47	9C	48	54	51	52	53	58	55	56	57
F	8C	49	CD	CE	CB	CF	CC	E1	70	DD	DE	DB	DC	8D	8E	DF

Figure 175. EZACIC15 ASCII-to-EBCDIC table

Figure 176 on page 347 shows an example of EZACIC15 call instructions.

```

WORKING-STORAGE SECTION.
  01 OUT-BUFFER   PIC X(length of output).
  01 LENGTH       PIC 9(8) BINARY.

PROCEDURE DIVISION.
  CALL 'EZACIC15' USING OUT-BUFFER LENGTH.           IF RETURN-CODE > 0
  THEN
  DISPLAY 'TRANSLATION FAILED ' RETURN-CODE.
  
```

Figure 176. EZACIC15 call instruction example

For equivalent PL/I and assembler language declarations, see “Converting parameter descriptions” on page 205.

OUT-BUFFER

A buffer that contains the following:

- When called – ASCII data
- Upon return – EBCDIC data

LENGTH

Specifies the length of the data to be translated.

Appendix A. Original COBOL application programming interface (EZACICAL)

The EZACICAL does not formally support IPv6 and it is not a recommended API.

This topic describes the first COBOL API provided with TCP/IP Version 2.2.1 for MVS. It is referred to as the EZACICAL API to distinguish it from the Sockets Extended API. (EZACICAL is the routine that is called for this API.)

It gives the format of each socket call and describes the call parameters. It starts with guidance on compiling COBOL programs.

Using the EZACICAL or Sockets Extended API

The EZACICAL API (described in this topic) and the Sockets Extended API (described in [Chapter 8, “Sockets extended API,”](#) on page 203) both provide sockets APIs for COBOL, PL/I, and Assembler language programs.

The Sockets Extended API is recommended because it has a simpler set of parameters for each call.

You might want to use the EZACICAL API if you have existing TCP/IP Version 2.2.1. for MVS COBOL/ assembler language programs that require maintenance or modification.

COBOL compilation

The procedure that you use to compile a (non-CICS TCP/IP) source VS COBOL II CICS program can be used for CICS TCP/IP programs, but it needs some modification.

The modified JCL procedure is shown in [Figure 177](#) on page 349. The procedure contains 3 steps:

1. **TRN** translates the COBOL program
2. **COB** compiles the translated COBOL program
3. **LKED** link-edits the final module to a LOADLIB

```
//CICRS2C JOB (999,POK),'CICRS2',NOTIFY=CICRS2, // CLASS=A,MSGCLASS=T,TIME=1439, //
REGION=5000K,MSGLEVEL=(1,1) //DFHEITVL PROC SUFFIX=1$, // INDEX='CICS410', //
INDEX2='CICS410', // OUTC=*, // REG=2048K, // LNKPARM='LIST,XREF', //
WORK=SYSDA //TRN EXEC PGM=DFHECP&SUFFIX, // PARM='COBOL2', //
REGION=&REG //STEPLIB DD DSN=&INDEX2..SDFHLOAD,DISP=SHR //SYSPRINT DD SYSOUT=&OUTC //SYSPUNCH DD
DSN=&&SYSCIN, // DISP=(,PASS),UNIT=&WORK, // DCB=BLKSIZE=400, //
SPACE=(400,(400,100)) // * //COB EXEC PGM=IGYCRCTL,REGION=&REG, //
PARM='NODYNAM,LIB,OBJECT,RENT,RES,APOST,MAP,XREF' //STEPLIB DD DSN=COBOL.V1R3M2.COB2COMP,DISP=SHR //
SYSLIB DD DSN=&INDEX..SDFHCOB,DISP=SHR // DD DSN=&INDEX..SDFHMAC,DISP=SHR //
DD DSN=CICRS2.MAPA.DATA,DISP=SHR //SYSPRINT DD SYSOUT=&OUTC //SYSIN DD
DSN=&&SYSCIN,DISP=(OLD,DELETE) //SYSLIN DD DSN=&&LOADSET,DISP=(MOD,PASS), //
UNIT=&WORK,SPACE=(80,(250,100)) //SYSUT1 DD UNIT=&WORK,SPACE=(460,(350,100)) //SYSUT2 DD
UNIT=&WORK,SPACE=(460,(350,100)) //SYSUT3 DD UNIT=&WORK,SPACE=(460,(350,100)) //SYSUT4
DD UNIT=&WORK,SPACE=(460,(350,100)) //SYSUT5 DD UNIT=&WORK,SPACE=(460,(350,100)) //
SYSUT6 DD UNIT=&WORK,SPACE=(460,(350,100)) //SYSUT7 DD UNIT=&WORK,SPACE=(460,
(350,100)) // * // X // * //
LKED EXEC PGM=IEWL,REGION=&REG, // PARM='&LNKPARM',COND=(5,LT,COB) //SYSLIB DD //
DSN=&INDEX2..SDFHLOAD,DISP=SHR // DD DSN=SYS1.COBOL.V1R3M2.COB2CICS,DISP=SHR //
DD DSN=COBOL.V1R3M2.COB2LIB,DISP=SHR // DD DSN=h1q.SEZATCP,DISP=SHR //
SYSLMOD DD DSN=CICRS2.CICS410.PGMLIB,DISP=SHR //SYSUT1 DD
UNIT=&WORK,DCB=BLKSIZE=1024, // SPACE=(1024,(200,20)) //SYSPRINT DD
SYSOUT=&OUTC // * // X //SYSLIN
DD DSN=&&LOADSET,DISP=(OLD,DELETE) // DD DDNAME=SYSIN // PEND //APPLPROG EXEC
DFHEITVL //TRN.SYSIN DD DISP=SHR,DSN=CICRS2.JCL.DATA(SISSRR1C) //LKED.SYSIN DD * INCLUDE
SYSLIB(EZACICAL) NAME SISSRR1C(R) /*
```

Figure 177. Modified JCL for COBOL compilation

The EZACICAL API

The EZACICAL API can be used by assembler language, COBOL, or PL/I programs and is invoked by calling the EZACICAL routine. Although the calls to this routine perform the same function as the C language calls described in Chapter 7, “C language application programming,” on page 137, the parameters are presented differently because of the differences in the languages. The equivalent to the return code provided by all C function calls is found in a decimal value parameter included as the last parameter variable.

EZACICAL call format for COBOL

The following is the EZACICAL call format for COBOL:

➤ CALL 'EZACICAL' USING TOKEN COMMAND — *parm1, parm2, ...* — ERRNO RETCODE. ➤

TOKEN

A 16-character field with the value 'TCPPIUCVSTREAMS'

COMMAND

A halfword binary value from 1 to 32, identifying the socket call.

parm*n*

The parameters particular to each socket call. For example, BIND, described in “COBOL call for BIND” on page 352, has two such parameters: S (socket), which is a halfword binary value, and NAME, which is a structure specifying a port name.

ERRNO

There is an error number in this field if the RETCODE is negative. This field is used in most, but not all, of the calls. It corresponds to the global errno variable in C.

RETCODE

A fullword binary variable containing the code returned by the EZACICAL call. This value corresponds to the normal return value of a C function.

EZACICAL call format for PL/I

The following is the EZACICAL call format for PL/I:

➤ CALL EZACICAL (TOKEN COMMAND — *parm1, parm2, ...* — ERRNO RETCODE); ➤

TOKEN

A 16-character field with the value 'TCPPIUCVSTREAMS'

COMMAND

A halfword binary value from 1 to 32, identifying the socket call.

parm*n*

The parameters particular to each socket call. For example, BIND, described in “COBOL call for BIND” on page 352, has two such parameters: S (socket), which is a halfword binary value, and NAME, which is a structure specifying a port name.

ERRNO

There is an error number in this field if the RETCODE is negative. This field is used in most, but not all, of the calls. It corresponds to the global errno variable in C.

RETCODE

A fullword binary variable containing the code returned by the EZACICAL call. This value corresponds to the normal return value of a C function.

EZACICAL call format for assembler language

The following is the EZACICAL call format for assembler language:


```
CALL EZACICAL,(TOKEN,COMMAND,parm1, parm2, ...ERRNO RETCODE),VL
```

The parameter descriptions in this topic are written using the COBOL language syntax and conventions. For assembler language, use the following conversions:

COBOL PIC

PIC S9(4) COMP	HALFWORD BINARY VALUE
PIC S9(8) COMP	FULLWORD BINARY VALUE
PIC X(n)	CHARACTER FIELD OF N BYTES

ASSEMBLER DECLARATION

DS H	HALFWORD BINARY VALUE
DS F	FULLWORD BINARY VALUE
DS CLn	CHARACTER FIELD OF n BYTES

COBOL and assembler language socket calls

The remainder of this topic describes the EZACICAL API call formats.

The descriptions assume you are using VS COBOL II. If you are using an earlier version, the picture clauses should read COMP rather than BINARY.

The following abbreviations are used:

H

Halfword

F

Fullword

D

Doubleword

CLn

Character format, length *n* bytes

XLn

Hexadecimal format, length *n* bytes

COBOL call for ACCEPT

This call functions in the same way as the equivalent call described [“ACCEPT call” on page 206](#). The format of the COBOL call for ACCEPT is:

```
CALL 'EZACICAL' USING TOKEN COMMAND S ZERO-FWRD NEW-S NAME ERRNO RETCODE.
```

In assembler language, issue the macro call CALL EZACICAL, using standard assembler call syntax (for the call format, see [“EZACICAL call format for assembler language” on page 350](#)).

Parameter lengths in assembler language and COBOL for ACCEPT

Assembler language	Assembler language	COBOL
TOKEN	CL16	PIC X(16)
COMMAND	H	PIC 9(4) BINARY
S	H	PIC 9(4) BINARY
ZERO-FWRD	F	PIC 9(8) BINARY
NEW-S	F	PIC S9(8) BINARY
NAME STRUCTURE:		

Assembler language	Assembler language	COBOL
<i>Internet Family</i>	H	PIC 9(4) BINARY
<i>Port</i>	H	PIC 9(4) BINARY
<i>Internet Address</i>	F	PIC 9(8) BINARY
<i>Zeros</i>	XL8	PIC X(8)
ERRNO	F	PIC 9(8) BINARY
RETCODE	F	PIC S9(8) BINARY

Parameter values to be set by the application for ACCEPT

TOKEN

Must be set to 'TCPIPIUCVSTREAMS'

COMMAND

Must be set to 1 for the ACCEPT command

S

The descriptor of the local socket on which the connection is accepted

ZERO-FWRD

Set to zeros

NEW-S

Set to -1. The system returns the socket number in the RETCODE field.

Note: Be sure to use **only** the socket number returned by the system.

Parameter values returned to the application for ACCEPT

NAME

Structure giving the name of the port to which the new socket is connected

Internet Family

AF - INET is always returned

Port

The port address of the new socket

Internet Address

The IP address of the new socket

Zeros

Set to binary zeros or LOW VALUES

ERRNO

If RETCODE is negative, this contains an error number. Error numbers are described in [Appendix B, "Return codes," on page 381.](#)

RETCODE

The socket number for new socket is returned. A RETCODE of -1 indicates an error.

COBOL call for BIND

This call functions in the same way as the equivalent call described in ["BIND call" on page 208.](#) The format of the COBOL call for the BIND function is:

```
CALL 'EZACICAL' USING TOKEN COMMAND S NAME ERRNO RETCODE.
```

In assembler language, issue the macro call CALL EZACICAL, using standard assembler call syntax (for the call format, see ["EZACICAL call format for assembler language" on page 350.](#))

Parameter lengths in assembler language and COBOL for BIND

Parameter	Assembler language	COBOL
TOKEN	CL16	PIC X(16)
COMMAND	H	PIC 9(4) BINARY
S	H	PIC 9(4) BINARY
NAME STRUCTURE:		
<i>Internet Family</i>	H	PIC 9(4) BINARY
<i>Port</i>	H	PIC 9(4) BINARY
<i>Internet Address</i>	F	PIC 9(8) BINARY
<i>Zeros</i>	XL8	PIC X(8)
ERRNO	F	PIC 9(8) BINARY
RETCODE	F	PIC S9(8) BINARY

Parameter values to be set by the application for BIND

TOKEN

Must be set to 'TCPIIUCVSTREAMS'

COMMAND

Must be set to 2 for the BIND command

S

The descriptor of the local socket to be bound

NAME

Structure giving the name of the port to which the socket is to be bound, consisting of:

Internet Family

Must be set to 2 (AF-INET)

Port

The local port address to which the socket is to be bound

Internet Address

The local IP address to which the socket is to be bound

Zeros

Set to binary zeros or low values

Parameter values returned to the application for BIND

NAME (*Port*)

If *Port* was set to 0, the system returns an available port.

ERRNO

If RETCODE is negative, this contains an error number. Error numbers are described in [Appendix B, "Return codes,"](#) on page 381.

RETCODE

A return of 0 indicates a successful call. A return of -1 indicates an error.

COBOL call for CLOSE

This call functions in the same way as the equivalent call described in ["CLOSE call" on page 213](#). The format of the COBOL call for the CLOSE function is:

```
CALL 'EZACICAL' USING TOKEN COMMAND S DZERO ERRNO RETCODE.
```

In assembler language, issue the macro call CALL EZACICAL, using standard assembler call syntax (for the call format, see [“EZACICAL call format for assembler language”](#) on page 350).

Parameter lengths in assembler language and COBOL for CLOSE

Parameter	Assembler language	COBOL
TOKEN	CL16	PIC X(16)
COMMAND	H	PIC 9(4) BINARY
S	H	PIC 9(4) BINARY
DZERO	D	PIC X(8)
ERRNO	F	PIC S9(8) BINARY
RETCODE	F	PIC S9(8) BINARY

Parameter values to be set by the application for CLOSE

TOKEN

Must be set to 'TCPIPIUCVSTREAMS'

COMMAND

Must be set to 3 for the CLOSE command

S

The descriptor of the socket to be closed

DZERO

Set to binary zeros or low values

Parameter values returned to the application for CLOSE

ERRNO

If RETCODE is negative, this contains an error number. Error numbers are described in [Appendix B, “Return codes,”](#) on page 381.

RETCODE

A return of 0 indicates a successful call. A return of -1 indicates an error.

COBOL call for CONNECT

This call functions in the same way as the equivalent call described in [“CONNECT call”](#) on page 214. The format of the COBOL call for the CONNECT function is:

```
CALL 'EZACICAL' USING TOKEN COMMAND S NAME ERRNO RETCODE.
```

In assembler language, issue the macro call CALL EZACICAL, using standard assembler call syntax (for the call format, see [“EZACICAL call format for assembler language”](#) on page 350).

Parameter lengths in assembler language and COBOL for CONNECT

Parameter	Assembler language	COBOL
TOKEN	CL16	PIC X(16)
COMMAND	H	PIC 9(4) BINARY
S	H	PIC 9(4) BINARY

NAME STRUCTURE:

Parameter	Assembler language	COBOL
<i>Internet Family</i>	H	PIC 9(4) BINARY
<i>Port</i>	H	PIC 9(4) BINARY
<i>Internet Address</i>	F	PIC 9(8) BINARY
<i>Zeros</i>	XL8	PIC X(8)
ERRNO	F	PIC 9(8) BINARY
RETCODE	F	PIC S9(8) BINARY

Parameter values to be set by the application for CONNECT

TOKEN

Must be set to 'TCPIPIUCVSTREAMS'

COMMAND

Must be set to 4 for the CONNECT command

S

The descriptor of the local socket to be used to establish a connection

NAME

Structure giving the name of the port to which the socket is to be connected, consisting of:

Internet Family

Must be set to 2 (AF-INET)

Port

The remote port number to which the socket is to be connected

Internet Address

The remote IP address to which the socket is to be connected

Zeros

Set to binary zeros or low values

Parameter values returned to the application for CONNECT

ERRNO

If RETCODE is negative, this contains an error number. Error numbers are described in [Appendix B, "Return codes,"](#) on page 381.

RETCODE

A return of 0 indicates a successful call. A return of -1 indicates an error.

COBOL call for FCNTL

This call functions in the same way as the equivalent call described in ["FCNTL call" on page 217](#). The format of the COBOL call for the FCNTL function is:

```
CALL 'EZACICAL' USING TOKEN COMMAND S CMD ARG ERRNO RETCODE.
```

In assembler language, issue the macro call CALL EZACICAL, using standard assembler call syntax (for the call format, see ["EZACICAL call format for assembler language" on page 350](#)).

Parameter lengths in assembler language and COBOL for FCNTL

Parameter	Assembler language	COBOL
TOKEN	CL16	PIC X(16)

Parameter	Assembler language	COBOL
COMMAND	H	PIC 9(4) BINARY
S	H	PIC 9(4) BINARY
CMD	F	PIC 9(8) BINARY
ARG	F	PIC 9(8)
ERRNO	F	PIC 9(8) BINARY
RETCODE	F	PIC S9(8) BINARY

Parameter values to be set by the application for FCNTL

TOKEN

Must be set to 'TCPIPIUCVSTREAMS'

COMMAND

Must be set to 5 for the FCNTL command

S

The socket descriptor whose FNDELAY flag is to be set or queried

CMD

Set a value of 3 to query the FNDELAY flag of socket *s*. This is equivalent to setting the *cmd* parameter to F-GETFL in the `fcntl()` C call.

Set a value of 4 to set the FNDELAY flag of socket *s*. This is equivalent to setting the *cmd* parameter to F-SETFL in the `fcntl()` C call.

ARG

If CMD is set to 4, setting ARG to 4 sets the FNDELAY flag; setting ARG to 3 resets the FNDELAY flag.

Parameter values returned to the application for FCNTL

ERRNO

If RETCODE is negative, this contains an error number. Error numbers are described in [Appendix B, "Return codes,"](#) on page 381.

RETCODE

If CMD was set to 3, a bit mask is returned. If CMD was set to 4, a successful call is indicated by 0 in this field. In both cases, a RETCODE of -1 indicates an error.

COBOL call for GETCLIENTID

This call functions in the same way as the equivalent call described in ["GETCLIENTID call"](#) on page 227. The format of the COBOL call for the GETCLIENTID function is:

```
CALL 'EZACICAL' USING TOKEN COMMAND HZERO DZERO CLIENTID ERRNO RETCODE.
```

In assembler language, issue the macro call `CALL EZACICAL`, using standard assembler call syntax (for the call format, see ["EZACICAL call format for assembler language"](#) on page 350).

Parameter lengths in assembler language and COBOL for GETCLIENTID

Parameter	Assembler language	COBOL
TOKEN	CL16	PIC X(16)
COMMAND	H	PIC 9(4) BINARY
HZERO	H	PIC 9(4) BINARY

Parameter	Assembler language	COBOL
DZERO	D	PIC X(8)
CLIENTID STRUCTURE:		
<i>Domain</i>	F	PIC 9(8) BINARY
<i>Name</i>	CL8	PIC X(8)
<i>Task</i>	CL8	PIC X(8)
<i>Reserved</i>	XL20	PIC X(20)
ERRNO	F	PIC 9(8) BINARY
RETCODE	F	PIC S9(8) BINARY

Parameter values to be set by the application for GETCLIENTID

TOKEN

Must be set to 'TCPIPIUCVSTREAMS'

COMMAND

Must be set to 30 for the GETCLIENTID command

HZERO

Set to binary zeros or LOW VALUES

DZERO

Set to binary zeros or LOW VALUES

CLIENTID

Domain

Must be set to 2 (AF-INET)

Parameter values returned to the application for GETCLIENTID

CLIENTID

Structure identifying the client as follows:

Name

Address space identification is returned

Task

Task identification is returned

Reserved

Zeros or LOW VALUES are returned

ERRNO

If RETCODE is negative, this contains an error number. Error numbers are described in [Appendix B, "Return codes,"](#) on page 381.

RETCODE

A return of 0 indicates a successful call. A return of -1 indicates an error.

COBOL call for GETHOSTID

This call functions in the same way as the equivalent call described in ["GETHOSTBYADDR call"](#) on page 228. The format of the COBOL call for the GETHOSTID function is:

```
CALL 'EZACICAL' USING TOKEN COMMAND HZERO DZERO ERRNO RETCODE.
```

In assembler language, issue the macro call CALL EZACICAL, using standard assembler call syntax (for the call format, see ["EZACICAL call format for assembler language"](#) on page 350).

Parameter lengths in assembler language and COBOL for GETHOSTID

Parameter	Assembler language	COBOL
TOKEN	CL16	PIC X(16)
COMMAND	H	PIC 9(4) BINARY
HZERO	H	PIC 9(4) BINARY
DZERO	D	PIC X(8)
ERRNO	F	PIC 9(8) BINARY
RETCODE	F	PIC S9(8) BINARY

Parameter values to be set by the application for GETHOSTID

TOKEN

Must be set to 'TCPIPIUCVSTREAMS'

COMMAND

Must be set to 7 for the GETHOSTID command

HZERO

Set to binary zeros or low values

DZERO

Set to binary zeros or low values

Parameter values returned to the application for GETHOSTID

ERRNO

This field is not used

RETCODE

Returns a fullword binary field containing the 32-bit Internet address of the host. A value of -1 is a call failure, probably indicating that an INITAPI call has not been issued. There is no ERRNO parameter for this call.

COBOL call for GETHOSTNAME

This call functions in the same way as the equivalent call described in [“GETHOSTBYNAME call”](#) on page 231.

Note: The host name returned is the host name the TCP/IP stack learned at startup from the TCP/IP.DATA file that was found. For more information about hostname, see [HOSTNAME statement in z/OS Communications Server: IP Configuration Reference](#).

The format of the COBOL call for the GETHOSTNAME function is:

```
CALL 'EZACICAL' USING TOKEN COMMAND HZERO DZERO NAMELEN NAME ERRNO RETCODE.
```

In assembler language, issue the macro call CALL EZACICAL, using standard assembler call syntax (for the call format, see [“EZACICAL call format for assembler language”](#) on page 350).

Parameter lengths in assembler language and COBOL for GETHOSTNAME

Parameter	Assembler language	COBOL
TOKEN	CL16	PIC X(16)
COMMAND	H	PIC 9(4) BINARY

Parameter	Assembler language	COBOL
HZERO	H	PIC 9(4) BINARY
DZERO	D	PIC X(8)
NAMELEN	F	PIC 9(8) BINARY
NAME	NAMELEN or larger	NAMELEN or larger
ERRNO	F	PIC 9(8) BINARY
RETCODE	F	PIC S9(8) BINARY

Parameter values to be set by the application for GETHOSTNAME

TOKEN

Must be set to 'TCPIPIUCVSTREAMS'

COMMAND

Must be set to 8 for the GETHOSTNAME command

HZERO

Set to 0

DZERO

Set to binary zeros or low values

NAMELEN

The length of the NAME field. The minimum length of the NAME field is 1 character. The maximum length of the NAME field is 255 characters.

Parameter values returned to the application for GETHOSTNAME

NAME

The host name returned from the call. If the host name is shorter than the NAMELEN value, then the NAME field is filled with binary zeros after the host name. If the host name is longer than the NAMELEN value, then the name is truncated.

ERRNO

If RETCODE is negative, this contains an error number. Error numbers are described in [Appendix B, "Return codes,"](#) on page 381.

RETCODE

A return of 0 indicates a successful call. A return of -1 indicates an error.

COBOL call for GETPEERNAME

This call functions in the same way as the equivalent call described in ["GETPEERNAME call"](#) on page 238. The format of the COBOL call for the GETPEERNAME function is:

```
CALL 'EZACICAL' USING TOKEN COMMAND S DZERO NAME ERRNO RETCODE.
```

In assembler language, issue the macro call CALL EZACICAL, using standard assembler call syntax (for the call format, see ["EZACICAL call format for assembler language"](#) on page 350).

Parameter lengths in assembler language and COBOL for GETPEERNAME

Parameter	COBOL	COBOL
TOKEN	CL16	PIC X(16)
COMMAND	H	PIC 9(4) BINARY

Parameter	COBOL	COBOL
S	H	PIC 9(4) BINARY
DZERO	D	PIC X(8)
NAME	CL16	PIC X(16)
ERRNO	F	PIC 9(8) BINARY
RETCODE	F	PIC S9(8) BINARY

Parameter values to be set by the application for GETPEERNAME

TOKEN

Must be set to 'TCPIPIUCVSTREAMS'

COMMAND

Must be set to 9 for the GETPEERNAME command

S

The descriptor of the local socket connected to the requested peer

DZERO

Set to binary zeros or low values

Parameter values returned to the application for GETPEERNAME

NAME

The peer name returned from the call

ERRNO

If RETCODE is negative, this contains an error number. Error numbers are described in [Appendix B, "Return codes,"](#) on page 381.

RETCODE

A return of 0 indicates a successful call. A return of -1 indicates an error.

COBOL call for GETSOCKNAME

This call functions in the same way as the equivalent call described in ["GETSOCKNAME call"](#) on page 240. The format of the COBOL call for the GETSOCKNAME function is:

```
CALL 'EZACICAL' USING TOKEN COMMAND S DZERO NAME ERRNO RETCODE.
```

In assembler language, issue the macro call CALL EZACICAL, using standard assembler call syntax (for the call format, see ["EZACICAL call format for assembler language"](#) on page 350).

Parameter lengths in assembler language and COBOL for GETSOCKNAME

Parameter	Assembler language	COBOL
TOKEN	CL16	PIC X(16)
COMMAND	H	PIC 9(4) BINARY
S	H	PIC 9(4) BINARY
DZERO	D	PIC X(8)
NAME STRUCTURE:		
<i>Internet Family</i>	H	PIC 9(4) BINARY
<i>Port</i>	H	PIC 9(4) BINARY

Parameter	Assembler language	COBOL
<i>Internet Address</i>	F	PIC 9(8) BINARY
<i>Zeros</i>	XL8	PIC X(8)
ERRNO	F	PIC 9(8) BINARY
RETCODE	F	PIC S9(8) BINARY

Parameter values to be set by the application for GETSOCKNAME

TOKEN

Must be set to 'TCPIPIUCVSTREAMS'

COMMAND

Must be set to 10 for the GETSOCKNAME command

S

The descriptor of the local socket whose address is required

DZERO

Set to binary zeros or low values

NAME

Structure giving the name of the port to which the socket is bound, consisting of:

Internet Family

Must be set to 2 (AF-INET).

Port

The local port address to which the socket is bound

Internet Address

The local IP address to which the socket is bound

Zeros

Set to binary zeros or low values

Parameter values returned to the application for GETSOCKNAME

ERRNO

If RETCODE is negative, this contains an error number. Error numbers are described in [Appendix B, "Return codes,"](#) on page 381.

RETCODE

A return of 0 indicates a successful call. A return of -1 indicates an error.

COBOL call for GETSOCKOPT

This call functions in the same way as the equivalent call described in ["GETSOCKOPT call"](#) on page 242. The format of the COBOL call for the GETSOCKOPT function is:

```
CALL 'EZACICAL'
    USING TOKEN COMMAND S LEVEL OPTNAME OPTLEN OPTVAL ERRNO RETCODE.
```

In assembler language, issue the macro call CALL EZACICAL, using standard assembler call syntax (for the call format, see ["EZACICAL call format for assembler language"](#) on page 350).

Parameter lengths in assembler language and COBOL for GETSOCKOPT

Parameter	Assembler language	COBOL
TOKEN	CL16	PIC X(16)

Parameter	Assembler language	COBOL
COMMAND	H	PIC 9(4) BINARY
S	H	PIC 9(4) BINARY
LEVEL	F	PIC X(4)
OPTNAME	F	PIC X(4)
OPTLEN	F	PIC 9(8) BINARY
OPTVAL	CL4	PIC X(4)
ERRNO	F	PIC 9(8) BINARY
RETCODE	F	PIC S9(8) BINARY

Parameter values to be set by the application for GETSOCKOPT

TOKEN

Must be set to 'TCPIPIUCVSTREAMS'

COMMAND

Must be set to 11 for the GETSOCKOPT command

S

The descriptor of the socket whose option settings are required

LEVEL

This must be set to X'0000FFFF'.

OPTNAME

Set this field to specify the option to be queried, as shown here. For a description of these options, see [“GETSOCKOPT call” on page 242](#)

Value

Meaning

X'00000004'

SO-REUSEADDR

X'00000020'

SO-BROADCAST

X'00001007'

SO-ERROR

X'00000080'

SO-LINGER

X'00000100'

SO-OOBINLINE

X'00001001'

SO-SNDBUF

X'00001008'

SO-TYPE

X'80000008'

TCP_KEEPAVIVE

X'80000001'

TCP_NODELAY

Parameter values returned to the application for GETSOCKOPT

OPTLEN

The length of the option data

OPTVAL

The value of the option. For all options except SO-LINGER, an integer indicates that the option is enabled, while a 0 indicates it is disabled. For SO-LINGER, the following structure is returned:

```
ONOFF    F    PIC X(4)
LINGER   F    PIC 9(4)
```

A nonzero value of ONOFF indicates that the option is enabled, and 0, that it is disabled. The LINGER value indicates the amount of time to linger after close.

ERRNO

If RETCODE is negative, this contains an error number. Error numbers are described in [Appendix B, "Return codes,"](#) on page 381.

RETCODE

A return of 0 indicates a successful call. A return of -1 indicates an error.

COBOL call for GIVESOCKET

This call functions in the same way as the equivalent call described in ["GIVESOCKET call"](#) on page 258. The format of the COBOL call for the GIVESOCKET function is:

```
CALL 'EZACICAL' USING TOKEN COMMAND S CLIENTID ERRNO RETCODE.
```

In assembler language, issue the macro call CALL EZACICAL, using standard assembler call syntax (for the call format, see ["EZACICAL call format for assembler language"](#) on page 350).

Parameter lengths in assembler language and COBOL for GIVESOCKET

Parameter	Assembler language	COBOL
TOKEN	CL16	PIC X(16)
COMMAND	H	PIC 9(4) BINARY
S	H	PIC 9(4) BINARY
CLIENTID STRUCTURE:		
<i>Domain</i>	F	PIC 9(8) BINARY
<i>Name</i>	CL8	PIC X(8)
<i>Task</i>	CL8	PIC X(8)
<i>Reserved</i>	XL20	PIC X(20)
ERRNO	F	PIC 9(8) BINARY
RETCODE	F	PIC S9(8) BINARY

Parameter values to be set by the application for GIVESOCKET

TOKEN

Must be set to 'TCPIPIUCVSTREAMS'

COMMAND

Must be set to 31 for the GIVESOCKET command

S

The socket descriptor of the socket to be given

CLIENTID

Structure identifying the client ID of this application, as follows:

Domain

Must be set to 2 (AF-INET)

Name

Set to the address space identifier obtained from GETCLIENTID

Task

Set to blanks

Reserved

Set to binary zeros or low values

Parameter values returned to the application for GIVESOCKET**ERRNO**

If RETCODE is negative, this contains an error number. Error numbers are described in [Appendix B, "Return codes,"](#) on page 381.

RETCODE

A return of 0 indicates a successful call. A return of -1 indicates an error.

COBOL call for INITAPI

The format of the COBOL call for the INITAPI function is:

```
CALL 'EZACICAL'
    USING TOKEN COMMAND FZERO MAX-SOCK API SUBTASK FZERO
    ERRNO RETCODE.
```

In assembler language, issue the macro call CALL EZACICAL, using standard assembler call syntax (for the call format, see ["EZACICAL call format for assembler language"](#) on page 350).

Parameter lengths in assembler language and COBOL for INITAPI

Parameter	Assembler language	COBOL
TOKEN	CL16	PIC X(16)
COMMAND	H	PIC 9(4) BINARY
MAX-SOCK	H	PIC 9(4) BINARY
API	H	PIC 9(4) BINARY
SUBTASK	XL8	PIC X(8)
FZERO	F	PIC 9(8) BINARY
ERRNO	F	PIC 9(8) BINARY
RETCODE	F	PIC S9(8) BINARY

Parameter values to be set by the application for INITAPI**TOKEN**

Must be set to 'TCPIPIUCVSTREAMS'

COMMAND

Must be set to 0 for the INITAPI command

MAX-SOCK

The maximum number of sockets to be supported in this application. This value cannot exceed 65535. The minimum value is 50.

API

Must be set to 2, indicating use of the sockets API

SUBTASK

A unique subtask identifier. It should consist of the 7-character CICS task number and any printable character.

Note: Using the letter L as the last character in the subtask parameter causes the tasking mechanism to assume the CICS transaction is a Listener and schedule it using a non-reusable subtask by way of MVS attach processing when OTE=NO. This has no effect when OTE=YES.

FZERO

Zeros

Parameter values returned to the application for INITAPI

ERRNO

If RETCODE=0, contains the highest socket number available to this program.

RETCODE

A return of 0 indicates a successful call. A return of -1 indicates an error.

COBOL call for IOCTL

This call functions in the same way as the equivalent call described in [“IOCTL call” on page 265](#). The format of the COBOL call for the IOCTL function is:

```
CALL 'EZACICAL'  
  USING TOKEN COMMAND S IOCTLCMD REQARG RETARG ERRNO RETCODE.
```

In assembler language, issue the macro call CALL EZACICAL, using standard assembler call syntax (for the call format, see [“EZACICAL call format for assembler language” on page 350](#)).

Parameter lengths in assembler language and COBOL for IOCTL

Parameter	Assembler language	COBOL
TOKEN	CL16	PIC X(16)
COMMAND	H	PIC 9(4) BINARY
S	H	PIC 9(4) BINARY
IOCTLCMD	F	PIC 9(8)
REQARG	var	var
RETARG	var	var
ERRNO	F	PIC S9(8) BINARY
RETCODE	F	PIC S9(8) BINARY

Parameter values to be set by the application for IOCTL

TOKEN

Must be set to 'TCPIPIUCVSTREAMS'

COMMAND

Must be set to 12 for the IOCTL command

S

The descriptor of the socket to be controlled

IOCTLCMD

Set to the command value to be passed to IOCTL. See [“IOCTL call” on page 265](#) for values and descriptions.

REQARG

The request argument associated with the command. See [“IOCTL call” on page 265](#) for a list and description of possible argument values.

Parameter values returned to the application for IOCTL**RETARG**

The return argument. See [“IOCTL call” on page 265](#) for a description of the return argument for each command.

ERRNO

If RETCODE is negative, this contains an error number. Error numbers are described in [Appendix B, “Return codes,” on page 381](#).

RETCODE

A return value of 0 indicates a successful call. A return value of -1 indicates an error.

COBOL call for LISTEN

This call functions in the same way as the equivalent call described in [“LISTEN call” on page 275](#). The format of the COBOL call for the LISTEN function is:

```
CALL 'EZACICAL' USING TOKEN COMMAND S FZERO BACKLOG ERRNO RETCODE.
```

In assembler language, issue the macro call CALL EZACICAL, using standard assembler call syntax (for the call format, see [“EZACICAL call format for assembler language” on page 350](#)).

Parameter lengths in assembler language and COBOL for LISTEN

Parameter	Assembler language	COBOL
TOKEN	CL16	PIC X(16)
COMMAND	H	PIC 9(4) BINARY
S	H	PIC 9(4) BINARY
FZERO	F	PIC 9(8) BINARY
BACKLOG	F	PIC 9(8) BINARY
ERRNO	F	PIC 9(8) BINARY
RETCODE	F	PIC S9(8) BINARY

Parameter values to be set by the application for LISTEN**TOKEN**

Must be set to 'TCPIPIUCVSTREAMS'

COMMAND

Must be set to 13 for the LISTEN command

S

The descriptor of the socket that is going to listen for incoming connection requests

FZERO

Set to binary zeros or low values

BACKLOG

Set to the number of connection requests to be queued.

Note: The BACKLOG value specified on the LISTEN command cannot be greater than the value configured by the SOMAXCONN statement in the stack's TCPIP PROFILE (default=10); no error is

returned if a larger backlog is requested. If you want a larger backlog, update the SOMAXCONN statement. See [z/OS Communications Server: IP Configuration Reference](#) for details.

Parameter values returned to the application for LISTEN

ERRNO

If RETCODE is negative, this contains an error number. Error numbers are described in [Appendix B, “Return codes,”](#) on page 381.

RETCODE

A return value of 0 indicates a successful call. A return value of -1 indicates an error.

COBOL call for READ

This call functions in the same way as the equivalent call described in [“READ call”](#) on page 280. The format of the COBOL call for the READ function is:

```
CALL 'EZACICAL'  
  USING TOKEN COMMAND S DZERO NBYTE FILLER BUF ERRNO RETCODE.
```

In assembler language, issue the macro call CALL EZACICAL, using standard assembler call syntax (for the call format, see [“EZACICAL call format for assembler language”](#) on page 350).

Parameter lengths in assembler language and COBOL for READ

Parameter	Assembler language	COBOL
TOKEN	CL16	PIC X(16)
COMMAND	H	PIC 9(4) BINARY
S	H	PIC 9(4) BINARY
DZERO	D	PIC X(8)
NBYTE	F	PIC 9(8) BINARY
FILLER	CL16	PIC X(16)
BUF	NBYTE or larger	NBYTE or larger
ERRNO	F	PIC 9(8) BINARY
RETCODE	F	PIC S9(8) BINARY

Parameter values to be set by the application for READ

TOKEN

Must be set to 'TCPIIUCVSTREAMS'

COMMAND

Must be set to 14 for the READ command

S

The descriptor of the socket that is going to read data

DZERO

Set to binary zeros or low values

NBYTE

Set to the length of the buffer (maximum 32 767 bytes)

Parameter values returned to the application for READ

FILLER

Your program should ignore this field.

BUF

The input buffer.

ERRNO

If RETCODE is negative, this contains an error number. Error numbers are described in [Appendix B, "Return codes,"](#) on page 381.

RETCODE

A positive value indicates the number of bytes copied into the buffer. A value of 0 indicates that the socket is closed. A value of -1 indicates an error.

See ["EZACIC05 program"](#) on page 337 for a subroutine that translates ASCII data to EBCDIC.

COBOL call for RECVFROM

This call functions in the same way as the equivalent call described in ["RECV call"](#) on page 283. The format of the COBOL call for the RECVFROM function is:

```
CALL 'EZACICAL'  
  USING TOKEN COMMAND S FZERO FLAGS NBYTE FROM BUF ERRNO RETCODE.
```

In assembler language, issue the macro call CALL EZACICAL, using standard assembler call syntax (for the call format, see ["EZACICAL call format for assembler language"](#) on page 350).

Parameter lengths in assembler language and COBOL for RECVFROM

Parameter	Assembler language	COBOL
TOKEN	CL16	PIC X(16)
COMMAND	H	PIC 9(4) BINARY
S	H	PIC 9(4) BINARY
FZERO	F	PIC 9(8) BINARY
FLAGS	F	PIC 9(8) BINARY
NBYTE	F	PIC 9(8) BINARY
FROM	CL16	PIC X(16)
BUF	NBYTE or larger	NBYTE or larger
ERRNO	F	PIC 9(8) BINARY
RETCODE	F	PIC S9(8) BINARY

Parameter values to be set by the application for RECVFROM

TOKEN

Must be set to 'TCPIIUCVSTREAMS'

COMMAND

Must be set to 16 for the RECVFROM command

S

The descriptor of the socket receiving data

FZERO

Set to binary zeros or low values

FLAGS

Set to 2 to peek at (read) data, but not destroy it, so that any subsequent RECVFROM calls reads the same data. CICS TCP/IP does not support out-of-band data.

NBYTE

Set to the length of the input buffer. This length cannot exceed 32768 bytes.

Parameter values returned to the application for RECVFROM**FROM**

The socket address structure identifying the from address of the data.

BUF

The input buffer.

ERRNO

If RETCODE is negative, this contains an error number. Error numbers are described in [Appendix B, "Return codes,"](#) on page 381.

RETCODE

A positive value indicates the number of bytes copied into the buffer. A value of 0 indicates that the socket is closed. A value of -1 indicates an error.

See ["EZACIC05 program" on page 337](#) for a subroutine that translates ASCII data to EBCDIC.

COBOL call for SELECT

This call functions in the same way as the equivalent call described in ["SELECT call" on page 291](#). The format of the COBOL call for the SELECT function is:

```
CALL 'EZACICAL' USING TOKEN COMMAND LOM NUM-FDS
TIME-SW RD-SW WR-SW EX-SW
TIMEOUT RD-MASK WR-MASK EX-MASK
DZERO R-R-MASK R-W-MASK R-E-MASK
ERRNO RETCODE.
```

In assembler language, issue the macro call CALL EZACICAL, using standard assembler call syntax (for the call format, see ["EZACICAL call format for assembler language" on page 350](#)).

Parameter lengths in assembler language and COBOL for SELECT

Parameter	Assembler language	COBOL
TOKEN	CL16	PIC X(16)
COMMAND	H	PIC 9(4) BINARY
LOM	H	PIC 9(4) BINARY
NUM-FDS	F	PIC 9(8) BINARY
TIME-SW	F	PIC 9(8) BINARY
RD-SW	F	PIC 9(8) BINARY
WR-SW	F	PIC 9(8) BINARY
EX-SW	F	PIC 9(8) BINARY
TIMEOUT STRUCTURE:		
<i>Seconds</i>	F	PIC 9(8) BINARY
<i>Milliseconds</i>	F	PIC 9(8) BINARY
RD-MASK	Length Of Mask*	Length Of Mask*
WR-MASK	Length of Mask*	Length of Mask*

Parameter	Assembler language	COBOL
EX-MASK	Length of Mask*	Length of Mask*
DZERO	D	PIC X(8)
R-R-MASK	Length of Mask*	Length of Mask*
R-W-MASK	Length of Mask*	Length of Mask*
R-E-MASK	Length of Mask*	Length of Mask*
ERRNO	F	PIC 9(8) BINARY
RETCODE	F	PIC S9(8) BINARY

How to calculate Length of Mask (LOM)

1. $LOM = ((NUM-FDS + 31)/32) * 4$, using integer arithmetic.
2. So, for $NUM-FDS \leq 32$, $LOM = 4$ bytes.
3. For $33 \leq NUM-FDS \leq 64$, $LOM = 8$ bytes, and so on.

Parameter values to be set by the application for SELECT

TOKEN

Must be set to 'TCPIPIUCVSTREAMS'

COMMAND

Must be set to 19 for the SELECT command

LOM

Set to the length of mask. The calculation method is given in [“How to calculate Length of Mask \(LOM\)” on page 370](#).

NUM-FDS

The number of socket descriptors to check. For efficiency, it should be set to the largest number of socket descriptors plus 1.

TIME-SW

Set to 0 to specify a wait forever on socket descriptor activity. Set to 1 to specify a timeout value; this blocks the call until the timeout value is exceeded or until there is socket activity.

RD-SW

Set either 0 (do not check for read interrupts) or 1 (check for read interrupts).

WR-SW

Set either 0 (do not check for write interrupts) or 1 (check for write interrupts).

EX-SW

Set either 0 (do not check for exception interrupts) or 1 (check for exception interrupts).

TIMEOUT

Use this structure to set the timeout value if no activity is detected. Setting this structure to (0,0) indicates that SELECT should act as a polling function; that is, as nonblocking.

Seconds

Set to the seconds component of the timeout value.

Milliseconds

Set to the milliseconds component of the timeout value (in the range 0 - 999).

RD-MASK

Set the bit mask array for reads. See [z/OS Communications Server: IP Programmer's Guide and Reference](#) for more information.

WR-MASK

Set the bit mask array for writes. See [z/OS Communications Server: IP Programmer's Guide and Reference](#) for more information.

EX-MASK

Set the bit mask array for exceptions. See [z/OS Communications Server: IP Programmer's Guide and Reference](#) for more information.

DZERO

Set to binary zeros or low values.

Parameter values returned to the application for SELECT**R-R-MASK**

Returned bit mask array for reads. See [z/OS Communications Server: IP Programmer's Guide and Reference](#) for more information.

R-W-MASK

Returned bit mask array for writes. See [z/OS Communications Server: IP Programmer's Guide and Reference](#) for more information.

R-E-MASK

Returned bit mask array for exceptions. See [z/OS Communications Server: IP Programmer's Guide and Reference](#) for more information.

ERRNO

If RETCODE is negative, this contains an error number. Error numbers are described in [Appendix B, "Return codes,"](#) on page 381.

RETCODE

A positive value indicates the total number of ready sockets in all bit masks. A value of 0 indicates an expired time limit. A value of -1 indicates an error.

COBOL call for SEND

This call functions in the same way as the equivalent call described in ["SEND call"](#) on page 301. The format of the COBOL call for the SEND function is:

```
CALL 'EZACICAL' USING TOKEN COMMAND S NBYTE FLAGS DZERO BUF ERRNO RETCODE.
```

In assembler language, issue the macro call CALL EZACICAL, using standard assembler call syntax (for the call format, see ["EZACICAL call format for assembler language"](#) on page 350).

Parameter lengths in assembler language and COBOL for SEND

Parameter	Assembler language	COBOL
TOKEN	CL16	PIC X(16)
COMMAND	H	PIC 9(4) BINARY
S	H	PIC 9(4) BINARY
NBYTE	F	PIC 9(8) BINARY
FLAGS	F	PIC 9(8) BINARY
DZERO	D	PIC X(8)
BUF	NBYTE or larger	NBYTE or larger
ERRNO	F	PIC 9(8) BINARY
RETCODE	F	PIC S9(8) BINARY

Parameter values to be set by the application for SEND

TOKEN

Must be set to 'TCPIPIUCVSTREAMS'

COMMAND

Must be set to 20 for the SEND command

S

The descriptor of the socket sending the data

NBYTE

Set to the number of bytes to be transmitted (maximum 32768 bytes)

FLAGS

Set to 0 (no flags) or 4 (do not route, routing is provided). CICS TCP/IP does not support out-of-band data.

DZERO

Set to binary zeros or low values

BUF

Buffer from which data is transmitted

Parameter values returned to the application for SEND

ERRNO

If RETCODE is negative, this contains an error number. Error numbers are described in [Appendix B, "Return codes,"](#) on page 381.

RETCODE

A value of -1 indicates an error. Other values have no meaning.

See ["EZACIC04 program"](#) on page 336 for a subroutine that translates EBCDIC data to ASCII.

COBOL call for SENDTO

This call functions in the same way as the equivalent call described in ["SENDTO call"](#) on page 306. The format of the COBOL call for the SENDTO function is:

```
CALL 'EZACICAL' USING TOKEN COMMAND S LEN FLAGS NAME BUF ERRNO RETCODE.
```

In assembler language, issue the macro call CALL EZACICAL, using standard assembler call syntax (for the call format, see ["EZACICAL call format for assembler language"](#) on page 350).

Parameter lengths in assembler language and COBOL for SENDTO

Parameter	Assembler language	COBOL
TOKEN	CL16	PIC X(16)
COMMAND	H	PIC 9(4) BINARY
S	H	PIC 9(4) BINARY
LEN	F	PIC 9(8) BINARY
FLAGS	F	PIC 9(8) BINARY
NAME STRUCTURE:		
<i>in-family</i>	H	PIC 9(4) BINARY
<i>in-port</i>	H	PIC 9(4) BINARY
<i>in-address</i>	F	PIC 9(8) BINARY

Parameter	Assembler language	COBOL
<i>dzero</i>	D	PIC X(8)
BUF	LEN or larger	LEN or larger
ERRNO	F	PIC 9(8) BINARY
RETCODE	F	PIC S9(8) BINARY

Parameter values to be set by the application for SENDTO

TOKEN

Must be set to 'TCPIPIUCVSTREAMS'

COMMAND

Must be set to 22 for the SENDTO command

S

The descriptor of the socket sending the data

LEN

The number of bytes to be transmitted (maximum 32768 bytes)

FLAGS

Set to 0 (no flags) or 4 (do not route, routing is provided)

NAME

Structure specifying the address to which data is to be sent, as follows:

in-family

Must be set to 2 (AF-INET)

in-port

Set to the port number for receiver

in-address

Set to the IP address for receiver

dzero

Set to binary zeros or low values

BUF

Set to the buffer from which data is transmitted

Parameter values returned to the application for SENDTO

ERRNO

If RETCODE is negative, this contains an error number. Error numbers are described in [Appendix B, "Return codes,"](#) on page 381.

RETCODE

A value of -1 indicates an error. Other values have no meaning.

See ["EZACIC04 program"](#) on page 336 for a subroutine that translates EBCDIC data to ASCII.

COBOL call for SETSOCKOPT

This call functions in the same way as the equivalent call described ["GETSOCKOPT call"](#) on page 242. The format of the COBOL call for the SETSOCKOPT function is:

```
CALL 'EZACICAL'
    USING TOKEN COMMAND S LEN LEVEL OPTNAME OPTVAL ERRNO RETCODE.
```

In assembler language, issue the macro call CALL EZACICAL, using standard assembler call syntax (for the call format, see ["EZACICAL call format for assembler language"](#) on page 350).

Parameter lengths in assembler language and COBOL for SETSOCKOPT

Parameter	Assembler language	COBOL
TOKEN	CL16	PIC X(16)
COMMAND	H	PIC 9(4) BINARY
S	H	PIC 9(4) BINARY
LEN	F	PIC 9(8) BINARY
LEVEL	F	PIC X(4)
OPTNAME	F	PIC 9(8) BINARY
OPTVAL	CL4	PIC X(4)
ERRNO	F	PIC 9(8) BINARY
RETCODE	F	PIC S9(8) BINARY

Parameter values to be set by the application for SETSOCKOPT

TOKEN

Must be set to 'TCPIPIUCVSTREAMS'

COMMAND

Must be set to 23 for the SETSOCKOPT command

S

The descriptor of the socket whose options are to be set

LEN

Set to the length of OPTVAL

LEVEL

This must be set to X'0000FFFF'.

OPTNAME

Set this field to specify the option to be set, as shown here. See [“SETSOCKOPT call” on page 309](#) for a description of these settings.

Value

Meaning

X'00000020'

SO-BROADCAST

X'00000080'

SO-LINGER

X'00000100'

SO-OOBINLINE

X'00000004'

SO-REUSEADDR

X'80000008'

TCP_KEEPAVIVE

X'80000001'

TCP_NODELAY

OPTVAL

For SO-BROADCAST, SO-OOBINLINE, and SO-REUSEADDR, set to a nonzero integer to enable the option specified in OPTNAME, and set to 0 to disable the option. For SO-LINGER, see the equivalent OPTVAL parameter in [“SETSOCKOPT call” on page 309](#).

Parameter values returned to the application for SETSOCKOPT

ERRNO

If RETCODE is negative, this contains an error number. Error numbers are described in [Appendix B, “Return codes,”](#) on page 381.

RETCODE

A return value of 0 indicates a successful call. A return value of -1 indicates an error.

COBOL call for SHUTDOWN

This call functions in the same way as the equivalent call described in [“SHUTDOWN call”](#) on page 325. The format of the COBOL call for the SHUTDOWN function is:

```
CALL 'EZACICAL' USING TOKEN COMMAND S FZERO HOW ERRNO RETCODE.
```

In assembler language, issue the macro call CALL EZACICAL, using standard assembler call syntax (for the call format, see [“EZACICAL call format for assembler language”](#) on page 350).

Parameter lengths in assembler language and COBOL for SHUTDOWN

Parameter	Assembler language	COBOL
TOKEN	CL16	PIC X(16)
COMMAND	H	PIC 9(4) BINARY
S	H	PIC 9(4) BINARY
FZERO	F	PIC 9(8) BINARY
HOW	F	PIC 9(8) BINARY
ERRNO	F	PIC 9(8) BINARY
RETCODE	F	PIC S9(8) BINARY

Parameter values to be set by the application for SHUTDOWN

TOKEN

Must be set to 'TCPIPIUCVSTREAMS'

COMMAND

Must be set to 24 for the SHUTDOWN command

S

The descriptor of the socket to be shut down

FZERO

Set to zeros

HOW

Set this to specify whether all or part of a connection is to be shut down, as follows:

Value

Meaning

0

Ends communication from the socket

1

Ends communication to the socket

2

Ends communication both to and from the socket

Parameter values returned to the application for SHUTDOWN

ERRNO

If RETCODE is negative, this contains an error number. Error numbers are described in [Appendix B, “Return codes,”](#) on page 381.

RETCODE

A return value of 0 indicates a successful call. A return value of -1 indicates an error.

COBOL call for SOCKET

This call functions in the same way as the equivalent call described in [“SOCKET call”](#) on page 327. The format of the COBOL call for the SOCKET function is:

```
CALL 'EZACICAL'  
    USING TOKEN COMMAND HZERO AF TYPE PROTOCOL SOCKNO ERRNO RETCODE.
```

In assembler language, issue the macro call CALL EZACICAL, using standard assembler call syntax (for call format, see [“EZACICAL call format for assembler language”](#) on page 350).

Parameter lengths in assembler language and COBOL for SOCKET

Parameter	Assembler language	COBOL
TOKEN	CL16	PIC X(16)
COMMAND	H	PIC 9(4) BINARY
HZERO	H	PIC 9(4) BINARY
AF	F	PIC 9(8) BINARY
TYPE	F	PIC 9(8) BINARY
PROTOCOL	F	PIC 9(8) BINARY
SOCKNO	F	PIC S9(8) BINARY
ERRNO	F	PIC 9(8) BINARY
RETCODE	F	PIC S9(8) BINARY

Parameter values to be set by the application for SOCKET

TOKEN

Must be set to 'TCPIIUCVSTREAMS'

COMMAND

Must be set to 25 for the SOCKET command

HZERO

Set to binary zeros or low values

AF

Must be set to 2 (AF-INET)

TYPE

Set to 1 for TCP sockets; 2 for UDP sockets.

PROTOCOL

Set to 0. (The system selects the appropriate protocol for the TYPE specified in [“TYPE”](#) on page 376.)

SOCKNO

Set to -1. The system returns the socket number in the RETCODE field.

Note: Use only the socket number returned by the system.

Parameter values returned to the application for SOCKET

ERRNO

If RETCODE is negative, this contains an error number. Error numbers are described in [Appendix B, “Return codes,”](#) on page 381.

RETCODE

The socket number for the new socket is returned. A RETCODE of -1 indicates an error.

COBOL call for TAKESOCKET

This call functions in the same way as the equivalent call described in [“TAKESOCKET call”](#) on page 329. The format of the COBOL call for the TAKESOCKET function is:

```
CALL 'EZACICAL'  
    USING TOKEN COMMAND HZERO CLIENTID L-DESC SOCKNO ERRNO RETCODE.
```

In assembler language, issue the macro call CALL EZACICAL, using standard assembler call syntax (for the call format, see [“EZACICAL call format for assembler language”](#) on page 350).

Parameter lengths in assembler language and COBOL for TAKESOCKET

Parameter	Assembler language	COBOL
TOKEN	CL16	PIC X(16)
COMMAND	H	PIC 9(4) BINARY
HZERO	H	PIC 9(4) BINARY
CLIENTID STRUCTURE:		
<i>Domain</i>	F	PIC 9(8) BINARY
<i>Name</i>	CL8	PIC X(8)
<i>Task</i>	CL8	PIC X(8)
<i>Reserved</i>	CL20	PIC X(20)
L-DESC	F	PIC 9(8) BINARY
SOCKNO	F	PIC S9(8) BINARY
ERRNO	F	PIC 9(8) BINARY
RETCODE	F	PIC 9(8) BINARY

Parameter values to be set by the application for TAKESOCKET

TOKEN

Must be set to 'TCPIPIUCVSTREAMS'

COMMAND

Must be set to 32 for the TAKESOCKET command

HZERO

Set to zeros

CLIENTID

Structure specifying the client ID of this program:

Domain

Must be set to 2 (AF-INET)

Name

Set to address space identifier, obtained from GETCLIENTID

Task

Set to CICS task number with L at the right end

Reserved

Set to binary zeros or LOW VALUES

L-DESC

Set to the descriptor (as used by the socket-giving program) of the socket being passed.

SOCKNO

Set to -1. The system returns the socket number in the RETCODE field.

Note: Be sure to use **only** the socket number returned by the system.

Parameter values returned to the application for TAKESOCKET**ERRNO**

If RETCODE is negative, this contains an error number. Error numbers are described in [Appendix B, "Return codes,"](#) on page 381.

RETCODE

The socket number for the new socket is returned. A RETCODE of -1 indicates an error.

COBOL call for WRITE

This call functions in the same way as the equivalent call described in ["WRITE call"](#) on page 331. The format of the COBOL call for the WRITE function is:

```
CALL 'EZACICAL' USING TOKEN COMMAND S NBYTE FZERO SZERO BUF ERRNO RETCODE.
```

In assembler language, issue the macro call CALL EZACICAL, using standard assembler call syntax (for the call format, see ["EZACICAL call format for assembler language"](#) on page 350).

Parameter lengths in assembler language and COBOL for WRITE

Parameter	Assembler language	COBOL
TOKEN	CL16	PIC X(16)
COMMAND	H	PIC 9(4) BINARY
S	H	PIC 9(4) BINARY
NBYTE	F	PIC 9(8) BINARY
FZERO	F	PIC 9(8) BINARY
SZERO	XL16	PIC X(16)
BUF	NBYTE or larger	NBYTE or larger
ERRNO	F	PIC 9(8) BINARY
RETCODE	F	PIC S9(8) BINARY

Parameter values to be set by the application for WRITE**TOKEN**

Must be set to 'TCPIPIUCVSTREAMS'

COMMAND

Must be set to 26 for the WRITE command

S

The descriptor of the socket from which data is to be transmitted

NBYTE

Set to the number of bytes of data to be transmitted. This value cannot exceed 32768 bytes.

FZERO

Set to binary zeros or LOW VALUES

SZERO

Set to binary zeros or LOW VALUES

BUF

Buffer containing data to be transmitted

Parameter values returned to the application for WRITE**ERRNO**

If RETCODE is negative, this contains an error number. Error numbers are described in [Appendix B, "Return codes,"](#) on page 381.

RETCODE

The number of bytes written is returned. A RETCODE of -1 indicates an error.

See ["EZACIC04 program"](#) on page 336 for a subroutine that translates EBCDIC data to ASCII.

Appendix B. Return codes

This topic covers the following return codes and error messages:

- Error numbers from z/OS TCP/IP.
- Error codes from the Sockets Extended interface.

Sockets return codes (ERRNOs)

This section provides the system-wide message numbers and codes set by the system calls. These message numbers and codes are in the TCPERRNO.H include file supplied with TCP/IP Services.

Table 25. Sockets ERRNOs

Error number	Message name	Socket API type	Error description	Programmer's response
1	EAI_NONAME	GETADDRINFO GETNAMEINFO	NODE or HOST cannot be found.	Ensure the NODE or HOST name can be resolved.
1	EDOM	All	Argument too large.	Check parameter values of the function call.
1	EPERM	All	Permission is denied. No owner exists.	Check that TCP/IP is still active; check protocol value of socket () call.
1	EPERM	IOCTL (SIOCGPARTNERINFO)	Both endpoints do not reside in the same security domain.	Check and modify the security domain name for the endpoints. After you correct the security domain name, the application might need to close the connection if the IOCTL is needed.
1	EPERM	IOCTL (SIOCGPARTNERINFO, SIOCSPARTNERINFO)	The security domain name is not defined.	Define the security domain name on both endpoints. After you define the security domain name, the application might need to close the connection if the IOCTL is needed.
1	EPERM	IOCTL (SIOCTTLSCCTL)	Denotes one of the following error conditions: <ul style="list-style-type: none"> • The TTLS_INIT_CONNECTION option was requested with either TTLS_RESET_SESSION, TTLS_RESET_CIPHER, TTLS_RESET_WRITE_CIPHER, TTLS_SEND_SESSION_TICKET, or TTLS_STOP_CONNECTION • The TTLS_STOP_CONNECTION option was requested along with TTLS_RESET_SESSION, TTLS_RESET_CIPHER, TTLS_RESET_WRITE_CIPHER, or TTLS_SEND_SESSION_TICKET • The TTLS_ALLOW_HSTIMEOUT option was requested without TTLS_INIT_CONNECTION • The TTLS_RESET_WRITE_CIPHER option was requested along with TTLS_RESET_SESSION or TTLS_RESET_CIPHER • The TTLS_SEND_SESSION_TICKET option was requested along with TTLS_RESET_SESSION, TTLS_RESET_CIPHER, or TTLS_RESET_WRITE_CIPHER 	Request TTLS_RESET_SESSION, TTLS_RESET_CIPHER, TTLS_RESET_WRITE_CIPHER, or TTLS_SEND_SESSION_TICKET only when TTLS_INIT_CONNECTION and TTLS_STOP_CONNECTION are not requested. Always request TTLS_INIT_CONNECTION when TTLS_ALLOW_HSTIMEOUT is requested. Use separate SIOCTTLSCCTL ioctls to request TTLS_INIT_CONNECTION and TTLS_STOP_CONNECTION. Use separate SIOCTTLSCCTL ioctls to request TTLS_RESET_WRITE_CIPHER or TTLS_SEND_SESSION_TICKET.
2	EAI_AGAIN	FREEADDRINFO GETADDRINFO GETNAMEINFO	For GETADDRINFO, NODE could not be resolved within the configured time interval. For GETNAMEINFO, HOST could not be resolved within the configured time interval. The Resolver address space has not been started. The request can be retried later.	Ensure the Resolver is active, then retry the request.
2	ENOENT	All	The data set or directory was not found.	Check files used by the function call.
2	ERANGE	All	The result is too large.	Check parameter values of the function call.

Table 25. Sockets ERRNOs (continued)

Error number	Message name	Socket API type	Error description	Programmer's response
3	EAI_FAIL	FREEADDRINFO GETADDRINFO GETNAMEINFO	This is an unrecoverable error. NODELEN, HOSTLEN, or SERVLN is incorrect. For FREEADDRINFO, the resolver storage does not exist.	Correct the NODELEN, HOSTLEN, or SERVLN. Otherwise, call your system administrator.
3	ESRCH	All	The process was not found. A table entry was not located.	Check parameter values and structures pointed to by the function parameters.
4	EAI_OVERFLOW	GETNAMEINFO	The output buffer for the host name or service name was too small.	Increase the size of the buffer to 255 characters, which is the maximum size permitted.
4	EINTR	All	A system call was interrupted.	Check that the socket connection and TCP/IP are still active.
5	EAI_FAMILY	GETADDRINFO GETNAMEINFO	The AF or the FAMILY is incorrect.	Correct the AF or the FAMILY.
5	EIO	All	An I/O error occurred.	Check status and contents of source database if this occurred during a file access.
6	EAI_MEMORY	GETADDRINFO GETNAMEINFO	The resolver cannot obtain storage to process the host name.	Contact your system administrator.
6	ENXIO	All	The device or driver was not found.	Check status of the device attempting to access.
7	E2BIG	All	The argument list is too long.	Check the number of function parameters.
7	EAI_BADFLAGS	GETADDRINFO GETNAMEINFO	FLAGS has an incorrect value.	Correct the FLAGS.
8	EAI_SERVICE	GETADDRINFO	The SERVICE was not recognized for the specified socket type.	Correct the SERVICE.
8	ENOEXEC	All	An EXEC format error occurred.	Check that the target module on an exec call is a valid executable module.
9	EAI_SOCKTYPE	GETADDRINFO	The SOCKTYPE was not recognized.	Correct the SOCKTYPE.
9	EBADF	All	An incorrect socket descriptor was specified.	Check socket descriptor value. It might be currently not in use or incorrect.
9	EBADF	Givesocket	The socket has already been given. The socket domain is not AF_INET or AF_INET6.	Check the validity of function parameters.
9	EBADF	Select	One of the specified descriptor sets is an incorrect socket descriptor.	Check the validity of function parameters.
9	EBADF	Takesocket	The socket has already been taken.	Check the validity of function parameters.
9	EAI_SOCKTYPE	GETADDRINFO	The SOCKTYPE was not recognized.	Correct the SOCKTYPE.
10	ECHILD	All	There are no children.	Check if created subtasks still exist.
11	EAGAIN	All	There are no more processes.	Retry the operation. Data or condition might not be available at this time.
11	EAGAIN	All	TCP/IP is not active at the time of the request.	Start TCP/IP, and retry the request.
11	EAGAIN	IOCTL (SIOCGPARTNERINFO)	The IOCTL was issued in no-suspend mode and the SIOCGPARTNERINFO IOCTL has not been issued.	Reissue the IOCTL with a timeout value to set the amount of time to wait while the partner security credentials are being retrieved. Restriction: You cannot use a select mask to determine when an IOCTL is complete, because an IOCTL is not affected by whether the socket is running in blocking or nonblocking mode. If the IOCTL times out, reissue the IOCTL to retrieve the partner security credentials.
12	ENOMEM	All	There is not enough storage.	Check the validity of function parameters.
13	EACCES	All	Permission denied, caller not authorized.	Check access authority of file.
13	EACCES	IOCTL (SIOCGPARTNERINFO)	The application is not running in supervisor state, is not APF authorized, or is not permitted to the appropriate SERVAUTH profile.	Allow the application to issue this IOCTL, or provide the user ID with the proper SERVAUTH permission.

Table 25. Sockets ERRNOs (continued)

Error number	Message name	Socket API type	Error description	Programmer's response
13	EACCES	IOCTL (SIOCTLSCTL)	The IOCTL is requesting a function that requires that the socket be mapped to policy that specifies ApplicationControlled On.	Check policy and add ApplicationControlled On if the application should be permitted to issue the controlled SIOCTLSCTL functions.
13	EACCES	Takesocket	The other application (listener) did not give the socket to your application. Permission denied, caller not authorized.	Check access authority of file.
14	EFAULT	All	An incorrect storage address or length was specified.	Check the validity of function parameters.
14	EFAULT	All EZASMI macros when using an asynchronous exit routine.	The exit routine has abnormally ended (ABEND condition).	Correct the error in the routine's code. Add an ESTAE routine to the exit.
14	EFAULT	IOCTL (SIOCSAPPLDATA)	An abend occurred while attempting to copy the SetADcontainer structure from the address provided in the SetAD_ptr field.	Check the validity of function parameters.
15	ENOTBLK	All	A block device is required.	Check device status and characteristics.
16	EBUSY	All	Listen has already been called for this socket. Device or file to be accessed is busy.	Check if the device or file is in use.
17	EEXIST	All	The data set exists.	Remove or rename existing file.
18	EXDEV	All	This is a cross-device link. A link to a file on another file system was attempted.	Check file permissions.
19	ENODEV	All	The specified device does not exist.	Check file name and if it exists.
20	ENODIR	All	The specified directory is not a directory.	Use a valid file that is a directory.
21	EISDIR	All	The specified directory is a directory.	Use a valid file that is not a directory.
22	EINVAL	All types	An incorrect argument was specified.	Check the validity of function parameters.
22	EINVAL	Multicast Source filter APIs	Mix of any-source, source-specific or full-state APIs	Specify the correct type of APIs.
22	EINVAL	MCAST_JOIN_GROUP, MCAST_JOIN_SOURCE_GROUP, MCAST_BLOCK_SOURCE, MCAST_LEAVE_GROUP, MCAST_LEAVE_SOURCE_GROUP, MCAST_UNBLOCK_SOURCE, SIOCGMSFILTER, SIOCSMSFILTER	The socket address family or the socket length of the input multicast group or the source IP address is not correct.	Specify the correct value.
22	EINVAL	SIOCSMSFILTER, SIOCSIPMSFILTER	The specified filter mode is not correct.	Specify the correct value.
23	ENFILE	All	Data set table overflow occurred.	Reduce the number of open files.
24	EMFILE	All	The socket descriptor table is full.	Check the maximum sockets specified in MAXDESC().
25	ENOTTY	All	An incorrect device call was specified.	Check specified IOCTL() values.
26	ETXTBSY	All	A text data set is busy.	Check the current use of the file.
27	EFBIG	All	The specified data set is too large.	Check size of accessed dataset.
28	ENOSPC	All	There is no space left on the device.	Increase the size of accessed file.
29	ESPIPE	All	An incorrect seek was attempted.	Check the offset parameter for seek operation.
30	EROFS	All	The data set system is Read only.	Access data set for read only operation.
31	EMLINK	All	There are too many links.	Reduce the number of links to the accessed file.
32	EPIPE	All	The connection is broken. For socket write/send, peer has shut down one or both directions.	Reconnect with the peer.
32	EPIPE	IOCTL (SIOCTLSCTL requesting TTLS_INIT_CONNECTION, TTLS_RESET_CIPHER, TTLS_RESET_WRITE_CIPHER, TTLS_SEND_SESSION_TICKET or TTLS_STOP_CONNECTION)	The TCP connection is not in the established state.	Issue the SIOCTLSCTL IOCTL when the socket is connected.
33	EDOM	All	The specified argument is too large.	Check and correct function parameters.
34	ERANGE	All	The result is too large.	Check function parameter values.

Table 25. Sockets ERRNOs (continued)

Error number	Message name	Socket API type	Error description	Programmer's response
35	EWOULDBLOCK	Accept	The socket is in nonblocking mode and connections are not queued. This is not an error condition.	Reissue Accept().
35	EWOULDBLOCK	IOCTL (SIOCTLSCTL)	The handshake is in progress and the socket is a nonblocking socket.	For a nonblocking socket, you can wait for the handshake to complete by issuing Select or Poll for Socket Writable.
35	EWOULDBLOCK	Read Recvfrom	The socket is in nonblocking mode and read data is not available. This is not an error condition.	Issue a select on the socket to determine when data is available to be read or reissue the Read()/Recvfrom().
35	EWOULDBLOCK	All receive calls (RECV, RECVMSG, RECVFROM, READV, READ), when the socket is set with the SO_RCVTIMEO socket option	The socket is in blocking mode and the receive call has blocked for the time period that was specified in the SO_RCVTIMEO option. No data was received.	The application should reissue the receive call.
35	EWOULDBLOCK	Send Sendto Write	The socket is in nonblocking mode and buffers are not available.	Issue a select on the socket to determine when data is available to be written or reissue the Send(), Sendto(), or Write().
35	EWOULDBLOCK	All send calls (SEND, SENDMSG, SENDTO, WRITEV, WRITE), when the socket is set with the SO_SNDTIMEO socket option	The socket is in blocking mode and the send call has blocked for the time period that was specified in the SO_SNDTIMEO option. No data was sent.	The application should reissue the send call.
36	EINPROGRESS	Connect	The socket is marked nonblocking and the connection cannot be completed immediately. This is not an error condition.	See the Connect() description for possible responses.
36	EINPROGRESS	IOCTL (SIOCGPARTNERINFO)	The IOCTL was issued in no-suspend mode after the SIOCSPARTNERINFO IOCTL was issued, but the partner security credentials are not currently available.	Retry the IOCTL, or issue the IOCTL with a timeout value to set the amount of time to wait while the partner security credentials are being retrieved. Restriction: You cannot use a select mask to determine when an IOCTL is complete, because an IOCTL is not affected by whether the socket is running in blocking or nonblocking mode. If the IOCTL times out, reissue the IOCTL to retrieve the partner security credentials.
36	EINPROGRESS	IOCTL (SIOCTLSCTL requesting TTLS_INIT_CONNECTION or TTLS_STOP_CONNECTION)	The handshake is already in progress and the socket is a nonblocking socket.	For a nonblocking socket, you can wait for the handshake to complete by issuing Select or Poll for Socket Writable.
37	EALREADY	Connect	The socket is marked nonblocking and the previous connection has not been completed.	Reissue Connect().
37	EALREADY	IOCTL (SIOCGPARTNERINFO)	The request is already in progress. Only one IOCTL can be outstanding.	Check and modify the socket descriptor, if specified; otherwise, no action is needed.
37	EALREADY	IOCTL (SIOCTLSCTL requesting TTLS_INIT_CONNECTION or TTLS_STOP_CONNECTION)	For TTLS_INIT_CONNECTION, the socket is already secure. For TTLS_STOP_CONNECTION, the socket is not secure.	Modify the application so that it issues the SIOCTLSCTL IOCTL that requests TTLS_INIT_CONNECTION only when the socket is not already secure and that requests TTLS_STOP_CONNECTION only when the socket is secure.
37	EALREADY	Maxdesc	A socket has already been created calling Maxdesc() or multiple calls to Maxdesc().	Issue Getablesize() to query it.
37	EALREADY	Setibmopt	A connection already exists to a TCP/IP image. A call to SETIBMOPT (IBMTCP_IMAGE), has already been made.	Call Setibmopt() only once.
38	ENOTSOCK	All	A socket operation was requested on a nonsocket connection. The value for socket descriptor was not valid.	Correct the socket descriptor value and reissue the function call.
39	EDESTADDRREQ	All	A destination address is required.	Fill in the destination field in the correct parameter and reissue the function call.
40	EMSGSIZE	Sendto Sendmsg Send Write for Datagram (UDP) or RAW sockets	The message is too long. It exceeds the IP limit of 64K or the limit set by the setsockopt() call.	Either correct the length parameter, or send the message in smaller pieces.

Table 25. Sockets ERRNOs (continued)

Error number	Message name	Socket API type	Error description	Programmer's response
41	EPROTOTYPE	All	The specified protocol type is incorrect for this socket.	Correct the protocol type parameter.
41	EPROTOTYPE	bind2addrsl	The referenced socket is not a stream (TCP) or datagram (UDP) socket.	Issue bind2addrsl() on TCP or UDP sockets only.
41	EPROTOTYPE	IOCTL (SIOCGPARTNERINFO, SIOCSAPPLDATA, SIOCSPARTNERINFO, SIOCTLSCTL)	Socket is not a TCP socket.	Issue the IOCTL on TCP sockets only.
42	ENOPROTOOPT	Getsockopt Setssockopt	The socket option specified is incorrect or the level is not SOL_SOCKET. Either the level or the specified optname is not supported.	Correct the level or optname.
42	ENOPROTOOPT	Getibmssockopt Setibmssockopt	Either the level or the specified optname is not supported.	Correct the level or optname.
43	EPROTONOSUPPORT	Socket	The specified protocol is not supported.	Correct the protocol parameter.
44	ESOCKTNOSUPPORT	All	The specified socket type is not supported.	Correct the socket type parameter.
45	EOPNOTSUPP	Accept Givesocket	The selected socket is not a stream socket.	Use a valid socket.
45	EOPNOTSUPP	bind2addrsl	The referenced socket is not a type that supports the requested function	Use a socket of the correct type.
45	EOPNOTSUPP	Getibmopt Setibmopt	The socket does not support this function call. This command is not supported for this function.	Correct the command parameter. See Getibmopt() for valid commands. Correct by ensuring a Listen() was not issued before the Connect().
45	EOPNOTSUPP	GETSOCKOPT	The specified GETSOCKOPT OPTNAME option is not supported by this socket API.	Correct the GETSOCKOPT OPTNAME option.
45	EOPNOTSUPP	IOCTL	The specified IOCTL command is not supported by this socket API.	Correct the IOCTL COMMAND.
45	EOPNOTSUPP	IOCTL (SIOCSPARTNERINFO)	The request must be issued before the listen call or the connect call.	Check and modify the socket descriptor, or close the connection and reissue the call.
45	EOPNOTSUPP	IOCTL (SIOCTLSCTL requesting TTLS_INIT_CONNECTION, TTLS_RESET_SESSION, TTLS_RESET_CIPHER, TTLS_RESET_WRITE_CIPHER, TTLS_SEND_SESSION_TICKET, or TTLS_STOP_CONNECTION)	Mapped policy indicates that AT-TLS is not enabled for the connection.	Modify the policy to enable AT-TLS for the connection.
45	EOPNOTSUPP	Listen	The socket does not support the Listen call.	Change the type on the Socket() call when the socket was created. Listen() supports only a socket type of SOCK_STREAM.
45	EOPNOTSUPP	RECV, RECVFROM, RECVMSG, SEND, SENDTO, SENDMSG	The specified flags are not supported on this socket type or protocol.	Correct the FLAG.
46	EPFNOSUPPORT	All	The specified protocol family is not supported or the specified domain for the client identifier is not AF_INET=2.	Correct the protocol family.
47	EAFNOSUPPORT	bind2addrsl inet6_is_srcaddr	You specified an IP address that is not an AF_INET6 IP address	Correct the IP address. If the IP address is an IPv4 address, you must specify it as an IPv4-mapped IPv6 address.
47	EAFNOSUPPORT	bind2addrsl inet6_is_srcaddr	You attempted an IPv6-only API for a stack that does not support the AF_INET6 domain.	Activate the AF_INET6 stack, and retry the request.
47	EAFNOSUPPORT	Bind Connect Socket	The specified address family is not supported by this protocol family.	For Socket(), set the domain parameter to AF_INET. For Bind() and Connect(), set Sin_Family in the socket address structure to AF_INET.
47	EAFNOSUPPORT	Getclient Givesocket	The socket specified by the socket descriptor parameter was not created in the AF_INET domain.	The Socket() call used to create the socket should be changed to use AF_INET for the domain parameter.
47	EAFNOSUPPORT	IOCTL	You attempted to use an IPv4-only ioctl on an AF_INET6 socket.	Use the correct socket type for the ioctl or use an ioctl that supports AF_INET6 sockets.

Table 25. Sockets ERRNOs (continued)

Error number	Message name	Socket API type	Error description	Programmer's response
48	EADDRINUSE	Bind, Connect	The address is in a timed wait because a LINGER delay from a previous close or another process is using the address. This error can also occur if the port specified in the bind call has been configured as RESERVED on a port reservation statement in the TCP/IP profile.	To reuse the same address, use Setsockopt() with SO_REUSEADDR. See the section about Setsockopt() in z/OS Communications Server: IP Sockets Application Programming Interface Guide and Reference for more information. Otherwise, use a different address or port in the socket address structure.
48	EADDRINUSE	IP_ADD_MEMBERSHIP, IP_ADD_SOURCE_MEMBERSHIP, IPV6_JOIN_GROUP, MCAST_JOIN_GROUP, MCAST_JOIN_SOURCE_GROUP	The specified multicast address and interface address (or interface index) pair is already in use.	Correct the specified multicast address, interface address, or interface index.
49	EADDRNOTAVAIL	Bind	The specified address is incorrect for this host.	Correct the function address parameter.
49	EADDRNOTAVAIL	Connect	The calling host cannot reach the specified destination.	Correct the function address parameter.
49	EADDRNOTAVAIL	bind2addrsl	For the specified destination address, there is no source address that the application can bind to. Possible reasons can be one of the following situations: <ul style="list-style-type: none"> The socket is a stream socket, but the specified destination address is a multicast address. No ephemeral ports are available to assign to the socket. 	Correct the function address parameter or issue the request when ephemeral ports are available.
49	EADDRNOTAVAIL	inet6_is_srcaddr	The address specified is not correct for one of these reasons: <ul style="list-style-type: none"> The address is not an address on this node. The address was not active at the time of the request. The scope ID specified for a link-local IPV6 address is incorrect. 	Correct or activate the address
49	EADDRNOTAVAIL	IP_BLOCK_SOURCE, IP_ADD_SOURCE_MEMBERSHIP, MCAST_BLOCK_SOURCE, MCAST_JOIN_SOURCE_GROUP	A duplicate source IP address is specified on the multicast group and interface pair.	Correct the specified source IP address.
49	EADDRNOTAVAIL	IP_UNBLOCK_SOURCE, IP_DROP_SOURCE_MEMBERSHIP, MCAST_UNBLOCK_SOURCE, MCAST_LEAVE_SOURCE_GROUP	A previously blocked source multicast group cannot be found.	Correct the specified address.
49	EADDRNOTAVAIL	Multicast APIs	The specified multicast address, interface address, or interface index is not correct.	Correct the specified address.
50	ENETDOWN	All	The network is down.	Retry when the connection path is up.
51	ENETUNREACH	Connect	The network cannot be reached.	Ensure that the target application is active.
52	ENETRESET	All	The network dropped a connection on a reset.	Reestablish the connection between the applications.
53	ECONNABORTED	All	The software caused a connection abend.	Reestablish the connection between the applications.
54	ECONNRESET	All	The connection to the destination host is not available.	N/A
54	ECONNRESET	Send Write	The connection to the destination host is not available.	The socket is closing. Issue Send() or Write() before closing the socket.
55	ENOBUFS	All	No buffer space is available.	Check the application for massive storage allocation call.
55	ENOBUFS	Accept	Not enough buffer space is available to create the new socket.	Call your system administrator.
55	ENOBUFS	IOCTL (SIOCGPARTNERINFO)	The buffer size provided is too small.	Create a larger input buffer based on the value returned in the PI_Buflen field.
55	ENOBUFS	IOCTL (SIOCSAPPLDATA)	There is no storage available to store the associated data.	Call your system administrator.
55	ENOBUFS	IOCTL (SIOCTLSCTL TTLS_Version1 requesting TTLS_RETURN_CERTIFICATE or TTLS_Version2 query)	The buffer size provided is too small.	For TTLS_Version1 use the returned certificate length to allocate a larger buffer and reissue IOCTL with the larger buffer.

Table 25. Sockets ERRNOs (continued)

Error number	Message name	Socket API type	Error description	Programmer's response
55	ENOBUFS	IP_BLOCK_SOURCE, IP_ADD_SOURCE_MEMBERSHIP, MCAST_BLOCK_SOURCE, MCAST_JOIN_SOURCE_GROUP, SIOCSIPMSFILTER, SIOCSMSFILTER, setipv4sourcefilter, setsourcefilter	A maximum of 64 source filters can be specified per multicast address, interface address pair.	Remove unneeded source IP addresses and reissue the command.
55	ENOBUFS	Send Sendto Write	Not enough buffer space is available to send the new message.	Call your system administrator.
55	ENOBUFS	Takesocket	Not enough buffer space is available to create the new socket.	Call your system administrator.
56	EISCONN	Connect	The socket is already connected.	Correct the socket descriptor on Connect() or do not issue a Connect() twice for the socket.
57	ENOTCONN	All	The socket is not connected.	Connect the socket before communicating.
57	ENOTCONN	IOCTL (SIOCGPARTNERINFO)	The requested socket is not connected.	Check and modify the socket descriptor, or reissue the IOCTL after the connect call from the client side or after the accept call from the server side.
57	ENOTCONN	IOCTL (SIOCTTLISCTL)	The socket is not connected.	Issue the SIOCTTLISCTL IOCTL only after the socket is connected.
58	ESHUTDOWN	All	A Send cannot be processed after socket shutdown.	Issue read/receive before shutting down the read side of the socket.
59	ETOOMANYREFS	All	There are too many references. A splice cannot be completed.	Call your system administrator.
59	ETOOMANYREFS	IP_ADD_MEMBERSHIP, IP_ADD_SOURCE_MEMBERSHIP, MCAST_JOIN_GROUP, MCAST_JOIN_SOURCE_GROUP, IPV6_JOIN_GROUP	A maximum of 20 multicast groups per single UDP socket or a maximum of 256 multicast groups per single RAW socket can be specified.	Remove unneeded multicast groups and reissue the command.
60	ETIMEDOUT	Connect	The connection timed out before it was completed.	Ensure the server application is available.
61	ECONNREFUSED	Connect	The requested connection was refused.	Ensure server application is available and at specified port.
62	ELOOP	All	There are too many symbolic loop levels.	Reduce symbolic links to specified file.
63	ENAMETOOLONG	All	The file name is too long.	Reduce size of specified file name.
64	EHOSTDOWN	All	The host is down.	Restart specified host.
65	EHOSTUNREACH	All	There is no route to the host.	Set up network path to specified host and verify that host name is valid.
66	ENOTEMPTY	All	The directory is not empty.	Clear out specified directory and reissue call.
67	EPROCLIM	All	There are too many processes in the system.	Decrease the number of processes or increase the process limit.
68	EUSERS	All	There are too many users on the system.	Decrease the number of users or increase the user limit.
69	EDQUOT	All	The disk quota has been exceeded.	Call your system administrator.
70	ESTALE	All	An old NFS** data set handle was found.	Call your system administrator.
71	EREMOTE	All	There are too many levels of remote in the path.	Call your system administrator.
72	ENOSTR	All	The device is not a stream device.	Call your system administrator.
73	ETIME	All	The timer has expired.	Increase timer values or reissue function.
73	ETIME	IOCTL (SIOCGPARTNERINFO)	The wait time for the request has expired, possibly as the result of network problems.	Retry the request. Restriction: You cannot use a select mask to determine when an IOCTL is complete, because an IOCTL is not affected by whether the socket is running in blocking or nonblocking mode. If the IOCTL times out, reissue the IOCTL to retrieve the partner security credentials.
74	ENOSR	All	There are no more stream resources.	Call your system administrator.

Table 25. Sockets ERRNOs (continued)

Error number	Message name	Socket API type	Error description	Programmer's response
75	ENOMSG	All	There is no message of the desired type.	Call your system administrator.
76	EBADMSG	All	The system cannot read the message.	Verify that z/OS Communications Server installation was successful and that message files were properly loaded.
77	EIDRM	All	The identifier has been removed.	Call your system administrator.
78	EDEADLK	All	A deadlock condition has occurred.	Call your system administrator.
78	EDEADLK	Select Selectex	None of the sockets in the socket descriptor sets are either AF_INET or AF_IUCV sockets and there is no timeout value or no ECB specified. The select/selectex would never complete.	Correct the socket descriptor sets so that an AF_INET or AF_IUCV socket is specified. A timeout or ECB value can also be added to avoid the select/selectex from waiting indefinitely.
79	ENOLCK	All	No record locks are available.	Call your system administrator.
80	ENONET	All	The requested machine is not on the network.	Call your system administrator.
81	ERREMOTE	All	The object is remote.	Call your system administrator.
82	ENOLINK	All	The link has been severed.	Release the sockets and reinitialize the client-server connection.
83	EADV	All	An ADVERTISE error has occurred.	Call your system administrator.
84	ESRMNT	All	An SRMOUNT error has occurred.	Call your system administrator.
85	ECOMM	All	A communication error has occurred on a Send call.	Call your system administrator.
86	EPROTO	All	A protocol error has occurred.	Call your system administrator.
86	EPROTO	IOCTL (SIOCTLSCTL requesting TTLS_RESET_SESSION, TTLS_RESET_CIPHER, TTLS_RESET_WRITE_CIPHER, TTLS_SEND_SESSION_TICKET, TTLS_STOP_CONNECTION, or TTLS_ALLOW_HSTIMEOUT)	One of the following errors occurred: <ul style="list-style-type: none"> A TTLS_INIT_CONNECTION request was not received for the connection. TTLS_STOP_CONNECTION was requested on a connection that has outstanding application data. For unread application data, the errno junior is JrTTLSStopReadDataPending. For unwritten application data, the errno junior is JrTTLSStopWriteDataPending. TTLS_RESET_CIPHER or TTLS_STOP_CIPHER was requested on a connection that is secured using SSL version 2. TTLS_RESET_WRITE_CIPHER or TTLS_SEND_SESSION_TICKET was requested on a connection that is secured using a protocol version less than TLS version 1.3. TTLS_ALLOW_HSTIMEOUT was requested but the policy has the HandshakeRole value client or the HandshakeTimeout value is 0. TTLS_SEND_SESSION_TICKET was requested but the policy has the HandshakeRole value client or GSK_SESSION_TICKET_SERVER_ENABLE value Off or the GSK_SESSION_TICKET_SERVER_COUNT value is not 0. 	<ul style="list-style-type: none"> Request TTLS_INIT_CONNECTION before requesting TTLS_RESET_SESSION, TTLS_RESET_CIPHER, TTLS_RESET_WRITE_CIPHER, TTLS_SEND_SESSION_TICKET, or TTLS_STOP_CONNECTION. Request TTLS_STOP_CONNECTION after all application data is cleared from the connection. For JrTTLSStopReadDataPending, read all available application data. For JrTTLSStopWriteDataPending, wait for all the outstanding application data to be written. Request TTLS_RESET_CIPHER or TTLS_STOP_CONNECTION only on connections secured using SSL version 3 or TLS version 1.0 or higher. Request TTLS_RESET_WRITE_CIPHER or TTLS_SEND_SESSION_TICKET only on connections secured using TLS version 1.3 or higher. Request TTLS_ALLOW_HSTIMEOUT only when the security type is TTLS_SEC_SERVER or higher and the HandshakeTimeout value is not 0. Request TTLS_SEND_SESSION_TICKET only when the security type is TTLS_SEC_SERVER or higher and when GSK_SESSION_TICKET_SERVER_ENABLE is On and GSK_SESSION_TICKET_SERVER_COUNT is 0.
87	EMULTIHOP	All	A multi-hop address link was attempted.	Call your system administrator.
88	EDOTDOT	All	A cross-mount point was detected. This is not an error.	Call your system administrator.
89	EREMCHG	All	The remote address has changed.	Call your system administrator.
90	ECONNCLOSED	All	The connection was closed by a peer.	Check that the peer is running.

Table 25. Sockets ERRNOs (continued)

Error number	Message name	Socket API type	Error description	Programmer's response
113	EBADF	All	Socket descriptor is not in correct range. The maximum number of socket descriptors is set by MAXDESC(). The default range is 0–49.	Reissue function with corrected socket descriptor.
113	EBADF	Bind socket	The socket descriptor is already being used.	Correct the socket descriptor.
113	EBADF	Givesocket	The socket has already been given. The socket domain is not AF_INET.	Correct the socket descriptor.
113	EBADF	Select	One of the specified descriptor sets is an incorrect socket descriptor.	Correct the socket descriptor. Set on Select() or Selectex().
113	EBADF	Takesocket	The socket has already been taken.	Correct the socket descriptor.
113	EBADF	Accept	A Listen() has not been issued before the Accept().	Issue Listen() before Accept().
121	EINVAL	All	An incorrect argument was specified.	Check and correct all function parameters.
121	EINVAL	IOCTL (SIOCSAPPLDATA)	The input parameter is not a correctly formatted SetAppData structure. <ul style="list-style-type: none"> The SetAD_eye1 value is not valid. The SetAD_ver value is not valid. The storage pointed to by SetAD_ptr does not contain a correctly formatted SetADcontainer structure. The SetAD_eye2 value is not valid. The SetAD_len value contains an incorrect length for the SetAD_ver version of the SetADcontainer structure. 	Check and correct all function parameters.
121	EINVAL	inet6_is_srcaddr	<ul style="list-style-type: none"> One or more invalid IPV6_ADDR_PREFERENCES flags were specified A scope ID was omitted for a link local IP address A scope ID was specified for an IP address that is not link-local The socket address length was not valid 	Correct the function parameters
122	ECLOSED			
126	ENMELONG			
134	ENOSYS	IOCTL	The function is not implemented	Either configure the system to support the ioctl command or remove the ioctl command from your program.
134	ENOSYS	IOCTL - siocgifnameindex	The TCP/IP stack processing the siocgifnameindex IOCTL is configured as a pure IPv4 TCP/IP stack. Additionally, UNIX System Services is configured to process as INET.	Either configure the system to support the ioctl command or remove the ioctl command from your program.
136	ENOTEMPT			
145	E2BIG	All	The argument list is too long.	Eliminate excessive number of arguments.
156	EMVSNINITIAL	All	Process initialization error. This indicates an z/OS UNIX process initialization failure. This is usually an indication that a proper OMVS RACF segment is not defined for the user ID associated with application. The RACF OMVS segment might not be defined or might contain errors such as an improper HOME() directory specification.	Attempt to initialize again. After ensuring that an OMVS Segment is defined, if the errno is still returned, call your MVS system programmer to have IBM service contacted.
157	EMISSED			
157	EMVSERR		An MVS environmental or internal error occurred.	

Table 25. Sockets ERRNOs (continued)

Error number	Message name	Socket API type	Error description	Programmer's response
1002	EIBMSOCKOUTOFRANGE	Socket, Accept, Takesocket	A new socket cannot be created because the MAXSOC value, which is specified on the INITAPI call, has been reached.	Take either one of the following actions: <ul style="list-style-type: none"> Verify whether all open sockets are intended to be in use. Increase the MAXSOC value to a value that is appropriate for the current workload. If the default value is currently being used, you might be required to add the INITAPI call.
1003	EIBMSOCKINUSE	Socket	A socket number assigned by the client interface code is already in use.	Use a different socket descriptor.
1004	EIBMIUCVERR	All	The request failed because of an IUCV error. This error is generated by the client stub code.	Ensure IUCV/VMCF is functional.
1008	EIBMCONFLICT	All	This request conflicts with a request already queued on the same socket.	Cancel the existing call or wait for its completion before reissuing this call.
1009	EIBMCANCELLED	All	The request was canceled by the CANCEL call.	Informational, no action needed.
1011	EIBMADTCPNAME	All	A TCP/IP name that is not valid was detected.	Correct the name specified in the IBM_TCPIIMAGE structure.
1011	EIBMADTCPNAME	Setibmopt	A TCP/IP name that is not valid was detected.	Correct the name specified in the IBM_TCPIIMAGE structure.
1011	EIBMADTCPNAME	INITAPI	A TCP/IP name that is not valid was detected.	Correct the name specified on the IDENT option TCPNAME field.
1012	EIBMADREQUESTCODE	All	A request code that is not valid was detected.	Contact your system administrator.
1013	EIBMADCONNECTIONSTATE	All	A connection token that is not valid was detected; bad state.	Verify TCP/IP is active.
1014	EIBMUNAUTHORIZEDCALLER	All	An unauthorized caller specified an authorized keyword.	Ensure user ID has authority for the specified operation.
1015	EIBMADCONNECTIONMATCH	All	A connection token that is not valid was detected. There is no such connection.	Verify TCP/IP is active.
1016	EIBMTCPABEND	All	An abend occurred when TCP/IP was processing this request.	Verify that TCP/IP has restarted.
1023	EIBMTERMERROR	All	Encountered a terminating error while processing.	Call your system administrator.
1026	EIBMINVDELETE	All	Delete requestor did not create the connection.	Delete the request from the process that created it.
1027	EIBMINVSOCKET	All	A connection token that is not valid was detected. No such socket exists.	Call your system programmer.
1028	EIBMINTVPCONNECTION	All	Connection terminated by TCP/IP. The token was invalidated by TCP/IP.	Reestablish the connection to TCP/IP.
1032	EIBMCALLINPROGRESS	All	Another call was already in progress.	Reissue after previous call has completed.
1036	EIBMNOACTIVETCP	All	TCP/IP is not installed or not active.	Correct TCP/IP name used.
1036	EIBMNOACTIVETCP	Select	EIBMNOACTIVETCP	Ensure TCP/IP is active.
1036	EIBMNOACTIVETCP	Getibmopt	No TCP/IP image was found.	Ensure TCP/IP is active.
1037	EIBMINTSRBUSERDATA	All	The request control block contained data that is not valid.	Call your system programmer.
1038	EIBMINTVUSERDATA	All	The request control block contained user data that is not valid.	Check your function parameters and call your system programmer.
1040	EIBMSELECTEXPOST	SELECTEX	SELECTEX passed an ECB that was already posted.	Check whether the user's ECB was already posted.
1112	ECANCEL			
1162	ENOPARTNERINFO	IOCTL (STOCPARTNERINFO)	The partner resides in a TCP/IP stack running a release that is earlier than V1R12, or the partner is not in the same sysplex.	Ensure that both endpoints reside in TCP/IP stacks that are running V1R12 or any later release, or check and modify the socket descriptor. If the partner is not in the same sysplex, security credentials will not be returned.
2001	EINVALIDRXSOCKETCALL	REXX	A syntax error occurred in the RXSOCKET parameter list.	Correct the parameter list passed to the REXX socket call.

Table 25. Sockets ERRNOs (continued)

Error number	Message name	Socket API type	Error description	Programmer's response
2002	ECONSOLEINTERRUPT	REXX	A console interrupt occurred.	Retry the task.
2003	ESUBTASKINVALID	REXX	The subtask ID is incorrect.	Correct the subtask ID on the INITIALIZE call.
2004	ESUBTASKALREADYACTIVE	REXX	The subtask is already active.	Issue the INITIALIZE call only once in your program.
2005	ESUBTASKNOTACTIVE	REXX	The subtask is not active.	Issue the INITIALIZE call before any other socket call.
2006	ESOCKETNOTALLOCATED	REXX	The specified socket or needed control block could not be allocated.	Increase the user storage allocation for this job.
2007	EMAXSOCKETSREACHED	REXX	The maximum number of sockets has been reached.	Increase the number of allocated sockets, or decrease the number of sockets used by your program.
2009	ESOCKETNOTDEFINED	REXX	The socket is not defined.	Issue the SOCKET call before the call that fails.
2011	EDOMAINSERVERFAILURE	REXX	A Domain Name Server failure occurred.	Call your MVS system programmer.
2012	EINVALIDNAME	REXX	An incorrect <i>name</i> was received from the TCP/IP server.	Call your MVS system programmer.
2013	EINVALIDCLIENTID	REXX	An incorrect <i>clientid</i> was received from the TCP/IP server.	Call your MVS system programmer.
2014	ENIVALIDFILENAME	REXX	An error occurred during NUCEXT processing.	Specify the correct translation table file name, or verify that the translation table is valid.
2016	EHOSTNOTFOUND	REXX	The host is not found.	Call your MVS system programmer.
2017	EIPADDRNOTFOUND	REXX	Address not found.	Call your MVS system programmer.
2019	ENORECOVERY	REXX	A non-recoverable failure occurred during the Resolver's processing of the GETHOSTBYADDR or GETHOSTBYNAME call.	Contact the IBM support center.
2020	EINVALIDCOMBINATION	REXX	An invalid combination of IPV6_ADDR_PREFERENCES flags was received from the caller.	Correct the specified flags
2021	EOPTNAMEMISMATCH	REXX	The caller specified an OPTNAME that is invalid for the LEVEL that it specified.	Correct either the OPTNAME or the LEVEL.
2022	EFLAGSMISMATCH	REXX	The caller issued a GETADDRINFO with conflicting FLAGS and EFLAGS parameters: either AI_EXT_FLAGS was specified with a null EFLAGS, or AI_EXT_FLAGS was not specified but EFLAGS was not null.	Correct either the FLAGS parameter or the EFLAGS parameter. A non-null EFLAGS should be specified if and only if AI_EXT_FLAGS is specified in the FLAGS.
2051	EFORMATERROR	REXX	The name server was unable to interpret the query	Contact the IBM support center.
3412	ENODATA		Message does not exist.	
3416	ELINKED		Stream is linked.	
3419	ERECURSE		Recursive attempt rejected.	
3420	EASYNC		Asynchronous I/O scheduled. This is a normal, internal event that is NOT returned to the user.	
3448	EUNATCH		The protocol required to support the specified address family is not available.	
3464	ETERM		Operation terminated.	
3474	EUNKNOWN		Unknown system state.	
3495	EBADOBJ		You attempted to reference an object that does not exist.	
3513	EOUTOFSTATE		Protocol engine has received a command that is not acceptable in its current state.	

Sockets extended ERRNOs

Table 26. Sockets extended ERRNOs

Error code	Problem description	System action	Programmer's response
10100	An ESTAE macro did not complete normally.	End the call.	Call your MVS system programmer.
10101	A STORAGE OBTAIN failed.	End the call.	Increase MVS storage in the application's address space.
10108	The first call issued was not a valid first call.	End the call.	Almost all sockets programs that are written in COBOL, PL/I, or assembler language must issue the INITAPI call before they issue other sockets calls.
10110	LOAD of EZBSOH03 (alias EZASOH03) failed.	End the call.	Call the IBM Software Support Center.
10154	Errors were found in the parameter list for an IOCTL call.	Disable the subtask for interrupts. Return an error code to the caller.	Correct the IOCTL call. You might have incorrect sequencing of socket calls.
10155	The length parameter for an IOCTL call is less than or equal to 0.	Disable the subtask for interrupts. Return an error code to the caller.	Correct the IOCTL call. You might have incorrect sequencing of socket calls.
10156	The length parameter for an IOCTL call is 3200 (32 x 100).	Disable the subtask for interrupts. Return an error code to the caller.	Correct the IOCTL call. You might have incorrect sequencing of socket calls.
10159	A 0 or negative data length was specified for a READ or READV call.	Disable the subtask for interrupts. Return an error code to the caller.	Correct the length in the READ call.
10161	The REQARG parameter in the IOCTL parameter list is 0.	End the call.	Correct the program.
10163	A 0 or negative data length was found for a RECV, RECVFROM, or RECVMSG call.	Disable the subtask for interrupts. Sever the DLC path. Return an error code to the caller.	Correct the data length.
10167	The descriptor set size for a SELECT or SELECTEX call is less than or equal to 0.	Disable the subtask for interrupts. Return an error code to the caller.	Correct the SELECT or SELECTEX call. You might have incorrect sequencing of socket calls.

Table 26. Sockets extended ERRNOs (continued)

Error code	Problem description	System action	Programmer's response
10168	The descriptor set size <i>in bytes</i> for a SELECT or SELECTEX call is greater than 8192. A number greater than the maximum number of allowed sockets (65534 is the maximum) has been specified.	Disable the subtask for interrupts. Return an error code to the caller.	Correct the descriptor set size.
10170	A 0 or negative data length was found for a SEND or SENDMSG call.	Disable the subtask for interrupts. Return an error code to the caller.	Correct the data length in the SEND call.
10174	A 0 or negative data length was found for a SENDTO call.	Disable the subtask for interrupts. Return an error code to the caller.	Correct the data length in the SENDTO call.
10178	The SETSOCKOPT option length is less than the minimum length.	Disable the subtask for interrupts. Return an error code to the caller.	Correct the OPTLEN parameter.
10179	The SETSOCKOPT option length is greater than the maximum length.	Disable the subtask for interrupts. Return an error code to the caller.	Correct the OPTLEN parameter.
10184	A data length of 0 was specified for a WRITE call.	Disable the subtask for interrupts. Return an error code to the caller.	Correct the data length in the WRITE call.
10186	A negative data length was specified for a WRITE or WRITEV call.	Disable the subtask for interrupts. Return an error code to the caller.	Correct the data length in the WRITE call.
10190	The GETHOSTNAME option length is not in the range of 1–255.	Disable the subtask for interrupts. Return an error code to the caller.	Correct the length parameter.
10193	The SETSOCKOPT or GETSOCKOPT option length is shorter than the minimum length or longer than the maximum length.	End the call.	Correct the length parameter.
10197	The application issued an INITAPI call after the connection was already established.	Bypass the call.	Correct the logic that produces the INITAPI call that is not valid.

Table 26. Sockets extended ERRNOs (continued)

Error code	Problem description	System action	Programmer's response
10198	The maximum number of sockets specified for an INITAPI exceeds 65535.	Return to the user.	Correct the INITAPI call.
10200	The first call issued was not a valid first call.	End the call.	Almost all sockets programs that are written in COBOL, PL/I, or assembler language must issue the INITAPI call before they issue other sockets calls.
10202	The RETARG parameter in the IOCTL call is 0.	End the call.	Correct the parameter list. You might have incorrect sequencing of socket calls.
10203	The requested socket number is a negative value.	End the call.	Correct the requested socket number.
10205	The requested socket number is a duplicate.	End the call.	Correct the requested socket number.
10208	The NAMELEN parameter for a GETHOSTBYNAME call was not specified.	End the call.	Correct the NAMELEN parameter. You might have incorrect sequencing of socket calls.
10209	The NAME parameter on a GETHOSTBYNAME call was not specified.	End the call.	Correct the NAME parameter. You might have incorrect sequencing of socket calls.
10210	The HOSTENT parameter on a GETHOSTBYNAME or GETHOSTBYADDR call was not specified.	End the call.	Correct the HOSTENT parameter. You might have incorrect sequencing of socket calls.
10211	The HOSTADDR parameter on a GETHOSTBYNAME or GETHOSTBYADDR call is incorrect.	End the call.	Correct the HOSTADDR parameter. You might have incorrect sequencing of socket calls.
10212	The resolver program failed to load correctly for a GETHOSTBYNAME or GETHOSTBYADDR call.	End the call.	Check the JOBLIB, STEPLIB, and linklib datasets and rerun the program.
10213	Not enough storage is available to allocate the HOSTENT structure.	End the call.	Increase the user storage allocation for this job.
10214	The HOSTENT structure was not returned by the resolver program.	End the call.	Ensure that the domain name server is available. This can be a nonerror condition indicating that the name or address specified in a GETHOSTBYADDR or GETHOSTBYNAME call could not be matched.
10215	The APITYPE parameter on an INITAPI call instruction was not 2 or 3.	End the call.	Correct the APITYPE parameter.

Table 26. Sockets extended ERRNOs (continued)

Error code	Problem description	System action	Programmer's response
10218	The application programming interface (API) cannot locate the specified TCP/IP.	End the call.	Ensure that an API that supports the performance improvements related to CPU conservation is installed on the system and verify that a valid TCP/IP name was specified on the INITAPI call. This error call might also mean that EZASOKIN could not be loaded.
10219	The NS parameter is greater than the maximum socket for this connection.	End the call.	Correct the NS parameter on the ACCEPT, SOCKET or TAKESOCKET call.
10221	The AF parameter of a SOCKET call is not AF_INET.	End the call.	Set the AF parameter equal to AF_INET.
10222	The SOCTYPE parameter of a SOCKET call must be stream, datagram, or raw (1, 2, or 3).	End the call.	Correct the SOCTYPE parameter.
10223	No ASYNC parameter specified for INITAPI with APITYPE=3 call.	End the call.	Add the ASYNC parameter to the INITAPI call.
10224	The IOVCNT parameter is less than or equal to 0, for a READV, RECVMSG, SENDMSG, or WRITEV call.	End the call.	Correct the IOVCNT parameter.
10225	The IOVCNT parameter is greater than 120, for a READV, RECVMSG, SENDMSG, or WRITEV call.	End the call.	Correct the IOVCNT parameter.
10226	Not valid COMMAND parameter specified for a GETIBMOPT call.	End the call.	Correct the COMMAND parameter of the GETIBMOPT call.
10229	A call was issued on an APITYPE=3 connection without an ECB or REQAREA parameter.	End the call.	Add an ECB or REQAREA parameter to the call.
10300	Termination is in progress for either the CICS transaction or the socket interface.	End the call.	None.
10330	A SELECT call was issued without a MAXSOC value and a TIMEOUT parameter.	End the call.	Correct the call by adding a TIMEOUT parameter.
10331	A call that is not valid was issued while in SRB mode.	End the call.	Get out of SRB mode and reissue the call.
10332	A SELECT call is invoked with a MAXSOC value greater than that which was returned in the INITAPI function (MAXSNO field).	End the call.	Correct the MAXSOC parameter and reissue the call.

Table 26. Sockets extended ERRNOs (continued)

Error code	Problem description	System action	Programmer's response
10334	An error was detected in creating the data areas required to process the socket call.	End the call.	Call the IBM Software Support Center.
10335	An INITAPI or first call was issued by using a TIE that another task used.	End the call.	Change the application to allocate a new TIE or to ensure that a TERMAPI is done before the TIE is reused.
10999	An abend has occurred in the subtask.	Write message EZY1282E to the system console. End the subtask and post the TRUE ECB.	If the call is correct, call your system programmer.
20000	An unknown function code was found in the call.	End the call.	Correct the SOC-FUNCTION parameter.
20001	The call passed an incorrect number of parameters.	End the call.	Correct the parameter list.
20002	The user ID associated with the program linking EZACIC25 does not have the proper authority to execute a CICS EXTRACT EXIT.	End the call.	Start the CICS socket interface before executing this call.
20003	The CICS socket interface is not in operation.	End the call.	Contact the CICS system programmer. Ensure that the user ID being used is permitted to have at least UPDATE access to the EXITPROGRAM resource.
20004	The CICS socket TRUE failed to suspend the task.	End the call.	Call the IBM Software Support Center.
20005	The socket task was purged by CICS while the task was being suspended by the CICS socket TRUE.	End the call.	None.

Appendix C. GETSOCKOPT/SETSOCKOPT command values

You can use the following table to determine the decimal or hexadecimal value associated with the GETSOCKOPT/SETSOCKOPT OPTNAMES supported by the APIs discussed in this document.

The command names are shown with underscores for the assembler language. The underscores should be changed to dashes if using the COBOL programming language.

Languages that cannot easily handle binary values, such as COBOL, should use the decimal value associated with the command where necessary.

The hexadecimal value can be used in Macro, Assembler and PL/I programs.

Command name	Decimal value	Hex value
IP_ADD_MEMBERSHIP	1048581	X'00100005'
IP_ADD_SOURCE_MEMBERSHIP	1048588	X'0010000C'
IP_BLOCK_SOURCE	1048586	X'0010000A'
IP_DROP_MEMBERSHIP	1048582	X'00100006'
IP_DROP_SOURCE_MEMBERSHIP	1048589	X'0010000D'
IP_MULTICAST_IF	1048583	X'00100007'
IP_MULTICAST_LOOP	1048580	X'00100004'
IP_MULTICAST_TTL	1048579	X'00100003'
IP_UNBLOCK_SOURCE	1048587	X'0010000B'
IPV6_ADDR_PREFERENCES	65568	X'00010020'
IPV6_JOIN_GROUP	65541	X'00010005'
IPV6_LEAVE_GROUP	65542	X'00010006'
IPV6_MULTICAST_HOPS	65545	X'00010009'
IPV6_MULTICAST_IF	65543	X'00010007'
IPV6_MULTICAST_LOOP	65540	X'00010004'
IPV6_UNICAST_HOPS	65539	X'00010003'
IPV6_V6ONLY	65546	X'0001000A'
MCAST_BLOCK_SOURCE	1048620	X'0010002C'
MCAST_JOIN_GROUP	1048616	X'00100028'
MCAST_JOIN_SOURCE_GROUP	1048618	X'0010002A'
MCAST_LEAVE_GROUP	1048617	X'00100029'
MCAST_LEAVE_SOURCE_GROUP	1048619	X'0010002B'
MCAST_UNBLOCK_SOURCE	1048621	X'0010002D'
SO_BROADCAST	32	X'00000020'

Table 27. GETSOCKOPT/SETSOCKOPT command values for Macro, Assembler, COBOL and PL/I (continued)

Command name	Decimal value	Hex value
SO_ERROR	4103	X'00001007'
SO_LINGER	128	X'00000080'
SO_KEEPALIVE	8	X'00000008'
SO_OOINLINE	256	X'00000100'
SO_RCVBUF	4098	X'00001002'
SO_RCVTIMEO	4102	X'00001006'
SO_REUSEADDR	4	X'00000004'
SO_SNDBUF	4097	X'00001001'
SO_SNDTIMEO	4101	X'00001005'
SO_TYPE	4104	X'00001008 '
TCP_KEEPALIVE	2147483654	X'80000008 '
TCP_NODELAY	2147483649	X'80000001'

Table 28. GETSOCKOPT/SETSOCKOPT optname value for C programs

Option name	Decimal value
IP_ADD_MEMBERSHIP	5
IP_ADD_SOURCE_MEMBERSHIP	12
IP_BLOCK_SOURCE	10
IP_DROP_MEMBERSHIP	6
IP_DROP_SOURCE_MEMBERSHIP	13
IP_MULTICAST_IF	7
IP_MULTICAST_LOOP	4
IP_MULTICAST_TTL	3
IP_UNBLOCK_SOURCE	11
MCAST_BLOCK_SOURCE	44
MCAST_JOIN_GROUP	40
MCAST_JOIN_SOURCE_GROUP	42
MCAST_LEAVE_GROUP	41
MCAST_LEAVE_SOURCE_GROUP	43
MCAST_UNBLOCK_SOURCE	45
SO_ACCEPTCONN	2
SO_BROADCAST	32
SO_CLUSTERCONNTYPE	16385
SO_DEBUG	1

Table 28. GETSOCKOPT/SETSOCKOPT optname value for C programs (continued)

Option name	Decimal value
SO_ERROR	4103
SO_KEEPALIVE	8
SO_LINGER	128
SO_OOBINLINE	256
SO_RCVBUF	4098
SO_REUSEADDR	4
SO_SNDBUF	4097
SO_TYPE	4104
TCP_KEEPALIVE	8
TCP_NODELAY	1

Appendix D. CICS sockets messages

This topic contains CICS socket interface messages.

EZY1218–EZY1371

**EZY1218E: *mm/dd/yy hh:mm:ss* PROGRAM *programname* DISABLED
TRANID= *transactionid* PARTNER INET ADDR=*inetaddress* PORT=*portnumber***

Explanation

The Listener checked the status of the program associated with the transaction. It was not enabled.

mm/dd/yy is the date (month/day/year) of the message.

hh:mm:ss is the time (hours:minutes:seconds) of the message.

programname is the name of the program that is associated with the transaction requested by the connecting client.

transactionid is the name of the transaction that was requested by the connecting client.

inetaddress is the internet address of the connecting client.

portnumber is the connecting client's port number.

System action

Listener continues.

Operator response

Use CEMT to determine and correct the status of the program.

System programmer response

None.

Module

EZACIC02

Destination

LISTENER

**EZY1219E: *mm/dd/yy hh:mm:ss* UNEXPECTED *eventtype* EVENT IN
LISTENER *transactionid* FROM CLIENT IP ADDRESS *ipaddress* PORT
*portnumber***

Explanation

The CICS Listener was notified about an unexpected event.

mm/dd/yy is the date (month/day/year) of the message.

hh:mm:ss is the time (hours:minutes:seconds) of the message.

eventtype is the type of event: READ, WRITE, or EXCEPTION.

transactionid is the name of the Listener's CICS transaction.

ipaddress is the remote IP address of the client.

portnumber is the remote port number of the client.

System action

The Listener closes the connection and continues processing.

Operator response

Contact the system programmer.

System programmer response

If the event type is EXCEPTION, investigate whether or not the client is attempting to send out-of-band data. If necessary, have the client avoid sending out-of-band data. If the event type is not EXCEPTION or the client is not attempting to send out-of-band data, then contact the IBM Software Support Center.

Module

EZACIC02

Destination

LISTENER

EZY1220E: *mm/dd/yy hh:mm:ss* READ FAILURE ON CONFIGURATION FILE PHASE=*phase* EIBRESP2=*response*

Explanation

EZACIC21 was unable to read the IP CICS Sockets configuration file, EZACONFG.

mm/dd/yy is the date (month/day/year) of the message.

hh:mm:ss is the time (hours:minutes:seconds) of the message.

phase is the IP CICS Sockets initialization phase.

response is the response from CICS when reading the IP CICS Sockets configuration file.

System action

If the ABEND code is AEXY, then the listener ends normally. Otherwise, the listener ends with an ABEND code of EZAL.

Operator response

Notify the CICS system programmer.

System programmer response

Use the EIBRESP2 value to determine the problem and correct the file. See <http://www.ibm.com/software/htp/cics/library/> for information about EIBRESP2 values. If the EIBRESP2 value is zero, then the EZACONFG file has been defined as remote. If this is the configuration file you want, then verify

that no CICS Sockets programs can run directly in the file owning region. This can cause the file to become disabled. Ensure that EZACIC20 is not in the file owning region PLT, and that the EZAC and EZAO transactions are unable to run directly in the file owning region. Attempts to open the file will fail if the file is defined with a value of YES specified in the ADD, DELETE, or UPDATE parameters in the CICS file definition in more than one CICS region.

Module

EZACIC21

Destination

INITIALIZATION

**EZY1221E: *mm/dd/yy hh:mm:ss* CICS SOCKETS ENABLE FAILURE
EIBRCODE BYTE2 = *resp_code*****Explanation**

The attempt to enable the task related user exit (TRUE) failed.

mm/dd/yy is the date (month/day/year) of the message.

hh:mm:ss is the time (hours:minutes:seconds) of the message.

resp_code is the CICS response code from attempting to enable IP CICS Sockets Task Related User Exit (TRUE).

System action

Terminate the transaction.

Operator response

Notify the CICS system programmer.

System programmer response

Use the EIBRESP2 value to determine the problem and correct the file. An EIBRCODE BYTE2 value of 20 indicates the TRUE is already enabled. This will occur if you disable the interface using EZAO,STOP,CICS transaction and then immediately issue EZAO,START,CICS transaction before the Task Related User Exit (TRUE) is completely disabled from the previous EZAO,STOP,CICS transaction. See <http://www.ibm.com/software/hcp/cics/library/> for information about EIBRCODEs.

Module

EZACIC21

Destination

INITIALIZATION

**EZY1222E: *mm/dd/yy hh:mm:ss* CICS/SOCKETS REGISTRATION FAILURE
RETURN code= *return_code*****Explanation**

The attempt to register the CICS Sockets Feature to z/OS failed.

System action

Terminate the transaction.

Operator response

Contact your System Administrator.

System programmer response

See the [z/OS MVS Programming: Product Registration](#) for information about the values for *return_code*.

Module

EZACIC21

Destination

INITIALIZATION

EZY1223E: *mm/dd/yy hh:mm:ss* CICS/SOCKETS ATTACH FAILURE RETURN CODE = *return_code* REASON CODE = *reason_code*

Explanation

An attempt to attach one of the pool subtasks failed.

System action

Stop attaching pool subtasks. The size of the pool is determined by the number of subtasks successfully attached.

Operator response

Contact the CICS system programmer.

System programmer response

See the [z/OS MVS Programming: Authorized Assembler Services Reference ALE-DYN](#) for information about the values for *return_code* and *reason_code* and make appropriate adjustments to your CICS environment.

Module

EZACIC21

Destination

INITIALIZATION

EZY1224I: *mm/dd/yy hh:mm:ss* CICS/SOCKETS INITIALIZATION SUCCESSFUL USING *tasking_method*

Explanation

The CICS socket interface has completed initialization successfully.

mm/dd/yy is the date (month/day/year) of the message.

hh:mm:ss is the time (hours:minutes:seconds) of the message.

tasking_method is the tasking method used to support the EZASOKET calls. The possible methods are:

Reusable MVS subtasks

Signifies that the IP CICS socket interface is using MVS subtasks from the pool generated according to the value specified on the NTASKS configuration parameter.

Non-reusable MVS subtasks

Signifies that the IP CICS socket interface is attaching an MVS subtask for each IP CICS Sockets-enabled application because NTASKS=0.

Open Transaction Environment

Signifies that the IP CICS socket interface is enabled to use CICS Open Transaction Environment. All EZASOKET calls will be processed on an Open API, L8, TCB. Programs calling EZASOKET should be coded to threadsafe programming standards and defined to CICS as CONCURRENCY(THREADSAFE) to benefit from this environment.

System action

Continue with execution.

Operator response

None.

System programmer response

None.

Module

EZACIC21

Destination

INITIALIZATION

EZY1225E: *mm/dd/yy hh:mm:ss* STARTBR FAILURE ON CICS/SOCKETS CONFIGURATION FILE PHASE=*xx* EIBRESP2=*rrrrrr*

Explanation

The STARTBR command used for the configuration file has failed.

System action

Terminate the transaction.

Operator response

Contact the CICS system programmer.

System programmer response

Use the EIBRESP2 value to determine the problem. Check the CICS definition of the Configuration file to ensure the browse operation is permitted. See <http://www.ibm.com/software/hcp/cics/library/> for information about EIBRESP2 values.

Module

EZACIC21

Destination

INITIALIZATION

**EZY1226E: mm/dd/yy hh:mm:ss READNEXT FAILURE ON CICS/SOCKETS
CONFIGURATION FILE PHASE=xx EIBRESP2=rrrrrr****Explanation**

The READNEXT command used for the configuration file has failed.

System action

Terminate the transaction.

Operator response

Contact the CICS system programmer.

System programmer response

Use the EIBRESP2 value to determine the problem. Check the CICS definition of the Configuration file to ensure the browse operation is permitted. See <http://www.ibm.com/software/hcp/cics/library/> for information about EIBRESP2 values.

Module

EZACIC21

Destination

INITIALIZATION

**EZY1227E: mm/dd/yy hh:mm:ss CICS/SOCKETS INVALID LISTENER
TRANID = tran****Explanation**

The Listener transaction *tran* was not defined to CICS.

System action

Terminate Listener Initialization.

Operator response

Use CICS facilities to define the Listener transaction and program. Then use EZAO to start the Listener.

System programmer response

None.

Module

EZACIC21

Destination

INITIALIZATION

**EZY1228E: mm/dd/yy hh:mm:ss CICS/SOCKETS LISTENER TRANSACTION
tran DISABLED****Explanation**

The Listener transaction *tran* could not be started because it was disabled.

System action

Terminate Listener Initialization.

Operator response

Use CICS facilities to enable the transaction and then start the Listener using EZAO.

System programmer response

None.

Module

EZACIC21

Destination

INITIALIZATION

**EZY1229E: mm/dd/yy hh:mm:ss CICS SOCKETS LISTENER TRANSACTION
tran NOT AUTHORIZED****Explanation**

The Listener transaction *tran* could not be started because it was not authorized.

System action

Terminate Listener Initialization.

Operator response

Use CICS facilities to authorize starting the Listener transaction and then start the Listener using EZAO.

System programmer response

None.

Module

EZACIC21

Destination

INITIALIZATION

EZY1246E: mm/dd/yy hh:mm:ss CICS SOCKETS LISTENER PROGRAM ID mmmmmmmm INVALID

Explanation

The Listener transaction could not be started because program *mmmmmmmm* is not defined.

System action

Terminate Listener Initialization.

Operator response

If the program ID is correct, use CICS facilities to define it. If it is not correct, use the EZAC transaction to correct the CICS Sockets Configuration file.

System programmer response

None.

Module

EZACIC21

Destination

INITIALIZATION

EZY1247E: mm/dd/yy hh:mm:ss CICS SOCKETS LISTENER PROGRAM ID mmmmmmmm DISABLED

Explanation

The Listener transaction could not be started because program *mmmmmmmm* is disabled.

System action

Terminate Listener Initialization.

Operator response

Use CICS facilities to enable the program and then use EZAO to start the Listener.

System programmer response

None.

Module

EZACIC21

Destination

INITIALIZATION

EZY1250E: *mm/dd/yy hh:mm:ss* CICS/SOCKETS LISTENER *tran* NOT ON CONFIGURATION FILE

Explanation

The Listener transaction *tran* is not defined on the CICS Sockets configuration file.

System action

Terminate Listener Initialization.

Operator response

If the Listener transaction name is correct, use the EZAC transaction to define it on the CICS Configuration file. If the name is not correct, correct it on the EZAO transaction.

System programmer response

None.

Module

EZACIC21

Destination

INITIALIZATION

EZY1251E: *mm/dd/yy hh:mm:ss* CICS SOCKETS MODULE *mmmmmmmm* ABEND *xxxx*

Explanation

The CICS Sockets module *mmmmmmmm* has abended.

System action

Terminate the transaction.

Operator response

Contact the IBM Software Support Center.

System programmer response

None.

Module

EZACIC21

Destination

INITIALIZATION

EZY1252E: *mm/dd/yy hh:mm:ss* UNABLE TO LOAD EZASOH03 ERROR CODE= *error_code* REASON CODE= *reason_code*

Explanation

During CICS Sockets initialization, the attempt to load module EZASOH03 failed.

System action

Terminate Initialization.

Operator response

Contact the CICS system programmer.

System programmer response

See the [z/OS MVS Programming: Authorized Assembler Services Reference LLA-SDU](#) for information about the values for *error_code* and *reason_code* to determine why the module would not load. Also, look for associated MVS messages.

Module

EZACIC21

EZY1253E: *mm/dd/yy hh:mm:ss* CICS/SOCKETS LISTENER *tran* NOT ON CONFIGURATION FILE

Explanation

An EZAO STOP LISTENER transaction was run with an invalid Listener name.

System action

Present the panel to correct the name.

Operator response

Correct the name and retry termination.

System programmer response

None.

Module

EZACIC22

Destination

TERMINATION

EZY1254E: mm/dd/yy hh:mm:ss CACHE FILE ERROR RESP2 VALUE ***
CALL # ***

Explanation

An error occurred on a cache file operation.

System action

Return to the calling program with an error response.

Operator response

Contact the CICS system programmer.

System programmer response

Use the RESP2 value to determine the error and correct the cache file. See <http://www.ibm.com/software/htp/cics/library/> for information about RESP2 values.

Module

EZACIC25

Destination

DOMAIN NAME SERVER FUNCTION

**EZY1255E: mm/dd/yy hh:mm:ss TEMPORARY STORAGE ERROR RESP2
VALUE ***** CALL # ***

Explanation

An error occurred on a temporary storage operation in EZACIC25.

System action

Return to the calling program with an error response.

Operator response

Use the RESP2 value to determine the error. Contact the IBM Software Support Center. See <http://www.ibm.com/software/htp/cics/library/> for information about RESP2 values.

System programmer response

None.

Module

EZACIC25

Destination

DOMAIN NAME SERVER FUNCTION

EZY1256E: *mm/dd/yy hh:mm:ss* CICS SOCKETS INTERFACE NOT ENABLED PRIOR TO LISTENER STARTUP

Explanation

An attempt to start a Listener was made when the CICS socket interface was inactive.

System action

Return error and terminate transaction EZAO.

Operator response

Use transaction EZAO to start the CICS socket interface prior to starting the Listener.

System programmer response

None.

Module

EZACIC21

Destination

INITIALIZATION

EZY1258I: *module* ENTRY POINT IS *address*

Explanation

This message displays the entry point address of a module.

module is the name of the module.

address is the entry point address of the module.

System action

Processing continues.

Operator response

None.

System programmer response

None.

Module

EZACIC01, EZACIC02

**EZY1259E: *mm/dd/yy hh:mm:ss* IOCTL CALL FAILURE
TRANSACTION=*transactionid* TASKID=*tasknumber* ERRNO=*errno***

Explanation

Listener transaction *transactionid* experienced a failure on the IOCTL call.

In the message text:

mm/dd/yy

The date (month/day/year) of the message.

hh:mm:ss

The time (hours:minutes:seconds) of the message.

transactionid

The name of the transaction under which the Listener is executing.

tasknumber

The CICS task number of the Listener task.

errno

errno is the UNIX System Services return code. These return codes are listed in the sockets and sockets extended return codes (ERRNOs) in z/OS Communications Server: IP and SNA Codes.

System action

If the error is during initialization of the Listener, then the Listener transaction *transactionid* terminates. Otherwise, the Listener closes the socket that was being processed and resumes normal processing.

Operator response

Use the *errno* value to determine the cause of the failure.

System programmer response

None.

Module

EZACIC02

Destination

LISTENER

**EZY1260E: *mm/dd/yy hh:mm:ss* EZACIC03 ATTACH FAILED
GPR15=*xxxxxxx* ERRNO=*errno* TRAN=*tran* TASK=*cicstask***

Explanation

An ATTACH for an MVS subtask has failed. The reason code is in GPR 15.

errno is the UNIX System Services return code. These return codes are listed in the sockets and sockets extended return codes (ERRNOs) in z/OS Communications Server: IP and SNA Codes.

System action

The task related user exit (TRUE) for this transaction is disabled. The transaction abends with an AEY9.

Operator response

Contact the CICS system programmer.

System programmer response

Determine the cause for the ATTACH failure and correct.

Module

EZACIC01

Destination

TASK RELATED USER EXIT (TRUE)

EZY1261I: *mm/dd/yy hh:mm:ss* EZACIC03 ATTACH SUCCESSFUL, TCB ADDRESS= *tcbaddr* TERM=*term* TRAN=*tran* TASK=*cicstask*

Explanation

An ATTACH for an MVS subtask was successful. This message is produced only for Listeners and for those tasks that cannot be accommodated within the pool of reusable tasks.

Result: If you specify the character L as the last character in the subtask ID parameter of an INITAPI socket command, then the IP CICS Socket task related user exit (TRUE) assumes that the CICS transaction is a listener causing the TRUE to attach a new task to support the listener's socket commands.

mm/dd/yy is the date (month/day/year) of the message.

hh:mm:ss is the time (hours:minutes:seconds) of the message.

tcbaddr is the address of the Task Control Block (TCB) being attached.

term is the CICS terminal ID associated with the CICS transaction identified by *tran*.

tran is the name of the CICS transaction that was requested.

cicstask is the task number of the CICS transaction identified by *tran*.

System action

Processing continues.

Operator response

If this message happens frequently, increase the size of the reusable task pool, NTASKS, for this CICS. Increasing NTASKS appropriately will prevent overhead incurred with attaching the subtask. See [“TYPE parameter for EZACICD” on page 46](#) the EZACICD TYPE parameter the EZACICD TYPE parameter in for information the NTASKS value.

System programmer response

None.

Module

EZACIC01

Destination

TASK RELATED USER EXIT (TRUE)

**EZY1262E: mm/dd/yy hh:mm:ss GWA ADDRESS INVALID UEPGAA=xxxxxxxxx
TRAN=*tran* TASK=*cicstask***

Explanation

The task related user exit (TRUE) detected an invalid GWA address.

System action

The TRUE is disabled and the task abends with an AEY9.

Operator response

Use EZAO to stop (immediate) and start the CICS socket interface. If the problem repeats, contact the IBM Software Support Center.

System programmer response

None.

Module

EZACIC01

Destination

TASK RELATED USER EXIT (TRUE)

**EZY1263E: mm/dd/yy hh:mm:ss TIE ADDRESS INVALID UEPGAA=xxxxxxxxx
TRAN=*tran* TASK=*cicstask***

Explanation

The task related user exit (TRUE) detected an invalid TIE address.

System action

The TRUE is disabled and the task abends with an AEY9.

Operator response

Use EZAO to stop (immediate) and start the CICS socket interface. If the problem repeats, contact the IBM Software Support Center.

System programmer response

None.

Module

EZACIC01

Destination

TASK RELATED USER EXIT (TRUE)

**EZY1264E: *mm/dd/yy hh:mm:ss* FLAG WORD ADDRESS INVALID
UEPFLAGS= *xxxxxxx* ERRNO=*errno* TRAN=*tran* TASK=*cicstask***

Explanation

The task related user exit (TRUE) detected an invalid flag word address.

errno is the UNIX System Services return code. These return codes are listed in the sockets and sockets extended return codes (ERRNOs) in [z/OS Communications Server: IP and SNA Codes](#).

System action

The TRUE is disabled and the task abends with an AEY9.

Operator response

Use EZAO to stop (immediate) and start the CICS socket interface. If the problem repeats, contact the IBM Software Support Center.

System programmer response

None.

Module

EZACIC01

Destination

TASK RELATED USER EXIT (TRUE)

**EZY1265E: *mm/dd/yy hh:mm:ss* CICS VERSION UNSUPPORTED
GWACIVRM=*xxxx* ERRNO=*errno* TRAN=*tran* TASK=*cicstask***

Explanation

The task related user exit (TRUE) detected a version of CICS which it does not support. The CICS version must be 3 or above.

errno is the UNIX System Services return code. These return codes are listed in the sockets and sockets extended return codes (ERRNOs) in [z/OS Communications Server: IP and SNA Codes](#).

System action

The TRUE is disabled and the task abends with an AEY9.

Operator response

Contact the CICS system programmer.

System programmer response

The CICS socket interface requires CICS V3R3 or later.

Module

EZACIC01

Destination

TASK RELATED USER EXIT (TRUE)

**EZY1267E: mm/dd/yy hh:mm:ss ROUTING TASK FUNCTION INVALID
UERTIFD=xx ERRNO=errno TRAN=tran TASK=cicstask****Explanation**

The task related user exit (TRUE) detected an invalid routing task function.

errno is the UNIX System Services return code. These return codes are listed in the sockets and sockets extended return codes (ERRNOs) in [z/OS Communications Server: IP and SNA Codes](#).

System action

The TRUE is disabled and the task abends with an AEY9.

Operator response

If this happens repeatedly, use EZAO to STOP (immediate) the CICS socket interface and then START it. If it still happens, contact the IBM Software Support Center.

System programmer response

None.

Module

EZACIC01

Destination

TASK RELATED USER EXIT (TRUE)

**EZY1268E: mm/dd/yy hh:mm:ss SAVE AREA ADDRESS INVALID UEPHSM=xxxxxxx
ERRNO=errno TRAN=tran TASK=cicstask****Explanation**

The task related user exit (TRUE) detected an invalid save area address.

errno is the UNIX System Services return code. These return codes are listed in the sockets and sockets extended return codes (ERRNOs) in [z/OS Communications Server: IP and SNA Codes](#).

System action

The TRUE is disabled and the task abends with an AEY9.

Operator response

Contact the IBM Software Support Center.

System programmer response

None.

Module

EZACIC01

Destination

TASK RELATED USER EXIT (TRUE)

EZY1269E: mm/dd/yy hh:mm:ss PARM LIST ADDRESS INVALID GPR1=xxxxxxx ERRNO=errno TRAN=tran TASK=cicstask

Explanation

The task related user exit (TRUE) detected an invalid parameter list on a call request from the CICS application program.

errno is the UNIX System Services return code. These return codes are listed in the sockets and sockets extended return codes (ERRNOs) in [z/OS Communications Server: IP and SNA Codes](#).

System action

The TRUE is disabled and the task abends with an AEY9.

Operator response

Check the application program calls to the CICS socket interface to ensure that each call has the correct number and type of parameters.

System programmer response

None.

Module

EZACIC01

Destination

TASK RELATED USER EXIT (TRUE)

EZY1270E: mm/dd/yy hh:mm:ss PARM nn ADDRESS INVALID ADDRESS=xxxxxxx ERRNO=errno TRAN=tran TASK=cicstask

Explanation

The task related user exit (TRUE) detected an invalid parameter address on a call request from the CICS application program. *nn* is the number of the parameter.

errno is the UNIX System Services return code. These return codes are listed in the sockets and sockets extended return codes (ERRNOs) in [z/OS Communications Server: IP and SNA Codes](#).

System action

The TRUE is disabled and the task abends with an AEY9.

Operator response

Check the application program calls to the CICS socket interface to ensure that the parameter addresses are valid (not zero). This problem is most common in assembler language and C applications.

System programmer response

None.

Module

EZACIC01

Destination

TASK RELATED USER EXIT (TRUE)

**EZY1271E: *mm/dd/yy hh:mm:ss* TOKERR=xxxxxxx ERRNO=*errno*
TRAN=*tran* TASK=*cicstask***

Explanation

The task related user exit (TRUE) detected a token error on an internal token used to coordinate CICS transaction activity with TCP/IP activity.

errno is the UNIX System Services return code. These return codes are listed in the sockets and sockets extended return codes (ERRNOs) in [z/OS Communications Server: IP and SNA Codes](#).

System action

The TRUE is disabled and the task abends with an AEY9.

Operator response

Contact the IBM Software Support Center.

System programmer response

None.

Module

EZACIC01

Destination

TASK RELATED USER EXIT (TRUE)

**EZY1272E: *mm/dd/yy hh:mm:ss* INVALID SOCKET/FUNCTION CALL
FUNCTION= *xxxx* ERRNO=*errno* TRAN=*tran* TASK=*cicstask***

Explanation

A call to EZASOKET specified in invalid function.

errno is the UNIX System Services return code. These return codes are listed in the sockets and sockets extended return codes (ERRNOs) in [z/OS Communications Server: IP and SNA Codes](#).

System action

The TRUE is disabled and the task abends with an AEY9.

Operator response

Correct the call and try again.

System programmer response

None.

Module

EZACIC01

Destination

task related user exit (TRUE)

EZY1273E: mm/dd/yy hh:mm:ss IUCV SOCK/FUNC TABLE INVALID FUNCTION= xxxx ERRNO=*errno* TRAN=*tran* TASK=*cicstask*

Explanation

A call to EZACICAL specified a function that was not valid.

errno is the UNIX System Services return code. These return codes are listed in the sockets and sockets extended return codes (ERRNOs) in [z/OS Communications Server: IP and SNA Codes](#).

System action

The TRUE is disabled and the task abends with an AEY9.

Operator response

Correct the call and try again.

System programmer response

None.

Module

EZACIC01

Destination

TASK RELATED USER EXIT (TRUE)

EZY1274E: mm/dd/yy hh:mm:ss INCORRECT EZASOKET PARM COUNT FUNCTION= xxxx ERRNO=*errno* TRAN=*tran* TASK=*cicstask*

Explanation

A call to EZASOKET specified in invalid number of parameters.

errno is the UNIX System Services return code. These return codes are listed in the sockets and sockets extended return codes (ERRNOs) in z/OS Communications Server: IP and SNA Codes.

System action

The TRUE is disabled and the task abends with an AEY9.

Operator response

Correct the call and try again.

System programmer response

None.

Module

EZACIC01

Destination

TASK RELATED USER EXIT (TRUE)

EZY1275E: *mm/dd/yy hh:mm:ss* MONITOR CALLS NOT SUPPORTED UERTFID=*xx* ERRNO=*errno* TRAN=*tran* TASK=*cicstask*

Explanation

The task related user exit (TRUE) detected a monitor call which is not supported for this version of CICS.

errno is the UNIX System Services return code. These return codes are listed in the sockets and sockets extended return codes (ERRNOs) in z/OS Communications Server: IP and SNA Codes.

System action

The TRUE is disabled and the task abends with an AEY9.

Operator response

Contact the IBM Software Support Center.

System programmer response

None.

Module

EZACIC01

Destination

TASK RELATED USER EXIT (TRUE)

**EZY1276E: mm/dd/yy hh:mm:ss EDF CALLS NOT SUPPORTED UERTFID=xx
ERRNO=errno TRAN=tran TASK=cicstask**

Explanation

The task related user exit (TRUE) detected an EDF (Execute Diagnostic Facility) call. This TRUE does not support EDF calls.

errno is the UNIX System Services return code. These return codes are listed in the sockets and sockets extended return codes (ERRNOs) in [z/OS Communications Server: IP and SNA Codes](#).

System action

The TRUE is disabled and the task abends with an AEY9.

Operator response

Contact the IBM Software Support Center.

System programmer response

None.

Module

EZACIC01

Destination

TASK RELATED USER EXIT (TRUE)

**EZY1277I: mm/dd/yy hh:mm:ss EZACIC03 DETACHED TCB
ADDRESS=xxxxxxx ERRNO=errno TRAN=tran TASK=cicstask**

Explanation

An attached subtask is terminating.

errno is the UNIX System Services return code. These return codes are listed in the sockets and sockets extended return codes (ERRNOs) in [z/OS Communications Server: IP and SNA Codes](#).

System action

The TRUE detaches the MVS subtask.

Operator response

None.

System programmer response

None.

Module

EZACIC01

Destination

TASK RELATED USER EXIT (TRUE)

**EZY1278I: *mm/dd/yy hh:mm:ss* EZACIC03 DETACH SUCCESSFUL TCB
ADDRESS= *xxxxxxx* TRAN=*tran* TASK=*cicstask***

Explanation

An attached subtask is terminating.

System action

The TRUE detaches the MVS subtask.

Operator response

None.

System programmer response

None.

Module

EZACIC01

Destination

TASK RELATED USER EXIT (TRUE)

**EZY1279E: *mm/dd/yy hh:mm:ss* INVALID SYNC PT COMMAND DISP=*xx*
TRAN=*tran* TASK=*cicstask***

Explanation

The task related user exit (TRUE) Detected an invalid Sync Point command.

System action

Disable the TRUE and return to the caller.

Operator response

Contact the IBM Software Support Center.

System programmer response

None.

Module

EZACIC01

Destination

TASK RELATED USER EXIT (TRUE)

**EZY1280E: *mm/dd/yy hh:mm:ss* INVALID RESYNC COMMAND DISP=xx
TRAN=*tran* TASK=*cicstask***

Explanation

The task related user exit (TRUE) Detected an invalid Resync command.

System action

Disable the TRUE and return to the caller.

Operator response

Contact the IBM Software Support Center.

System programmer response

None.

Module

EZACIC01

EZY1282E: *mm/dd/yy hh:mm:ss* 10999 ABEND *reasonxx*

Explanation

The ESTAE processing in EZACIC03 could not be completed because of *reasonxx*.

System action

Allow the ABEND to percolate.

Operator response

Contact the IBM Software Support Center. See <http://www.ibm.com/software/hcp/cics/library/> for information about abend codes.

System programmer response

None.

Module

EZACIC03

Destination

MVS SUBTASK

**EZY1285E: *mm/dd/yy hh:mm:ss* CICS/SOCKETS LISTENER TRANSACTION
tran NOT ON CONFIGURATION FILE**

Explanation

The Listener attempting to start does not have a description record on the CICS Sockets configuration file.

System action

Listener terminates.

Operator response

Contact CICS system programmer.

System programmer response

Add the Listener to the configuration file using EZAC and try again.

Module

EZACIC02

Destination

LISTENER

**EZY1286E: *mm/dd/yy hh:mm:ss* READ FAILURE ON CICS/SOCKETS
CONFIGURATION FILE TRANSACTION= *tran* EIBRESP2= rrrrr****Explanation**

The Listener could not read the configuration file.

System action

Listener terminates.

Operator response

Contact CICS system programmer.

System programmer response

Use the CICS APR to interpret the value of EIBRESP2. If the file is not known to CICS, perform the installation steps for the configuration file.

See <http://www.ibm.com/software/htp/cics/library/> for information about EIBRESP2 values.

Module

EZACIC02

Destination

LISTENER

**EZY1287E: *mm/dd/yy hh:mm:ss* EZYCIC02 GETMAIN FAILURE FOR
VARIABLE STORAGE TRANSACTION= *tran* EIBRESP2=rrrrr****Explanation**

EZACIC02 could not obtain the variable storage it requires to execute.

System action

Listener terminates.

Operator response

Contact CICS system programmer.

System programmer response

Use the CICS APR to interpret the value of EIBRESP2. Correct your CICS configuration as indicated. See <http://www.ibm.com/software/hcp/cics/library/> for information about EIBRESP2 values.

Module

EZACIC02

Destination

LISTENER

EZY1288E: mm/dd/yy hh:mm:ss CICS SOCKETS MODULE mmmmmmmm ABEND aaaa

Explanation

An abend has occurred in module *mmmmmmm* of the CICS socket interface.

System action

Listener terminates.

Operator response

See <http://www.ibm.com/software/hcp/cics/library/> for information about abend codes. Contact the IBM Software Support Center.

System programmer response

None.

Module

EZACIC02

Destination

LISTENER

EZY1289I: mm/dd/yy hh:mm:ss CICS LISTENER TRANSACTION *tran taskno* TERMINATING

Explanation

The Listener is ending. This could be a normal shutdown situation or a failure related to the Listener socket. If it is the latter, a previous message described the failure.

In the message text:

mm/dd/yy

The date (month/day/year) of the message.

hh:mm:ss

The time (hours:minutes:seconds) of the message.

tran

The listener transaction ID.

taskno

The CICS task number assigned to the listener transaction ID.

Example

```
EZY1289I 02/19/09 13:51:39 CICS/SOCKETS LISTENER TRANSACTION CSKM TERMINATING
```

System action

The Listener ends.

Operator response

None.

User response

Not applicable.

System programmer response

None.

Problem determination

Not applicable.

Source

z/OS Communications Server TCP/IP: CICS Listener

Module

EZACIC02

Routing code

1

Descriptor code

2

Automation

This message is sent to the system console and to the CICS transient data queue that is specified by the IP CICS Sockets ERRORTD configuration option.

EZY1291I: *mm/dd/yy hh:mm:ss* LISTENER TRANSACTION *transactionid* TASKID= *taskno* ACCEPTING REQUESTS VIA[®] PORT *port*

Explanation

The specified transaction can now receive connection requests on the specified port.

This message is issued when any of the following events occur:

- The listener is initialized and was able to connect to its TCP/IP.
- The listener reconnects to its TCP/IP after its TCP/IP has been restarted.
- The listener's socket descriptor table is no longer full and the table is now accepting client connections.

In the message text:

mm/dd/yy

The date (month/day/year) of the message.

hh:mm:ss

The time (hours:minutes:seconds) of the message.

transactionid

The name of the listener's transaction that can now accept new client connections.

taskno

The task number assigned by CICS.

port

The port number on which the listener identified by the *transactionid* value is listening.

Example

```
EZY1291I 01/19/06 10:07:33 LISTENER TRANSACTION= CSKL TASKID= 0000079L ACCEPTING REQUESTS VIA PORT 3010
```

System action

The listener transaction continues.

Operator response

No action needed.

User response

None.

System programmer response

No action needed.

Problem determination

None.

Source

Not applicable.

Module

EZACIC02

Routing code

Not applicable.

Descriptor code

Not applicable.

EZY1292E: mm/dd/yy hh:mm:ss CANNOT START LISTENER, TRUE NOT ACTIVE TRANSACTION= *tran* TASKID= *cicstask* EIBRCODE BYTE3=rr

Explanation

The initialization of the CICS socket interface did not complete successfully and this Listener cannot continue.

System action

Listener transaction *tran* terminates.

Operator response

If EZAO is being used to start the Listener, ensure that the CICS socket interface has successfully completed initialization first. If this happens during automatic initialization, look for other messages which would indicate why the initialization of the CICS socket interface failed.

See the for information about EIBRCODEs.

System programmer response

None.

Module

EZACIC02

Destination

LISTENER

EZY1293E: mm/dd/yy hh:mm:ss INITAPI CALL FAILURE TRANSACTION=*tran* TASKID= *cicstask* ERRNO=*errno*

Explanation

Listener transaction *tran* experienced a failure on the INITAPI call.

errno is the UNIX System Services return code. These return codes are listed in the sockets and sockets extended return codes (ERRNOs) in [z/OS Communications Server: IP and SNA Codes](#).

System programmer response

None.

System action

Listener transaction *tran* terminates.

Operator response

Use the *errno* value to determine the cause of the failure.

Module

EZACIC02

Destination

LISTENER

EZY1294E: *mm/dd/yy hh:mm:ss* SOCKET CALL FAILURE TRANSACTION= *tran* TASKID= *cicstask* ERRNO= *errno*

Explanation

Listener transaction *tran* experienced a failure on the SOCKET call.

errno is the UNIX System Services return code. These return codes are listed in the sockets and sockets extended return codes (ERRNOs) in [z/OS Communications Server: IP and SNA Codes](#).

System programmer response

None.

System action

Listener transaction *tran* terminates.

Operator response

Use the *errno* value to determine the cause of the failure.

Module

EZACIC02

Destination

LISTENER

EZY1295E: *mm/dd/yy hh:mm:ss* BIND CALL FAILURE TRANSACTION= *tran* TASKID= *cicstask* ERRNO= *errno*

Explanation

Listener transaction *tran* experienced a failure on the BIND call.

errno is the UNIX System Services return code. These return codes are listed in the sockets and sockets extended return codes (ERRNOs) in [z/OS Communications Server: IP and SNA Codes](#).

System action

Listener transaction *tran* terminates.

Operator response

Use the *errno* value to determine the cause of the failure.

Note:

1. An ERRNO=13 could indicate that the port and jobname specified in the PORT statement in *hlq.TCPIP.PROFILE* does not match the port and jobname used by the CICS Listener.
2. An ERRNO=48 could indicate that the port is not reserved in *hlq.TCPIP.PROFILE*.

System programmer response

None.

Module

EZACIC02

Destination

LISTENER

**EZY1296E: mm/dd/yy hh:mm:ss LISTEN CALL FAILURE TRANSACTION= *tran*
TASKID= *cicstask* ERRNO= *errno***

Explanation

Listener transaction *tran* experienced a failure on the LISTEN call.

errno is the UNIX System Services return code. These return codes are listed in the sockets and sockets extended return codes (ERRNOs) in [z/OS Communications Server: IP and SNA Codes](#).

System action

Listener transaction *tran* terminates.

Operator response

Use the *errno* value to determine the cause of the failure.

System programmer response

None.

Module

EZACIC02

Destination

LISTENER

**EZY1297E: mm/dd/yy hh:mm:ss GETCLIENTID CALL FAILURE
TRANSACTION=*tran* TASKID= *cicstask* ERRNO=*errno***

Explanation

Listener transaction *tran* experienced a failure on the GETCLIENTID call.

errno is the UNIX System Services return code. These return codes are listed in the sockets and sockets extended return codes (ERRNOs) in [z/OS Communications Server: IP and SNA Codes](#).

System action

Listener transaction *tran* terminates.

Operator response

Use the *errno* value to determine the cause of the failure.

System programmer response

None.

Module

EZACIC02

Destination

LISTENER

EZY1298E: mm/dd/yy hh:mm:ss CLOSE FAILURE TRANID= *tran* TASKID= *cicstask* ERRNO= *errno*

Explanation

Listener transaction *tran* experienced a failure on the CLOSE call.

errno is the UNIX System Services return code. These return codes are listed in the sockets and sockets extended return codes (ERRNOs) in [z/OS Communications Server: IP and SNA Codes](#).

System action

Listener transaction *tran* continues.

Operator response

Use the *errno* value to determine the cause of the failure.

System programmer response

None.

Module

EZACIC02

Destination

LISTENER

**EZY1299E: *mm/dd/yy hh:mm:ss* SELECT CALL FAILURE TRANSACTION= *tran*
TASKID= *xxxxx* ERRNO= *errno***

Explanation

Listener transaction *tran* experienced a failure on the SELECT call.

errno is the UNIX System Services return code. These return codes are listed in the sockets and sockets extended return codes (ERRNOs) in [z/OS Communications Server: IP and SNA Codes](#).

System action

Listener transaction *tran* terminates.

Operator response

Use the *errno* value to determine the cause of the failure.

System programmer response

None.

Module

EZACIC02

Destination

LISTENER

**EZY1300E: *mm/dd/yy hh:mm:ss* RECV FAILURE TRANSID= *transactionid*
TASKID= *tasknumber* ERRNO= *errno* INET ADDR=*inetaddress*
PORT=*portnumber***

Explanation

The Listener transaction *transactionid* experienced a failure on the RECV call.

mm/dd/yy is the date (month/day/year) of the message.

hh:mm:ss is the time (hours:minutes:seconds) of the message.

transactionid is the name of the Listener transaction performing the RECV Socket.

tasknumber is the CICS task number assigned to the CICS transaction *transactionid*.

errno is the UNIX System Services return code. These return codes are listed in the sockets and sockets extended return codes (ERRNOs) in [z/OS Communications Server: IP and SNA Codes](#).

inetaddress is the internet address of the connecting client.

portnumber is the connecting client's port number.

System action

The Listener transaction *transactionid* continues.

Operator response

Use the *errno* value to determine the cause of the failure.

System programmer response

None.

Module

EZACIC02

Destination

LISTENER

**EZY1301E: *mm/dd/yy hh:mm:ss* CONNECTION CLOSED BY CLIENT
TRANSACTION= *transactionid* PARTNER INET ADDR= *ipaddr* PORT= *port***

Explanation

A remote client connected to the CICS Listener but then closed the connection before sending the entire amount of data required by the Listener as determined by the MINMSGL standard Listener configuration parameter or the MSGLEN enhanced Listener configuration parameter.

mm/dd/yy is the date (month/day/year) of the message.

hh:mm:ss is the time (hours:minutes:seconds) of the message.

transactionid is the transaction name of the CICS Listener.

ipaddr is the internet address of the remote client.

port is the port number of the remote client.

System action

The Listener transaction *transactionid* continues.

Operator response

Correct the client program.

System programmer response

None.

Module

EZACIC02

Destination

LISTENER

**EZY1302I: *mm/dd/yy hh:mm:ss* READ TIMEOUT PARTNER INET ADDR=
inetaddress PORT= *portnumber* LISTENER TRANID= *tran_id* TASKID= *task_id***

Explanation

The initial message from the client did not arrive within the read timeout value specified for this Listener in the CICS Sockets configuration file.

mm/dd/yy is the date (month/day/year) of the message.

hh:mm:ss is the time (hours:minutes:seconds) of the message.

inetaddress is the internet address of the connecting client.

portnumber is the connecting client's port number.

tran_id is the name of the listener's transaction.

task_id is the task number of the listener's transaction.

Example

```
EZY1302I 02/24/09 16:13:16 READ TIMEOUT PARTNER INET ADDR=9.42.105.102  
PORT= 1030 LISTENER TRANID= CSKM TASKID= 0000085L
```

System action

The Listener closes the connection socket and does not attempt to start a server transaction.

Operator response

Determine the cause of the delay and correct it.

System programmer response

None.

Problem determination

Not applicable.

Source

z/OS Communications Server TCP/IP: LISTENER

Module

EZACIC02

Routing code

10

Descriptor code

12

Automation

This message is sent to the CICS transient data queue that is specified by the IP CICS Sockets ERRORTD configuration option.

**EZY1303I: *mm/dd/yy hh:mm:ss* EZACIC02 GIVESOCKET TIMEOUT TRANS
transactionid PARTNER INET ADDR=*inetaddress* PORT=*portnumber***

Explanation

The started server transaction did not perform the takesocket within the timeout value specified for this Listener in the CICS Sockets configuration file.

mm/dd/yy is the date (month/day/year) of the message.

hh:mm:ss is the time (hours:minutes:seconds) of the message.

transactionid is the name of the transaction that was requested by the connecting client.

inetaddress is the internet address of the connecting client.

portnumber is the connecting client's port number.

System action

Send an error message to the client and close the socket.

Operator response

Determine the reason for the delay in the server transaction. Possible causes are an overloaded CICS system or excessive processing in the server transaction before the takesocket is issued. Correct the situation and try again.

System programmer response

None.

Module

EZACIC02

Destination

LISTENER

EZY1306E: *mm/dd/yy hh:mm:ss* SECURITY EXIT *mmmmmmmm* IS NOT DEFINED TRANID= *tran* TASKID=xxxxxxx

Explanation

The security exit specified for this Listener in the CICS Sockets configuration file is not defined to CICS.

System action

Close the socket and terminate the connection.

Operator response

Use CICS RDO to define the security exit.

System programmer response

None.

Module

EZACIC02

Destination

LISTENER

**EZY1307E: mm/dd/yy hh:mm:ss MAXIMUM # OF SOCKETS USED TRANS=
tran TASKID= cicstask ERRNO= errno**

Explanation

All of the sockets allocated to Listener transaction xxxx are in use.

errno is the UNIX System Services return code. These return codes are listed in the sockets and sockets extended return codes (ERRNOs) in [z/OS Communications Server: IP and SNA Codes](#).

System action

The ACCEPT call is delayed until a socket is available.

Operator response

Use the EZAC transaction to increase the number of sockets allocated Listener *tran* and then stop and restart Listener transaction *tran*.

System programmer response

None.

Module

EZACIC02

Destination

LISTENER

**EZY1308E: mm/dd/yy hh:mm:ss ACCEPT CALL FAILURE TRANSACTION=
tran TASKID= cicstask ERRNO= errno**

Explanation

Listener transaction *tran* experienced a failure on the ACCEPT call.

errno is the UNIX System Services return code. These return codes are listed in the sockets and sockets extended return codes (ERRNOs) in [z/OS Communications Server: IP and SNA Codes](#).

System action

Listener transaction *tran* terminates.

Operator response

Use the *errno* value to determine the cause of the failure.

System programmer response

None.

Module

EZACIC02

Destination

LISTENER

**EZY1309E: *mm/dd/yy hh:mm:ss* GIVESOCKET FAILURE TRANS
transactionid TASKID=*tasknumber* ERRNO=*errno* INET ADDR=*inetaddress*
PORT=*portnumber***

Explanation

The Listener transaction *transactionid* experienced a failure on the GIVESOCKET call.

mm/dd/yy is the date (month/day/year) of the message.

hh:mm:ss is the time (hours:minutes:seconds) of the message.

transactionid is the name of the transaction that was requested by the connecting client.

tasknumber is the CICS task number assigned to the CICS transaction *transactionid*.

errno is the UNIX System Services return code. These return codes are listed in the sockets and sockets extended return codes (ERRNOs) in [z/OS Communications Server: IP and SNA Codes](#).

inetaddress is the internet address of the connecting client.

portnumber is the connecting client's port number.

System action

The Listener transaction *transactionid* terminates.

Operator response

Use the *errno* value to determine the cause of the failure.

System programmer response

None.

Module

EZACIC02

Destination

LISTENER

**EZY1310E: *mm/dd/yy hh:mm:ss* IC VALUE NOT NUMERIC
TRANID=*transactionid* PARTNER INET ADDR=*inetaddress* PORT=*portnumber***

Explanation

The interval specified in the transaction input message contains one or more non-numeric characters.

mm/dd/yy is the date (month/day/year) of the message.

hh:mm:ss is the time (hours:minutes:seconds) of the message.

transactionid is the name of the transaction that was requested by the connecting client.

inetaddress is the internet address of the connecting client.

portnumber is the connecting client's port number.

System action

The interval is ignored, and the transaction is started immediately.

Operator response

Correct the client program which is sending this transaction input message.

System programmer response

None.

Module

EZACIC02

Destination

LISTENER

EZY1311E: *mm/dd/yy hh:mm:ss* CICS TRANID *transactionid* NOT AUTHORIZED PARTNER INET ADDR=*inetaddress* PORT=*portnumber*

Explanation

The transaction name specified in the transaction input message is not RSL authorized.

mm/dd/yy is the date (month/day/year) of the message.

hh:mm:ss is the time (hours:minutes:seconds) of the message.

transactionid is the name of the transaction that was requested by the connecting client.

inetaddress is the internet address of the connecting client.

portnumber is the connecting client's port number.

System action

The transaction is not started.

Operator response

Correct the CICS transaction definition if the transaction should be authorized or the client program if it is sending the wrong transaction name.

System programmer response

None.

Module

EZACIC02

Destination

LISTENER

EZY1312E: mm/dd/yy hh:mm:ss SECURITY EXIT mmmmmmmm CANNOT BE LOADED TRANID= *tran* TASKID=*cicstask*

Explanation

Listener transaction *tran* experienced a failure when it attempted to load security exit program *mmmmmmm*.

System action

Listener transaction *tran* continues but the server transaction associated with this transaction input message is not started.

Operator response

Use CEMT to determine the status of the exit program and correct whatever problems are found.

System programmer response

None.

Module

EZACIC02

Destination

LISTENER

EZY1313E: mm/dd/yy hh:mm:ss LISTENER NOT AUTHORIZED TO ACCESS SECURITY EXIT mmmmmmmm TRANID= *tran* TASKID=*xxxxxxx*

Explanation

Listener transaction *tran* is not authorized to access security exit program *mmmmmmm*.

System action

Listener transaction *tran* continues but the server transaction associated with this transaction input message is not started.

Operator response

If the security exit program name is incorrect, use EZAC to correct the definition of this Listener on the CICS Sockets Configuration file. If the security exit program is correct, use the CICS RDO facility to authorize Listener transaction *xxxx* to use security exit program *mmmmmmm*.

System programmer response

None.

Module

EZACIC02

Destination

LISTENER

**EZY1314E: *mm/dd/yy hh:mm:ss* SECURITY EXIT *mmmmmmmm* IS
DISABLED TRANID= *tran* TASKID=*xxxxxxxx***

Explanation

Security exit program *mmmmmmmm* is disabled.

System action

Listener transaction *tran* continues but the server transaction associated with this transaction input message is not started.

Operator response

Use CEMT to enable the security exit program.

System programmer response

None.

Module

EZACIC02

Destination

LISTENER

**EZY1315E: *mm/dd/yy hh:mm:ss* INVALID TRANSID *transactionid* PARTNER
INET ADDR=*inetaddress* PORT=*portnumber***

Explanation

The transaction input message from the client specified transaction *transactionid* but this transaction is not defined to CICS.

mm/dd/yy is the date (month/day/year) of the message.

hh:mm:ss is the time (hours:minutes:seconds) of the message.

transactionid is the name of the transaction that was requested by the connecting client. The *transactionid* field will be blank if no printable name was passed by the client or the security exit.

inetaddress is the internet address of the connecting client.

portnumber is the connecting client's port number.

System action

The Listener transaction continues but the server transaction associated with this transaction input message is not started.

Operator response

If the transaction name is incorrect, correct the client program. If the transaction name is correct, correct the CICS transaction definition.

System programmer response

If *transactionid* is blank, then there is a possible mismatch because the Listener is expecting the first message segment to start with a transaction name but it does not. A packet trace might be helpful in determining whether there is such a mismatch. For example, if the packet trace shows that the first message segment starts with X'160300' or X'160301' then possibly a **clienthello** message was received, which indicates that there is an Application Transparent Transport Layer Security (AT-TLS) policy on the client side of the TCP connection but no matching AT-TLS policy (or AT-TLS is not enabled) on the Listener side of the TCP connection. This would need to be addressed by the AT-TLS administrator. See [Application Transparent Transport Layer Security Data Protection in z/OS Communications Server: IP Configuration Guide](#) and [Steps for diagnosing AT-TLS problems in z/OS Communications Server: IP Diagnosis Guide](#) for more information.

Module

EZACIC02

Destination

LISTENER

EZY1316E: mm/dd/yy hh:mm:ss TRANSID *transactionid* IS DISABLED PARTNER INET ADDR=*inetaddress* PORT=*portnumber*

Explanation

Transaction *transactionid* is disabled.

mm/dd/yy is the date (month/day/year) of the message.

hh:mm:ss is the time (hours:minutes:seconds) of the message.

transactionid is the name of the transaction that was requested by the connecting client.

inetaddress is the internet address of the connecting client.

portnumber is the connecting client's port number.

System action

The Listener transaction continues but the server transaction associated with this transaction input message is not started.

Operator response

Use CEMT to enable the server transaction.

System programmer response

None.

Module

EZACIC02

Destination

LISTENER

EZY1317E: *mm/dd/yy hh:mm:ss* TRANSID *transactionid* IS NOT AUTHORIZED PARTNER INET ADDR=*inetaddress* PORT=*portnumber*

Explanation

The Listener transaction *transactionid* is not authorized to start the transaction name specified in the transaction input message.

mm/dd/yy is the date (month/day/year) of the message.

hh:mm:ss is the time (hours:minutes:seconds) of the message.

transactionid is the name of the transaction that was requested by the connecting client.

inetaddress is the internet address of the connecting client.

portnumber is the connecting client's port number.

System action

The transaction is not started.

Operator response

Authorize Listener transaction *transactionid* to start the transaction.

System programmer response

None.

Module

EZACIC02

Destination

LISTENER

EZY1318E: *mm/dd/yy hh:mm:ss* TD START SUCCESSFUL QUEUEID= *que*

Explanation

The Listener transaction started a server transaction through transient data queue *que*

System action

Listener transaction continues and the server transaction is ready to start.

Operator response

None.

System programmer response

None.

Module

EZACIC02

Destination

LISTENER

EZY1319E: *mm/dd/yy hh:mm:ss* QIDERR FOR TD DESTINATION *queuename* PARTNER INET ADDR=*inetaddress* PORT=*portnumber*

Explanation

The Listener transaction was unable to start a CICS transaction through transient data queue *queuename*. DFHRESP was QIDERR.

mm/dd/yy is the date (month/day/year) of the message.

hh:mm:ss is the time (hours:minutes:seconds) of the message.

queuename is the name of the transient data queue that was requested by the connecting client.

inetaddress is the internet address of the connecting client.

portnumber is the connecting client's port number.

System action

The Listener transaction continues.

Operator response

If the queue name is incorrect, correct the client program sending this transaction input message. If the queue name is correct, correct the CICS Destination Control Table.

System programmer response

None.

Module

EZACIC02

Destination

LISTENER

EZY1320E: *mm/dd/yy hh:mm:ss* I/O ERROR FOR TD DESTINATION *queuename* PARTNER INET ADDR=*inetaddress* PORT=*portnumber*

Explanation

The Listener transaction was unable to start a CICS transaction through transient data queue *queuename*. DFHRESP was IOERR.

mm/dd/yy is the date (month/day/year) of the message.

hh:mm:ss is the time (hours:minutes:seconds) of the message.

queuename is the name of the transient data queue that was requested by the connecting client.

inetaddress is the internet address of the connecting client.

portnumber is the connecting client's port number.

System action

The Listener transaction continues.

Operator response

Contact the CICS system programmer.

System programmer response

None.

Module

EZACIC02

Destination

LISTENER

EZY1321E: *mm/dd/yy hh:mm:ss* LENGTH ERROR FOR TD DESTINATION *queuename* PARTNER INET ADDR=*inetaddress* PORT=*portnumber*

Explanation

The Listener transaction was unable to start a CICS transaction through transient data queue *queuename*. DFHRESP was LENGERR.

mm/dd/yy is the date (month/day/year) of the message.

hh:mm:ss is the time (hours:minutes:seconds) of the message.

queuename is the name of the transient data queue that was requested by the connecting client.

inetaddress is the internet address of the connecting client.

portnumber is the connecting client's port number.

System action

The Listener transaction continues.

Operator response

Contact the CICS system programmer. The minimum length for this queue should be greater than 72.

System programmer response

Change definition of Transient Data Queue to accommodate length of this message.

Module

EZACIC02

Destination

LISTENER

EZY1322E: *mm/dd/yy hh:mm:ss* TD DESTINATION *queuename* DISABLED PARTNER INET ADDR=*inetaddress* PORT=*portnumber*

Explanation

The Listener transaction was unable to start a CICS transaction through transient data queue *queuename*. DFHRESP was DISABLED.

mm/dd/yy is the date (month/day/year) of the message.

hh:mm:ss is the time (hours:minutes:seconds) of the message.

queuename is the name of the transient data queue that was requested by the connecting client.

inetaddress is the internet address of the connecting client.

portnumber is the connecting client's port number.

System action

The Listener transaction continues.

Operator response

Use CEMT to enable the destination.

System programmer response

None.

Module

EZACIC02

Destination

LISTENER

EZY1323E: *mm/dd/yy hh:mm:ss* TD DESTINATION *queuename* OUT OF SPACE PARTNER INET ADDR=*inetaddress* PORT=*portnumber*

Explanation

The Listener transaction was unable to start a CICS transaction through transient data queue *queuename*. DFHRESP was NOSPACE.

mm/dd/yy is the date (month/day/year) of the message.

hh:mm:ss is the time (hours:minutes:seconds) of the message.

queuename is the name of the transient data queue that was requested by the connecting client.

inetaddress is the internet address of the connecting client.

portnumber is the connecting client's port number.

System action

The Listener transaction continues.

Operator response

Contact the CICS system programmer.

System programmer response

Allocate space for this Transient Data Queue.

Module

EZACIC02

Destination

LISTENER

**EZY1324E: *mm/dd/yy hh:mm:ss* TD START FAILED QUEUE ID=*queuename*
PARTNER INET ADDR=*inetaddress* PORT=*portnumber***

Explanation

The Listener transaction was unable to start a CICS transaction through transient data queue *queuename*.

mm/dd/yy is the date (month/day/year) of the message.

hh:mm:ss is the time (hours:minutes:seconds) of the message.

queuename is the name of the transient data queue that was requested by the connecting client.

inetaddress is the internet address of the connecting client.

portnumber is the connecting client's port number.

System action

The Listener transaction continues.

Operator response

Contact the CICS system programmer.

System programmer response

Determine the problem with the Transient Data Queue and correct it.

Module

EZACIC02

Destination

LISTENER

**EZY1325I: *mm/dd/yy hh:mm:ss* START SUCCESSFUL TRANID=*transactionid*
PARTNER INET ADDR=*inetaddress* PORT=*portnumber***

Explanation

The Listener transaction was able to start a CICS transaction *transactionid* transient data queue.

mm/dd/yy is the date (month/day/year) of the message.

hh:mm:ss is the time (hours:minutes:seconds) of the message.

transactionid is the name of the transaction that was requested by the connecting client.

inetaddress is the internet address of the connecting client.

portnumber is the connecting client's port number.

System action

The Listener transaction continues.

Operator response

None.

System programmer response

None.

Module

EZACIC02

Destination

LISTENER

**EZY1326E: *mm/dd/yy hh:mm:ss* START I/O ERROR TRANID=*transactionid*
PARTNER INET ADDR=*inetaddress* PORT=*portnumber***

Explanation

The Listener transaction was unable to start a CICS transaction *transactionid*. DFHRESP was IOERR.

mm/dd/yy is the date (month/day/year) of the message.

hh:mm:ss is the time (hours:minutes:seconds) of the message.

transactionid is the name of the transaction that was requested by the connecting client.

inetaddress is the internet address of the connecting client.

portnumber is the connecting client's port number.

System action

The Listener transaction continues.

Operator response

Contact the CICS system programmer.

System programmer response

Determine the cause of the I/O error and correct it.

Module

EZACIC02

Destination

LISTENER

EZY1327E: *mm/dd/yy hh:mm:ss* START TRANSACTION ID *transactionid* INVALID PARTNER INET ADDR=*inetaddress* PORT=*portnumber*

Explanation

The Listener transaction was unable to start a CICS transaction *transactionid*. DFHRESP was TRANSIDERR.

mm/dd/yy is the date (month/day/year) of the message.

hh:mm:ss is the time (hours:minutes:seconds) of the message.

transactionid is the name of the transaction that was requested by the connecting client.

inetaddress is the internet address of the connecting client.

portnumber is the connecting client's port number.

System action

The Listener transaction continues.

Operator response

Contact the CICS system programmer.

System programmer response

Check the transaction definition in RDO to ensure it is correct.

Module

EZACIC02

Destination

LISTENER

EZY1328E: *mm/dd/yy hh:mm:ss* START TRANSACTION ID *transactionid* NOT AUTHORIZED PARTNER INET ADDR=*inetaddress* PORT=*portnumber*

Explanation

The Listener transaction was unable to start a CICS transaction *transactionid*. DFHRESP was NOTAUTH.

mm/dd/yy is the date (month/day/year) of the message.

hh:mm:ss is the time (hours:minutes:seconds) of the message.

transactionid is the name of the transaction that was requested by the connecting client.

inetaddress is the internet address of the connecting client.

portnumber is the connecting client's port number.

System action

The Listener transaction continues.

Operator response

If the transaction ID is incorrect, correct the client program which sent this transaction input message. If the transaction ID is correct, authorize Listener transaction to start this transaction.

System programmer response

None.

Module

EZACIC02

Destination

LISTENER

**EZY1329E: *mm/dd/yy hh:mm:ss* START FAILED (99) TRANSID=*transactionid*
PARTNER INET ADDR=*inetaddress* PORT=*portnumber***

Explanation

The Listener transaction was unable to start a CICS transaction *transactionid*. DFHRESP was 99.

mm/dd/yy is the date (month/day/year) of the message.

hh:mm:ss is the time (hours:minutes:seconds) of the message.

transactionid is the name of the transaction that was requested by the connecting client.

inetaddress is the internet address of the connecting client.

portnumber is the connecting client's port number.

System action

The Listener transaction continues.

Operator response

Contact the CICS system programmer.

System programmer response

Check the transaction definition in RDO. Look for associated messages in the MSGUSR queue, which might indicate why the transaction would not start.

Module

EZACIC02

Destination

LISTENER

**EZY1330E: *mm/dd/yy hh:mm:ss* IC START SUCCESSFUL
TRANID=*transactionid* PARTNER INET ADDR=*inetaddress* PORT=*portnumber***

Explanation

The Listener transaction was able to start a CICS transaction *transactionid*.

mm/dd/yy is the date (month/day/year) of the message.

hh:mm:ss is the time (hours:minutes:seconds) of the message.

transactionid is the name of the transaction that was requested by the connecting client.

inetaddress is the internet address of the connecting client.

portnumber is the connecting client's port number.

System action

The Listener transaction continues.

Operator response

None.

System programmer response

None.

Module

EZACIC02

Destination

LISTENER

**EZY1331E: *mm/dd/yy hh:mm:ss* IC START I/O ERROR TRANID=*transactionid*
PARTNER INET ADDR=*inetaddress* PORT=*portnumber***

Explanation

Listener transaction was unable to start a CICS transaction *transactionid*. DFHRESP was IOERR.

mm/dd/yy is the date (month/day/year) of the message.

hh:mm:ss is the time (hours:minutes:seconds) of the message.

transactionid is the name of the transaction that was requested by the connecting client.

inetaddress is the internet address of the connecting client.

portnumber is the connecting client's port number.

System action

Listener transaction continues.

Operator response

Contact the CICS system programmer.

System programmer response

Look for other messages in the MSGUSR queue, which provide specific information on the I/O error and correct the problem.

Module

EZACIC02

Destination

LISTENER

**EZY1332E: *mm/dd/yy hh:mm:ss* IC START INVALID REQUEST
TRANID=*transactionid* PARTNER INET ADDR=*inetaddress* PORT=*portnumber***

Explanation

Listener transaction was unable to start a CICS transaction *transactionid*. DFHRESP was INVREQ.

mm/dd/yy is the date (month/day/year) of the message.

hh:mm:ss is the time (hours:minutes:seconds) of the message.

transactionid is the name of the transaction that was requested by the connecting client.

inetaddress is the internet address of the connecting client.

portnumber is the connecting client's port number.

System action

Listener transaction continues.

Operator response

Collect the messages written to the console and MSGUSR queue, client input data, and a SOCKAPI component trace and contact the IBM Software Support Center.

System programmer response

None.

Module

EZACIC02

Destination

LISTENER

**EZY1333E: *mm/dd/yy hh:mm:ss* IC START FAILED TRANID=*transactionid*
PARTNER INET ADDR=*inetaddress* PORT=*portnumber***

Explanation

Listener transaction was unable to start a CICS transaction *transactionid*.

mm/dd/yy is the date (month/day/year) of the message.

hh:mm:ss is the time (hours:minutes:seconds) of the message.

transactionid is the name of the transaction that was requested by the connecting client.

inetaddress is the internet address of the connecting client.

portnumber is the connecting client's port number.

System action

Listener transaction continues.

Operator response

Contact the CICS system programmer.

System programmer response

Check the RDO definition of the transaction. Collect the messages written to the console and MSGUSR queue, client input data, and a SOCKAPI component trace and contact the IBM Software Support Center.

Module

EZACIC02

Destination

LISTENER

**EZY1334E: *mm/dd/yy hh:mm:ss* INVALID USER TRANID=*transactionid*
PARTNER INET ADDR = *inetaddress* PORT = *portnumber* USERID = *userid***

Explanation

This message indicates that the user security exit has given the Listener an invalid USERID field.

mm/dd/yy is the date (month/day/year) of the message.

hh:mm:ss is the time (hours:minutes:seconds) of the message.

transactionid is the name of the transaction that was requested by the connecting client.

inetaddress is the internet address of the connecting client.

portnumber is the connecting client's port number.

userid is the user ID assigned by the user security exit.

System action

The server transaction that is identified by the *transactionid* value does not start.

Operator response

Correct the user ID that is not valid in the user security exit.

System programmer response

None.

Module

EZACIC02

Destination

LISTENER

**EZY1335E: *mm/dd/yy hh:mm:ss* WRITE FAILED ERRNO=*errno*
TRANID=*transactionid*. PARTNER INET ADDR=*inetaddress*
PORT=*portnumber***

Explanation

Listener transaction had a failure on a WRITE command.

mm/dd/yy is the date (month/day/year) of the message.

hh:mm:ss is the time (hours:minutes:seconds) of the message.

errno is the UNIX System Services return code. These return codes are listed in the sockets and sockets extended return codes (ERRNOs) in [z/OS Communications Server: IP and SNA Codes](#).

transactionid is the name of the transaction that was requested by the connecting client.

inetaddress is the internet address of the connecting client.

portnumber is the connecting client's port number.

System action

The Listener transaction continues.

Operator response

Use the *errno* value to determine the cause of the failure.

System programmer response

None.

Module

EZACIC02

Destination

LISTENER

**EZY1336E: *mm/dd/yy hh:mm:ss* TAKESOCKET FAILURE TRANS
transactionid TASKID=*tasknumber* ERRNO=*errno* INET ADDR=*inetaddress*
PORT=*portnumber***

Explanation

The Listener transaction had a failure on a TAKESOCKET command.

mm/dd/yy is the date (month/day/year) of the message.

hh:mm:ss is the time (hours:minutes:seconds) of the message.

errno is the UNIX System Services return code. These return codes are listed in the sockets and sockets extended return codes (ERRNOs) in [z/OS Communications Server: IP and SNA Codes](#).

transactionid is the name of the transaction that was requested by the connecting client.

inetaddress is the internet address of the connecting client.

portnumber is the connecting client's port number.

System action

The Listener transaction continues.

Operator response

Use the *errno* value to determine the cause of the failure.

System programmer response

None.

Module

EZACIC02

Destination

LISTENER

**EZY1337E: *mm/dd/yy hh:mm:ss* CICS IN QUIESCE, LISTENER
TERMINATING TRANSID= *tran* TASKID= *cicstask***

Explanation

Listener transaction *tran* is terminating because it detected a CICS quiesce in progress.

System action

Listener transaction *tran* terminates.

Operator response

None.

System programmer response

None.

Module

EZACIC02

Destination

LISTENER

**EZY1338E: *mm/dd/yy hh:mm:ss* PROGRAM *programname* NOT FOUND
TRANID=*transactionid* PARTNER INET ADDR=*inetaddress* PORT=*portnumber***

Explanation

The Listener checked the status of the program associated with the transaction. It was not found.

mm/dd/yy is the date (month/day/year) of the message.

hh:mm:ss is the time (hours:minutes:seconds) of the message.

programname is the name of the program which is associated with the transaction requested by the connecting client.

transactionid is the name of the transaction that was requested by the connecting client.

inetaddress is the internet address of the connecting client.

portnumber is the connecting client's port number.

System action

Listener continues.

Operator response

If *transactionid* is incorrect, correct the client program that sent the transaction input message. If the transaction ID is correct, check the transaction and program definitions in CICS.

System programmer response

None.

Module

EZACIC02

**EZY1339E: *mm/dd/yy hh:mm:ss* EXIT PROGRAM (EZACIC01) IS NOT
ENABLED. DISABLE IGNORED TERM=*term* TRAN=*tranxxx***

Explanation

A termination of the CICS socket interface was requested but the interface is not enabled.

System action

The termination request is ignored.

Operator response

None.

System programmer response

None.

Module

EZACIC22

Destination

TERMINATION

EZY1340E: *mm/dd/yy hh:mm:ss* API ALREADY QUIESCING DUE TO PREVIOUS REQ. EZAO IGNORED TERM=*term* TRAN=*tranxxx*

Explanation

A request for a quiesce of the CICS socket interface has been made but one is already in progress.

System action

Ignore the second request.

Operator response

None.

System programmer response

None.

Module

EZACIC22

Destination

TERMINATION

EZY1341E: *mm/dd/yy hh:mm:ss* API ALREADY IN IMMEDIATE MODE DUE TO PREVIOUS REQ. EZAO IGNORED TERM=*term* TRAN=*tranxxx*

Explanation

A request for an immediate of the CICS socket interface has been made but one is already in progress.

System action

Ignore the second request.

Operator response

None.

System programmer response

None.

Module

EZACIC22

Destination

TERMINATION

EZY1342I: *mm/dd/yy hh:mm:ss* DISABLE DELAYED UNTIL ALL USING TASKS COMPLETE TERM=*termid* TRAN=*transid*

Explanation

A quiesce is in progress and is waiting for all outstanding CICS tasks to complete using the CICS socket interface.

When an IP CICS interface is being shut down the following actions occur:

- All listeners are posted to end.
- If the interface is configured as OTE=NO, then all non-listener tasks have their MVS subtask posted and their CICS task ends.
- If the interface is configured as OTE=YES, then any non-listener transaction that is running a blocking socket command is forced to end by a CICS FORCE PURGE action.

See the information about the “TYPE=CICS setting for the TYPE parameter” on page 46 TYPE=CICS parameter TYPE=CICS parameter in for information about the OTE configuration option.

In the message text:

mm/dd/yy

The date (month/day/year) of the message.

hh:mm:ss

The time (hours:minutes:seconds) of the message.

termid

The CICS terminal ID on which the IP CICS socket shutdown is occurring.

transid

The CICS transaction ID that requested that the IP CICS socket be shut down.

System action

The system continues to shut down.

Operator response

None.

System programmer response

None.

Module

EZACIC22

Destination

TERMINATION

EZY1343I: *mm/dd/yy hh:mm:ss* CICS/SOCKETS INTERFACE IMMEDIATELY DISABLED TERM=*term* TRAN=*tranxxx*

Explanation

A request for the immediate ending of the CICS socket interface has been successfully completed.

In the message text:

mm/dd/yy

The date (month/day/year) of the message.

hh:mm:ss

The time (hours:minutes:seconds) of the message.

term

The terminal ID from which the command to end the CICS socket interface was issued.

tran

The transaction ID that is ending the CICS socket interface.

Example

```
EZY1343I 02/19/09 13:52:50 CICS/SOCKETS INTERFACE IMMEDIATELY DISABLED. TERM= TRAN=EZAP
```

System action

The CICS socket interface ends.

Operator response

None.

System programmer response

None.

Problem determination

Not applicable.

Source

z/OS Communications Server TCP/IP: CICS socket interface termination

Module

EZACIC22

Routing code

1

Descriptor code

2

Automation

This message is sent to the system console and to the CICS transient data queue that is specified by the IP CICS Sockets ERRORTD configuration option.

EZY1344I: *mm/dd/yy hh:mm:ss* CICS/SOCKETS INTERFACE QUIESCENTLY DISABLED TERM=*term* TRAN=*tranxxx*

Explanation

A request for the deferred ending of the CICS socket interface has been successfully completed.

In the message text:

mm/dd/yy

The date (month/day/year) of the message.

hh:mm:ss

The time (hours:minutes:seconds) of the message.

term

The terminal ID from which the command to end the CICS socket interface was issued.

tran

The transaction ID that is ending the CICS socket interface.

Example

```
EZY1344I 02/19/09 13:52:21 CICS/SOCKETS INTERFACE QUIESCENTLY DISABLED. TERM= TRAN=EZAP
```

System action

The CICS socket interface ends.

Operator response

None.

System programmer response

None.

Problem determination

Not applicable.

Source

z/OS Communications Server TCP/IP: CICS socket interface termination

Module

EZACIC22

Routing code

1

Descriptor code

2

Automation

This message is sent to the system console and to the CICS transient data queue that is specified by the IP CICS Sockets ERRORTD configuration option.

**EZY1347I: *mm/dd/yy hh:mm:ss* PROGRAM *programname* ASSUMED
TO BE AUTOINSTALLED TRANID=*transactionid* IP ADDR=*inetaddress*
PORT=*portnumber***

Explanation

The Listener checked the status of the program associated with the transaction. It was not found. Because program autoinstall is active in the CICS region, the Listener assumes that the program definition will automatically be installed by CICS.

mm/dd/yy

The date (month/day/year) of the message.

hh:mm:ss

The time (hours:minutes:seconds) of the message.

programname

The name of the undefined program which is associated with the transaction requested by the connecting client.

transactionid

The name of the transaction that was requested by the connecting client.

inetaddress

The internet address of the connecting client.

portnumber

The connecting client's port number.

System action

Listener continues.

Operator response

None.

System programmer response

Verify that the program name in the transaction definition is correct. Verify that the program is intended to be autoinstalled rather than explicitly defined in the PPT.

Module

EZACIC02

Destination

LISTENER

EZY1348E: *mm/dd/yy hh:mm:ss* INVALID SOCKET FUNCTION *function* ERRNO *errno* TRAN *tranid* TASK *taskid*

Explanation

The task related user exit (TRUE) detected an invalid socket function on a call request from the CICS application program.

mm/dd/yy is the date (month/day/year) of the message.

hh:mm:ss is the time (hours:minutes:seconds) of the message.

function is the invalid socket function.

errno is the UNIX System Services return code. These return codes are listed in the sockets and sockets extended return codes (ERRNOs) in [z/OS Communications Server: IP and SNA Codes](#).

tranid is the name of the CICS transaction.

taskid is the CICS task ID number.

System action

The TRUE is disabled and the task abends with an AEY9 CICS abend code.

Operator response

Correct the invalid socket function and try again.

The most probable *errno* is 10011 "INVALID SOCKET FUNCTION". If the socket function name appears correct, ensure that the application padded the function call with blanks.

System programmer response

None.

Module

EZACIC01

Destination

Task Related User Exit (TRUE)

EZY1349E: *mm/dd/yy hh:mm:ss* UNABLE TO OPEN CONFIGURATION FILE TRANSACTION=*transactionid* EIBRESP2=*eibresp2*

Explanation

The CICS Listener received an abnormal response from CICS when attempting to open the CICS Sockets configuration file (EZACONFG) using an EXEC CICS SET FILE call.

mm/dd/yy is the date (month/day/year) of the message.

hh:mm:ss is the time (hours:minutes:seconds) of the message.

transactionid is the name of the transaction under which the Listener is executing.

eibresp2 is the EIBRESP2 value returned by CICS on the EXEC CICS SET FILE call as described in <http://www.ibm.com/software/htp/cics/library/>.

System action

The Listener ends.

Operator response

Contact the CICS system programmer.

System programmer response

Use the to interpret the value of EIBRESP2. If the file is not known to CICS, perform the installation steps for the configuration file.

Module

EZACIC02

Destination

LISTENER

**EZY1350E: *mm/dd/yy hh:mm:ss* NOT AUTHORIZED TO USE *api_function*,
action IGNORED. TERM=*termid* TRAN=*transid***

Explanation

The IP CICS socket interface uses a CICS EXTRACT EXIT command to determine whether the IP CICS Sockets Task Related User Exit (TRUE) is enabled. This action is performed by IP CICS socket interface initialization and shutdown programs, the Listener, and by any user application linking to the IP CICS domain name server module.

mm/dd/yy is the date (month/day/year) of the message.

hh:mm:ss is the time (hours:minutes:seconds) of the message.

api_function is the CICS command performed.

action is the action intended.

- ENABLE means the IP CICS socket interface is being enabled.
- DISABLE means the IP CICS socket interface is being disabled.
- STARTUP means the IP CICS socket interface is being started.

termid is the terminal ID where the transaction receiving the error is executing.

transid is the name of the transaction that is incurring the security violation.

System action

- If the TRUE is being enabled when the IP CICS socket interface is initializing, then the enable action is ignored and the interface is not activated.
- If the TRUE is being disabled when the IP CICS socket interface is shutting down, then the disable action is ignored and the interface remains active.
- If the IP CICS socket interface is being started, then the startup action is ignored and the interface remains inactive.

Operator response

Contact the CICS system programmer.

System programmer response

Ensure that the user ID being used is allowed at least UPDATE access to the EXITPROGRAM resource.

Module

EZACIC02, EZACIC21, EZACIC22

Destination

Listener, Initialization, Shutdown

EZY1351E: *mm/dd/yy hh:mm:ss* EXIT PROGRAM (EZACIC01) IS NOT ENABLED, *action* IGNORED. TERM=*termid* TRAN=*transid*

Explanation

The IP CICS socket interface uses a CICS ENABLE PROGRAM command to enable the IP CICS Sockets Task Related User Exit (TRUE). This action is performed by IP CICS socket interface initialization.

mm/dd/yy is the date (month/day/year) of the message.

hh:mm:ss is the time (hours:minutes:seconds) of the message.

action is the action intended.

- ENABLE means the IP CICS socket interface is being enabled.
- DISABLE means the IP CICS socket interface is being disabled.

termid is the terminal ID where the transaction receiving the error is executing.

transid is the name of the transaction that is incurring the security violation.

System action

The IP CICS socket interface is not initialized.

Operator response

Contact the CICS system programmer.

System programmer response

Ensure that the user ID being used is allowed at least UPDATE access to the EXITPROGRAM resource.

Module

EZACIC21

Destination

Initialization

**EZY1352E: *mm/dd/yy hh:mm:ss* SUBTASK ENDED UNEXPECTEDLY
TRANSACTION= *transactionid* TASKID= *taskid***

Explanation

The current tasks CICS Sockets subtask ended unexpectedly. This is probably caused by an ABEND of the subtask.

mm/dd/yy is the date (month/day/year) of the message.

hh:mm:ss is the time (hours:minutes:seconds) of the message.

transactionid is the name of the CICS transaction whose subtask ended unexpectedly.

taskid is the CICS task number of the task whose subtask ended unexpectedly.

System action

The CICS socket interface is disabled for the current task. Any subsequent CICS Sockets calls by that task will result in CICS ABEND code AEY9. Other tasks are not affected.

Operator response

Contact the CICS system programmer.

System programmer response

Check the console log for previous messages that explain what happened to the subtask.

Module

EZACIC01

Destination

TASK RELATED USER EXIT (TRUE)

**EZY1353E: *mm/dd/yy hh:mm:ss* COMMA MISSING AFTER IC TRANS ID =
transactionid PARTNER IP ADDR = *inetaddress* PORT = *portnumber***

Explanation

The listener did not find a comma delimiter after the interval control (IC) start type indicator in the client's transaction request message.

In the message text:

mm/dd/yy

The date (month/day/year) of the message.

hh:mm:ss

The time (hours:minutes:seconds) of the message.

transactionid

The name of the transaction that was requested by the connecting client.

inetaddress

The internet address of the connecting client.

portnumber

The connecting client's port number.

Example

An example of a transaction request message for the standard listener:

```
SCCS,DATA,IC000010  
EZY1258I 10/11/05 14:01:55 EZACIC02 ENTRY POINT IS 17CB2028  
EZY1258I 10/11/05 14:01:55 EZACIC01 ENTRY POINT IS 177E2518  
EZY1291I 10/11/05 14:01:56 LISTENER TRANSACTION= CSKL TASKID= 0000032L  
ACCEPTING REQUESTS VIA PORT 3010  
EZY1353E 10/11/05 14:02:56 COMMA MISSING AFTER IC TRANSACTION ID= SCCS  
PARTNER INET ADDR=10.1.1.2 PORT= 1076
```

System action

The listener does not start the transaction specified by the client's transaction request message and ends the connection. This message is also returned to the client.

Operator response

Ensure that a comma delimiter separates the IC start type and the IC start time. See [“IBM listener input format” on page 116](#) for information about the client's transaction request message.

User response

Not applicable.

System programmer response

None.

Problem determination

Not applicable.

Source

Module

EZACIC02

Routing code

Not applicable.

Descriptor code

Not applicable.

EZY1354I: mm/dd/yy hh:mm:ss CICS/SOCKETS CICS TRACING IS status

Explanation

This message shows the status of changing IP CICS Sockets CICS tracing and is issued when one of the following occurs:

- The operator issued the EZAO,START,TRACE transaction.
- The operator issued the EZAO,STOP,TRACE transaction.

- The CICS Master User Trace Flag is specified as OFF and the IP CICS Sockets TRACE configuration is specified as YES.

mm/dd/yy is the date (month/day/year) of the message.

hh:mm:ss is the time (hours:minutes:seconds) of the message.

status is the status of CICS tracing for the IP CICS socket interface.

- ENABLED indicates that the IP CICS socket interface will generate CICS trace data when CICS tracing is active.
- DISABLED indicates that the IP CICS socket interface will not generate CICS trace data.

System action

When *status* is ENABLED, IP CICS Sockets will generate CICS trace data when CICS tracing is active. When *status* is DISABLED, IP CICS Sockets will not generate CICS trace data.

Operator response

None.

System programmer response

None.

Module

EZACIC00, EZACIC01

Destination

TRC00000, SUB05100

EZY1355I: *mm/dd/yy hh:mm:ss* CICS/SOCKETS TCBLIM EXCEEDS MAXOPENTCBS

Explanation

IP CICS Sockets has determined that the value specified for TCBLIM exceeds the value of MAXOPENTCBS allowed at the time the interface was enabled. TCBLIM will be forced to the same value as MAXOPENTCBS.

mm/dd/yy is the date (month/day/year) of the message.

hh:mm:ss is the time (hours:minutes:seconds) of the message.

System action

IP CICS Sockets TCBLIM will default to the value of MAXOPENTCBS. IP CICS Sockets processing continues.

Operator response

Contact the CICS system programmer.

System programmer response

Adjust the value specified by the TCBLIM configuration option using one or more of the following methods:

- Specify an appropriate TCBLIM value on the EZACICD TYPE=CICS,TCBLIM= macro.
- Specify an appropriate TCBLIM value using the EZAC Configuration transaction.
- Specify an appropriate TCBLIM value dynamically by using the EZAO Operator transaction.
- Specify an appropriate MAXOPENTCBS value using the CICS System Initialization parameters.
- Specify an appropriate MAXOPENTCBS value using the CICS Master Terminal transaction, CEMT SET DISPATCHER MAXOPENTCBS.

See the following sections in :

- [“Building the configuration data set with EZACICD” on page 44](#) for information about using the EZACICD macro.
- [“Customizing the configuration transaction \(EZAC\)” on page 57](#) for information about the EZAC Configuration transaction.
- [“Using the SET function” on page 90](#) and [“Using the INQUIRE function” on page 88](#) for information about the EZAO Operator transaction.
- [“TYPE parameter for EZACICD” on page 46](#) for a description of the TCBLIM parameter.

For a description of the MAXOPENTCBS parameter and information about using the CEMT transaction, see <http://www.ibm.com/software/htp/cics/library/.s>

Module

EZACIC21

Destination

Initialization

EZY1356E: mm/dd/yy hh:mm:ss CICS/SOCKETS TCBLIM HAS BEEN REACHED

Explanation

The number of IP CICS Sockets-enabled CICS tasks using an Open API, L8, TCB is equal to the value specified by the TCBLIM configuration option.

mm/dd/yy is the date (month/day/year) of the message.

hh:mm:ss is the time (hours:minutes:seconds) of the message.

System action

The IP CICS socket interface will suspend any new tasks until one of the following actions occur:

- The IP CICS Sockets TCBLIM value is increased.
- Existing transactions using IP CICS Sockets end.

This message will be issued only when the interface detects that it has reached TCBLIM. EZY1360I will be issued when this condition is relieved.

Operator response

Contact the CICS system programmer.

System programmer response

Use the CICS Master Terminal transaction, CEMT INQ TASK HVALUE(ATTTCBLIM), to determine which IP CICS Sockets-enabled CICS transactions are subject to TCBLIM. Either take action to reduce the IP

CICS Sockets work load or increase the IP CICS Socket TCBLIM configuration option. You can use the EZAO,SET,CICS Operator transaction to dynamically increase TCBLIM. The new value you set for the TCBLIM configuration option must be less than or equal to the value specified by MAXOPENTCBS.

Module

EZACIC01

Destination

SUB16000

**EZY1357I: *mm/dd/yy hh:mm:ss* TRANSIENT DATA QUEUE SPECIFIED ON
ERRORTD IS NOT DEFINED TO CICS****Explanation**

IP CICS Sockets has determined that the CICS transient data queue specified by the ERRORTD configuration option was not defined to the CICS region where the IP CICS socket interface is enabled.

mm/dd/yy is the date (month/day/year) of the message.

hh:mm:ss is the time (hours:minutes:seconds) of the message.

System action

The CSMT transient data queue will be used for reporting all IP CICS Sockets interface messages. CSMT is the default CICS transient data queue name.

Operator response

Contact the CICS system programmer.

System programmer response

Ensure that the CICS transient data queue specified by the ERRORTD configuration option is properly defined to CICS.

See [“Defining the TCPM transient data queue for CICS TCP/IP” on page 33](#) the Transient data definition the Transient data definition in for more information.

Module

EZACIC21

Destination

Initialization

EZY1358E: 10999 ABEND - IP CICS SOCKETS USING OTE**Explanation**

IP CICS Sockets has incorrectly called the MVS subtask wrapper module when the interface was enabled to use CICS Open Transaction Environment.

System action

The IP CICS socket interface will stop.

Operator response

Contact the CICS system programmer.

System programmer response

Contact the IBM Software Support Center. See <http://www.ibm.com/software/hcp/cics/library/> for information about abend codes.

Module

EZACIC03

Destination

MVS SUBTASK

EZY1359I: *mm/dd/yy hh:mm:ss* CICS/SOCKETS APPLICATIONS WILL USE THE QR TCB

Explanation

IP CICS Sockets has determined that CICS FORCEQR=YES is specified.

mm/dd/yy is the date (month/day/year) of the message.

hh:mm:ss is the time (hours:minutes:seconds) of the message.

System action

CICS will force all user application programs, including those enabled to IP CICS Sockets, that are specified as threadsafe to run under the CICS Quasi-Reentrant (QR) TCB, as if they were specified as quasi-reentrant programs.

Operator response

Contact the CICS system programmer.

System programmer response

If you do not want to incur the overhead of CICS switching Open API-enabled tasks back to the QR TCB, then change the value of FORCEQR to NO. See <http://www.ibm.com/software/hcp/cics/library/> for more details about the following information:

- FORCEQR CICS system initialization parameter.
- CICS master terminal transaction that is used to dynamically change the FORCEQR setting.

Module

EZACIC21

Destination

Initialization

EZY1360I: *mm/dd/yy hh:mm:ss* CICS/SOCKETS TCBLIM CONDITION HAS BEEN RELIEVED

Explanation

IP CICS Sockets enable transactions are no longer suspended due to TCBLIM.

mm/dd/yy is the date (month/day/year) of the message.

hh:mm:ss is the time (hours:minutes:seconds) of the message.

System action

Any new or suspended IP CICS Sockets work will now be processed without being suspended due to IP CICS Sockets being at TCBLIM.

Operator response

None.

System programmer response

None.

Module

EZACIC01

Destination

SUB16000, Task termination

EZY1361E: *mm/dd/yy hh:mm:ss* CICS/TS OPEN TRANSACTION ENVIRONMENT SUPPORT IS NOT AVAILABLE

Explanation

The IP CICS Sockets OTE configuration parameter is specified as YES. IP CICS Sockets determined that the CICS environment that is required to support the exploitation of CICS Open Transaction Environment by IP CICS Sockets is not available.

mm/dd/yy is the date (month/day/year) of the message.

hh:mm:ss is the time (hours:minutes:seconds) of the message.

System action

The IP CICS socket interface is not enabled to use CICS Open Transaction Environment.

Operator response

Contact the system programmer.

System programmer response

Perform one of the following:

- Upgrade the level of CICS to support Open Transaction Environment. The CICS Open Transaction Environment requires CICS/TS V2R2 or later.

- Change the IP CICS socket interface configuration to use MVS subtasks when configuring it by using the EZAC configuration transaction or the EZACICD macro.

Module

EZACIC21

Destination

Initialization

EZY1362E: *mm/dd/yy hh:mm:ss* CICS/SOCKETS START OF LISTENER *transactionid* FAILED RESP1= *resp1* RESP2=*resp2*

Explanation

CICS Sockets attempted to start the specified listener, but the EXEC CICS START command failed with the RESP1 and RESP2 values listed in the message text.

mm/dd/yy is the date (month/day/year) of the message.

hh:mm:ss is the time (hours:minutes:seconds) of the message.

transactionid is the transaction name of the listener that the CICS Sockets attempted to start.

resp1 is the RESP1 value returned by the EXEC CICS START transaction.

resp2 is the RESP2 value returned by the EXEC CICS START transaction.

System action

The CICS Listener does not start.

Operator response

None.

System programmer response

See the description of the START command at <http://www.ibm.com/software/htp/cics/library/> for information about why the START command failed.

- If the RESP2 value is 8 or 9, then the problem is related to the USERID parameter in the definition of the listener. Verify that the USERID parameter is correct. See Chapter 2, “[Setting up and configuring CICS TCP/IP;](#)” on page 21 for a description of the USERID parameter.
- If the RESP2 value is 8, then the USERID parameter of the listener definition specifies a user ID that is not known to RACF. Therefore, either change the USERID parameter or define the user ID to RACF.
- If the RESP2 value is 9, then the user ID under which the EXEC CICS START was issued does not have SURROGAT security access to the user ID that is specified in the USERID parameter. For example, if the failure occurs during CICS PLT processing, then the PLT user ID does not have SURROGAT security access to the listener's user ID. See <http://www.ibm.com/software/htp/cics/library/> for more information.

Module

EZACIC21

Destination

INITIALIZATION

EZY1363I: *mm/dd/yy hh:mm:ss* LISTENER *transactionid taskno* HAD *threads* THREADS ACTIVE WHEN STACK *tcpname* ENDED

Explanation

This message displays the number of listener threads that were active when the TCP/IP stack that is specified ended. This message is followed by one or more EZY1368I messages that describe the clients that are affected.

In the message text:

mm/dd/yy

The date (month/day/year) of the message.

hh:mm:ss

The time (hours:minutes:seconds) of the message.

transactionid

The listener's transaction ID.

taskno

The task number assigned by CICS.

threads

The number of threads that were active when the specified TCP/IP stack ended.

tcpname

The TCP/IP procedure name with which the listener had affinity.

Example

Following is an example of the messages that are displayed when the stack has ended while the listener was processing data.

```
EZY1369E 01/10/06 12:59:32 LISTENER CSKL 10295 IS DELAYED, STACK TCPCS IS UNAVAILABLE
EZY1363I 01/10/06 12:59:33 LISTENER CSKL 10295 HAD 5 THREADS ACTIVE WHEN STACK TCPCS ENDED
EZY1367I 01/10/06 12:59:33 SOCK# IP ADDRESS PORT CHILD
EZY1368I 01/10/06 12:59:33 2 10.11.1.2 10245 PAYR
EZY1368I 01/10/06 12:59:33 12 2001:DB8:10::11:2:1 21089
EZY1368I 01/10/06 12:59:33 15 10.91.1.1 10245 INVN
EZY1368I 01/10/06 12:59:33 19 10.81.1.1 21212 ACCT
EZY1368I 01/10/06 12:59:33 999 2001:DB8:10::11:1:2 00901 ORDR
```

System action

Processing continues.

Operator response

No action needed.

User response

No action needed.

System programmer response

No action needed.

Problem determination

Not applicable.

Source

z/OS Communications Server TCP/IP: CICS Socket Interface and API

Module

EZACIC02

Routing code

10

Descriptor code

12

Automation

This message is sent to the CICS transient data queue that is specified by the IP CICS Sockets ERRORTD configuration option.

EZY1364I: *mm/dd/yy hh:mm:ss* LISTENER *transactionid* DETECTED THAT TTLS IS *status* ON STACK *tcpname*

Explanation

The CICS Listener is defined with a GETTID parameter of YES which indicates that the listener is requested to attempt to obtain the connecting client certificates and user IDs from Application Transparent Transport Layer Security (AT-TLS). If status is DISABLED, then AT-TLS is disabled in the TCP/IP stack. Therefore, the listener is unable to obtain client certificates and user IDs as requested by the GETTID parameter. If status is ENABLED, then AT-TLS has been enabled in the TCP/IP stack, making it possible for the listener to obtain client certificates and user IDs.

mm/dd/yy is the date (month/day/year) of the message.

hh:mm:ss is the time (hours:minutes:seconds) of the message.

transactionid is the name of the listeners CICS transaction.

status is the status of AT-TLS in the TCP/IP stack. *status* is either DISABLED or ENABLED.

tcpname is the name of the TCP/IP stack.

System action

The listener continues its normal processing, which includes attempting to obtain client certificates and User IDs.

Operator response

Contact the system programmer.

System programmer response

No response is needed if status is ENABLED. If status is DISABLED, then verify that the GETTID parameter of YES is correct in the listener definition. If so, request that your AT-TLS administrator investigate why

AT-TLS is not enabled in the TCP/IP stack. See [Chapter 2, “Setting up and configuring CICS TCP/IP,”](#) on [page 21](#) [Setting up and configuring CICS TCP/IP](#) [Setting up and configuring CICS TCP/IP](#) in for a description of the GETTID parameter.

See [Application Transparent Transport Layer Security Data Protection in z/OS Communications Server: IP Configuration Guide](#) and [Steps for diagnosing AT-TLS problems in z/OS Communications Server: IP Diagnosis Guide](#) for more information.

Module

EZACIC02

Destination

LISTENER

EZY1365E: *mm/dd/yy hh:mm:ss* LISTENER *transactionid taskno* IS NOT ACCEPTING REQUESTS ON PORT *port*

Explanation

The listener identified by the specified transaction ID and task number cannot process inbound connections because the listener's socket descriptor table is full.

In the message text:

mm/dd/yy

The date (month/day/year) of the message.

hh:mm:ss

The time (hours:minutes:seconds) of the message.

transactionid

The name of the listener's transaction that cannot accept new client connections.

taskno

The task number assigned by CICS.

port

The port number on which the specified listener is listening.

Example

```
EZY1365E 01/19/06 10:07:33 LISTENER CSKL 0000079 IS NOT ACCEPTING REQUESTS AT PORT 3010
```

System action

The listener does not accept new connections until the number of socket descriptors currently being processed by the listener is less than the value specified by the lesser of either the system MAXFILEPROC parameter or the listener user ID's FILEPROC MAX parameter.

Operator response

Contact the system programmer.

User response

No action needed.

System programmer response

Perform any of the following actions as appropriate:

- If the ERRORTD log indicates that the child server transaction failed to take the client's given socket, then investigate the CICS region where the child server transaction runs.

See the [steps for diagnosing TCP/IP clients that are unable to connect in z/OS Communications Server: IP Diagnosis Guide](#) for information about diagnosing child server transactions problems.

See <http://www.ibm.com/software/hcp/cics/library/> for information about CICS/TS problems.

- If the listeners NUMSOCK value is greater than or equal to the value specified by the MAXFILEPROC parameter, then perform one of the following actions:
 - Set the NUMSOCK value to be less than the MAXFILEPROC value using either the EZACICD macro or the EZAC configuration transaction and then restart the listener. See the information about [“Configuring the CICS TCP/IP environment”](#) on page 44 for more information about using the EZACICD macro and the EZAC configuration transaction.
 - Set the MAXFILEPROC value to be greater than the NUMSOCK value using the SETOMVS system command. See the [SETOMVS command](#) information in [z/OS MVS System Commands](#) for information about dynamically changing the MAXFILEPROC option that z/OS UNIX System Services is currently using.
- If the listener user ID FILEPROCMAX value is less than the value specified by the NUMSOCK parameter, set the FILEPROCMAX value to be greater than the value specified by the NUMSOCK parameter. For more information about the FILEPROCMAX specification, see the documentation provided for the SAF product that is in use on your system. If you are using RACF, see the information about the FILEPROCMAX parameter in [z/OS Security Server RACF Security Administrator's Guide](#).

Problem determination

See the system programmer response.

Source

z/OS Communications Server TCP/IP: CICS Socket Interface and API

Module

EZACIC02

Routing code

1

Descriptor code

2

Automation

This message is sent to the system console and to the CICS transient data queue that is specified by the IP CICS Sockets ERRORTD configuration option.

EZY1366E: *mm/dd/yy hh:mm:ss* CICS/SOCKETS LISTENER TRANSACTION *tranid* IS ALREADY ACTIVE

Explanation

The IP CICS Sockets Listener determined that another listener with the same transaction ID is already active.

mm/dd/yy is the date (month/day/year) of the message.

hh:mm:ss is the time (hours:minutes:seconds) of the message.

tranid is the CICS transaction identifier of the duplicate IP CICS Sockets Listener.

System action

The IP CICS Sockets Listener that issued this message ends.

Operator response

Contact the system programmer.

System programmer response

Change the Listeners CICS transaction identifier or port number to ensure that the definition is unique. See Chapter 2, “[Setting up and configuring CICS TCP/IP](#),” on page 21 for more information about configuring the IP CICS Sockets Listener.

Module

EZACIC02

Destination

Initialization

EZY1367I: *mm/dd/yy hh:mm:ss* SOCK# IP ADDRESS PORT CHILD

Explanation

The listener was processing client connections when its TCP/IP stack ended. This message is issued when the listener has accepted sockets that were not taken by child server tasks. This message is a header message for the EZY1368I detail messages that follow. This message accompanies an EZY1363I message.

In the message text:

mm/dd/yy

The date (month/day/year) of the message.

hh:mm:ss

The time (hours:minutes:seconds) of the message.

Example

Following is an example of the messages displayed when the stack has ended while the listener was processing data.

```
EZY1369E 01/10/06 12:59:32 LISTENER CSKL 10295 IS DELAYED, STACK TCPCS IS UNAVAILABLE
EZY1363I 01/10/06 12:59:33 LISTENER CSKL 10295 HAD 5 THREADS ACTIVE WHEN STACK TCPCS ENDED
EZY1367I 01/10/06 12:59:33 SOCK# IP ADDRESS PORT CHILD
```

EZY1368I	01/10/06	12:59:33	2	10.11.1.2	10245	PAYR
EZY1368I	01/10/06	12:59:33	12	2001:DB8:10::11:2:1	21089	
EZY1368I	01/10/06	12:59:33	15	10.91.1.1	10245	INVN
EZY1368I	01/10/06	12:59:33	19	10.81.1.1	21212	ACCT
EZY1368I	01/10/06	12:59:33	999	2001:DB8:10::11:1:2	00901	ORDR

System action

Processing continues.

Operator response

No action needed.

User response

No action needed.

System programmer response

No action needed.

Problem determination

Not applicable.

Source

z/OS Communications Server TCP/IP: CICS Socket Interface and API

Module

EZACIC02

Routing code

10

Descriptor code

12

Automation

This message is sent to the CICS transient data queue that is specified by the IP CICS Sockets ERRORTD configuration option.

EZY1368I: *mm/dd/yy hh:mm:ss sock# ipaddr port tran*

Explanation

The listener was processing client connections when its TCP/IP stack ended. This message is issued when the listener has accepted sockets that were not taken by child server tasks. One EZY1368I message is issued for each client connection that is being processed.

In the message text:

mm/dd/yy

The date (month/day/year) of the message.

hh:mm:ss

The time (hours:minutes:seconds) of the message.

sock#

The listener's socket number.

ipaddr

The client's IP address.

port

The client's port number.

tran

The child server's transaction ID. A blank child server transaction ID indicates that the ID has not yet been determined.

Example

Following is an example of the messages displayed when the stack has ended while the listener was processing data.

```
EZY1369E 01/10/06 12:59:32 LISTENER CSKL 10295 IS DELAYED, STACK TCPCS IS UNAVAILABLE
EZY1363I 01/10/06 12:59:33 LISTENER CSKL 10295 HAD 5 THREADS ACTIVE WHEN STACK TCPCS ENDED
EZY1367I 01/10/06 12:59:33 SOCK# IP ADDRESS PORT CHILD
EZY1368I 01/10/06 12:59:33 2 10.11.1.2 10245 PAYR
EZY1368I 01/10/06 12:59:33 12 2001:DB8:10::11:2:1 21089
EZY1368I 01/10/06 12:59:33 15 10.91.1.1 10245 INVN
EZY1368I 01/10/06 12:59:33 19 10.81.1.1 21212 ACCT
EZY1368I 01/10/06 12:59:33 999 2001:DB8:10::11:1:2 00901 ORDR
```

System action

Processing continues.

Operator response

No action needed.

User response

No action needed.

System programmer response

No action needed.

Problem determination

Not applicable.

Source

z/OS Communications Server TCP/IP: CICS Socket Interface and API

Module

EZACIC02

Routing code

10

Descriptor code

12

Automation

This message is sent to the CICS transient data queue that is specified by the IP CICS Sockets ERRORTD configuration option.

EZY1369E: mm/dd/yy hh:mm:ss LISTENER *transactionid* *taskno* IS DELAYED, STACK *tcpname* IS UNAVAILABLE.

Explanation

The TCP/IP stack assigned to the specified listener is not active.

In the message text:

mm/dd/yy

The date (month/day/year) of the message.

hh:mm:ss

The time (hours:minutes:seconds) of the message.

transactionid

The listener's transaction ID.

taskno

The task number assigned by CICS.

tcpname

The TCP/IP procedure name with which the listener had affinity.

Example

The following is an example of the messages displayed when the stack has ended while the listener was processing data.

```
EZY1369E 01/10/06 12:59:32 LISTENER CSKL 10295 IS DELAYED, STACK TCPCS IS UNAVAILABLE
EZY1363I 01/10/06 12:59:33 LISTENER CSKL 10295 HAD 5 THREADS ACTIVE WHEN STACK TCPCS ENDED
EZY1367I 01/10/06 12:59:33 SOCK# IP ADDRESS PORT CHILD
EZY1368I 01/10/06 12:59:33 2 10.11.1.2 10245 PAYR
EZY1368I 01/10/06 12:59:33 12 2001:DB8:10::11:2:1 21089
EZY1368I 01/10/06 12:59:33 15 10.91.1.1 10245 INVN
EZY1368I 01/10/06 12:59:33 19 10.81.1.1 21212 ACCT
EZY1368I 01/10/06 12:59:33 999 2001:DB8:10::11:1:2 00901 ORDR
```

System action

The listener releases any resources and connects to the TCP/IP stack specified by the *tcpname* value. If the connection fails because the stack is not active, then the listener delays using the time value specified by its RTYTIME configuration option and attempts to reconnect. See the [“TYPE=LISTENER setting for the TYPE parameter” on page 50](#) for information about setting the listener's RTYTIME value.

Operator response

Start or restart the TCP/IP address space specified by the *tcpname* value.

User response

No action needed.

System programmer response

No action needed.

Problem determination

Not applicable.

Source

z/OS Communications Server TCP/IP: CICS Socket Interface and API

Module

EZACIC02

Routing code

1

Descriptor code

2

Automation

This message is sent to the system console and to the CICS transient data queue that is specified by the IP CICS Sockets ERRORTD configuration option.

EZY1370I: *mm/dd/yy hh:mm:ss* LISTENER *transactionid* NUMSOCK *numsock* IS EQUAL TO OR GREATER THAN MAXFILEPROC *maxfileproc*

Explanation

A listener startup run-time check determined that the z/OS UNIX System Services MAXFILEPROC value was less than or equal to the listener's NUMSOCK value. The listener's accept processing pauses when the number of sockets that are supported by this listener exceeds the MAXFILEPROC value. No new connections are accepted until the number of sockets that are supported by this listener is less than the MAXFILEPROC value.

In the message text:

mm/dd/yy

The date (month/day/year) of the message.

hh:mm:ss

The time (hours:minutes:seconds) of the message.

transactionid

The listener's transaction ID.

numsock

The number of sockets supported by this listener.

maxfileproc

The maximum number of descriptors for files, sockets, directories, and any other file-system objects that can be concurrently active or allocated by a single process.

Example

```
EZY1370I 01/19/06 10:07:33 LISTENER CSKL NUMSOCK 2000 IS EQUAL TO OR GREATER THAN MAXFILEPROC 250
```

System action

Processing continues.

Operator response

Contact the system programmer.

User response

No action needed.

System programmer response

Perform one of the following actions:

- Set the NUMSOCK value to be less than the MAXFILEPROC value using either the EZACICD macro or the EZAC configuration transaction, and then restart the listener. See the information about “[Configuring the CICS TCP/IP environment](#)” on page 44 for more information about using the EZACICD macro and the EZAC configuration transaction.
- Set the MAXFILEPROC value to be greater than the NUMSOCK value using the SETOMVS system command. See the [SETOMVS command](#) information in [z/OS MVS System Commands](#) for information about dynamically changing the MAXFILEPROC option that z/OS UNIX System Services is currently using.

Problem determination

Not applicable.

Source

z/OS Communications Server TCP/IP: CICS Socket Interface and API

Module

EZACIC02

Routing code

10

Descriptor code

12

Automation

This message is sent to the CICS transient data queue that is specified by the IP CICS Sockets ERRORTD configuration option.

**EZY1371E: *mm/dd/yy hh:mm:ss* AUTOMATIC APPLDATA REGISTRATION
FAILED FOR TRANSACTION= *transactionid* TASKNO= *taskno* ERRNO= *errno***

Explanation

The automatic registration of application data failed for the reason described by the *errno* value.

In the message text:

mm/dd/yy

The date (month/day/year) of the message.

hh:mm:ss

The time (hours:minutes:seconds) of the message.

transactionid

The listener's transaction ID.

taskno

The task number assigned by CICS.

errno

errno is the UNIX System Services return code. These return codes are listed in the sockets and sockets extended return codes (ERRNOs) in [z/OS Communications Server: IP and SNA Codes](#).

Example

```
EZY1371E 07/01/06 10:07:33 AUTOMATIC APPLDATA REGISTRATION FAILED FOR  
TRANSACTION= CSKL TASKNO= 00000022L ERRNO= 55
```

System action

The application continues.

Operator response

Contact the system programmer.

User response

Not applicable.

System programmer response

See the information about [automatically registering application data](#) in [z/OS Communications Server: IP Programmer's Guide and Reference](#) for information about the socket commands affected by the automatic registration of application data.

errno is the UNIX System Services return code. See the sockets and sockets extended return codes (ERRNOs) information in [z/OS Communications Server: IP and SNA Codes](#) for the action that you should take based on the SIOCSAPPLDATA IOCTL socket command return code.

Problem determination

See the system programmer response.

Source

z/OS Communications Server TCP/IP: CICS Socket Interface and API

Module

EZACIC01, EZACIC02

Routing code

10

Descriptor code

12

Automation

This message is sent to the CICS transient data queue that is specified by the IP CICS Sockets ERRORTD configuration option.

Appendix E. Sample programs

This topic contains the following samples:

- EZACICSC - An IPv4 child server, see [“EZACICSC” on page 485](#)
- EZACICSS - An IPv4 iterative server, see [“EZACICSS” on page 491](#)
- EZACIC6C - An IPv6 child server, see [“EZACIC6C” on page 507](#)
- EZACIC6S - An IPv6 iterative server, see [“EZACIC6S” on page 516](#)
- EZACICAC - An assembler child server, see [“EZACICAC ” on page 535](#)
- EZACICAS - An assembler iterative server, see [“EZACICAS ” on page 541](#)
- SELECTEX - The SELECTEX socket call, see [“SELECTEX” on page 554](#)

EZACICSC

The following COBOL socket program is in the SEZAINST data set.

Figure 178. EZACICSC IPv4 child server sample

```
*****
*
* Communications Server for z/OS,   Version 1, Release 9
*
*
* Copyright:   Licensed Materials - Property of IBM
*
*              "Restricted Materials of IBM"
*
*              5694-A01
*
*              Copyright IBM Corp. 1993, 2007
*
*              US Government Users Restricted Rights -
*              Use, duplication or disclosure restricted by
*              GSA ADP Schedule Contract with IBM Corp.
*
* Status:      CSV1R9
*
* $MOD(EZACICSC),COMP(CICS),PROD(TCPIP):
*
*****
* $SEG(EZACICSC)
*-----*
*
* Module Name : EZACICSC
*
* Description :
*
*       This is a sample CICS/TCP application program. It issues
*       TAKESOCKET to obtain the socket passed from MASTER
*       SERVER and perform dialog function with CLIENT program.
*
*-----*
*
* IDENTIFICATION DIVISION.
* PROGRAM-ID. EZACICSC.
* ENVIRONMENT DIVISION.
* DATA DIVISION.
*
* WORKING-STORAGE SECTION.
* 77 TASK-START                PIC X(40)
*   VALUE IS 'TASK STARTING THRU CICS/TCPIP INTERFACE '.
* 77 TAKE-ERR                  PIC X(24)
*   VALUE IS 'TAKESOCKET FAIL'.
* 77 TAKE-SUCCESS            PIC X(24)
*   VALUE IS 'TAKESOCKET SUCCESSFUL'.
* 77 READ-ERR                  PIC X(24)
*   VALUE IS 'READ SOCKET FAIL'.
```

```

77 READ-SUCCESS PIC X(24)
   VALUE IS ' READ SOCKET SUCCESSFUL '
77 WRITE-ERR PIC X(24)
   VALUE IS ' WRITE SOCKET FAIL '
77 WRITE-END-ERR PIC X(32)
   VALUE IS ' WRITE SOCKET FAIL - PGM END MSG '
77 WRITE-SUCCESS PIC X(25)
   VALUE IS ' WRITE SOCKET SUCCESSFUL '
77 CLOS-ERR PIC X(24)
   VALUE IS ' CLOSE SOCKET FAIL '
77 CLOS-SUCCESS PIC X(24)
   VALUE IS ' CLOSE SOCKET SUCCESSFUL '
77 INVREQ-ERR PIC X(24)
   VALUE IS ' INTERFACE IS NOT ACTIVE '
77 IOERR-ERR PIC X(24)
   VALUE IS ' IOERR OCCURRS '
77 LENGERR-ERR PIC X(24)
   VALUE IS ' LENGERR ERROR '
77 ITEMERR-ERR PIC X(24)
   VALUE IS ' ITEMERR ERROR '
77 NOSPACE-ERR PIC X(24)
   VALUE IS ' NOSPACE CONDITION '
77 QIDERR-ERR PIC X(24)
   VALUE IS ' QIDERR CONDITION '
77 ENDDATA-ERR PIC X(30)
   VALUE IS ' RETRIEVE DATA CAN NOT BE FOUND '
77 WRKEND PIC X(20)
   VALUE ' CONNECTION END '
77 WRITE-SW PIC X(1)
   VALUE ' N '
77 FORCE-ERROR-MSG PIC X(1)
   VALUE ' N '
01 SOKET-FUNCTIONS.
   02 SOKET-ACCEPT PIC X(16) VALUE 'ACCEPT '
   02 SOKET-BIND PIC X(16) VALUE 'BIND '
   02 SOKET-CLOSE PIC X(16) VALUE 'CLOSE '
   02 SOKET-CONNECT PIC X(16) VALUE 'CONNECT '
   02 SOKET-FCNTL PIC X(16) VALUE 'FCNTL '
   02 SOKET-GETCLIENTID PIC X(16) VALUE 'GETCLIENTID '
   02 SOKET-GETHOSTBYADDR PIC X(16) VALUE 'GETHOSTBYADDR '
   02 SOKET-GETHOSTBYNAME PIC X(16) VALUE 'GETHOSTBYNAME '
   02 SOKET-GETHOSTID PIC X(16) VALUE 'GETHOSTID '
   02 SOKET-GETHOSTNAME PIC X(16) VALUE 'GETHOSTNAME '
   02 SOKET-GETPEERNAME PIC X(16) VALUE 'GETPEERNAME '
   02 SOKET-GETSOCKNAME PIC X(16) VALUE 'GETSOCKNAME '
   02 SOKET-GETSOCKOPT PIC X(16) VALUE 'GETSOCKOPT '
   02 SOKET-GIVESOCKET PIC X(16) VALUE 'GIVESOCKET '
   02 SOKET-INITAPI PIC X(16) VALUE 'INITAPI '
   02 SOKET-IOCTL PIC X(16) VALUE 'IOCTL '
   02 SOKET-LISTEN PIC X(16) VALUE 'LISTEN '
   02 SOKET-READ PIC X(16) VALUE 'READ '
   02 SOKET-RECV PIC X(16) VALUE 'RECV '
   02 SOKET-RCVFROM PIC X(16) VALUE 'RCVFROM '
   02 SOKET-SELECT PIC X(16) VALUE 'SELECT '
   02 SOKET-SEND PIC X(16) VALUE 'SEND '
   02 SOKET-SENDTO PIC X(16) VALUE 'SENDTO '
   02 SOKET-SETSOCKOPT PIC X(16) VALUE 'SETSOCKOPT '
   02 SOKET-SHUTDOWN PIC X(16) VALUE 'SHUTDOWN '
   02 SOKET-SOCKET PIC X(16) VALUE 'SOCKET '
   02 SOKET-TAKESOCKET PIC X(16) VALUE 'TAKESOCKET '
   02 SOKET-TERMAPI PIC X(16) VALUE 'TERMAPI '
   02 SOKET-WRITE PIC X(16) VALUE 'WRITE '

01 WRKMSG.
   02 WRKM PIC X(14)
      VALUE IS ' DATA RECEIVED '

*-----*
* program's variables *
*-----*
77 SUBTRACE PIC X(8) VALUE 'CONTRACE '
77 RESPONSE PIC 9(9) COMP.
77 TASK-FLAG PIC X(1) VALUE '0 '
77 TAKE-SOCKET PIC 9(8) COMP.
77 SOCKID PIC 9(4) COMP.
77 SOCKID-FWD PIC 9(8) COMP.
77 ERRNO PIC 9(8) COMP.
77 RETCODE PIC S9(8) COMP.
77 AF-INET PIC 9(8) COMP VALUE 2.
01 TCP-BUF.
   05 TCP-BUF-H PIC X(3) VALUE IS SPACES.
   05 TCP-BUF-DATA PIC X(197) VALUE IS SPACES.
77 TCPLNG PIC 9(8) COMP.

```



```

77 RECV-FLAG          PIC 9(8) COMP.
77 CLENG              PIC 9(4) COMP.
77 CNT                PIC 9(4) COMP.

01 ZERO-PARM          PIC X(16) VALUE LOW-VALUES.
01 DUMMY-MASK REDEFINES ZERO-PARM.
05 DUMYMASK           PIC X(8).
05 ZERO-FLD-8         PIC X(8).
01 ZERO-FLD REDEFINES ZERO-PARM.
05 ZERO-FWRD         PIC 9(8) COMP.
05 ZERO-HWRD         PIC 9(4) COMP.
05 ZERO-DUM          PIC X(10).

01 TD-MSG.
03 TASK-LABEL        PIC X(07) VALUE 'TASK # '.
03 TASK-NUMBER       PIC 9(07).
03 TASK-SEP          PIC X VALUE ' '.
03 CICS-MSG-AREA     PIC X(70).
01 CICS-ERR-AREA.
03 ERR-MSG           PIC X(24).
03 SOCK-HEADER       PIC X(08) VALUE ' SOCKET='.
03 ERR-SOCKET        PIC 9(05).
03 RETC-HEADER       PIC X(09) VALUE ' RETCDE=-'.
03 ERR-RETCODE       PIC 9(05).
03 ERRN-HEADER       PIC X(07) VALUE ' ERRNO='.
03 ERR-ERRNO        PIC 9(05).
*
01 CLIENTID-LSTN.
05 CID-DOMAIN-LSTN   PIC 9(8) COMP.
05 CID-NAME-LSTN     PIC X(8).
05 CID-SUBTASKNAME-LSTN PIC X(8).
05 CID-RES-LSTN      PIC X(20).

01 CLIENTID-APPL.
05 CID-DOMAIN-APPL   PIC 9(8) COMP.
05 CID-NAME-APPL     PIC X(8).
05 CID-SUBTASKNAME-APPL PIC X(8).
05 CID-RES-APPL      PIC X(20).

01 TCPSOCKET-PARM.
05 GIVE-TAKE-SOCKET  PIC 9(8) COMP.
05 LSTN-NAME         PIC X(8).
05 LSTN-SUBTASKNAME PIC X(8).
05 CLIENT-IN-DATA    PIC X(35).
05 THREADSAFE-INDICATOR PIC X(1).
05 INTERFACE-IS-THREADSAFE VALUE '1'.
05 SOCKADDR-IN.
10 SIN-FAMILY        PIC 9(4) COMP.
10 SIN-PORT          PIC 9(4) COMP.
10 SIN-ADDR          PIC 9(8) COMP.
10 SIN-ZERO          PIC X(8).

```

PROCEDURE DIVISION.

MOVE 'Y' TO WRITE-SW.

```

EXEC CICS HANDLE CONDITION INVREQ (INVREQ-ERR-SEC)
                          IOERR (IOERR-SEC)
                          ENDDATA (ENDDATA-SEC)
                          LENGERR (LENGERR-SEC)
                          NOSPACE (NOSPACE-ERR-SEC)
                          QIDERR (QIDERR-SEC)
                          ITEMERR (ITEMERR-SEC)

END-EXEC.

```

```

PERFORM INITIAL-SEC THRU INITIAL-SEC-EXIT.
PERFORM TAKESOCKET-SEC THRU TAKESOCKET-SEC-EXIT.

```

```

MOVE '0' TO TASK-FLAG.
PERFORM CLIENT-TASK THRU CLIENT-TASK-EXIT
  VARYING CNT FROM 1 BY 1 UNTIL TASK-FLAG = '1'.

```

CLOSE-SOCK.

```

*-----*
*
* CLOSE 'accept descriptor'
*
*-----*

```

CALL 'EZASOKET' USING SOKET-CLOSE SOCKID

```

ERRNO RETCODE.

IF RETCODE < 0 THEN
  MOVE 'Y' TO WRITE-SW FORCE-ERROR-MSG
  MOVE CLOS-ERR TO ERR-MSG
  MOVE SOCKID TO ERR-SOCKET
  MOVE RETCODE TO ERR-RETCODE
  MOVE ERRNO TO ERR-ERRNO
  MOVE CICS-ERR-AREA TO CICS-MSG-AREA
ELSE
  MOVE CLOS-SUCCESS TO CICS-MSG-AREA.
  PERFORM WRITE-CICS THRU WRITE-CICS-EXIT.

PGM-EXIT.

IF RETCODE < 0 THEN
  EXEC CICS ABEND ABCODE('TCPC') END-EXEC.

MOVE SPACES TO CICS-MSG-AREA.
MOVE 'END OF EZACICSC PROGRAM' TO CICS-MSG-AREA.
PERFORM WRITE-CICS THRU WRITE-CICS-EXIT.
EXEC CICS RETURN END-EXEC.
GOBACK.

*-----*
*
* RECEIVE PASSED PARAMETER WHICH ARE CID
*
*-----*
INITIAL-SEC.

MOVE SPACES TO CICS-MSG-AREA.
MOVE 50 TO CLENG.
MOVE 'TCPC TRANSACTION START UP      ' TO CICS-MSG-AREA.
PERFORM WRITE-CICS THRU WRITE-CICS-EXIT.

MOVE 72 TO CLENG.

EXEC CICS RETRIEVE INTO(TCPCKET-PARM) LENGTH(CLENG)
END-EXEC.

INITIAL-SEC-EXIT.
EXIT.

*-----*
*
* Perform TCP SOCKET functions by passing socket command to
* EZASOKET routine. SOCKET command are translated to pre-
* define integer.
*
*-----*

TAKESOCKET-SEC.

*-----*
*
* Issue 'TAKESOCKET' call to acquire a socket which was
* given by the LISTENER program.
*
*-----*

MOVE AF-INET TO CID-DOMAIN-LSTN CID-DOMAIN-APPL.

MOVE LSTN-NAME TO CID-NAME-LSTN.
MOVE LSTN-SUBTASKNAME TO CID-SUBTASKNAME-LSTN.
MOVE GIVE-TAKE-SOCKET TO TAKE-SOCKET SOCKID SOCKID-FWD.
CALL 'EZASOKET' USING SOKET-TAKESOCKET SOCKID
CLIENTID-LSTN ERRNO RETCODE.

IF RETCODE < 0 THEN
  MOVE 'Y' TO WRITE-SW FORCE-ERROR-MSG
  MOVE TAKE-ERR TO ERR-MSG
  MOVE SOCKID TO ERR-SOCKET
  MOVE RETCODE TO ERR-RETCODE
  MOVE ERRNO TO ERR-ERRNO
  MOVE CICS-ERR-AREA TO CICS-MSG-AREA
  PERFORM WRITE-CICS THRU WRITE-CICS-EXIT
  GO TO PGM-EXIT
ELSE
  MOVE SPACES TO CICS-MSG-AREA
  MOVE TAKE-SUCCESS TO CICS-MSG-AREA

```

```

        PERFORM WRITE-CICS THRU WRITE-CICS-EXIT.

        MOVE RETCODE TO SOCKID.
        MOVE SPACES TO TCP-BUF.
        MOVE TASK-START TO TCP-BUF.
        MOVE 50 TO TCPLENG.
*
*   REMOVE FOLLOWING STATEMENT IF USING EBCDIC CLIENT
*
        CALL 'EZACIC04' USING TCP-BUF TCPLENG.

        CALL 'EZASOKET' USING SOKET-WRITE SOCKID TCPLENG
            TCP-BUF ERRNO RETCODE.

        IF RETCODE < 0 THEN
            MOVE 'Y' TO WRITE-SW FORCE-ERROR-MSG
            MOVE WRITE-ERR TO ERR-MSG
            MOVE SOCKID TO ERR-SOCKET
            MOVE RETCODE TO ERR-RETCODE
            MOVE ERRNO TO ERR-ERRNO
            MOVE CICS-ERR-AREA TO CICS-MSG-AREA
            PERFORM WRITE-CICS THRU WRITE-CICS-EXIT
            GO TO PGM-EXIT
        ELSE
            MOVE WRITE-SUCCESS TO CICS-MSG-AREA
            PERFORM WRITE-CICS THRU WRITE-CICS-EXIT.
        TAKESOCKET-SEC-EXIT.
        EXIT.

CLIENT-TASK.
*-----*
*
* Issue 'RECV' socket to receive input data from client
*
*-----*

        MOVE LOW-VALUES TO TCP-BUF.
        MOVE 200 TO TCPLENG.
        MOVE ZEROS TO RECV-FLAG.

        CALL 'EZASOKET' USING SOKET-RECV SOCKID
            RECV-FLAG TCPLENG TCP-BUF ERRNO RETCODE.

        IF RETCODE < 0 THEN
            MOVE 'Y' TO WRITE-SW FORCE-ERROR-MSG
            MOVE READ-ERR TO ERR-MSG
            MOVE SOCKID TO ERR-SOCKET
            MOVE RETCODE TO ERR-RETCODE
            MOVE ERRNO TO ERR-ERRNO
            MOVE CICS-ERR-AREA TO CICS-MSG-AREA
            PERFORM WRITE-CICS THRU WRITE-CICS-EXIT
            GO TO PGM-EXIT
        ELSE
            MOVE READ-SUCCESS TO CICS-MSG-AREA
            PERFORM WRITE-CICS THRU WRITE-CICS-EXIT.

*
*   REMOVE FOLLOWING STATEMENT IF USING EBCDIC CLIENT
*
        CALL 'EZACIC05' USING TCP-BUF TCPLENG.

*
*   DETERMINE WHETHER THE CLIENT IS FINISHED SENDING DATA
*
        IF TCP-BUF-H = 'END' OR TCP-BUF-H = 'end' THEN
            MOVE '1' TO TASK-FLAG
            PERFORM CLIENT-TALK-END THRU CLIENT-TALK-END-EXIT
            GO TO CLIENT-TASK-EXIT.

        IF RETCODE = 0 THEN
            MOVE '1' TO TASK-FLAG
            GO TO CLIENT-TASK-EXIT.
*-----*
** ECHO RECEIVING DATA
*-----*
        MOVE TCP-BUF TO CICS-MSG-AREA.
        PERFORM WRITE-CICS THRU WRITE-CICS-EXIT.

        MOVE RETCODE TO TCPLENG.

```

```

*
* REMOVE FOLLOWING STATEMENT IF USING EBCDIC CLIENT
*
CALL 'EZACIC04' USING TCP-BUF TCPLENG.
CALL 'EZASOKET' USING SOKET-WRITE SOCKID TCPLENG
TCP-BUF ERRNO RETCODE.

IF RETCODE < 0 THEN
MOVE 'Y' TO WRITE-SW FORCE-ERROR-MSG
MOVE WRITE-ERR TO ERR-MSG
MOVE SOCKID TO ERR-SOCKET
MOVE RETCODE TO ERR-RETCODE
MOVE ERRNO TO ERR-ERRNO
MOVE CICS-ERR-AREA TO CICS-MSG-AREA
PERFORM WRITE-CICS THRU WRITE-CICS-EXIT
GO TO PGM-EXIT
ELSE
MOVE WRITE-SUCCESS TO CICS-MSG-AREA
PERFORM WRITE-CICS THRU WRITE-CICS-EXIT.

CLIENT-TASK-EXIT.
EXIT.

WRITE-CICS.
MOVE 78 TO CLENG.
MOVE EIBTASKN TO TASK-NUMBER.
IF WRITE-SW = 'Y' THEN
IF INTERFACE-IS-THREADSAFE THEN
IF FORCE-ERROR-MSG = 'Y' THEN
EXEC CICS WRITEQ TD QUEUE('CSMT') FROM(TD-MSG)
LENGTH(CLENG) NOHANDLE
END-EXEC
ELSE
NEXT SENTENCE
ELSE
EXEC CICS WRITEQ TD QUEUE('CSMT') FROM(TD-MSG)
LENGTH(CLENG) NOHANDLE
END-EXEC
ELSE
NEXT SENTENCE.
MOVE SPACES TO CICS-MSG-AREA.

WRITE-CICS-EXIT.
EXIT.

CLIENT-TALK-END.
MOVE LOW-VALUES TO TCP-BUF.
MOVE WRKEND TO TCP-BUF CICS-MSG-AREA.

MOVE 50 TO TCPLENG.

*
* REMOVE FOLLOWING STATEMENT IF USING EBCDIC CLIENT
*
CALL 'EZACIC04' USING TCP-BUF TCPLENG.
CALL 'EZASOKET' USING SOKET-WRITE SOCKID TCPLENG
TCP-BUF ERRNO RETCODE.

IF RETCODE < 0 THEN
MOVE 'Y' TO WRITE-SW FORCE-ERROR-MSG
MOVE WRITE-END-ERR TO ERR-MSG
MOVE SOCKID TO ERR-SOCKET
MOVE RETCODE TO ERR-RETCODE
MOVE ERRNO TO ERR-ERRNO
MOVE CICS-ERR-AREA TO CICS-MSG-AREA
PERFORM WRITE-CICS THRU WRITE-CICS-EXIT
GO TO PGM-EXIT.

CLIENT-TALK-END-EXIT.
EXIT.

INVREQ-ERR-SEC.
MOVE 'Y' TO WRITE-SW FORCE-ERROR-MSG
MOVE INVREQ-ERR TO CICS-MSG-AREA.
PERFORM WRITE-CICS THRU WRITE-CICS-EXIT.
GO TO PGM-EXIT.
IOERR-SEC.
MOVE 'Y' TO WRITE-SW FORCE-ERROR-MSG
MOVE IOERR-ERR TO CICS-MSG-AREA.
PERFORM WRITE-CICS THRU WRITE-CICS-EXIT.

```

```

GO TO PGM-EXIT.
LENGERR-SEC.
  MOVE 'Y' TO WRITE-SW FORCE-ERROR-MSG
  MOVE LENGERR-ERR TO CICS-MSG-AREA.
  PERFORM WRITE-CICS THRU WRITE-CICS-EXIT.
  GO TO PGM-EXIT.
NOSPACE-ERR-SEC.
  MOVE 'Y' TO WRITE-SW FORCE-ERROR-MSG
  MOVE NOSPACE-ERR TO CICS-MSG-AREA.
  PERFORM WRITE-CICS THRU WRITE-CICS-EXIT.
  GO TO PGM-EXIT.
QIDERR-SEC.
  MOVE 'Y' TO WRITE-SW FORCE-ERROR-MSG
  MOVE QIDERR-ERR TO CICS-MSG-AREA.
  PERFORM WRITE-CICS THRU WRITE-CICS-EXIT.
  GO TO PGM-EXIT.
ITEMERR-SEC.
  MOVE 'Y' TO WRITE-SW FORCE-ERROR-MSG
  MOVE ITEMERR-ERR TO CICS-MSG-AREA.
  PERFORM WRITE-CICS THRU WRITE-CICS-EXIT.
  GO TO PGM-EXIT.
ENDDATA-SEC.
  MOVE 'Y' TO WRITE-SW FORCE-ERROR-MSG
  MOVE ENDDATA-ERR TO CICS-MSG-AREA.
  PERFORM WRITE-CICS THRU WRITE-CICS-EXIT.
  GO TO PGM-EXIT.

```

EZACICSS

The following COBOL socket program is in the SEZAINST data set.

Figure 179. EZACICSS IPv4 iterative server sample

```

*****
*
* Communications Server for z/OS,   Version 1, Release 9
*
*
* Copyright:   Licensed Materials - Property of IBM
*
*              "Restricted Materials of IBM"
*
*              5694-A01
*
*              Copyright IBM Corp. 1977, 2007
*
*              US Government Users Restricted Rights -
*              Use, duplication or disclosure restricted by
*              GSA ADP Schedule Contract with IBM Corp.
*
* Status:      CSV1R9
*
* $MOD(EZACICSS),COMP(CICS),PROD(TCPIP):
*
*****
* $SEG(EZACICSS)
*-----*
*
* Module Name :  EZACICSS
*
* Description :  This is a sample server program.  It
*               establishes a connection between
*               CICS & TCPIP to process client requests.
*               The server expects the data received
*               from a host / workstation in ASCII.
*               All responses sent by the server to the
*               CLIENT are in ASCII.  This server is
*               started using CECI or via the LISTENER.
*
*               CECI START TRANS(xxxx) from(yyyy)
*               where xxxx is this servers CICS
*               transaction id and yyyy is the
*               port this server will listen on.
*
*               It processes request received from
*               clients for updates to a hypothetical
*               DB2 database.  Any and all references to

```

```

*          DB2 or SQL are commented out as this          *
*          sample is to illustrate CICS Sockets.          *
*
*          A client connection is broken when the        *
*          client transmits and 'END' token to the        *
*          server. All processing is terminated           *
*          when an 'TRM' token is received from a        *
*          client.                                        *
*
*-----*
* LOGIC      : 1. Establish server setup                  *
*              a). TRUE Active                          *
*              b). CAF Active                          *
*              2. Assign user specified port at          *
*                 start up or use the program           *
*                 declared default.                    *
*              3. Initialize the Socket.                *
*              4. Bind the port.                        *
*              5. Set Bit Mask to accept incoming       *
*                 read request.                        *
*              6. Process request from clients.         *
*                 a). Wait for connection              *
*                 b). Process request until 'END'       *
*                    token is receive from client.     *
*                 c). Close connection.                *
*                 note: The current client request     *
*                    ends when the client closes       *
*                    the connection or sends an        *
*                    'END' token to the server.        *
*                 d). If the last request received by  *
*                    the current client is not a       *
*                    request to the server to          *
*                    terminate processing ('TRM'),     *
*                    continue at step 6A.              *
*              7. Close the server's connection.       *
*
*-----*
IDENTIFICATION DIVISION.
PROGRAM-ID. EZACICSS.
ENVIRONMENT DIVISION.
DATA DIVISION.

WORKING-STORAGE SECTION.

*-----*
* MESSAGES                                           *
*-----*

77 BITMASK-ERR          PIC X(30)
   VALUE IS 'BITMASK CONVERSION - FAILED' .
77 ENDDATA-ERR         PIC X(30)
   VALUE IS 'RETRIEVE DATA CAN NOT BE FOUND' .
77 INIT-MSG            PIC X(30)
   VALUE IS 'INITAPI COMPLETE' .
77 IOERR-ERR           PIC X(30)
   VALUE IS 'IOERR OCCURRS' .
77 ITEMERR-ERR        PIC X(30)
   VALUE IS 'ITEMERR ERROR' .
77 KEYWORD-ERR        PIC X(30)
   VALUE IS 'INPUT KEYWORD ERROR' .
77 LENGERR-ERR        PIC X(30)
   VALUE IS 'LENGERR ERROR' .
77 NOSPACE-ERR        PIC X(30)
   VALUE IS 'NOSPACE CONDITION' .
77 NULL-DATA          PIC X(30)
   VALUE IS 'READ NULL DATA' .
77 QIDERR-ERR         PIC X(30)
   VALUE IS 'TRANSIENT DATA QUEUE NOT FOUND' .
77 START-MSG          PIC X(30)
   VALUE IS 'SERVER PROGRAM IS STARTING' .
77 TCP-EXIT-ERR       PIC X(30)
   VALUE IS 'SERVER STOPPED:TRUE NOT ACTIVE' .
77 TCP-SERVER-OFF     PIC X(30)
   VALUE IS 'SERVER IS ENDING' .
77 TS-INVREQ-ERR      PIC X(30)
   VALUE IS 'WRITE TS FAILED - INVREQ' .
77 TS-NOTAUTH-ERR     PIC X(30)
   VALUE IS 'WRITE TS FAILED - NOTAUTH' .
77 TS-IOERR-ERR       PIC X(30)
   VALUE IS 'WRITE TS FAILED - IOERR' .

```

```

77 WRITETS-ERR                                PIC X(30)
   VALUE IS 'WRITE TS FAILED ' .

01 ACCEPT-ERR.
05 ACCEPT-ERR-M                                PIC X(25)
   VALUE IS 'SOCKET CALL FAIL - ACCEPT' .
05 FILLER                                       PIC X(9)
   VALUE IS ' ERRNO = ' .
05 ACCEPT-ERRNO                                PIC 9(8) DISPLAY.
05 FILLER                                       PIC X(13)
   VALUE IS SPACES.

01 BIND-ERR.
05 BIND-ERR-M                                PIC X(25)
   VALUE IS 'SOCKET CALL FAIL - BIND' .
05 FILLER                                       PIC X(9)
   VALUE IS ' ERRNO = ' .
05 BIND-ERRNO                                  PIC 9(8) DISPLAY.
05 FILLER                                       PIC X(13)
   VALUE IS SPACES.

01 CLOSE-ERR.
05 CLOSE-ERR-M                                PIC X(30)
   VALUE IS 'CLOSE SOCKET DESCRIPTOR FAILED' .
05 FILLER                                       PIC X(9)
   VALUE IS ' ERRNO = ' .
05 CLOSE-ERRNO                                PIC 9(8) DISPLAY.
05 FILLER                                       PIC X(8)
   VALUE IS SPACES.

01 DB2END.
05 FILLER                                       PIC X(16)
   VALUE IS 'DB2 PROCESS ENDS' .
05 FILLER                                       PIC X(39)
   VALUE IS SPACES.

01 DB2-CAF-ERR.
05 FILLER                                       PIC X(24)
   VALUE IS 'CONNECT NOT ESTABLISHED ' .
05 FILLER                                       PIC X(30)
   VALUE IS 'ATTACHMENT FACILITY NOT ACTIVE' .
05 FILLER                                       PIC X(1)
   VALUE IS SPACES.

01 DB2MSG.
05 DB2-ACT                                    PIC X(6) VALUE SPACES.
   88 DAINsert                                VALUE 'INSERT' .
   88 DADELETE                                VALUE 'DELETE' .
   88 DAUPDATE                                VALUE 'UPDATE' .
05 DB2M                                       PIC X(18)
   VALUE IS ' COMPLETE - #ROWS ' .
05 DB2M-VAR                                    PIC X(10) .
05 FILLER                                       PIC X(2) VALUE SPACES.
05 DB2CODE                                    PIC -(9)9 .
05 FILLER                                       PIC X(11)
   VALUE IS SPACES.

01 INITAPI-ERR.
05 INITAPI-ERR-M                                PIC X(35)
   VALUE IS 'INITAPI FAILED - SERVER NOT STARTED' .
05 FILLER                                       PIC X(9)
   VALUE IS ' ERRNO = ' .
05 INIT-ERRNO                                  PIC 9(8) DISPLAY.
05 FILLER                                       PIC X(3)
   VALUE IS SPACES.

01 LISTEN-ERR.
05 LISTEN-ERR-M                                PIC X(25)
   VALUE IS 'SOCKET CALL FAIL - LISTEN' .
05 FILLER                                       PIC X(9)
   VALUE IS ' ERRNO = ' .
05 LISTEN-ERRNO                                PIC 9(8) DISPLAY.
05 FILLER                                       PIC X(13)
   VALUE IS SPACES.

01 LISTEN-SUCC.
05 FILLER                                       PIC X(34)
   VALUE IS 'READY TO ACCEPT REQUEST ON PORT: ' .
05 BIND-PORT                                    PIC X(4) .
05 FILLER                                       PIC X(10) VALUE SPACES.
05 FILLER                                       PIC X(7)
   VALUE IS SPACES.

```

```

01 PORTNUM-ERR.
05 INVALID-PORT          PIC X(33)
   VALUE IS 'SERVER NOT STARTED - INVALID PORT'.
05 FILLER                PIC X(10)
   VALUE IS ' NUMBER = '.
05 PORT-ERRNUM          PIC X(4).
05 FILLER                PIC X(8)
   VALUE IS SPACES.

01 RECVFROM-ERR.
05 RECVFROM-ERR-M      PIC X(24)
   VALUE IS 'RECEIVE SOCKET CALL FAIL'.
05 FILLER              PIC X(9)
   VALUE IS ' ERRNO = '.
05 RECVFROM-ERRNO     PIC 9(8) DISPLAY.
05 FILLER              PIC X(14)
   VALUE IS SPACES.

01 SELECT-ERR.
05 SELECT-ERR-M       PIC X(24)
   VALUE IS 'SELECT CALL FAIL'.
05 FILLER             PIC X(9)
   VALUE IS ' ERRNO = '.
05 SELECT-ERRNO      PIC 9(8) DISPLAY.
05 FILLER            PIC X(14)
   VALUE IS SPACES.

01 SQL-ERROR.
05 FILLER             PIC X(35)
   VALUE IS 'SQLERR -PROG TERMINATION,SQLCODE = '.
05 SQL-ERR-CODE      PIC -(9)9.
05 FILLER            PIC X(11)
   VALUE IS SPACES.

01 SOCKET-ERR.
05 SOCKET-ERR-M      PIC X(25)
   VALUE IS 'SOCKET CALL FAIL - SOCKET'.
05 FILLER            PIC X(9)
   VALUE IS ' ERRNO = '.
05 SOCKET-ERRNO     PIC 9(8) DISPLAY.
05 FILLER            PIC X(13)
   VALUE IS SPACES.

01 TAKE-ERR.
05 TAKE-ERR-M       PIC X(17)
   VALUE IS 'TAKESOCKET FAILED'.
05 FILLER           PIC X(9)
   VALUE IS ' ERRNO = '.
05 TAKE-ERRNO      PIC 9(8) DISPLAY.
05 FILLER          PIC X(21)
   VALUE IS SPACES.

01 WRITE-ERR.
05 WRITE-ERR-M     PIC X(33)
   VALUE IS 'WRITE SOCKET FAIL'.
05 FILLER         PIC X(9)
   VALUE IS ' ERRNO = '.
05 WRITE-ERRNO   PIC 9(8) DISPLAY.
05 FILLER       PIC X(21)
   VALUE IS SPACES.

```

```

*-----*
* PROGRAM'S CONSTANTS                                     *
*-----*
77 CTOB          PIC X(4) VALUE 'CTOB'.
77 DEL- ID      PIC X(1) VALUE ', '.
77 BACKLOG      PIC 9(8) COMP VALUE 5.
77 NONZERO-FWRD PIC 9(8) VALUE 256.
77 TCP-FLAG     PIC 9(8) COMP VALUE 0.
77 SOCK-TYPE    PIC 9(8) COMP VALUE 1.
77 AF-INET     PIC 9(8) COMP VALUE 2.
77 NUM-FDS     PIC 9(8) COMP VALUE 5.
77 LOM         PIC 9(4) COMP VALUE 4.
77 CECI-LENG   PIC 9(8) COMP VALUE 5.
77 BUFFER-LENG PIC 9(8) COMP VALUE 55.
77 GWLENG      PIC 9(4) COMP VALUE 256.
77 DEFAULT-PORT PIC X(4) VALUE '????'.
88 DEFAULT-SPECIFIED VALUE '1950'.
01 INADDR-ANY.
05 FILLER      PIC 9(8) BINARY VALUE 0.

```



```

01 SOKET-FUNCTIONS.
02 SOKET-ACCEPT          PIC X(16) VALUE 'ACCEPT          ' .
02 SOKET-BIND            PIC X(16) VALUE 'BIND            ' .
02 SOKET-CLOSE          PIC X(16) VALUE 'CLOSE          ' .
02 SOKET-CONNECT        PIC X(16) VALUE 'CONNECT        ' .
02 SOKET-FCNTL          PIC X(16) VALUE 'FCNTL          ' .
02 SOKET-GETCLIENTID    PIC X(16) VALUE 'GETCLIENTID    ' .
02 SOKET-GETHOSTBYADDR  PIC X(16) VALUE 'GETHOSTBYADDR  ' .
02 SOKET-GETHOSTBYNAME  PIC X(16) VALUE 'GETHOSTBYNAME  ' .
02 SOKET-GETHOSTID      PIC X(16) VALUE 'GETHOSTID      ' .
02 SOKET-GETHOSTNAME    PIC X(16) VALUE 'GETHOSTNAME    ' .
02 SOKET-GETPEERNAME    PIC X(16) VALUE 'GETPEERNAME    ' .
02 SOKET-GETNAMEINFO    PIC X(16) VALUE 'GETNAMEINFO    ' .
02 SOKET-GETSOCKNAME    PIC X(16) VALUE 'GETSOCKNAME    ' .
02 SOKET-GETSOCKOPT     PIC X(16) VALUE 'GETSOCKOPT     ' .
02 SOKET-GIVESOCKET     PIC X(16) VALUE 'GIVESOCKET     ' .
02 SOKET-INITAPI        PIC X(16) VALUE 'INITAPI        ' .
02 SOKET-IOCTL          PIC X(16) VALUE 'IOCTL          ' .
02 SOKET-LISTEN         PIC X(16) VALUE 'LISTEN         ' .
02 SOKET-NTOP           PIC X(16) VALUE 'NTOP           ' .
02 SOKET-READ           PIC X(16) VALUE 'READ           ' .
02 SOKET-RECV           PIC X(16) VALUE 'RECV           ' .
02 SOKET-RECVFROM      PIC X(16) VALUE 'RECVFROM      ' .
02 SOKET-SELECT        PIC X(16) VALUE 'SELECT        ' .
02 SOKET-SELECTEX      PIC X(16) VALUE 'SELECTEX      ' .
02 SOKET-SEND          PIC X(16) VALUE 'SEND          ' .
02 SOKET-SENDTO        PIC X(16) VALUE 'SENDTO        ' .
02 SOKET-SETSOCKOPT    PIC X(16) VALUE 'SETSOCKOPT    ' .
02 SOKET-SHUTDOWN      PIC X(16) VALUE 'SHUTDOWN      ' .
02 SOKET-SOCKET        PIC X(16) VALUE 'SOCKET        ' .
02 SOKET-TAKESOCKET    PIC X(16) VALUE 'TAKESOCKET    ' .
02 SOKET-TERMAPI       PIC X(16) VALUE 'TERMAPI       ' .
02 SOKET-WRITE         PIC X(16) VALUE 'WRITE         ' .

```

```

*-----*
* PROGRAM'S VARIABLES *
*-----*

```

```

77 PROTOCOL             PIC 9(8)  COMP VALUE 0.
77 SRV-SOCKID           PIC 9(4)  COMP VALUE 0.
77 SRV-SOCKID-FWD      PIC 9(8)  COMP VALUE 0.
77 CLI-SOCKID           PIC 9(4)  COMP VALUE 0.
77 CLI-SOCKID-FWD      PIC 9(8)  COMP VALUE 0.
77 LENG                PIC 9(4)  COMP.
77 WSLENG              PIC 9(4)  COMP.
77 RESPONSE            PIC 9(9)  COMP.
77 TSTAMP              PIC 9(8) .
77 TASK-FLAG           PIC X(1)  VALUE '0'.
88 TASK-END            VALUE '1'.
88 TASK-TERM           VALUE '2'.
77 GWPTR               PIC 9(8)  COMP.
77 WSPTR               PIC 9(8)  COMP.
77 TCP-INDICATOR       PIC X(1)  VALUE IS SPACE.
77 TAKESOCKET-SWITCH   PIC X(1)  VALUE IS SPACE.
88 DOTAKESOCKET        VALUE '1'.
77 TCPLENG            PIC 9(8)  COMP VALUE 0.
77 ERRNO               PIC 9(8)  COMP.
77 RETCODE             PIC 9(8)  COMP.
77 TRANS              PIC X(4) .

```

```

01 CLIENTID-LSTN.
05 CID-MAIN-LSTN      PIC 9(8)  COMP VALUE 2.
05 CID-LSTN-INFO.
10 CID-NAME-LSTN     PIC X(8) .
10 CID-SUBNAM-LSTN   PIC X(8) .
05 CID-RES-LSTN      PIC X(20) VALUE LOW-VALUES.

```

```

01 INIT-SUBTASKID.
05 SUBTASKNO         PIC X(7)  VALUE LOW-VALUES.
05 SUBT-CHAR         PIC A(1)  VALUE 'L'.

```

```

01 IDENT.
05 TCPNAME           PIC X(8)  VALUE 'TCPCS  '.
05 ADSNAME           PIC X(8)  VALUE 'EZACIC6S'.

```

```

01 MAXSOC             PIC 9(4)  BINARY VALUE 0.
01 MAXSNO             PIC 9(8)  BINARY VALUE 0.

```

```

01 NFDS              PIC 9(8)  BINARY.

```

```

01 PORT-RECORD.
   05 PORT                PIC X(4).
   05 FILLER              PIC X(36).

01 SELECT-C SOCKET.
   05 READMASK           PIC X(4) VALUE LOW-VALUES.
   05 DUMYMASK          PIC X(4) VALUE LOW-VALUES.
   05 REPLY-RDMASK      PIC X(4) VALUE LOW-VALUES.
   05 REPLY-RDMASK-FF   PIC X(4).

01 SOCKADDR-IN.
   05 SAIN-FAMILY        PIC 9(4) BINARY VALUE 0.
   88 SAIN-FAMILY-IS-AFINET VALUE 2.
   05 SAIN-DATA          PIC X(14).
   05 SAIN-SIN REDEFINES SAIN-DATA.
   10 SAIN-SIN-PORT      PIC 9(4) BINARY.
   10 SAIN-SIN-ADDR      PIC 9(8) BINARY.
   10 FILLER             PIC X(8).

01 SOCKET-CONV.
   05 SOCKET-TBL OCCURS 6 TIMES.
   10 SOCK-CHAR         PIC X(1) VALUE '0'.

01 TCP-BUF.
   05 TCP-BUF-H          PIC X(3).
   05 TCP-BUF-DATA       PIC X(52).

01 TCPCICS-MSG-AREA.
   02 TCPCICS-MSG-1.
   05 MSGDATE           PIC 9(8).
   05 FILLER            PIC X(2) VALUE SPACES.
   05 MSGTIME           PIC 9(8).
   05 FILLER            PIC X(2) VALUE SPACES.
   05 MODULE            PIC X(10) VALUE 'EZACICSS: '.
   02 TCPCICS-MSG-2.
   05 MSG-AREA          PIC X(55) VALUE SPACES.

01 TCP-INPUT-DATA        PIC X(85) VALUE LOW-VALUES.
01 TCPSOCKET-PARM REDEFINES TCP-INPUT-DATA.
   05 GIVE-TAKE-SOCKET   PIC 9(8) COMP.
   05 CLIENTID-PARM.
   10 LSTN-NAME          PIC X(8).
   10 LSTN-SUBTASKNAME   PIC X(8).
   05 CLIENT-DATA-FLD.
   10 CLIENT-IN-DATA     PIC X(35).
   10 FILLER             PIC X(1).
   05 TCPSOCKADDR-IN.
   10 SOCK-FAMILY        PIC 9(4) BINARY.
   88 SOCK-FAMILY-IS-AFINET VALUE 2.
   88 SOCK-FAMILY-IS-AFINET6 VALUE 19.
   10 SOCK-DATA          PIC X(26).
   10 SOCK-SIN REDEFINES SOCK-DATA.
   15 SOCK-SIN-PORT      PIC 9(4) BINARY.
   15 SOCK-SIN-ADDR      PIC 9(8) BINARY.
   15 FILLER             PIC X(8).
   15 FILLER             PIC X(12).
   10 SOCK-SIN6 REDEFINES SOCK-DATA.
   15 SOCK-SIN6-PORT     PIC 9(4) BINARY.
   15 SOCK-SIN6-FLOWINFO PIC 9(8) BINARY.
   15 SOCK-SIN6-ADDR.
   20 FILLER             PIC 9(16) BINARY.
   20 FILLER             PIC 9(16) BINARY.
   15 SOCK-SIN6-SCOPEID  PIC 9(8) BINARY.
   05 FILLER             PIC X(68).
   05 CLIENT-IN-DATA-LENGTH PIC 9(4) COMP.
   05 CLIENT-IN-DATA-2   PIC X(999).

01 SOCK-TO-RCV-FWD.
   02 FILLER             PIC 9(4) BINARY.
   02 SOCK-TO-RCV        PIC 9(4) BINARY.

01 TIMEVAL.
   02 TVSEC              PIC 9(8) COMP VALUE 180.
   02 TVUSEC             PIC 9(8) COMP VALUE 0.

01 ZERO-PARM            PIC X(16) VALUE LOW-VALUES.
01 ZERO-FLD REDEFINES ZERO-PARM.
   02 ZERO-8             PIC X(8).
   02 ZERO-DUM           PIC X(2).
   02 ZERO-HWRD          PIC 9(4) COMP.
   02 ZERO-FWRD          PIC 9(8) COMP.

```

```

* ***** *
* INPUT FORMAT FOR UPDATING THE SAMPLE DB2 TABLE *
* ***** *

01 INPUT-DEPT.
   05 IN-ACT          PIC X(3).
   05 IN-DEPTNO      PIC X(3).
   05 IN-DEPTN       PIC X(36).
   05 IN-MGRNO       PIC X(6).
   05 IN-ADMRDEPT    PIC X(3).

-----*
*   SQL STATEMENTS:  SQL COMMUNICATION AREA   *
*-----*

*** EXEC SQL INCLUDE SQLCA   END-EXEC.

-----*
*   SQL STATEMENTS:  DEPARTMENT TABLE CREATE STATEMENT FOR DB2 *
*-----*
*           CREATE TABLE TCPCICS.DEPT          *
*           (DEPTNO          CHAR(03),          *
*           DEPTNAME        CHAR(36),          *
*           MGRNO            CHAR(06),          *
*           ADMRDEPT        CHAR(03));          *
*-----*
*   DCLGEN GENERATED FROM DB2 FOR THE DEPARTMENT TABLE.   *
*-----*

* ***EXEC SQL INCLUDE DCLDEPT  END-EXEC.

*****
* DCLGEN TABLE(TCPCICS.DEPT) *
* LIBRARY(SYSADM.CICS.SPUFI(DCLDEPT)) *
* LANGUAGE(COBOL) *
* QUOTE *
* ... IS THE DCLGEN COMMAND THAT MADE THE FOLLOWING STATEMENTS *
*****
*** EXEC SQL DECLARE TCPCICS.DEPT TABLE
*** ( DEPTNO          CHAR(3),
***  DEPTNAME        CHAR(36),
***  MGRNO            CHAR(6),
***  ADMRDEPT        CHAR(3)
*** ) END-EXEC.
*****
* COBOL DECLARATION FOR TABLE TCPCICS.DEPT *
*****
01 DCLDEPT.
   10 DEPTNO          PIC X(3).
   10 DEPTNAME        PIC X(36).
   10 MGRNO           PIC X(6).
   10 ADMRDEPT        PIC X(3).
*****
* THE NUMBER OF COLUMNS DESCRIBED BY THIS DECLARATION IS 4 *
*****

PROCEDURE DIVISION.

*** EXEC SQL WHENEVER SQLERROR   GO TO SQL-ERROR-ROU END-EXEC.
*** EXEC SQL WHENEVER SQLWARNING GO TO SQL-ERROR-ROU END-EXEC.

EXEC CICS IGNORE CONDITION TERMERR
                                EOC
                                SIGNAL

END-EXEC.

EXEC CICS HANDLE CONDITION ENDDATA (ENDDATA-SEC)
                              IOERR  (IOERR-SEC)
                              LENGERR (LENGERR-SEC)
                              NOSPACE (NOSPACE-ERR-SEC)
                              QIDERR  (QIDERR-SEC)

END-EXEC.

MOVE START-MSG          TO MSG-AREA.
PERFORM HANDLE-TCPCICS  THRU HANDLE-TCPCICS-EXIT.

```

```

*-----*
*
* BEFORE SERVER STARTS, TRUE MUST BE ACTIVE.  ISSUE 'EXTRACT
* EXIT' COMMAND TO CHECK IF TRUE IS ACTIVE OR NOT
*
*-----*

EXEC CICS PUSH HANDLE END-EXEC.

EXEC CICS HANDLE CONDITION
  INVEXITREQ(TCP-TRUE-REQ)
END-EXEC.

EXEC CICS EXTRACT EXIT
  PROGRAM ('EZACIC01')
  GASET (GWPTR)
  GALENGTH(GWLENG)
END-EXEC.

EXEC CICS POP HANDLE END-EXEC.

*-----*
*
* CICS ATTACH FACILITY MUST BE STARTED FOR THE APPROPRIATE DB2
* SUBSYSTEM BEFORE YOU EXECUTE CICS TRANSACTIONS REQUIRING
* ACCESS TO DB2 DATABASES.
*
*-----*

* EXEC CICS PUSH HANDLE END-EXEC.
*
* EXEC CICS HANDLE CONDITION
*   INVEXITREQ(DB2-TRUE-REQ)
* END-EXEC.
*
* EXEC CICS EXTRACT EXIT
*   PROGRAM ('DSNCEXT1')
*   ENTRYNAME ('DSNCSQL')
*   GASET (WSPTR)
*   GALENGTH (WSLENG)
* END-EXEC.
*
* EXEC CICS POP HANDLE END-EXEC.
*
*-----*
*
* AT START UP THE SERVER REQUIRES THE PORT NUMBER FOR TCP/IP
* IT WILL USE.  THE PORT NUMBER SUPPORTED BY THIS SAMPLE IS
* 4 DIGITS IN LENGTH.
*
* INVOCATION: <server>,<port number>
* LISTENER => SRV2,4000 - OR - SRV2,4 -
* CECI => CECI START TR(SRV2) FROM(4000)
*
* THE LEADING SPACES ARE SIGNIFICANT.
*
*-----*

MOVE EIBTRNID TO TRANS.

EXEC CICS RETRIEVE
  INTO (TCP-INPUT-DATA)
  LENGTH (LENG)
END-EXEC.

* ***** *
* THE PORT CAN SPECIFIED IN THE FROM(????) OPTION OF THE CECI *
* COMMAND OR THE DEFAULT PORT IS USED. *
* THE PORT FOR THE LISTENER STARTED SERVER IS THE PORT *
* SPECIFIED IN THE CLIENT-DATA-FLD OR THE DEFAULT PORT *
* IS USED. *
* ***** *
* THE DEFAULT PORT MUST BE SET, BY THE PROGRAMMER. *
* ***** *

IF LENG < CECI-LENG
  THEN MOVE TCP-INPUT-DATA TO PORT
  ELSE
    MOVE CLIENT-DATA-FLD TO PORT-RECORD
    MOVE '1' TO TAKESOCKET-SWITCH

```

```

END-IF.

INSPECT PORT REPLACING LEADING SPACES BY '0'.
IF PORT IS NUMERIC
  THEN MOVE PORT          TO BIND-PORT
  ELSE
    IF DEFAULT-SPECIFIED
      THEN MOVE DEFAULT-PORT TO PORT
      BIND-PORT
    ELSE
      MOVE PORT          TO PORT-ERRNUM
      MOVE PORTNUM-ERR   TO MSG-AREA
      PERFORM HANDLE-TCPCICS THRU HANDLE-TCPCICS-EXIT
      GO TO PGM-EXIT
    END-IF
  END-IF.

IF DOTAKESOCKET
  THEN PERFORM LISTENER-STARTED-TASK THRU
  LISTENER-STARTED-TASK-EXIT
  ELSE PERFORM INIT-SOCKET          THRU
  INIT-SOCKET-EXIT
END-IF.

PERFORM SCKET-BIND-LSTN          THRU SCKET-BIND-LSTN-EXIT.

MOVE 2                          TO CLI-SOCKID
                                CLI-SOCKID-FWD.

MOVE LISTEN-SUCC                TO MSG-AREA.

PERFORM HANDLE-TCPCICS          THRU HANDLE-TCPCICS-EXIT.

COMPUTE NFDS = NUM-FDS + 1.

MOVE LOW-VALUES                 TO READMASK.
MOVE 6                          TO TCPLENG.

CALL 'EZACIC06' USING CTOB
                                READMASK
                                SOCKET-CONV
                                TCPLENG
                                RETCODE.

IF RETCODE = -1
  THEN
    MOVE BITMASK-ERR            TO MSG-AREA
    PERFORM HANDLE-TCPCICS      THRU HANDLE-TCPCICS-EXIT
  ELSE
    PERFORM ACCEPT-CLIENT-REQ   THRU
    ACCEPT-CLIENT-REQ-EXIT
    UNTIL TASK-TERM
  END-IF.

PERFORM CLOSE-SOCKET            THRU CLOSE-SOCKET-EXIT.

MOVE TCP-SERVER-OFF            TO MSG-AREA.

PERFORM HANDLE-TCPCICS          THRU HANDLE-TCPCICS-EXIT.

*-----*
*
*   END OF PROGRAM
*
*-----*

PGM-EXIT.

EXEC CICS
  RETURN
END-EXEC.

GOBACK.

*-----*
*
*   TRUE IS NOT ENABLED
*
*-----*

```

```
TCP-TRUE-REQ.
MOVE TCP-EXIT-ERR      TO MSG-AREA.
PERFORM HANDLE-TCPCICS THRU HANDLE-TCPCICS-EXIT.
GO TO PGM-EXIT.
```

```
*-----*
*
*          DB2 CALL ATTACH FACILITY IS NOT ENABLED
*
*-----*
```

```
DB2-TRUE-REQ.
MOVE DB2-CAF-ERR      TO MSG-AREA.
PERFORM HANDLE-TCPCICS THRU HANDLE-TCPCICS-EXIT.
GO TO PGM-EXIT.
```

```
*-----*
*
* LISTENER STARTED TASK
*
*-----*
```

```
LISTENER-STARTED-TASK.
```

```
MOVE CLIENTID-PARM          TO CID-LSTN-INFO.
MOVE GIVE-TAKE-SOCKET      TO SOCK-TO-RECV-FWD.
```

```
CALL 'EZASOKET' USING SOKET-TAKESOCKET
                     SOCK-TO-RECV
                     CLIENTID-LSTN
                     ERRNO
                     RETCODE.
```

```
IF RETCODE < 0
  THEN
    MOVE ERRNO              TO TAKE-ERRNO
    MOVE TAKE-ERR          TO MSG-AREA
    PERFORM HANDLE-TCPCICS THRU HANDLE-TCPCICS-EXIT
    GO TO PGM-EXIT
```

```
ELSE
  MOVE BUFFER-LENG        TO TCPLENG
  MOVE START-MSG          TO TCP-BUF
  MOVE RETCODE            TO SRV-SOCKID
```

```
CALL 'EZACIC04' USING TCP-BUF TCPLENG
```

```
CALL 'EZASOKET' USING SOKET-WRITE
                     SRV-SOCKID
                     TCPLENG
                     TCP-BUF
                     ERRNO
                     RETCODE
```

```
IF RETCODE < 0
  THEN
    MOVE ERRNO              TO WRITE-ERRNO
    MOVE WRITE-ERR          TO MSG-AREA
    PERFORM HANDLE-TCPCICS THRU
                          HANDLE-TCPCICS-EXIT
    GO TO PGM-EXIT
  ELSE
```

```
CALL 'EZASOKET' USING SOKET-CLOSE
                     SRV-SOCKID
                     ERRNO
                     RETCODE
```

```
IF RETCODE < 0
  THEN
    MOVE ERRNO              TO CLOSE-ERRNO
    MOVE CLOSE-ERR          TO MSG-AREA
    PERFORM HANDLE-TCPCICS THRU
                          HANDLE-TCPCICS-EXIT
    GO TO PGM-EXIT
  ELSE NEXT SENTENCE
```

```
END-IF
```

```
END-IF
```

```
END-IF.
```

```
MOVE LOW-VALUES          TO TCP-BUF.
```

```
LISTENER-STARTED-TASK-EXIT.  
EXIT.
```

```
*-----*  
*  
* START SERVER PROGRAM  
*  
*-----*
```

```
INIT-SOCKET.
```

```
MOVE EIBTASKN TO SUBTASKNO.
```

```
CALL 'EZASOKET' USING SOKET-INITAPI  
MAXSOC  
IDENT  
INIT-SUBTASKID  
MAXSNO  
ERRNO  
RETCODE.
```

```
IF RETCODE < 0  
THEN  
MOVE ERRNO TO INIT-ERRNO  
MOVE INITAPI-ERR TO MSG-AREA  
PERFORM HANDLE-TCPCICS THRU HANDLE-TCPCICS-EXIT  
GO TO PGM-EXIT  
ELSE  
MOVE INIT-MSG TO MSG-AREA  
PERFORM HANDLE-TCPCICS THRU HANDLE-TCPCICS-EXIT  
END-IF.
```

```
INIT-SOCKET-EXIT.  
EXIT.
```

```
SKKET-BIND-LSTN.
```

```
MOVE -1 TO SRV-SOCKID-FWD.
```

```
*-----*  
*  
* CREATING A SOCKET TO ALLOCATE  
* AN OPEN SOCKET FOR INCOMING CONNECTIONS  
*  
*-----*
```

```
CALL 'EZASOKET' USING SOKET-SOCKET  
AF-INET  
SOCK-TYPE  
PROTOCOL  
ERRNO  
RETCODE.
```

```
IF RETCODE < 0  
THEN  
MOVE ERRNO TO SOCKET-ERRNO  
MOVE SOCKET-ERR TO MSG-AREA  
PERFORM HANDLE-TCPCICS THRU HANDLE-TCPCICS-EXIT  
GO TO PGM-EXIT  
ELSE MOVE RETCODE TO SRV-SOCKID  
MOVE '1' TO SOCK-CHAR(RETCODE + 1)  
END-IF.
```

```
*-----*  
*  
* BIND THE SOCKET TO THE SERVICE PORT  
* TO ESTABLISH A LOCAL ADDRESS FOR PROCESSING INCOMING  
* CONNECTIONS.  
*  
*-----*
```

```
MOVE AF-INET TO SAIN-FAMILY.  
MOVE INADDR-ANY TO SAIN-SIN-ADDR.  
MOVE PORT TO SAIN-SIN-PORT.
```

```
CALL 'EZASOKET' USING SOKET-BIND
```

```

                SRV-SOCKID
                SOCKADDR-IN
                ERRNO
                RETCODE.

IF RETCODE < 0 THEN
  MOVE ERRNO                TO BIND-ERRNO
  MOVE BIND-ERR            TO MSG-AREA
  PERFORM HANDLE-TCPCICS   THRU HANDLE-TCPCICS-EXIT
  GO TO PGM-EXIT.

*-----*
*
* CALL THE LISTEN COMMAND TO ALLOWS SERVERS TO
* PREPARE A SOCKET FOR INCOMING CONNECTIONS AND SET MAXIMUM
* CONNECTIONS.
*
*-----*

CALL 'EZASOKET' USING SOKET-LISTEN
                    SRV-SOCKID
                    BACKLOG
                    ERRNO
                    RETCODE.

IF RETCODE < 0 THEN
  MOVE ERRNO                TO LISTEN-ERRNO
  MOVE LISTEN-ERR          TO MSG-AREA
  PERFORM HANDLE-TCPCICS   THRU HANDLE-TCPCICS-EXIT
  GO TO PGM-EXIT.

SCKET-BIND-LSTN-EXIT.
EXIT.

*-----*
*
* SOCKET HAS BEEN SET UP, THEN CALL 'ACCEPT' TO
* ACCEPT A REQUEST WHEN A CONNECTION ARRIVES.
*
* THIS SAMPLE PROGRAM WILL ONLY USE 5 SOCKETS.
*
*-----*

ACCEPT-CLIENT-REQ.

CALL 'EZASOKET' USING SOKET-SELECT
                    NFDS
                    TIMEVAL
                    READMASK
                    DUMYMASK
                    DUMYMASK
                    REPLY-RDMASK
                    DUMYMASK
                    DUMYMASK
                    ERRNO
                    RETCODE.

IF RETCODE < 0
  THEN
    MOVE ERRNO                TO SELECT-ERRNO
    MOVE SELECT-ERR          TO MSG-AREA
    PERFORM HANDLE-TCPCICS   THRU HANDLE-TCPCICS-EXIT
    GO TO PGM-EXIT.

IF RETCODE = 0
  THEN GO TO ACCEPT-CLIENT-REQ-EXIT.

*-----*
*
* ACCEPT REQUEST
*
*-----*

CALL 'EZASOKET' USING SOKET-ACCEPT
                    SRV-SOCKID
                    SOCKADDR-IN
                    ERRNO
                    RETCODE.

IF RETCODE < 0 THEN

```



```

MOVE ERRNO                TO ACCEPT-ERRNO
MOVE ACCEPT-ERR           TO MSG-AREA
PERFORM HANDLE-TCPCICS    THRU HANDLE-TCPCICS-EXIT
GO TO PGM-EXIT.

MOVE RETCODE TO CLI-SOCKID.

PERFORM ACCEPT-RCV        THRU ACCEPT-RCV-EXIT
UNTIL TASK-END OR TASK-TERM.

MOVE DB2END                TO MSG-AREA.

PERFORM HANDLE-TCPCICS    THRU HANDLE-TCPCICS-EXIT.

CALL 'EZASOKET' USING SOKET-CLOSE
                     CLI-SOCKID
                     ERRNO
                     RETCODE.

IF RETCODE < 0 THEN
  MOVE ERRNO                TO CLOSE-ERRNO
  MOVE CLOSE-ERR           TO MSG-AREA
  PERFORM HANDLE-TCPCICS    THRU HANDLE-TCPCICS-EXIT.

IF NOT TASK-TERM
  MOVE '0'                  TO TASK-FLAG.

ACCEPT-CLIENT-REQ-EXIT.
EXIT.

*-----*
*
* RECEIVING DATA THROUGH A SOCKET BY ISSUING 'RCVFROM'
* COMMAND.
*
*-----*

ACCEPT-RCV.

MOVE 'T'                  TO TCP-INDICATOR.
MOVE BUFFER-LENG          TO TCPLENG.
MOVE LOW-VALUES           TO TCP-BUF.

CALL 'EZASOKET' USING SOKET-RCVFROM
                     CLI-SOCKID
                     TCP-FLAG
                     TCPLENG
                     TCP-BUF
                     SOCKADDR-IN
                     ERRNO
                     RETCODE.

IF RETCODE EQUAL 0 AND TCPLENG EQUAL 0
  THEN NEXT SENTENCE
ELSE
  IF RETCODE < 0
    THEN
      MOVE ERRNO                TO RCVFROM-ERRNO
      MOVE RCVFROM-ERR          TO MSG-AREA
      PERFORM HANDLE-TCPCICS    THRU
        HANDLE-TCPCICS-EXIT
      MOVE '1'                  TO TASK-FLAG
    ELSE
      CALL 'EZACIC05' USING TCP-BUF TCPLENG
      IF TCP-BUF-H = LOW-VALUES OR SPACES
        THEN
          MOVE NULL-DATA        TO MSG-AREA
          PERFORM HANDLE-TCPCICS THRU
            HANDLE-TCPCICS-EXIT
        ELSE
          IF TCP-BUF-H = 'END'
            THEN MOVE '1'        TO TASK-FLAG
          ELSE IF TCP-BUF-H = 'TRM'
            THEN MOVE '2' TO TASK-FLAG
          ELSE PERFORM TALK-CLIENT THRU
            TALK-CLIENT-EXIT
        END-IF
      END-IF
    END-IF
  END-IF
END-IF

```

```

END-IF.

ACCEPT-RECV-EXIT.
EXIT.

*****
** PROCESSES TALKING TO CLIENT THAT WILL UPDATE DB2 **
** TABLES. **
*****
** DATA PROCESS: **
** **
** INSERT REC - INS,X81,TEST DEPT,A0213B,Y94 **
** UPDATE REC - UPD,X81,,A1234C, **
** DELETE REC - DEL,X81,,, **
** END CLIENT - END,{end client connection } **
** END SERVER - TRM,{terminate server } **
** **
*****

TALK-CLIENT.

UNSTRING TCP-BUF DELIMITED BY DEL-ID OR ALL '*'
INTO IN-ACT
      IN-DEPTNO
      IN-DEPTN
      IN-MGRNO
      IN-ADMRDEPT.

IF IN-ACT EQUAL 'END'
  THEN
    MOVE '1' TO TASK-FLAG
  ELSE
    IF IN-ACT EQUAL 'U' OR EQUAL 'UPD'
      THEN
        *** EXEC SQL UPDATE TCPCICS.DEPT
        *** SET MGRNO = :IN-MGRNO
        *** WHERE DEPTNO = :IN-DEPTNO
        *** END-EXEC
        MOVE 'UPDATE' TO DB2-ACT
        MOVE 'UPDATED: ' TO DB2M-VAR
      ELSE
        IF IN-ACT EQUAL 'I' OR EQUAL 'INS'
          THEN
            *** EXEC SQL INSERT
            *** INTO TCPCICS.DEPT (DEPTNO, DEPTNAME,
            *** MGRNO, ADMRDEPT)
            *** VALUES (:IN-DEPTNO, :IN-DEPTN,
            *** :IN-MGRNO, :IN-ADMRDEPT)
            *** END-EXEC
            MOVE 'INSERT' TO DB2-ACT
            MOVE 'INSERTED: ' TO DB2M-VAR
          ELSE
            IF IN-ACT EQUAL 'D' OR EQUAL 'DEL'
              THEN
                *** EXEC SQL DELETE
                *** FROM TCPCICS.DEPT
                *** WHERE DEPTNO = :IN-DEPTNO
                *** END-EXEC
                MOVE 'DELETE' TO DB2-ACT
                MOVE 'DELETED: ' TO DB2M-VAR
              ELSE
                MOVE KEYWORD-ERR TO MSG-AREA
                PERFORM HANDLE-TCPCICS THRU
                HANDLE-TCPCICS-EXIT
            END-IF
          END-IF
        END-IF
      END-IF
    END-IF.

IF DADELETE OR DAINsert OR DAUPDATE
  THEN
    * MOVE SQLERRD(3) TO DB2CODE
    MOVE DB2MSG TO MSG-AREA
    MOVE LENGTH OF TCPCICS-MSG-AREA TO LENG

    EXEC CICS SYNCPOINT END-EXEC

    EXEC CICS WRITEQ TD
    QUEUE ('CSMT')

```

```

        FROM      (TCPCICS-MSG-AREA)
        LENGTH    (LENG)
        NOHANDLE
    END-EXEC

*****
**          WRITE THE DB2 MESSAGE TO CLIENT.          **
*****

        MOVE TCPCICS-MSG-2                TO TCP-BUF

        CALL 'EZACIC04' USING TCP-BUF TCPLENG

        CALL 'EZASOKET' USING SOKET-WRITE
                                CLI-SOCKID
                                TCPLENG
                                TCP-BUF
                                ERRNO
                                RETCODE

        MOVE LOW-VALUES                    TO TCP-BUF
                                           TCP-INDICATOR
                                           DB2-ACT

        IF RETCODE < 0
            THEN
                MOVE ERRNO                TO WRITE-ERRNO
                MOVE WRITE-ERR            TO MSG-AREA
                PERFORM HANDLE-TCPCICS    THRU
                MOVE '1'                  TO TASK-FLAG
            END-IF
        END-IF.

TALK-CLIENT-EXIT.
EXIT.

*-----*
*
*   CLOSE ORIGINAL SOCKET DESCRIPTOR
*
*-----*

CLOSE-SOCKET.

        CALL 'EZASOKET' USING SOKET-CLOSE
                                SRV-SOCKID
                                ERRNO
                                RETCODE.

        IF RETCODE < 0 THEN
            MOVE ERRNO                TO CLOSE-ERRNO
            MOVE CLOSE-ERR            TO MSG-AREA
            PERFORM HANDLE-TCPCICS    THRU HANDLE-TCPCICS-EXIT.

CLOSE-SOCKET-EXIT.
EXIT.

*-----*
*
*   SEND TCP/IP ERROR MESSAGE
*
*-----*

HANDLE-TCPCICS.

        MOVE LENGTH OF TCPCICS-MSG-AREA TO LENG.

        EXEC CICS ASKTIME
            ABSTIME (TSTAMP)
            NOHANDLE
        END-EXEC.

        EXEC CICS FORMATIME
            ABSTIME (TSTAMP)
            MMDDYY (MSGDATE)
            TIME (MSGTIME)
            DATESEP ('/')

```

```

    TIMESEP (':')
    NOHANDLE
END-EXEC.

EXEC CICS WRITEQ TD
    QUEUE ('CSMT')
    FROM (TCPCICS-MSG-AREA)
    RESP (RESPONSE)
    LENGTH (LENG)
END-EXEC.

IF RESPONSE = DFHRESP(NORMAL)
    THEN NEXT SENTENCE
ELSE
    IF RESPONSE = DFHRESP(INVREQ)
        THEN MOVE TS-INVREQ-ERR          TO MSG-AREA
    ELSE
        IF RESPONSE = DFHRESP(NOTAUTH)
            THEN MOVE TS-NOTAUTH-ERR     TO MSG-AREA
        ELSE
            IF RESPONSE = DFHRESP(IOERR)
                THEN MOVE TS-IOERR-ERR   TO MSG-AREA
            ELSE MOVE WRITETS-ERR        TO MSG-AREA
        END-IF
    END-IF
END-IF.

IF TCP-INDICATOR = 'T' THEN
    MOVE BUFFER-LENG          TO TCPLENG
    MOVE LOW-VALUES           TO TCP-BUF
    MOVE TCPCICS-MSG-2       TO TCP-BUF

    CALL 'EZACIC04' USING TCP-BUF TCPLENG

    MOVE ' '                  TO TCP-INDICATOR

    CALL 'EZASOKET' USING SOKET-WRITE
                        CLI-SOCKID
                        TCPLENG
                        TCP-BUF
                        ERRNO
                        RETCODE

    IF RETCODE < 0
        THEN
            MOVE ERRNO          TO WRITE-ERRNO
            MOVE WRITE-ERR      TO MSG-AREA

            EXEC CICS WRITEQ TD
                QUEUE ('CSMT')
                FROM (TCPCICS-MSG-AREA)
                LENGTH (LENG)
                NOHANDLE
            END-EXEC

            IF TASK-TERM OR TASK-END
                THEN NEXT SENTENCE
            ELSE MOVE '1'      TO TASK-FLAG
        END-IF
    END-IF.

MOVE SPACES                  TO MSG-AREA.

HANDLE-TCPCICS-EXIT.
EXIT.

*-----*
*
* SEND DB2    ERROR MESSAGE
*
*-----*

SQL-ERROR-ROU.

*   MOVE SQLCODE          TO SQL-ERR-CODE.
*   MOVE SPACES           TO MSG-AREA.
*   MOVE SQL-ERROR        TO MSG-AREA.

EXEC CICS WRITEQ TD

```

```

        QUEUE ('CSMT')
        FROM (TCPCICS-MSG-AREA)
        RESP (RESPONSE)
        LENGTH (LENG)
END-EXEC.

MOVE LOW-VALUES      TO TCP-BUF.
MOVE TCPCICS-MSG-2  TO TCP-BUF.

CALL 'EZACIC04' USING TCP-BUF TCPLENG.

CALL 'EZASOKET' USING SOKET-WRITE
                     CLI-SOCKID
                     TCPLENG
                     TCP-BUF
                     ERRNO
                     RETCODE.

IF RETCODE < 0 THEN
MOVE ERRNO          TO WRITE-ERRNO
MOVE WRITE-ERR     TO MSG-AREA
PERFORM HANDLE-TCPCICS THRU HANDLE-TCPCICS-EXIT.

GO TO PGM-EXIT.

SQL-ERROR-ROU-EXIT.
EXIT.

*-----*
*
* OTHER ERRORS (HANDLE CONDITION)
*
*-----*

INVREQ-ERR-SEC.
MOVE TCP-EXIT-ERR   TO MSG-AREA.
PERFORM HANDLE-TCPCICS THRU HANDLE-TCPCICS-EXIT.
GO TO PGM-EXIT.
IOERR-SEC.
MOVE IOERR-ERR      TO MSG-AREA.
PERFORM HANDLE-TCPCICS THRU HANDLE-TCPCICS-EXIT.
GO TO PGM-EXIT.
LENGERR-SEC.
MOVE LENGERR-ERR    TO MSG-AREA.
PERFORM HANDLE-TCPCICS THRU HANDLE-TCPCICS-EXIT.
GO TO PGM-EXIT.
NOSPACE-ERR-SEC.
MOVE NOSPACE-ERR    TO MSG-AREA.
PERFORM HANDLE-TCPCICS THRU HANDLE-TCPCICS-EXIT.
GO TO PGM-EXIT.
QIDERR-SEC.
MOVE QIDERR-ERR     TO MSG-AREA.
PERFORM HANDLE-TCPCICS THRU HANDLE-TCPCICS-EXIT.
GO TO PGM-EXIT.
ITEMERR-SEC.
MOVE ITEMERR-ERR    TO MSG-AREA.
PERFORM HANDLE-TCPCICS THRU HANDLE-TCPCICS-EXIT.
GO TO PGM-EXIT.
ENDDATA-SEC.
MOVE ENDDATA-ERR    TO MSG-AREA.
PERFORM HANDLE-TCPCICS THRU HANDLE-TCPCICS-EXIT.
GO TO PGM-EXIT.

```

EZACIC6C

The following COBOL socket program is in the SEZAINST data set.

Figure 180. EZACIC6C IPv6 child server sample

```

*****
*
* Communications Server for z/OS,   Version 1, Release 9
*
*
* Copyright:   Licensed Materials - Property of IBM
*

```

```

*
*           "Restricted Materials of IBM"
*
*           5694-A01
*
*           Copyright IBM Corp. 2003, 2007
*
*           US Government Users Restricted Rights -
*           Use, duplication or disclosure restricted by
*           GSA ADP Schedule Contract with IBM Corp.
*
* Status:      CSV1R9
*
* $MOD(EZACIC6C),COMP(CICS),PROD(TCPIP):
*
*****
* $SEG(EZACIC6C)
*-----*
*
* Module Name : EZACIC6C
*
* Description :
*
* This is a sample CICS/TCP application program. It issues
* TAKESOCKET to obtain the socket passed from MASTER
* SERVER and perform dialog function with CLIENT program.
*
*-----*
*
IDENTIFICATION DIVISION.
PROGRAM-ID. EZACIC6C.
ENVIRONMENT DIVISION.
DATA DIVISION.
*
WORKING-STORAGE SECTION.
77 TASK-START          PIC X(40)
   VALUE IS 'TASK STARTING THRU CICS/TCPIP INTERFACE '.
77 GNI-ERR             PIC X(24)
   VALUE IS 'GETNAMEINFO FAIL'.
77 GNI-SUCCESS       PIC X(24)
   VALUE IS 'GETNAMEINFO SUCCESSFUL'.
77 GPN-ERR            PIC X(24)
   VALUE IS 'GETPEERNAME FAIL'.
77 GPN-SUCCESS       PIC X(24)
   VALUE IS 'GETPEERNAME SUCCESSFUL'.
77 TAKE-ERR           PIC X(24)
   VALUE IS 'TAKESOCKET FAIL'.
77 TAKE-SUCCESS      PIC X(24)
   VALUE IS 'TAKESOCKET SUCCESSFUL'.
77 READ-ERR           PIC X(24)
   VALUE IS 'READ SOCKET FAIL'.
77 READ-SUCCESS      PIC X(24)
   VALUE IS 'READ SOCKET SUCCESSFUL'.
77 WRITE-ERR          PIC X(24)
   VALUE IS 'WRITE SOCKET FAIL'.
77 WRITE-END-ERR      PIC X(32)
   VALUE IS 'WRITE SOCKET FAIL - PGM END MSG'.
77 WRITE-SUCCESS     PIC X(25)
   VALUE IS 'WRITE SOCKET SUCCESSFUL'.
77 CLOS-ERR           PIC X(24)
   VALUE IS 'CLOSE SOCKET FAIL'.
77 CLOS-SUCCESS      PIC X(24)
   VALUE IS 'CLOSE SOCKET SUCCESSFUL'.
77 INVREQ-ERR         PIC X(24)
   VALUE IS 'INTERFACE IS NOT ACTIVE'.
77 IOERR-ERR          PIC X(24)
   VALUE IS 'IOERR OCCURRS'.
77 LENGERR-ERR        PIC X(24)
   VALUE IS 'LENGERR ERROR'.
77 ITEMERR-ERR        PIC X(24)
   VALUE IS 'ITEMERR ERROR'.
77 NOSPAC-ERR         PIC X(24)
   VALUE IS 'NOSPAC CONDITION'.
77 QIDERR-ERR         PIC X(24)
   VALUE IS 'QIDERR CONDITION'.
77 ENDDATA-ERR        PIC X(30)
   VALUE IS 'RETRIEVE DATA CAN NOT BE FOUND'.
77 WRKEND             PIC X(20)
   VALUE 'CONNECTION END'.
77 WRITE-SW           PIC X(1)
   VALUE 'N'.
77 FORCE-ERROR-MSG    PIC X(1)

```

```

VALUE 'N'.
01 SOKET-FUNCTIONS.
02 SOKET-ACCEPT          PIC X(16) VALUE 'ACCEPT'      '.
02 SOKET-BIND           PIC X(16) VALUE 'BIND'        '.
02 SOKET-CLOSE          PIC X(16) VALUE 'CLOSE'       '.
02 SOKET-CONNECT        PIC X(16) VALUE 'CONNECT'     '.
02 SOKET-FCNTL          PIC X(16) VALUE 'FCNTL'       '.
02 SOKET-GETCLIENTID    PIC X(16) VALUE 'GETCLIENTID' '.
02 SOKET-GETHOSTBYADDR  PIC X(16) VALUE 'GETHOSTBYADDR' '.
02 SOKET-GETHOSTBYNAME  PIC X(16) VALUE 'GETHOSTBYNAME' '.
02 SOKET-GETHOSTID      PIC X(16) VALUE 'GETHOSTID'   '.
02 SOKET-GETHOSTNAME    PIC X(16) VALUE 'GETHOSTNAME' '.
02 SOKET-GETPEERNAME    PIC X(16) VALUE 'GETPEERNAME' '.
02 SOKET-GETNAMEINFO    PIC X(16) VALUE 'GETNAMEINFO' '.
02 SOKET-GETSOCKNAME    PIC X(16) VALUE 'GETSOCKNAME' '.
02 SOKET-GETSOCKOPT     PIC X(16) VALUE 'GETSOCKOPT'  '.
02 SOKET-GIVESOCKET     PIC X(16) VALUE 'GIVESOCKET'  '.
02 SOKET-INITAPI        PIC X(16) VALUE 'INITAPI'     '.
02 SOKET-IOCTL          PIC X(16) VALUE 'IOCTL'       '.
02 SOKET-LISTEN         PIC X(16) VALUE 'LISTEN'      '.
02 SOKET-NTOP           PIC X(16) VALUE 'NTOP'        '.
02 SOKET-READ           PIC X(16) VALUE 'READ'        '.
02 SOKET-RECV           PIC X(16) VALUE 'RECV'        '.
02 SOKET-RECVFROM       PIC X(16) VALUE 'RECVFROM'    '.
02 SOKET-SELECT         PIC X(16) VALUE 'SELECT'      '.
02 SOKET-SEND           PIC X(16) VALUE 'SEND'        '.
02 SOKET-SENDTO         PIC X(16) VALUE 'SENDTO'      '.
02 SOKET-SETSOCKOPT     PIC X(16) VALUE 'SETSOCKOPT'  '.
02 SOKET-SHUTDOWN       PIC X(16) VALUE 'SHUTDOWN'    '.
02 SOKET-SOCKET         PIC X(16) VALUE 'SOCKET'      '.
02 SOKET-TAKESOCKET     PIC X(16) VALUE 'TAKESOCKET'  '.
02 SOKET-TERMAPI       PIC X(16) VALUE 'TERMAPI'     '.
02 SOKET-WRITE          PIC X(16) VALUE 'WRITE'       '.

01 WRKMSG.
02 WRKM                  PIC X(14)
   VALUE IS 'DATA RECEIVED '.

*-----*
* program's variables *
*-----*

77 SUBTRACE              PIC X(8) VALUE 'CONTRACE'.
77 RESPONSE              PIC 9(9) COMP.
77 TASK-FLAG             PIC X(1) VALUE '0'.
77 TAKE-SOCKET           PIC 9(8) COMP.
77 DATA2-LENGTH         PIC 9(04).
77 NTOP-FAMILY           PIC 9(8) COMP.
77 NTOP-LENGTH           PIC 9(4) COMP.
77 SOCKID                PIC 9(4) COMP.
77 SOCKID-FWD            PIC 9(8) COMP.
77 ERRNO                 PIC 9(8) COMP.
77 RETCODE               PIC S9(8) COMP.
01 TCP-BUF.
05 TCP-BUF-H              PIC X(3) VALUE IS SPACES.
05 TCP-BUF-DATA          PIC X(197) VALUE IS SPACES.
77 TCPLNG                PIC 9(8) COMP.
77 RECV-FLAG             PIC 9(8) COMP.
77 CLENG                 PIC 9(4) COMP.
77 CPTRREF               PIC 9(8) COMP.
77 CNT                   PIC 9(4) COMP.
77 MSGLENG               PIC 9(4) COMP.

01 ZERO-PARM             PIC X(16) VALUE LOW-VALUES.
01 DUMMY-MASK REDEFINES ZERO-PARM.
05 DUMYMASK              PIC X(8).
05 ZERO-FLD-8            PIC X(8).
01 ZERO-FLD REDEFINES ZERO-PARM.
05 ZERO-FWRD             PIC 9(8) COMP.
05 ZERO-HWRD             PIC 9(4) COMP.
05 ZERO-DUM              PIC X(10).

01 TD-MSG.
03 TASK-LABEL            PIC X(07) VALUE 'TASK # '.
03 TASK-NUMBER           PIC 9(07).
03 TASK-SEP              PIC X VALUE ' '.
03 CICS-MSG-AREA        PIC X(70).
01 CICS-DETAIL-AREA.
03 DETAIL-FIELD          PIC X(20).
03 DETAIL-EQUALS        PIC X(02) VALUE '='.
03 DETAIL-DATA          PIC X(48) VALUE SPACES.
01 CICS-ERR-AREA.
03 ERR-MSG               PIC X(24).

```

```

03 SOCK-HEADER          PIC X(08) VALUE ' SOCKET=' .
03 ERR-SOCKET           PIC 9(05) .
03 RETC-HEADER         PIC X(09) VALUE ' RETCDE=-' .
03 ERR-RETCODE         PIC 9(05) .
03 ERRN-HEADER         PIC X(07) VALUE ' ERRNO=' .
03 ERR-ERRNO           PIC 9(05) .
01 CICS-DATA2-AREA .
05 DATA-2-FOR-MSG     PIC X(48) VALUE SPACES .
05 FILLER               PIC X(951) .

*
01 CLIENTID-LSTN .
05 CID-DOMAIN-LSTN     PIC 9(8) COMP .
05 CID-NAME-LSTN       PIC X(8) .
05 CID-SUBTASKNAME-LSTN PIC X(8) .
05 CID-RES-LSTN        PIC X(20) .

01 CLIENTID-APPL .
05 CID-DOMAIN-APPL     PIC 9(8) COMP .
05 CID-NAME-APPL       PIC X(8) .
05 CID-SUBTASKNAME-APPL PIC X(8) .
05 CID-RES-APPL        PIC X(20) .

*
* GETNAMEINFO Call variables.
*
01 NAME-LEN             PIC 9(8) BINARY .
01 HOST-NAME           PIC X(255) .
01 HOST-NAME-LEN       PIC 9(8) BINARY .
01 SERVICE-NAME        PIC X(32) .
01 SERVICE-NAME-LEN    PIC 9(8) BINARY .
01 NAME-INFO-FLAGS     PIC 9(8) BINARY VALUE 0 .

*
* GETNAMEINFO FLAG VALUES
*
01 NI-NOFQDN           PIC 9(8) BINARY VALUE 1 .
01 NI-NUMERICHOST      PIC 9(8) BINARY VALUE 2 .
01 NI-NAMEREQD         PIC 9(8) BINARY VALUE 4 .
01 NI-NUMERICSERV      PIC 9(8) BINARY VALUE 8 .
01 NI-DGRAM            PIC 9(8) BINARY VALUE 16 .

*
* GETPEERNAME SOCKET ADDRESS STRUCTURE
*
01 PEER-NAME .
05 PEER-FAMILY         PIC 9(4) BINARY .
   88 PEER-FAMILY-IS-AFINET VALUE 2 .
   88 PEER-FAMILY-IS-AFINET6 VALUE 19 .
05 PEER-DATA           PIC X(26) .
05 PEER-SIN REDEFINES PEER-DATA .
   10 PEER-SIN-PORT     PIC 9(4) BINARY .
   10 PEER-SIN-ADDR     PIC 9(8) BINARY .
   10 FILLER             PIC X(8) .
   10 FILLER             PIC X(12) .
05 PEER-SIN6 REDEFINES PEER-DATA .
   10 PEER-SIN6-PORT    PIC 9(4) BINARY .
   10 PEER-SIN6-FLOWINFO PIC 9(8) BINARY .
   10 PEER-SIN6-ADDR .
       15 FILLER         PIC 9(16) BINARY .
       15 FILLER         PIC 9(16) BINARY .
   10 PEER-SIN6-SCOPEID PIC 9(8) BINARY .

*
* TRANSACTION INPUT MESSAGE FROM THE LISTENER
*
01 TCPSOCKET-PARM .
05 GIVE-TAKE-SOCKET    PIC 9(8) COMP .
05 LSTN-NAME           PIC X(8) .
05 LSTN-SUBTASKNAME    PIC X(8) .
05 CLIENT-IN-DATA      PIC X(35) .
05 THREADSAFE-INDICATOR PIC X(1) .
   88 INTERFACE-IS-THREADSAFE VALUE '1' .
05 SOCKADDR-IN .
   10 SOCK-FAMILY       PIC 9(4) BINARY .
       88 SOCK-FAMILY-IS-AFINET VALUE 2 .
       88 SOCK-FAMILY-IS-AFINET6 VALUE 19 .
   10 SOCK-DATA         PIC X(26) .
   10 SOCK-SIN REDEFINES SOCK-DATA .
       15 SOCK-SIN-PORT     PIC 9(4) BINARY .
       15 SOCK-SIN-ADDR     PIC 9(8) BINARY .
       15 FILLER           PIC X(8) .
       15 FILLER           PIC X(12) .

```



```

10 SOCK-SIN6 REDEFINES SOCK-DATA.
15 SOCK-SIN6-PORT          PIC 9(4) BINARY.
15 SOCK-SIN6-FLOWINFO     PIC 9(8) BINARY.
15 SOCK-SIN6-ADDR.
    20 FILLER              PIC 9(16) BINARY.
    20 FILLER              PIC 9(16) BINARY.
15 SOCK-SIN6-SCOPEID      PIC 9(8) BINARY.
05 FILLER                  PIC X(68).
05 CLIENT-IN-DATA-LENGTH  PIC 9(4) COMP.
05 CLIENT-IN-DATA-2       PIC X(999).

PROCEDURE DIVISION.

MOVE 'Y' TO WRITE-SW.

EXEC CICS HANDLE CONDITION INVREQ (INVREQ-ERR-SEC)
                          IOERR (IOERR-SEC)
                          ENDDATA (ENDDATA-SEC)
                          NOSPACE (NOSPACE-ERR-SEC)
                          QIDERR (QIDERR-SEC)
                          ITEMERR (ITEMERR-SEC)

END-EXEC.

EXEC CICS IGNORE CONDITION LENGERR
END-EXEC.

PERFORM INITIAL-SEC      THRU  INITIAL-SEC-EXIT.
PERFORM TAKESOCKET-SEC  THRU  TAKESOCKET-SEC-EXIT.
PERFORM GET-PEER-NAME   THRU  GET-PEER-NAME-EXIT.
PERFORM GET-NAME-INFO   THRU  GET-NAME-INFO-EXIT.

MOVE '0' TO TASK-FLAG.
PERFORM CLIENT-TASK      THRU  CLIENT-TASK-EXIT
    VARYING CNT FROM 1 BY 1 UNTIL TASK-FLAG = '1'.

CLOSE-SOCK.
*-----*
*
* CLOSE 'accept descriptor'
*
*-----*

CALL 'EZASOKET' USING SOKET-CLOSE SOCKID
    ERRNO RETCODE.

IF RETCODE < 0 THEN
    MOVE 'Y' TO WRITE-SW FORCE-ERROR-MSG
    MOVE CLOS-ERR TO ERR-MSG
    MOVE SOCKID TO ERR-SOCKET
    MOVE RETCODE TO ERR-RETCODE
    MOVE ERRNO TO ERR-ERRNO
    MOVE CICS-ERR-AREA TO CICS-MSG-AREA
ELSE
    MOVE CLOS-SUCCESS TO CICS-MSG-AREA.
PERFORM WRITE-CICS THRU WRITE-CICS-EXIT.

PGM-EXIT.

IF RETCODE < 0 THEN
    EXEC CICS ABEND ABCODE('SRV6') END-EXEC.

MOVE SPACES TO CICS-MSG-AREA.
MOVE 'END OF EZACIC6C PROGRAM' TO CICS-MSG-AREA.
PERFORM WRITE-CICS THRU WRITE-CICS-EXIT.
EXEC CICS RETURN END-EXEC.
GOBACK.

*-----*
*
* RECEIVE PASSED PARAMETER WHICH ARE CID
*
*-----*
INITIAL-SEC.

MOVE SPACES TO CICS-MSG-AREA.
MOVE 50 TO MSGLENG.
MOVE 'SRV6 TRANSACTION START UP ' TO CICS-MSG-AREA.
PERFORM WRITE-CICS THRU WRITE-CICS-EXIT.

*
* PREPARE TO RECEIVE AND ENHANCED TIM

```

```

*
MOVE 1153 TO CLENG.

INITIALIZE TCPSOCKET-PARM.

EXEC CICS RETRIEVE INTO(TCPSOCKET-PARM)
      LENGTH(CLENG)
      END-EXEC.

MOVE 'LISTENER ADDR SPACE ' TO DETAIL-FIELD.
MOVE SPACES TO DETAIL-DATA.
MOVE LSTN-NAME TO DETAIL-DATA.
MOVE CICS-DETAIL-AREA TO CICS-MSG-AREA.
PERFORM WRITE-CICS THRU WRITE-CICS-EXIT.

MOVE 'LISTENER TASK ID   ' TO DETAIL-FIELD.
MOVE SPACES TO DETAIL-DATA.
MOVE LSTN-SUBTASKNAME TO DETAIL-DATA.
MOVE CICS-DETAIL-AREA TO CICS-MSG-AREA.
PERFORM WRITE-CICS THRU WRITE-CICS-EXIT.

IF CLIENT-IN-DATA-LENGTH <= 0
  MOVE 'TIM IS STANDARD' TO CICS-MSG-AREA
  PERFORM WRITE-CICS THRU WRITE-CICS-EXIT

  MOVE 'CLIENT IN DATA   ' TO DETAIL-FIELD
  MOVE SPACES TO DETAIL-DATA
  MOVE CLIENT-IN-DATA TO DETAIL-DATA
  MOVE CICS-DETAIL-AREA TO CICS-MSG-AREA
  PERFORM WRITE-CICS THRU WRITE-CICS-EXIT

ELSE
  MOVE 'TIM IS ENHANCED' TO CICS-MSG-AREA
  PERFORM WRITE-CICS THRU WRITE-CICS-EXIT

  MOVE 'CLIENT IN DATA   ' TO DETAIL-FIELD
  MOVE SPACES TO DETAIL-DATA
  MOVE CLIENT-IN-DATA TO DETAIL-DATA
  MOVE CICS-DETAIL-AREA TO CICS-MSG-AREA
  PERFORM WRITE-CICS THRU WRITE-CICS-EXIT

  MOVE 'CLIENT IN DATA 2 LEN' TO DETAIL-FIELD
  MOVE SPACES TO DETAIL-DATA
  MOVE CLIENT-IN-DATA-LENGTH TO DATA2-LENGTH
  MOVE DATA2-LENGTH TO DETAIL-DATA
  MOVE CICS-DETAIL-AREA TO CICS-MSG-AREA
  PERFORM WRITE-CICS THRU WRITE-CICS-EXIT

  MOVE 'CLIENT IN DATA 2   ' TO DETAIL-FIELD
  MOVE SPACES TO DETAIL-DATA
  MOVE CLIENT-IN-DATA-2 TO CICS-DATA2-AREA
  MOVE DATA-2-FOR-MSG TO DETAIL-DATA
  MOVE CICS-DETAIL-AREA TO CICS-MSG-AREA
  PERFORM WRITE-CICS THRU WRITE-CICS-EXIT.

INITIAL-SEC-EXIT.
EXIT.

*-----*
*
* Perform TCP SOCKET functions by passing socket command to
* EZASOKET routine. SOCKET command are translated to pre-
* define integer.
*
*-----*

TAKESOCKET-SEC.

*-----*
*
* Issue 'TAKESOCKET' call to acquire a socket which was
* given by the LISTENER program.
*
*-----*

*
MOVE AF-INET TO CID-DOMAIN-LSTN CID-DOMAIN-APPL.
MOVE SOCK-FAMILY TO CID-DOMAIN-LSTN CID-DOMAIN-APPL.

MOVE LSTN-NAME TO CID-NAME-LSTN.
MOVE LSTN-SUBTASKNAME TO CID-SUBTASKNAME-LSTN.
MOVE GIVE-TAKE-SOCKET TO TAKE-SOCKET SOCKID SOCKID-FWD.
CALL 'EZASOKET' USING SOKET-TAKESOCKET SOCKID

```

```

CLIENTID-LSTN ERRNO RETCODE.

IF RETCODE < 0 THEN
  MOVE 'Y' TO WRITE-SW FORCE-ERROR-MSG
  MOVE TAKE-ERR TO ERR-MSG
  MOVE SOCKID TO ERR-SOCKET
  MOVE RETCODE TO ERR-RETCODE
  MOVE ERRNO TO ERR-ERRNO
  MOVE CICS-ERR-AREA TO CICS-MSG-AREA
  PERFORM WRITE-CICS THRU WRITE-CICS-EXIT
  GO TO PGM-EXIT
ELSE
  MOVE SPACES TO CICS-MSG-AREA
  MOVE TAKE-SUCCESS TO CICS-MSG-AREA
  PERFORM WRITE-CICS THRU WRITE-CICS-EXIT.

MOVE SPACES TO CICS-MSG-AREA.
IF SOCK-FAMILY-IS-AFINET
  MOVE 'TOOK AN AF_INET SOCKET' TO CICS-MSG-AREA
  PERFORM WRITE-CICS THRU WRITE-CICS-EXIT
  MOVE SPACES TO DETAIL-DATA
  MOVE 'AF_INET ADDRESS IS ' TO DETAIL-FIELD
  MOVE SOCK-FAMILY TO NTOP-FAMILY
  MOVE 16 TO NTOP-LENGTH
  CALL 'EZASOKET' USING SOKET-NTOP
                        NTOP-FAMILY
                        SOCK-SIN-ADDR
                        DETAIL-DATA
                        NTOP-LENGTH
                        ERRNO
                        RETCODE
ELSE
  MOVE 'TOOK AN AF_INET6 SOCKET' TO CICS-MSG-AREA
  PERFORM WRITE-CICS THRU WRITE-CICS-EXIT
  MOVE 'AF_INET6 ADDRESS IS ' TO DETAIL-FIELD
  MOVE SPACES TO DETAIL-DATA
  MOVE SOCK-FAMILY TO NTOP-FAMILY
  MOVE 45 TO NTOP-LENGTH
  CALL 'EZASOKET' USING SOKET-NTOP
                        NTOP-FAMILY
                        SOCK-SIN6-ADDR
                        DETAIL-DATA
                        NTOP-LENGTH
                        ERRNO
                        RETCODE.
MOVE CICS-DETAIL-AREA TO CICS-MSG-AREA.
PERFORM WRITE-CICS THRU WRITE-CICS-EXIT.

MOVE RETCODE TO SOCKID.
MOVE SPACES TO TCP-BUF.
MOVE TASK-START TO TCP-BUF.
MOVE 50 TO TCPLENG.

*
* REMOVE FOLLOWING STATEMENT IF USING EBCDIC CLIENT
*
CALL 'EZACIC04' USING TCP-BUF TCPLENG.

CALL 'EZASOKET' USING SOKET-WRITE SOCKID TCPLENG
TCP-BUF ERRNO RETCODE.

IF RETCODE < 0 THEN
  MOVE 'Y' TO WRITE-SW FORCE-ERROR-MSG
  MOVE WRITE-ERR TO ERR-MSG
  MOVE SOCKID TO ERR-SOCKET
  MOVE RETCODE TO ERR-RETCODE
  MOVE ERRNO TO ERR-ERRNO
  MOVE CICS-ERR-AREA TO CICS-MSG-AREA
  PERFORM WRITE-CICS THRU WRITE-CICS-EXIT
  GO TO PGM-EXIT
ELSE
  MOVE WRITE-SUCCESS TO CICS-MSG-AREA
  PERFORM WRITE-CICS THRU WRITE-CICS-EXIT.
TAKESOCKET-SEC-EXIT.
EXIT.

GET-PEER-NAME.
CALL 'EZASOKET' USING SOKET-GETPEERNAME
SOCKID PEER-NAME ERRNO RETCODE.
IF RETCODE < 0 THEN
  MOVE 'Y' TO WRITE-SW FORCE-ERROR-MSG
  MOVE GPN-ERR TO ERR-MSG

```

```

        MOVE SOCKID TO ERR-SOCKET
        MOVE RETCODE TO ERR-RETCODE
        MOVE ERRNO TO ERR-ERRNO
        MOVE CICS-ERR-AREA TO CICS-MSG-AREA
        PERFORM WRITE-CICS THRU WRITE-CICS-EXIT
        GO TO PGM-EXIT
    ELSE
        MOVE GPN-SUCCESS TO CICS-MSG-AREA
        PERFORM WRITE-CICS THRU WRITE-CICS-EXIT.
GET-PEER-NAME-EXIT.
EXIT.

GET-NAME-INFO.
    IF PEER-FAMILY-IS-AFINET
        MOVE 16 TO NAME-LEN
    ELSE
        MOVE 28 TO NAME-LEN.
    MOVE SPACES TO HOST-NAME.
    MOVE 256 TO HOST-NAME-LEN.
    MOVE SPACES TO SERVICE-NAME.
    MOVE 32 TO SERVICE-NAME-LEN.
    CALL 'EZASOKET' USING SOKET-GETNAMEINFO
        PEER-NAME NAME-LEN
        HOST-NAME HOST-NAME-LEN
        SERVICE-NAME SERVICE-NAME-LEN
        NAME-INFO-FLAGS
        ERRNO RETCODE.
    IF RETCODE < 0 THEN
        MOVE 'Y' TO WRITE-SW FORCE-ERROR-MSG
        MOVE GNI-ERR TO ERR-MSG
        MOVE SOCKID TO ERR-SOCKET
        MOVE RETCODE TO ERR-RETCODE
        MOVE ERRNO TO ERR-ERRNO
        MOVE CICS-ERR-AREA TO CICS-MSG-AREA
        PERFORM WRITE-CICS THRU WRITE-CICS-EXIT
        GO TO PGM-EXIT
    ELSE
        MOVE GNI-SUCCESS TO CICS-MSG-AREA
        PERFORM WRITE-CICS THRU WRITE-CICS-EXIT.
GET-NAME-INFO-EXIT.
EXIT.

CLIENT-TASK.
*-----*
*
* Issue 'RECV' socket to receive input data from client
*
*-----*

        MOVE LOW-VALUES TO TCP-BUF.
        MOVE 200 TO TCPLENG.
        MOVE ZEROS TO RECV-FLAG.

        CALL 'EZASOKET' USING SOKET-RECV SOCKID
            RECV-FLAG TCPLENG TCP-BUF ERRNO RETCODE.

        IF RETCODE < 0 THEN
            MOVE 'Y' TO WRITE-SW FORCE-ERROR-MSG
            MOVE READ-ERR TO ERR-MSG
            MOVE SOCKID TO ERR-SOCKET
            MOVE RETCODE TO ERR-RETCODE
            MOVE ERRNO TO ERR-ERRNO
            MOVE CICS-ERR-AREA TO CICS-MSG-AREA
            PERFORM WRITE-CICS THRU WRITE-CICS-EXIT
            GO TO PGM-EXIT
        ELSE
            MOVE READ-SUCCESS TO CICS-MSG-AREA
            PERFORM WRITE-CICS THRU WRITE-CICS-EXIT.

*
* REMOVE FOLLOWING STATEMENT IF USING EBCDIC CLIENT
*
        CALL 'EZACIC05' USING TCP-BUF TCPLENG.

*
* DETERMINE WHETHER THE CLIENT IS FINISHED SENDING DATA
*
        IF TCP-BUF-H = 'END' OR TCP-BUF-H = 'end' THEN
            MOVE '1' TO TASK-FLAG
            PERFORM CLIENT-TALK-END THRU CLIENT-TALK-END-EXIT
            GO TO CLIENT-TASK-EXIT.

```

```

        IF RETCODE = 0 THEN
            MOVE '1' TO TASK-FLAG
            GO TO CLIENT-TASK-EXIT.
*-----*
** ECHO RECEIVING DATA
*-----*
        MOVE TCP-BUF TO CICS-MSG-AREA.
        PERFORM WRITE-CICS THRU WRITE-CICS-EXIT.

        MOVE RETCODE TO TCPLENG.

*
* REMOVE FOLLOWING STATEMENT IF USING EBCDIC CLIENT
*
        CALL 'EZACIC04' USING TCP-BUF TCPLENG.
        CALL 'EZASOKET' USING SOKET-WRITE SOCKID TCPLENG
            TCP-BUF ERRNO RETCODE.

        IF RETCODE < 0 THEN
            MOVE 'Y' TO WRITE-SW FORCE-ERROR-MSG
            MOVE WRITE-ERR TO ERR-MSG
            MOVE SOCKID TO ERR-SOCKET
            MOVE RETCODE TO ERR-RETCODE
            MOVE ERRNO TO ERR-ERRNO
            MOVE CICS-ERR-AREA TO CICS-MSG-AREA
            PERFORM WRITE-CICS THRU WRITE-CICS-EXIT
            GO TO PGM-EXIT
        ELSE
            MOVE WRITE-SUCCESS TO CICS-MSG-AREA
            PERFORM WRITE-CICS THRU WRITE-CICS-EXIT.

CLIENT-TASK-EXIT.
EXIT.

WRITE-CICS.
    MOVE 78 TO CLENG.
    MOVE EIBTASKN TO TASK-NUMBER.
    IF WRITE-SW = 'Y' THEN
        IF INTERFACE-IS-THREADSAFE THEN
            IF FORCE-ERROR-MSG = 'Y' THEN
                EXEC CICS WRITEQ TD QUEUE('CSMT') FROM(TD-MSG)
                    LENGTH(CLENG) NOHANDLE
                END-EXEC
            ELSE
                NEXT SENTENCE
        ELSE
            EXEC CICS WRITEQ TD QUEUE('CSMT') FROM(TD-MSG)
                LENGTH(CLENG) NOHANDLE
            END-EXEC
    ELSE
        NEXT SENTENCE.
    MOVE SPACES TO CICS-MSG-AREA.

WRITE-CICS-EXIT.
EXIT.

CLIENT-TALK-END.
    MOVE LOW-VALUES TO TCP-BUF.
    MOVE WRKEND TO TCP-BUF CICS-MSG-AREA.

    MOVE 50 TO TCPLENG.

*
* REMOVE FOLLOWING STATEMENT IF USING EBCDIC CLIENT
*
    CALL 'EZACIC04' USING TCP-BUF TCPLENG.
    CALL 'EZASOKET' USING SOKET-WRITE SOCKID TCPLENG
        TCP-BUF ERRNO RETCODE.

    IF RETCODE < 0 THEN
        MOVE 'Y' TO WRITE-SW FORCE-ERROR-MSG
        MOVE WRITE-END-ERR TO ERR-MSG
        MOVE SOCKID TO ERR-SOCKET
        MOVE RETCODE TO ERR-RETCODE
        MOVE ERRNO TO ERR-ERRNO
        MOVE CICS-ERR-AREA TO CICS-MSG-AREA
        PERFORM WRITE-CICS THRU WRITE-CICS-EXIT
        GO TO PGM-EXIT.

CLIENT-TALK-END-EXIT.

```

```

EXIT.

INVREQ-ERR-SEC.
  MOVE 'Y' TO WRITE-SW FORCE-ERROR-MSG
  MOVE INVREQ-ERR TO CICS-MSG-AREA.
  PERFORM WRITE-CICS THRU WRITE-CICS-EXIT.
  GO TO PGM-EXIT.
IOERR-SEC.
  MOVE 'Y' TO WRITE-SW FORCE-ERROR-MSG
  MOVE IOERR-ERR TO CICS-MSG-AREA.
  PERFORM WRITE-CICS THRU WRITE-CICS-EXIT.
  GO TO PGM-EXIT.
LENGERR-SEC.
  MOVE 'Y' TO WRITE-SW FORCE-ERROR-MSG
  MOVE LENGERR-ERR TO CICS-MSG-AREA.
  PERFORM WRITE-CICS THRU WRITE-CICS-EXIT.
  GO TO PGM-EXIT.
NOSPACE-ERR-SEC.
  MOVE 'Y' TO WRITE-SW FORCE-ERROR-MSG
  MOVE NOSPACE-ERR TO CICS-MSG-AREA.
  PERFORM WRITE-CICS THRU WRITE-CICS-EXIT.
  GO TO PGM-EXIT.
QIDERR-SEC.
  MOVE 'Y' TO WRITE-SW FORCE-ERROR-MSG
  MOVE QIDERR-ERR TO CICS-MSG-AREA.
  PERFORM WRITE-CICS THRU WRITE-CICS-EXIT.
  GO TO PGM-EXIT.
ITEMERR-SEC.
  MOVE 'Y' TO WRITE-SW FORCE-ERROR-MSG
  MOVE ITEMERR-ERR TO CICS-MSG-AREA.
  PERFORM WRITE-CICS THRU WRITE-CICS-EXIT.
  GO TO PGM-EXIT.
ENDDATA-SEC.
  MOVE 'Y' TO WRITE-SW FORCE-ERROR-MSG
  MOVE ENDDATA-ERR TO CICS-MSG-AREA.
  PERFORM WRITE-CICS THRU WRITE-CICS-EXIT.
  GO TO PGM-EXIT.

```

EZACIC6S

The following COBOL socket program is in the SEZAINST data set.

Figure 181. EZACIC6S IPv6 iterative server sample

```

*****
*
* Communications Server for z/OS      Version 1, Release 9
*
*
* Copyright:      Licensed Materials - Property of IBM
*
*                "Restricted Materials of IBM"
*
*                5694-A01
*
*                Copyright IBM Corp. 2003, 2007
*
*                US Government Users Restricted Rights -
*                Use, duplication or disclosure restricted by
*                GSA ADP Schedule Contract with IBM Corp.
*
* Status:        CSV1R9
*
* $MOD(EZACIC6S),COMP(CICS),PROD(TCPIP):
*
*****
* $SEG(EZACIC6S)
*-----*
*
* Module Name :  EZACIC6S
*
* Description :  This is a sample server program.  It
*                establishes a connection between
*                CICS & TCPIP to process client requests.
*                The server expects the data received
*

```

```

*      from a host / workstation in ASCII.      *
*      All responses sent by the server to the  *
*      CLIENT are in ASCII. This server is     *
*      started using CECI or via the LISTENER.  *
*
*      CECI START TRANS(xxxx) from(yyyy)      *
*      where xxxx is this servers CICS        *
*      transaction id and yyyy is the         *
*      port this server will listen on.       *
*
*      It processes request received from      *
*      clients for updates to a hypothetical  *
*      DB2 database. Any and all references to *
*      DB2 or SQL are commented out as this   *
*      sample is to illustrate CICS Sockets.   *
*
*      A client connection is broken when the *
*      client transmits and 'END' token to the *
*      server. All processing is terminated    *
*      when an 'TRM' token is received from a  *
*      client.                                 *
*
*-----*
* LOGIC      : 1. Establish server setup      *
*              a). TRUE Active                *
*              b). CAF Active                 *
*              2. Assign user specified port  *
*              start up or use the program    *
*              declared default.              *
*              3. Initialize the AF_INET6     *
*              socket.                        *
*              4. Bind the port and in6addr_  *
*              any.                           *
*              5. Set Bit Mask to accept      *
*              read request.                  *
*              6. Process request from clients.*
*              a). Wait for connection        *
*              b). Process request until 'END' *
*              token is receive from client.  *
*              c). Close connection.          *
*              note: The current client request *
*              ends when the client closes    *
*              the connection or sends an     *
*              'END' token to the server.     *
*              d). If the last request received by *
*              the current client is not a    *
*              request to the server to      *
*              terminate processing ('TRM'),  *
*              continue at step 6A.           *
*              7. Close the server's connection.*
*-----*
IDENTIFICATION DIVISION.
PROGRAM-ID. EZACIC6S.
ENVIRONMENT DIVISION.
DATA DIVISION.

WORKING-STORAGE SECTION.

*-----*
* MESSAGES                                     *
*-----*

77 BITMASK-ERR          PIC X(30)
   VALUE IS 'BITMASK CONVERSION - FAILED ' .
77 ENDDATA-ERR         PIC X(30)
   VALUE IS 'RETRIEVE DATA CAN NOT BE FOUND' .
77 INIT-MSG            PIC X(30)
   VALUE IS 'INITAPI COMPLETE ' .
77 IOERR-ERR           PIC X(30)
   VALUE IS 'IOERR OCCURRS ' .
77 ITEMERR-ERR        PIC X(30)
   VALUE IS 'ITEMERR ERROR ' .
77 KEYWORD-ERR        PIC X(30)
   VALUE IS 'INPUT KEYWORD ERROR ' .
77 LENGERR-ERR        PIC X(30)
   VALUE IS 'LENGERR ERROR ' .
77 NOSPACE-ERR        PIC X(30)
   VALUE IS 'NOSPACE CONDITION ' .
77 NULL-DATA          PIC X(30)
   VALUE IS 'READ NULL DATA ' .
77 QIDERR-ERR         PIC X(30)

```

```

VALUE IS 'TRANSIENT DATA QUEUE NOT FOUND'.
77 START-MSG PIC X(30)
   VALUE IS 'SERVER PROGRAM IS STARTING'.
77 TCP-EXIT-ERR PIC X(30)
   VALUE IS 'SERVER STOPPED:TRUE NOT ACTIVE'.
77 TCP-SERVER-OFF PIC X(30)
   VALUE IS 'SERVER IS ENDING'.
77 TS-INVREQ-ERR PIC X(30)
   VALUE IS 'WRITE TS FAILED - INVREQ'.
77 TS-NOTAUTH-ERR PIC X(30)
   VALUE IS 'WRITE TS FAILED - NOTAUTH'.
77 TS-IOERR-ERR PIC X(30)
   VALUE IS 'WRITE TS FAILED - IOERR'.
77 WRITETS-ERR PIC X(30)
   VALUE IS 'WRITE TS FAILED'.

01 ACCEPT-ERR.
05 ACCEPT-ERR-M PIC X(25)
   VALUE IS 'SOCKET CALL FAIL - ACCEPT'.
05 FILLER PIC X(9)
   VALUE IS ' ERRNO = '.
05 ACCEPT-ERRNO PIC 9(8) DISPLAY.
05 FILLER PIC X(13)
   VALUE IS SPACES.

01 NTOP-ERR.
05 NTOP-ERR-M PIC X(23)
   VALUE IS 'SOCKET CALL FAIL - NTOP'.
05 FILLER PIC X(9)
   VALUE IS ' ERRNO = '.
05 NTOP-ERRNO PIC 9(8) DISPLAY.
05 FILLER PIC X(13)
   VALUE IS SPACES.

01 NTOP-OK.
05 NTOP-OK-M PIC X(21)
   VALUE IS 'ACCEPTED IP ADDRESS: '.
05 NTOP-PRESENTABLE-ADDR PIC X(45) DISPLAY
   VALUE IS SPACES.

01 GNI-ERR.
05 GNI-ERR-M PIC X(30)
   VALUE IS 'SOCKET CALL FAIL - GETNAMEINFO'.
05 FILLER PIC X(9)
   VALUE IS ' ERRNO = '.
05 GNI-ERRNO PIC 9(8) DISPLAY.
05 FILLER PIC X(13)
   VALUE IS SPACES.

01 GNI-HOST-NAME-OK.
05 FILLER PIC X(19)
   VALUE IS 'CLIENTS HOST NAME: '.
05 GNI-HOST-NAME PIC X(255) DISPLAY
   VALUE IS SPACES.

01 GNI-SERVICE-NAME-OK.
05 FILLER PIC X(22)
   VALUE IS 'CLIENTS SERVICE NAME: '.
05 GNI-SERVICE-NAME PIC X(32) DISPLAY
   VALUE IS SPACES.

01 GPN-ERR.
05 GPN-ERR-M PIC X(30)
   VALUE IS 'SOCKET CALL FAIL - GETPEERNAME'.
05 FILLER PIC X(9)
   VALUE IS ' ERRNO = '.
05 GPN-ERRNO PIC 9(8) DISPLAY.
05 FILLER PIC X(13)
   VALUE IS SPACES.

01 BIND-ERR.
05 BIND-ERR-M PIC X(25)
   VALUE IS 'SOCKET CALL FAIL - BIND'.
05 FILLER PIC X(9)
   VALUE IS ' ERRNO = '.
05 BIND-ERRNO PIC 9(8) DISPLAY.
05 FILLER PIC X(13)
   VALUE IS SPACES.

01 CLOSE-ERR.
05 CLOSE-ERR-M PIC X(30)
   VALUE IS 'CLOSE SOCKET DESCRIPTOR FAILED'.

```



```

05 FILLER PIC X(9)
   VALUE IS ' ERRNO = '.
05 CLOSE-ERRNO PIC 9(8) DISPLAY.
05 FILLER PIC X(8)
   VALUE IS SPACES.

01 DB2END.
05 FILLER PIC X(16)
   VALUE IS 'DB2 PROCESS ENDS'.
05 FILLER PIC X(39)
   VALUE IS SPACES.

01 DB2-CAF-ERR.
05 FILLER PIC X(24)
   VALUE IS 'CONNECT NOT ESTABLISHED '.
05 FILLER PIC X(30)
   VALUE IS 'ATTACHMENT FACILITY NOT ACTIVE'.
05 FILLER PIC X(1)
   VALUE IS SPACES.

01 DB2MSG.
05 DB2-ACT PIC X(6) VALUE SPACES.
   88 DAINsert VALUE 'INSERT'.
   88 DADELETE VALUE 'DELETE'.
   88 DAUPDATE VALUE 'UPDATE'.
05 DB2M PIC X(18)
   VALUE IS ' COMPLETE - #ROWS '.
05 DB2M-VAR PIC X(10).
05 FILLER PIC X(2) VALUE SPACES.
05 DB2CODE PIC -(9)9.
05 FILLER PIC X(11)
   VALUE IS SPACES.

01 INITAPI-ERR.
05 INITAPI-ERR-M PIC X(35)
   VALUE IS 'INITAPI FAILED - SERVER NOT STARTED'.
05 FILLER PIC X(9)
   VALUE IS ' ERRNO = '.
05 INIT-ERRNO PIC 9(8) DISPLAY.
05 FILLER PIC X(3)
   VALUE IS SPACES.

01 LISTEN-ERR.
05 LISTEN-ERR-M PIC X(25)
   VALUE IS 'SOCKET CALL FAIL - LISTEN'.
05 FILLER PIC X(9)
   VALUE IS ' ERRNO = '.
05 LISTEN-ERRNO PIC 9(8) DISPLAY.
05 FILLER PIC X(13)
   VALUE IS SPACES.

01 LISTEN-SUCC.
05 FILLER PIC X(34)
   VALUE IS 'READY TO ACCEPT REQUEST ON PORT: '.
05 BIND-PORT PIC X(4).
05 FILLER PIC X(10) VALUE SPACES.
05 FILLER PIC X(7)
   VALUE IS SPACES.

01 PORTNUM-ERR.
05 INVALID-PORT PIC X(33)
   VALUE IS 'SERVER NOT STARTED - INVALID PORT'.
05 FILLER PIC X(10)
   VALUE IS ' NUMBER = '.
05 PORT-ERRNUM PIC X(4).
05 FILLER PIC X(8)
   VALUE IS SPACES.

01 RECVFROM-ERR.
05 RECVFROM-ERR-M PIC X(24)
   VALUE IS 'RECEIVE SOCKET CALL FAIL'.
05 FILLER PIC X(9)
   VALUE IS ' ERRNO = '.
05 RECVFROM-ERRNO PIC 9(8) DISPLAY.
05 FILLER PIC X(14)
   VALUE IS SPACES.

01 SELECT-ERR.
05 SELECT-ERR-M PIC X(24)
   VALUE IS 'SELECT CALL FAIL '.
05 FILLER PIC X(9)
   VALUE IS ' ERRNO = '.

```

```

05 SELECT-ERRNO          PIC 9(8) DISPLAY.
05 FILLER                PIC X(14)
   VALUE IS SPACES.

01 SQL-ERROR.
05 FILLER                PIC X(35)
   VALUE IS 'SQLERR -PROG TERMINATION,SQLCODE = '.
05 SQL-ERR-CODE          PIC -(9)9.
05 FILLER                PIC X(11)
   VALUE IS SPACES.

01 SOCKET-ERR.
05 SOCKET-ERR-M          PIC X(25)
   VALUE IS 'SOCKET CALL FAIL - SOCKET'.
05 FILLER                PIC X(9)
   VALUE IS ' ERRNO = '.
05 SOCKET-ERRNO          PIC 9(8) DISPLAY.
05 FILLER                PIC X(13)
   VALUE IS SPACES.

01 TAKE-ERR.
05 TAKE-ERR-M            PIC X(17)
   VALUE IS 'TAKESOCKET FAILED'.
05 FILLER                PIC X(9)
   VALUE IS ' ERRNO = '.
05 TAKE-ERRNO            PIC 9(8) DISPLAY.
05 FILLER                PIC X(21)
   VALUE IS SPACES.

01 WRITE-ERR.
05 WRITE-ERR-M           PIC X(33)
   VALUE IS 'WRITE SOCKET FAIL'.
05 FILLER                PIC X(9)
   VALUE IS ' ERRNO = '.
05 WRITE-ERRNO           PIC 9(8) DISPLAY.
05 FILLER                PIC X(21)
   VALUE IS SPACES.

*-----*
* PROGRAM'S CONSTANTS                                     *
*-----*
77 CTOB                   PIC X(4) VALUE 'CTOB'.
77 DEL-ID                 PIC X(1) VALUE ','.
77 BACKLOG                PIC 9(8) COMP VALUE 5.
77 NONZERO-FWRD           PIC 9(8) VALUE 256.
77 TCP-FLAG               PIC 9(8) COMP VALUE 0.
77 SOCK-TYPE              PIC 9(8) COMP VALUE 1.
77 AF-INET6               PIC 9(8) COMP VALUE 19.
77 NUM-FDS                PIC 9(8) COMP VALUE 5.
77 LOM                    PIC 9(4) COMP VALUE 4.
77 CECI-LENG              PIC 9(8) COMP VALUE 5.
77 BUFFER-LENG            PIC 9(8) COMP VALUE 55.
77 GWLENG                 PIC 9(4) COMP VALUE 256.
77 DEFAULT-PORT           PIC X(4) VALUE '????'.
88 DEFAULT-SPECIFIED      VALUE '1950'.

01 IN6ADDR-ANY.
05 FILLER                 PIC 9(16) BINARY VALUE 0.
05 FILLER                 PIC 9(16) BINARY VALUE 0.

01 SOKET-FUNCTIONS.
02 SOKET-ACCEPT           PIC X(16) VALUE 'ACCEPT' .
02 SOKET-BIND             PIC X(16) VALUE 'BIND' .
02 SOKET-CLOSE            PIC X(16) VALUE 'CLOSE' .
02 SOKET-CONNECT          PIC X(16) VALUE 'CONNECT' .
02 SOKET-FCNTL           PIC X(16) VALUE 'FCNTL' .
02 SOKET-GETCLIENTID     PIC X(16) VALUE 'GETCLIENTID' .
02 SOKET-GETHOSTBYADDR   PIC X(16) VALUE 'GETHOSTBYADDR' .
02 SOKET-GETHOSTBYNAME   PIC X(16) VALUE 'GETHOSTBYNAME' .
02 SOKET-GETHOSTID       PIC X(16) VALUE 'GETHOSTID' .
02 SOKET-GETHOSTNAME     PIC X(16) VALUE 'GETHOSTNAME' .
02 SOKET-GETPEERNAME     PIC X(16) VALUE 'GETPEERNAME' .
02 SOKET-GETNAMEINFO     PIC X(16) VALUE 'GETNAMEINFO' .
02 SOKET-GETSOCKNAME     PIC X(16) VALUE 'GETSOCKNAME' .
02 SOKET-GETSOCKOPT      PIC X(16) VALUE 'GETSOCKOPT' .
02 SOKET-GIVESOCKET      PIC X(16) VALUE 'GIVESOCKET' .
02 SOKET-INITAPI         PIC X(16) VALUE 'INITAPI' .
02 SOKET-IOCTL           PIC X(16) VALUE 'IOCTL' .
02 SOKET-LISTEN          PIC X(16) VALUE 'LISTEN' .
02 SOKET-NTOP            PIC X(16) VALUE 'NTOP' .
02 SOKET-READ            PIC X(16) VALUE 'READ' .
02 SOKET-RCV             PIC X(16) VALUE 'RCV' .

```

```

02 SOKET-RCVFROM      PIC X(16) VALUE 'RCVFROM'
02 SOKET-SELECT       PIC X(16) VALUE 'SELECT'
02 SOKET-SEND         PIC X(16) VALUE 'SEND'
02 SOKET-SENDTO      PIC X(16) VALUE 'SENDTO'
02 SOKET-SETSOCKOPT  PIC X(16) VALUE 'SETSOCKOPT'
02 SOKET-SHUTDOWN    PIC X(16) VALUE 'SHUTDOWN'
02 SOKET-SOCKET      PIC X(16) VALUE 'SOCKET'
02 SOKET-TAKESOCKET  PIC X(16) VALUE 'TAKESOCKET'
02 SOKET-TERMAPI     PIC X(16) VALUE 'TERMAPI'
02 SOKET-WRITE       PIC X(16) VALUE 'WRITE'

```

```

*-----*
* PROGRAM'S VARIABLES *
*-----*

```

```

77 PROTOCOL          PIC 9(8) COMP VALUE 0.
77 SRV-SOCKID        PIC 9(4) COMP VALUE 0.
77 SRV-SOCKID-FWD    PIC 9(8) COMP VALUE 0.
77 CLI-SOCKID        PIC 9(4) COMP VALUE 0.
77 CLI-SOCKID-FWD    PIC 9(8) COMP VALUE 0.
77 LENG              PIC 9(4) COMP.
77 WSLENG            PIC 9(4) COMP.
77 RESPONSE          PIC 9(9) COMP.
77 TSTAMP            PIC 9(8).
77 TASK-FLAG         PIC X(1) VALUE '0'.
88 TASK-END          VALUE '1'.
88 TASK-TERM         VALUE '2'.
77 GWPTR             PIC 9(8) COMP.
77 WSPTR             PIC 9(8) COMP.
77 TCP-INDICATOR     PIC X(1) VALUE IS SPACE.
77 TAKESOCKET-SWITCH PIC X(1) VALUE IS SPACE.
88 DOTAKESOCKET     VALUE '1'.
77 TCPLENG           PIC 9(8) COMP VALUE 0.
77 ERRNO             PIC 9(8) COMP.
77 RETCODE           PIC 9(8) COMP.
77 TRANS             PIC X(4).

01 CLIENTID-LSTN.
05 CID-DOMAIN-LSTN  PIC 9(8) COMP VALUE 19.
05 CID-LSTN-INFO.
10 CID-NAME-LSTN   PIC X(8).
10 CID-SUBTNAM-LSTN PIC X(8).
05 CID-RES-LSTN    PIC X(20) VALUE LOW-VALUES.

01 INIT-SUBTASKID.
05 SUBTASKNO       PIC X(7) VALUE LOW-VALUES.
05 SUBT-CHAR       PIC A(1) VALUE 'L'.

01 IDENT.
05 TCPNAME         PIC X(8) VALUE 'TCPCS'.
05 ADSNAME         PIC X(8) VALUE 'EZACIC6S'.

01 MAXSOC          PIC 9(4) BINARY VALUE 0.
01 MAXSNO         PIC 9(8) BINARY VALUE 0.

01 NFDS            PIC 9(8) BINARY.

01 PORT-RECORD.
05 PORT            PIC X(4).
05 FILLER          PIC X(36).

01 SELECT-CSOCKET.
05 READMASK        PIC X(4) VALUE LOW-VALUES.
05 DUMYMASK        PIC X(4) VALUE LOW-VALUES.
05 REPLY-RDMASK    PIC X(4) VALUE LOW-VALUES.
05 REPLY-RDMASK-FF PIC X(4).

01 SOCKADDR-IN.
05 SAIN-FAMILY     PIC 9(4) BINARY.
88 SAIN-FAMILY-IS-AFINET VALUE 2.
88 SAIN-FAMILY-IS-AFINET6 VALUE 19.
05 SAIN-DATA       PIC X(26).
05 SAIN-SIN REDEFINES SAIN-DATA.
10 SAIN-SIN-PORT   PIC 9(4) BINARY.
10 SAIN-SIN-ADDR   PIC 9(8) BINARY.
10 FILLER          PIC X(8).
10 FILLER          PIC X(12).
05 SAIN-SIN6 REDEFINES SAIN-DATA.
10 SAIN-SIN6-PORT  PIC 9(4) BINARY.
10 SAIN-SIN6-FLOWINFO PIC 9(8) BINARY.
10 SAIN-SIN6-ADDR.

```

```

        15 FILLER                PIC 9(16) BINARY.
        15 FILLER                PIC 9(16) BINARY.
    10 SAIN-SIN6-SCOPEID        PIC 9(8) BINARY.

01 SOCKADDR-PEER.
    05 PEER-FAMILY                PIC 9(4) BINARY.
        88 PEER-FAMILY-IS-AFINET  VALUE 2.
        88 PEER-FAMILY-IS-AFINET6 VALUE 19.
    05 PEER-DATA                PIC X(26).
    05 PEER-SIN REDEFINES PEER-DATA.
        10 PEER-SIN-PORT          PIC 9(4) BINARY.
        10 PEER-SIN-ADDR          PIC 9(8) BINARY.
        10 FILLER                 PIC X(8).
        10 FILLER                 PIC X(12).
    05 PEER-SIN6 REDEFINES PEER-DATA.
        10 PEER-SIN6-PORT         PIC 9(4) BINARY.
        10 PEER-SIN6-FLOWINFO     PIC 9(8) BINARY.
        10 PEER-SIN6-ADDR.
            15 FILLER              PIC 9(16) BINARY.
            15 FILLER              PIC 9(16) BINARY.
        10 PEER-SIN6-SCOPEID     PIC 9(8) BINARY.

01 NTOP-FAMILY                PIC 9(8) BINARY.
01 PTON-FAMILY                PIC 9(8) BINARY.
01 PRESENTABLE-ADDR          PIC X(45) VALUE SPACES.
01 PRESENTABLE-ADDR-LEN     PIC 9(4) BINARY VALUE 45.
01 NUMERIC-ADDR.
    05 FILLER                  PIC 9(16) BINARY VALUE 0.
    05 FILLER                  PIC 9(16) BINARY VALUE 0.

01 NAME-LEN                  PIC 9(8) BINARY.
01 HOST-NAME                 PIC X(255).
01 HOST-NAME-LEN            PIC 9(8) BINARY.
01 SERVICE-NAME             PIC X(32).
01 SERVICE-NAME-LEN        PIC 9(8) BINARY.
01 NAME-INFO-FLAGS         PIC 9(8) BINARY VALUE 0.
01 NI-NOFQDN                PIC 9(8) BINARY VALUE 1.
01 NI-NUMERICHOST          PIC 9(8) BINARY VALUE 2.
01 NI-NAMEREQD             PIC 9(8) BINARY VALUE 4.
01 NI-NUMERICSERV          PIC 9(8) BINARY VALUE 8.
01 NI-DGRAM                 PIC 9(8) BINARY VALUE 16.

01 HOST-NAME-CHAR-COUNT     PIC 9(4) COMP.
01 HOST-NAME-UNSTRUNG       PIC X(255) VALUE SPACES.
01 SERVICE-NAME-CHAR-COUNT  PIC 9(4) COMP.
01 SERVICE-NAME-UNSTRUNG   PIC X(32) VALUE SPACES.

01 SOCKET-CONV.
    05 SOCKET-TBL OCCURS 6 TIMES.
        10 SOCK-CHAR           PIC X(1) VALUE '0'.

01 TCP-BUF.
    05 TCP-BUF-H             PIC X(3).
    05 TCP-BUF-DATA         PIC X(52).

01 TCPCICS-MSG-AREA.
    02 TCPCICS-MSG-1.
        05 MSGDATE            PIC 9(8).
        05 FILLER             PIC X(2) VALUE SPACES.
        05 MSGTIME           PIC 9(8).
        05 FILLER             PIC X(2) VALUE SPACES.
        05 MODULE            PIC X(10) VALUE 'EZACIC6S: '.
    02 TCPCICS-MSG-2.
        05 MSG-AREA          PIC X(55) VALUE SPACES.

01 TCP-INPUT-DATA           PIC X(85) VALUE LOW-VALUES.
01 TCP SOCKET- PARM REDEFINES TCP-INPUT-DATA.
    05 GIVE-TAKE-SOCKET     PIC 9(8) COMP.
    05 CLIENTID-PARM.
        10 LSTN-NAME          PIC X(8).
        10 LSTN-SUBTASKNAME   PIC X(8).
    05 CLIENT-DATA-FLD.
        10 CLIENT-IN-DATA     PIC X(35).
        10 FILLER             PIC X(1).
    05 TCPSOCKADDR-IN.
        10 SOCK-FAMILY        PIC 9(4) BINARY.
            88 SOCK-FAMILY-IS-AFINET  VALUE 2.
            88 SOCK-FAMILY-IS-AFINET6 VALUE 19.
        10 SOCK-DATA         PIC X(26).
        10 SOCK-SIN REDEFINES SOCK-DATA.
            15 SOCK-SIN-PORT     PIC 9(4) BINARY.
            15 SOCK-SIN-ADDR     PIC 9(8) BINARY.

```

```

    15 FILLER                                PIC X(8).
    15 FILLER                                PIC X(12).
  10 SOCK-SIN6 REDEFINES SOCK-DATA.
    15 SOCK-SIN6-PORT                        PIC 9(4) BINARY.
    15 SOCK-SIN6-FLOWINFO                    PIC 9(8) BINARY.
    15 SOCK-SIN6-ADDR.
      20 FILLER                              PIC 9(16) BINARY.
      20 FILLER                              PIC 9(16) BINARY.
    15 SOCK-SIN6-SCOPEID                    PIC 9(8) BINARY.
  05 FILLER                                  PIC X(68).
  05 CLIENT-IN-DATA-LENGTH                  PIC 9(4) COMP.
  05 CLIENT-IN-DATA-2                      PIC X(999).

01 SOCK-TO-RECV-FWD.
  02 FILLER                                PIC 9(4) BINARY.
  02 SOCK-TO-RECV                          PIC 9(4) BINARY.
01 TIMEVAL.
  02 TVSEC                                  PIC 9(8) COMP VALUE 180.
  02 TVUSEC                                 PIC 9(8) COMP VALUE 0.

01 ZERO-PARM                              PIC X(16) VALUE LOW-VALUES.
01 ZERO-FLD REDEFINES ZERO-PARM.
  02 ZERO-8                                PIC X(8).
  02 ZERO-DUM                              PIC X(2).
  02 ZERO-HWRD                             PIC 9(4) COMP.
  02 ZERO-FWRD                             PIC 9(8) COMP.

* ***** *
* INPUT FORMAT FOR UPDATING THE SAMPLE DB2 TABLE *
* ***** *

01 INPUT-DEPT.
  05 IN-ACT                                PIC X(3).
  05 IN-DEPTNO                             PIC X(3).
  05 IN-DEPTN                              PIC X(36).
  05 IN-MGRNO                               PIC X(6).
  05 IN-ADMRDEPT                           PIC X(3).

*-----*
* SQL STATEMENTS:  SQL COMMUNICATION AREA *
*-----*

*** EXEC SQL INCLUDE SQLCA  END-EXEC.

*-----*
* SQL STATEMENTS:  DEPARTMENT TABLE CREATE STATEMENT FOR DB2 *
*-----*
*          CREATE TABLE TCPCICS.DEPT *
*          (DEPTNO      CHAR(03), *
*          DEPTNAME    CHAR(36), *
*          MGRNO       CHAR(06), *
*          ADMRDEPT    CHAR(03)); *
*-----*
* DCLGEN GENERATED FROM DB2 FOR THE DEPARTMENT TABLE. *
*-----*

* ***EXEC SQL INCLUDE DCLDEPT  END-EXEC.

*****
* DCLGEN TABLE(TCPCICS.DEPT) *
* LIBRARY(SYSADM.CICS.SPUFI(DCLDEPT)) *
* LANGUAGE(COBOL) *
* QUOTE *
* ... IS THE DCLGEN COMMAND THAT MADE THE FOLLOWING STATEMENTS *
*****
*** EXEC SQL DECLARE TCPCICS.DEPT TABLE
*** ( DEPTNO      CHAR(3),
***   DEPTNAME    CHAR(36),
***   MGRNO       CHAR(6),
***   ADMRDEPT    CHAR(3)
*** ) END-EXEC.
*****
* COBOL DECLARATION FOR TABLE TCPCICS.DEPT *
*****
01 DCLDEPT.
  10 DEPTNO      PIC X(3).
  10 DEPTNAME    PIC X(36).
  10 MGRNO       PIC X(6).
  10 ADMRDEPT    PIC X(3).

```

```
*****
* THE NUMBER OF COLUMNS DESCRIBED BY THIS DECLARATION IS 4 *
*****
```

PROCEDURE DIVISION.

```
*** EXEC SQL WHENEVER SQLERROR      GO TO SQL-ERROR-ROU END-EXEC.
*** EXEC SQL WHENEVER SQLWARNING    GO TO SQL-ERROR-ROU END-EXEC.

EXEC CICS IGNORE CONDITION TERMERR
                                EOC
                                SIGNAL
END-EXEC.

EXEC CICS HANDLE CONDITION ENDDATA (ENDDATA-SEC)
                              IOERR  (IOERR-SEC)
                              LENGERR (LENGERR-SEC)
                              NOSPACE (NOSPACE-ERR-SEC)
                              QIDERR  (QIDERR-SEC)
END-EXEC.

MOVE START-MSG                TO MSG-AREA.
PERFORM HANDLE-TCPCICS         THRU HANDLE-TCPCICS-EXIT.
```

```
*-----*
*
* BEFORE SERVER STARTS, TRUE MUST BE ACTIVE.  ISSUE 'EXTRACT
* EXIT' COMMAND TO CHECK IF TRUE IS ACTIVE OR NOT
*
*-----*
```

```
EXEC CICS PUSH HANDLE END-EXEC.

EXEC CICS HANDLE CONDITION
  INVEXITREQ(TCP-TRUE-REQ)
END-EXEC.

EXEC CICS EXTRACT EXIT
  PROGRAM ('EZACIC01')
  GASET  (GWPTR)
  GALENGTH(GWLENG)
END-EXEC.

EXEC CICS POP HANDLE END-EXEC.
```

```
*-----*
*
* CICS ATTACH FACILITY MUST BE STARTED FOR THE APPROPRIATE DB2
* SUBSYSTEM BEFORE YOU EXECUTE CICS TRANSACTIONS REQUIRING
* ACCESS TO DB2 DATABASES.
*
*-----*
```

```
* EXEC CICS PUSH HANDLE END-EXEC.
*
* EXEC CICS HANDLE CONDITION
*   INVEXITREQ(DB2-TRUE-REQ)
* END-EXEC.
*
* EXEC CICS EXTRACT EXIT
*   PROGRAM ('DSNCEXT1')
*   ENTRYNAME ('DSNCSQL')
*   GASET  (WSPTR)
*   GALENGTH (WSLENG)
* END-EXEC.
*
* EXEC CICS POP HANDLE END-EXEC.
```

```
*-----*
*
* AT START UP THE SERVER REQUIRES THE PORT NUMBER FOR TCP/IP
* IT WILL USE.  THE PORT NUMBER SUPPORTED BY THIS SAMPLE IS
* 4 DIGITS IN LENGTH.
*
* INVOCATION: <server>,<port number>
* LISTENER => SRV2,4000 - OR - SRV2,4 -
* CECI      => CECI START TR(SRV2) FROM(4000)
*-----*
```

```

*
* THE LEADING SPACES ARE SIGNIFICANT.
*
*-----*
      MOVE EIBTRNID                TO TRANS.

      EXEC CICS RETRIEVE
          INTO (TCP-INPUT-DATA)
          LENGTH (LENG)
      END-EXEC.

* ***** *
* THE PORT CAN SPECIFIED IN THE FROM(???) OPTION OF THE CECI *
* COMMAND OR THE DEFAULT PORT IS USED. *
* THE PORT FOR THE LISTENER STARTED SERVER IS THE PORT *
* SPECIFIED IN THE CLIENT-DATA-FLD OR THE DEFAULT PORT *
* IS USED. *
* ***** *
* THE DEFAULT PORT MUST BE SET, BY THE PROGRAMMER. *
* ***** *

      IF LENG < CECI-LENG
          THEN MOVE TCP-INPUT-DATA    TO PORT
          ELSE
              MOVE CLIENT-DATA-FLD    TO PORT-RECORD
              MOVE '1'                TO TAKESOCKET-SWITCH
          END-IF.

      INSPECT PORT REPLACING LEADING SPACES BY '0'.
      IF PORT IS NUMERIC
          THEN MOVE PORT              TO BIND-PORT
          ELSE
              IF DEFAULT-SPECIFIED
                  THEN MOVE DEFAULT-PORT TO PORT
                  BIND-PORT
              ELSE
                  MOVE PORT            TO PORT-ERRNUM
                  MOVE PORTNUM-ERR    TO MSG-AREA
                  PERFORM HANDLE-TCPCICS THRU HANDLE-TCPCICS-EXIT
                  GO TO PGM-EXIT
              END-IF
          END-IF.

      IF DOTAKESOCKET
          THEN PERFORM LISTENER-STARTED-TASK THRU
              LISTENER-STARTED-TASK-EXIT
          ELSE PERFORM INIT-SOCKET          THRU
              INIT-SOCKET-EXIT
          END-IF.

      PERFORM SCKET-BIND-LSTN            THRU SCKET-BIND-LSTN-EXIT.

      MOVE 2                            TO CLI-SOCKID
                                          CLI-SOCKID-FWD.

      MOVE LISTEN-SUCC                  TO MSG-AREA.

      PERFORM HANDLE-TCPCICS            THRU HANDLE-TCPCICS-EXIT.

      COMPUTE NFDS = NUM-FDS + 1.

      MOVE LOW-VALUES                   TO READMASK.
      MOVE 6                            TO TCPLENG.

      CALL 'EZACIC06' USING CTOB
          READMASK
          SOCKET-CONV
          TCPLENG
          RETCODE.

      IF RETCODE = -1
          THEN
              MOVE BITMASK-ERR          TO MSG-AREA
              PERFORM HANDLE-TCPCICS    THRU HANDLE-TCPCICS-EXIT
          ELSE
              PERFORM ACCEPT-CLIENT-REQ THRU
                  ACCEPT-CLIENT-REQ-EXIT
                  UNTIL TASK-TERM
          END-IF.

      PERFORM CLOSE-SOCKET              THRU CLOSE-SOCKET-EXIT.

```

```

MOVE TCP-SERVER-OFF          TO MSG-AREA.
PERFORM HANDLE-TCPCICS      THRU HANDLE-TCPCICS-EXIT.

*-----*
*
*   END OF PROGRAM
*
*-----*

PGM-EXIT.

EXEC CICS
  RETURN
END-EXEC.

GOBACK.

*-----*
*
*   TRUE IS NOT ENABLED
*
*-----*

TCP-TRUE-REQ.
MOVE TCP-EXIT-ERR          TO MSG-AREA.
PERFORM HANDLE-TCPCICS THRU HANDLE-TCPCICS-EXIT.
GO TO PGM-EXIT.

*-----*
*
*   DB2 CALL ATTACH FACILITY IS NOT ENABLED
*
*-----*

DB2-TRUE-REQ.
MOVE DB2-CAF-ERR          TO MSG-AREA.
PERFORM HANDLE-TCPCICS THRU HANDLE-TCPCICS-EXIT.
GO TO PGM-EXIT.

*-----*
*
*   LISTENER STARTED TASK
*
*-----*

LISTENER-STARTED-TASK.

MOVE CLIENTID-PARM          TO CID-LSTN-INFO.
MOVE GIVE-TAKE-SOCKET      TO SOCK-TO-RECV-FWD.

CALL 'EZASOKET' USING SOKET-TAKESOCKET
                     SOCK-TO-RECV
                     CLIENTID-LSTN
                     ERRNO
                     RETCODE.

IF RETCODE < 0
  THEN
    MOVE ERRNO              TO TAKE-ERRNO
    MOVE TAKE-ERR          TO MSG-AREA
    PERFORM HANDLE-TCPCICS THRU HANDLE-TCPCICS-EXIT
    GO TO PGM-EXIT
  ELSE
    MOVE BUFFER-LENG       TO TCPLENG
    MOVE START-MSG        TO TCP-BUF
    MOVE RETCODE          TO SRV-SOCKID

    CALL 'EZACIC04' USING TCP-BUF TCPLENG

    CALL 'EZASOKET' USING SOKET-WRITE
                       SRV-SOCKID
                       TCPLENG
                       TCP-BUF
                       ERRNO
                       RETCODE

```



```

IF RETCODE < 0
  THEN
    MOVE ERRNO          TO WRITE-ERRNO
    MOVE WRITE-ERR     TO MSG-AREA
    PERFORM HANDLE-TCPCICS THRU
      HANDLE-TCPCICS-EXIT
    GO TO PGM-EXIT
  ELSE

    CALL 'EZASOKET' USING SOKET-CLOSE
                        SRV-SOCKID
                        ERRNO
                        RETCODE

    IF RETCODE < 0
      THEN
        MOVE ERRNO          TO CLOSE-ERRNO
        MOVE CLOSE-ERR     TO MSG-AREA
        PERFORM HANDLE-TCPCICS THRU
          HANDLE-TCPCICS-EXIT
        GO TO PGM-EXIT
      ELSE NEXT SENTENCE
    END-IF
  END-IF
END-IF.

MOVE LOW-VALUES          TO TCP-BUF.

LISTENER-STARTED-TASK-EXIT.
EXIT.

*-----*
*
*  START SERVER  PROGRAM
*
*-----*

INIT-SOCKET.

MOVE EIBTASKN          TO SUBTASKNO.

CALL 'EZASOKET' USING SOKET-INITAPI
                    MAXSOC
                    IDENT
                    INIT-SUBTASKID
                    MAXSNO
                    ERRNO
                    RETCODE.

IF RETCODE < 0
  THEN
    MOVE ERRNO          TO INIT-ERRNO
    MOVE INITAPI-ERR    TO MSG-AREA
    PERFORM HANDLE-TCPCICS THRU HANDLE-TCPCICS-EXIT
    GO TO PGM-EXIT
  ELSE
    MOVE INIT-MSG      TO MSG-AREA
    PERFORM HANDLE-TCPCICS THRU HANDLE-TCPCICS-EXIT
  END-IF.

INIT-SOCKET-EXIT.
EXIT.

SCKET-BIND-LSTN.

MOVE -1                TO SRV-SOCKID-FWD.

*-----*
*
*  CREATING A SOCKET TO ALLOCATE
*  AN OPEN SOCKET FOR INCOMING CONNECTIONS
*
*-----*

CALL 'EZASOKET' USING SOKET-SOCKET
                    AF-INET6
                    SOCK-TYPE
                    PROTOCOL

```

```

ERRNO
RETCODE.

IF RETCODE < 0
  THEN
    MOVE ERRNO          TO SOCKET-ERRNO
    MOVE SOCKET-ERR    TO MSG-AREA
    PERFORM HANDLE-TCPCICS THRU HANDLE-TCPCICS-EXIT
    GO TO PGM-EXIT
  ELSE MOVE RETCODE    TO SRV-SOCKID
    MOVE '1' TO SOCK-CHAR(RETCODE + 1)
END-IF.

*-----*
*
* BIND THE SOCKET TO THE SERVICE PORT
* TO ESTABLISH A LOCAL ADDRESS FOR PROCESSING INCOMING
* CONNECTIONS.
*
*-----*

MOVE AF-INET6          TO SAIN-FAMILY.
MOVE ZEROS             TO SAIN-SIN6-FLOWINFO.
MOVE IN6ADDR-ANY      TO SAIN-SIN6-ADDR.
MOVE ZEROS            TO SAIN-SIN6-SCOPEID.
MOVE PORT             TO SAIN-SIN6-PORT.

CALL 'EZASOKET' USING SOKET-BIND
                    SRV-SOCKID
                    SOCKADDR-IN
                    ERRNO
                    RETCODE.

IF RETCODE < 0 THEN
  MOVE ERRNO          TO BIND-ERRNO
  MOVE BIND-ERR      TO MSG-AREA
  PERFORM HANDLE-TCPCICS THRU HANDLE-TCPCICS-EXIT
  GO TO PGM-EXIT.

*-----*
*
* CALL THE LISTEN COMMAND TO ALLOWS SERVERS TO
* PREPARE A SOCKET FOR INCOMING CONNECTIONS AND SET MAXIMUM
* CONNECTIONS.
*
*-----*

CALL 'EZASOKET' USING SOKET-LISTEN
                    SRV-SOCKID
                    BACKLOG
                    ERRNO
                    RETCODE.

IF RETCODE < 0 THEN
  MOVE ERRNO          TO LISTEN-ERRNO
  MOVE LISTEN-ERR    TO MSG-AREA
  PERFORM HANDLE-TCPCICS THRU HANDLE-TCPCICS-EXIT
  GO TO PGM-EXIT.

SCKET-BIND-LSTN-EXIT.
EXIT.

*-----*
*
* SOCKET HAS BEEN SET UP, THEN CALL 'ACCEPT' TO
* ACCEPT A REQUEST WHEN A CONNECTION ARRIVES.
*
* THIS SAMPLE PROGRAM WILL ONLY USE 5 SOCKETS.
*
*-----*

ACCEPT-CLIENT-REQ.

CALL 'EZASOKET' USING SOKET-SELECT
                    NFDS
                    TIMEVAL
                    READMASK
                    DUMYMASK
                    DUMYMASK

```

```

REPLY-RDMASK
DUMYMASK
DUMYMASK
ERRNO
RETCODE.

IF RETCODE < 0
  THEN
    MOVE ERRNO          TO SELECT-ERRNO
    MOVE SELECT-ERR    TO MSG-AREA
    PERFORM HANDLE-TCPCICS THRU HANDLE-TCPCICS-EXIT
    GO TO PGM-EXIT.

IF RETCODE = 0
  THEN GO TO ACCEPT-CLIENT-REQ-EXIT.

*-----*
*
* ACCEPT REQUEST
*
*-----*

CALL 'EZASOKET' USING SOKET-ACCEPT
                     SRV-SOCKID
                     SOCKADDR-IN
                     ERRNO
                     RETCODE.

IF RETCODE < 0 THEN
  MOVE ERRNO          TO ACCEPT-ERRNO
  MOVE ACCEPT-ERR    TO MSG-AREA
  PERFORM HANDLE-TCPCICS THRU HANDLE-TCPCICS-EXIT
  GO TO PGM-EXIT.

MOVE RETCODE TO CLI-SOCKID.

PERFORM GET-NAME-INFO      THRU GET-NAME-INFO-EXIT.

PERFORM ACCEPT-RCV       THRU ACCEPT-RCV-EXIT
  UNTIL TASK-END OR TASK-TERM.

MOVE DB2END              TO MSG-AREA.

PERFORM HANDLE-TCPCICS    THRU HANDLE-TCPCICS-EXIT.

CALL 'EZASOKET' USING SOKET-CLOSE
                     CLI-SOCKID
                     ERRNO
                     RETCODE.

IF RETCODE < 0 THEN
  MOVE ERRNO          TO CLOSE-ERRNO
  MOVE CLOSE-ERR     TO MSG-AREA
  PERFORM HANDLE-TCPCICS THRU HANDLE-TCPCICS-EXIT.

IF NOT TASK-TERM
  MOVE '0'            TO TASK-FLAG.

ACCEPT-CLIENT-REQ-EXIT.
EXIT.

*-----*
*
* DETERMINE THE CONNECTED HOST NAME BY ISSUING THE
* GETNAMEINFO COMMAND.
*
*-----*

GET-NAME-INFO.

MOVE SAIN-SIN6-ADDR TO NUMERIC-ADDR.

MOVE 45 TO PRESENTABLE-ADDR-LEN.
MOVE SPACES TO PRESENTABLE-ADDR.

CALL 'EZASOKET' USING SOKET-NTOP AF-INET6
                     NUMERIC-ADDR
                     PRESENTABLE-ADDR PRESENTABLE-ADDR-LEN
                     ERRNO RETCODE.

IF RETCODE < 0 THEN

```

```

MOVE ERRNO                TO NTOP-ERRNO
MOVE NTOP-ERR             TO MSG-AREA
PERFORM HANDLE-TCPCICS    THRU HANDLE-TCPCICS-EXIT.

MOVE PRESENTABLE-ADDR     TO NTOP-PRESENTABLE-ADDR.
MOVE NTOP-OK              TO MSG-AREA.
PERFORM HANDLE-TCPCICS    THRU HANDLE-TCPCICS-EXIT.

CALL 'EZASOKET' USING     SOKET-GETPEERNAME
                           CLI-SOCKID
                           SOCKADDR-PEER
                           ERRNO
                           RETCODE.

IF RETCODE < 0 THEN
MOVE ERRNO                TO GPN-ERRNO
MOVE GPN-ERR              TO MSG-AREA
PERFORM HANDLE-TCPCICS    THRU HANDLE-TCPCICS-EXIT
GO TO PGM-EXIT.

MOVE 28 TO NAME-LEN.
MOVE 255 TO HOST-NAME-LEN.
MOVE 32 TO SERVICE-NAME-LEN.
MOVE ZEROS TO NAME-INFO-FLAGS.

CALL 'EZASOKET' USING     SOKET-GETNAMEINFO
                           SOCKADDR-PEER
                           NAME-LEN
                           HOST-NAME
                           HOST-NAME-LEN
                           SERVICE-NAME
                           SERVICE-NAME-LEN
                           NAME-INFO-FLAGS
                           ERRNO
                           RETCODE.

IF RETCODE < 0 THEN
MOVE ERRNO                TO GNI-ERRNO
MOVE GNI-ERR              TO MSG-AREA
PERFORM HANDLE-TCPCICS    THRU HANDLE-TCPCICS-EXIT.

MOVE 0 TO HOST-NAME-CHAR-COUNT.
INSPECT HOST-NAME TALLYING HOST-NAME-CHAR-COUNT
FOR CHARACTERS BEFORE X'00'.
UNSTRING HOST-NAME DELIMITED BY X'00'
INTO HOST-NAME-UNSTRUNG
COUNT IN HOST-NAME-CHAR-COUNT.
STRING HOST-NAME-UNSTRUNG DELIMITED BY ' '
INTO GNI-HOST-NAME.
MOVE GNI-HOST-NAME-OK     TO MSG-AREA.
PERFORM HANDLE-TCPCICS    THRU HANDLE-TCPCICS-EXIT.

MOVE 0 TO SERVICE-NAME-CHAR-COUNT.
INSPECT SERVICE-NAME TALLYING SERVICE-NAME-CHAR-COUNT
FOR CHARACTERS BEFORE X'00'.
UNSTRING SERVICE-NAME DELIMITED BY X'00'
INTO SERVICE-NAME-UNSTRUNG
COUNT IN SERVICE-NAME-CHAR-COUNT.
STRING SERVICE-NAME-UNSTRUNG DELIMITED BY ' '
INTO GNI-SERVICE-NAME.
MOVE GNI-SERVICE-NAME-OK TO MSG-AREA.
PERFORM HANDLE-TCPCICS    THRU HANDLE-TCPCICS-EXIT.

DISPLAY 'HOST NAME = ' HOST-NAME.
DISPLAY 'SERVICE = ' SERVICE-NAME.

GET-NAME-INFO-EXIT.
EXIT.

*-----*
*
* RECEIVING DATA THROUGH A SOCKET BY ISSUING 'RCVFROM'
* COMMAND.
*
*-----*

ACCEPT-RCV.

MOVE 'T'                  TO TCP-INDICATOR.
MOVE BUFFER-LENG         TO TCPLENG.
MOVE LOW-VALUES          TO TCP-BUF.

```

```

CALL 'EZASOKET' USING SOKET-RCVFROM
                     CLI-SOCKID
                     TCP-FLAG
                     TCPLNG
                     TCP-BUF
                     SOCKADDR-IN
                     ERRNO
                     RETCODE.

IF RETCODE EQUAL 0 AND TCPLNG EQUAL 0
  THEN NEXT SENTENCE
  ELSE
    IF RETCODE < 0
      THEN
        MOVE ERRNO TO RCVFROM-ERRNO
        MOVE RCVFROM-ERR TO MSG-AREA
        PERFORM HANDLE-TCPCICS THRU
          HANDLE-TCPCICS-EXIT
        MOVE '1' TO TASK-FLAG
      ELSE
        CALL 'EZACIC05' USING TCP-BUF TCPLNG
        IF TCP-BUF-H = LOW-VALUES OR SPACES
          THEN
            MOVE NULL-DATA TO MSG-AREA
            PERFORM HANDLE-TCPCICS THRU
              HANDLE-TCPCICS-EXIT
          ELSE
            IF TCP-BUF-H = 'END'
              THEN MOVE '1' TO TASK-FLAG
            ELSE IF TCP-BUF-H = 'TRM'
              THEN MOVE '2' TO TASK-FLAG
            ELSE PERFORM TALK-CLIENT THRU
              TALK-CLIENT-EXIT
            END-IF
          END-IF
        END-IF
      END-IF
    END-IF
  END-IF.

ACCEPT-RCV-EXIT.
EXIT.

*****
** PROCESSES TALKING TO CLIENT THAT WILL UPDATE DB2 **
** TABLES. **
*****
** DATA PROCESS: **
** **
** INSERT REC - INS,X81,TEST DEPT,A0213B,Y94 **
** UPDATE REC - UPD,X81,,A1234C, **
** DELETE REC - DEL,X81,,, **
** END CLIENT - END,{end client connection } **
** END SERVER - TRM,{terminate server } **
** **
*****

TALK-CLIENT.

UNSTRING TCP-BUF DELIMITED BY DEL-ID OR ALL '*'
  INTO IN-ACT
        IN-DEPTNO
        IN-DEPTN
        IN-MGRNO
        IN-ADMRDEPT.

IF IN-ACT EQUAL 'END'
  THEN
    MOVE '1' TO TASK-FLAG
  ELSE
    IF IN-ACT EQUAL 'U' OR EQUAL 'UPD'
      THEN
        *** EXEC SQL UPDATE TCPCICS.DEPT
        *** SET MGRNO = :IN-MGRNO
        *** WHERE DEPTNO = :IN-DEPTNO
        *** END-EXEC
        MOVE 'UPDATE' TO DB2-ACT
        MOVE 'UPDATED: ' TO DB2M-VAR
      ELSE
        IF IN-ACT EQUAL 'I' OR EQUAL 'INS'

```

```

        THEN
        EXEC SQL INSERT
        INTO TCPCICS.DEPT (DEPTNO,      DEPTNAME,
        MGRNO,      ADMRDEPT)
        VALUES          (:IN-DEPTNO, :IN-DEPTN,
        :IN-MGRNO,   :IN-ADMRDEPT)
        END-EXEC
        MOVE 'INSERT'          TO DB2-ACT
        MOVE 'INSERTED: '     TO DB2M-VAR
    ELSE
        IF IN-ACT EQUAL 'D' OR EQUAL 'DEL'
        THEN
        EXEC SQL DELETE
        FROM TCPCICS.DEPT
        WHERE DEPTNO = :IN-DEPTNO
        END-EXEC
        MOVE 'DELETE'          TO DB2-ACT
        MOVE 'DELETED: '     TO DB2M-VAR
        ELSE
        MOVE KEYWORD-ERR      TO MSG-AREA
        PERFORM HANDLE-TCPCICS THRU
        HANDLE-TCPCICS-EXIT
        END-IF
    END-IF
END-IF
END-IF.

IF DADELETE OR DAINsert OR DAUPDATE
THEN
*      MOVE SQLERRD(3)          TO DB2CODE
      MOVE DB2MSG              TO MSG-AREA
      MOVE LENGTH OF TCPCICS-MSG-AREA TO LENG

      EXEC CICS SYNCPOINT END-EXEC

      EXEC CICS WRITEQ TD
      QUEUE ('CSMT')
      FROM (TCPCICS-MSG-AREA)
      LENGTH (LENG)
      NOHANDLE
      END-EXEC

*****
**      WRITE THE DB2 MESSAGE TO CLIENT.      **
*****

      MOVE TCPCICS-MSG-2          TO TCP-BUF

      CALL 'EZACIC04' USING TCP-BUF TCPLENG

      CALL 'EZASOKET' USING SOKET-WRITE
                          CLI-SOCKID
                          TCPLENG
                          TCP-BUF
                          ERRNO
                          RETCODE

      MOVE LOW-VALUES            TO TCP-BUF
                          TCP-INDICATOR
                          DB2-ACT

      IF RETCODE < 0
      THEN
          MOVE ERRNO              TO WRITE-ERRNO
          MOVE WRITE-ERR          TO MSG-AREA
          PERFORM HANDLE-TCPCICS THRU
          HANDLE-TCPCICS-EXIT
          MOVE '1'                TO TASK-FLAG
      END-IF
END-IF.

TALK-CLIENT-EXIT.
EXIT.

*-----*
*
* CLOSE ORIGINAL SOCKET DESCRIPTOR
*
*-----*

```

CLOSE-SOCKET.

```
CALL 'EZASOKET' USING SOKET-CLOSE
                      SRV-SOCKID
                      ERRNO
                      RETCODE.
```

```
IF RETCODE < 0 THEN
  MOVE ERRNO          TO CLOSE-ERRNO
  MOVE CLOSE-ERR     TO MSG-AREA
  PERFORM HANDLE-TCPCICS THRU HANDLE-TCPCICS-EXIT.
```

CLOSE-SOCKET-EXIT.
EXIT.

```
*-----*
*
* SEND TCP/IP ERROR MESSAGE
*
*-----*
```

HANDLE-TCPCICS.

```
MOVE LENGTH OF TCPCICS-MSG-AREA TO LENG.
```

```
EXEC CICS ASKTIME
      ABSTIME (TSTAMP)
      NOHANDLE
END-EXEC.
```

```
EXEC CICS FORMATIME
      ABSTIME (TSTAMP)
      MMDDYY (MSGDATE)
      TIME (MSGTIME)
      DATESEP ('/')
      TIMESEP (':')
      NOHANDLE
END-EXEC.
```

```
EXEC CICS WRITEQ TD
      QUEUE ('CSMT')
      FROM (TCPCICS-MSG-AREA)
      RESP (RESPONSE)
      LENGTH (LENG)
END-EXEC.
```

```
IF RESPONSE = DFHRESP(NORMAL)
  THEN NEXT SENTENCE
ELSE
  IF RESPONSE = DFHRESP(INVREQ)
    THEN MOVE TS-INVREQ-ERR TO MSG-AREA
  ELSE
    IF RESPONSE = DFHRESP(NOTAUTH)
      THEN MOVE TS-NOTAUTH-ERR TO MSG-AREA
    ELSE
      IF RESPONSE = DFHRESP(IOERR)
        THEN MOVE TS-IOERR-ERR TO MSG-AREA
      ELSE MOVE WRITETS-ERR TO MSG-AREA
    END-IF
  END-IF
END-IF.
```

```
IF TCP-INDICATOR = 'T' THEN
  MOVE BUFFER-LENG TO TCPLENG
  MOVE LOW-VALUES TO TCP-BUF
  MOVE TCPCICS-MSG-2 TO TCP-BUF
```

```
CALL 'EZACIC04' USING TCP-BUF TCPLENG
```

```
MOVE ' ' TO TCP-INDICATOR
```

```
CALL 'EZASOKET' USING SOKET-WRITE
                      CLI-SOCKID
                      TCPLENG
                      TCP-BUF
                      ERRNO
                      RETCODE
```

```
IF RETCODE < 0
```

```

        THEN
        MOVE ERRNO                TO WRITE-ERRNO
        MOVE WRITE-ERR           TO MSG-AREA

        EXEC CICS WRITEQ TD
              QUEUE ('CSMT')
              FROM (TCPCICS-MSG-AREA)
              LENGTH (LENG)
              NOHANDLE
        END-EXEC

        IF TASK-TERM OR TASK-END
          THEN NEXT SENTENCE
          ELSE MOVE '1'          TO TASK-FLAG
        END-IF
      END-IF.

      MOVE SPACES                TO MSG-AREA.

HANDLE-TCPCICS-EXIT.
EXIT.

*-----*
*
* SEND DB2      ERROR MESSAGE
*
*-----*

SQL-ERROR-ROU.

*  MOVE SQLCODE          TO SQL-ERR-CODE.
*  MOVE SPACES           TO MSG-AREA.
*  MOVE SQL-ERROR        TO MSG-AREA.

EXEC CICS WRITEQ TD
      QUEUE ('CSMT')
      FROM (TCPCICS-MSG-AREA)
      RESP (RESPONSE)
      LENGTH (LENG)
END-EXEC.

MOVE LOW-VALUES      TO TCP-BUF.
MOVE TCPCICS-MSG-2  TO TCP-BUF.

CALL 'EZACIC04' USING TCP-BUF TCPLENG.

CALL 'EZASOKET' USING SOKET-WRITE
                    CLI-SOCKID
                    TCPLENG
                    TCP-BUF
                    ERRNO
                    RETCODE.

IF RETCODE < 0 THEN
  MOVE ERRNO          TO WRITE-ERRNO
  MOVE WRITE-ERR      TO MSG-AREA
  PERFORM HANDLE-TCPCICS THRU HANDLE-TCPCICS-EXIT.

GO TO PGM-EXIT.

SQL-ERROR-ROU-EXIT.
EXIT.

*-----*
*
* OTHER ERRORS (HANDLE CONDITION)
*
*-----*

INVREQ-ERR-SEC.
  MOVE TCP-EXIT-ERR      TO MSG-AREA.
  PERFORM HANDLE-TCPCICS THRU HANDLE-TCPCICS-EXIT.
  GO TO PGM-EXIT.
IOERR-SEC.
  MOVE IOERR-ERR        TO MSG-AREA.
  PERFORM HANDLE-TCPCICS THRU HANDLE-TCPCICS-EXIT.
  GO TO PGM-EXIT.
LENGERR-SEC.

```



```

        MOVE LENGERR-ERR          TO MSG-AREA.
        PERFORM HANDLE-TCPCICS THRU HANDLE-TCPCICS-EXIT.
        GO TO PGM-EXIT.
NOSPACE-ERR-SEC.
        MOVE NOSPACE-ERR          TO MSG-AREA.
        PERFORM HANDLE-TCPCICS THRU HANDLE-TCPCICS-EXIT.
        GO TO PGM-EXIT.
QIDERR-SEC.
        MOVE QIDERR-ERR           TO MSG-AREA.
        PERFORM HANDLE-TCPCICS THRU HANDLE-TCPCICS-EXIT.
        GO TO PGM-EXIT.
ITEMERR-SEC.
        MOVE ITEMERR-ERR          TO MSG-AREA.
        PERFORM HANDLE-TCPCICS THRU HANDLE-TCPCICS-EXIT.
        GO TO PGM-EXIT.
ENDDATA-SEC.
        MOVE ENDDATA-ERR         TO MSG-AREA.
        PERFORM HANDLE-TCPCICS THRU HANDLE-TCPCICS-EXIT.
        GO TO PGM-EXIT.

```

EZACICAC

The following Assembler socket program is in the SEZAINST data set.

Figure 182. EZACICAC assembler child server sample

```

*****
*
* Module Name:  EZACICAC - This is a very simple child server
*
* Copyright:   Licensed Materials - Property of IBM
*
*             "Restricted Materials of IBM"
*
*             5694-A01
*
*             Copyright IBM Corp. 2003, 2007
*
*             US Government Users Restricted Rights -
*             Use, duplication or disclosure restricted by
*             GSA ADP Schedule Contract with IBM Corp.
*
* Status:     CSV1R9
*
*
* LANGUAGE:   ASSEMBLER
*
* ATTRIBUTES: NON-REUSEABLE
*
* REGISTER USAGE:
*   R1 =
*   R2 =
*   R3 =
*   R4 =
*   R5 =
*   R6 =
*   R7 =
*   R8 =
*   R9 =
*   R10 =
*   R11 =
*   R12 =
*   R13 =
*   R14 =
*   R15 =
*
* INPUT:
*
* OUTPUT:
*
* $MOD(EZACICAC),COMP(CICS),PROD(TCPIP):
*
*
*****
DFHEISTG DSECT
SOCSTG  DS  0F          PROGRAM STORAGE
*

```

```

* Storage to format messages
*
TMSG      DS      0F              WRITEQ TD Message area
TDDATE    DS      CL8             MM/DD/YY
TDFILL1   DS      CL2
TDTIME    DS      CL8             HH:MM:SS
TDFILL2   DS      CL2
TDTEXT    DS      CL40            TDTEXT
*
          ORG      TDTEXT
TDTEXT0   DS      0CL40
TDCMD     DS      CL16            COMMAND ISSUED
TDRESULT  DS      CL24            SUCCESSFUL/UNSUCCESSFUL
TMSG     EQU      *              End of message
TMSG     EQU      TMSG-TMSG      Length of TD message text
*
* Message to display the clients host name
*
          ORG      TDTEXT
TDHOSTMSG DS      0CL40
TDHOSTLIT DS      CL9
TDHOST    DS      CL31
*
* Message to display the clients service name
*
          ORG      TDTEXT
TDSERVMSG DS      0CL40
TDSERVLIT DS      CL8
TDSERV    DS      CL32
*
TDLEN     DS      H                Length of TD message text
*
* Working storage fields
*
CLENG     DS      H                Length of data to RETRIEVE
UTIME    DS      PL8              ABSTIME data area
DWORK    DS      D                Double work work area
UNPKWRK  DS      CL15             For packing/unpacking
PARMLIST DS      20F             Parm list for EZASOKET calls
*
SOCDESC   DS      H                Socket Descriptor
*
ERRNO     DS      F                ERRNO
RETCODE   DS      F                Return code
*
* Storage to map the clientid structure.
*
CLIENTID DS 0CL40
GIVE_DOM DS F                    Domain of socket given/taken
AS_NAME  DS CL8                  Address space name
TASK_ID  DS CL8                  Task identifier
          DS CL20                 Reserved
*
* Storage to address the Transaction Input Message from the Listener.
*
SOKTIM    DS      0CL1153
SOKDESC   DS      F                Socket descriptor given
SOKLASID  DS      CL8             Listener address space name
SOKLTID   DS      CL8             Listener task identifier
SOKDATA1  DS      CL35            Client input data
SOKTSI    DS      CL1             Threadsafe indicator
SOKADDR   DS      0F              Clients socket address
SOKFAM    DS      H                Address family
SOK_DATA  DS      0C              Protocol specific area
SOK#LEN   EQU      *-SOKADDR
          ORG      SOK_DATA        Start of AF_INET unique area
SOK_SIN   DS      0C
SOK_SIN_PORT DS H                Clients port number
SOK_SIN_CIPAD DS F                Clients INET address (netid)
          DS      CL8              Reserved area not used
          DS      20F
SOK_SIN#LEN EQU *-SOK_SIN
          ORG      SOK_DATA        Start of AF_INET6 unique area
SOK_SIN6  DS      0C
SOK_SIN6_PORT DS H                Clients port number
SOK_SIN6_FLOWINFO DS CL4          Flow information
SOK_SIN6_CIPAD DS CL16            Clients INET address (netid)
SOK_SIN6_SCOPE_ID DS CL4          Scope Id
SOK_SIN6#LEN EQU *-SOK_SIN6
          ORG
          DS      CL68              Reserved
SOKDATAL  DS      H                Length of data area 2

```

```

SOKDATA2 DS    CL999           Data area 2
*
* Program storage marker
*
SOCSTGE EQU    *               End of Program Storage
SOCSTGL EQU    SOCSTGE-SOCSTG  Length of Program Storage
*
* Beginning of program
*
EZACICAC CSECT
EZACICAC AMODE ANY             Addressing mode ...
EZACICAC RMODE ANY            Residency mode ...
SOC0000 DS     0H
B        SOC00100              Branch to startup address
DC       CL17'EZACICAC-EYECATCH'
SOC00100 DS     0H             Beginning of program
LA       R10,SOCSTG            Address Pgm Dynamic Stg
USING   SOCSTG,R10            Tell Assembler about storage
MVC     TDTEXT(40),STARTED_MSG Move STARTED message to TD area
BAL     R7,WRITEQ              Write to TD Queue
MVC     LENG,=H'72'            Length for standard listener
MVC     LENG,=H'1153'          Length for enhanced listener
*
* Retrieve the Task Input Message(TIM) from the Listener
*
EXEC CICS RETRIEVE INTO(SOKTIM) LENGTH(CLENG)
*
* Issue the 'TAKESOCKET' call to acquire the socket which was
* given by the listener program.
*
XC       CLIENTID,CLIENTID     Clear the clientid structure
MVC     GIVE_DOM+2,SOKFAM       Based on the AF in the TIM
MVC     AS_NAME,SOKLASID        Set the address space name
MVC     TASK_ID,SOKLTID         and the subtask identifier
MVC     SOCDESC,SOKDESC+2       and the socket descriptor.
*
CALL    EZASOKET,(SOCTSOCK,SOCDESC,CLIENTID,           X
ERRNO,RETCODE),VL,MF=(E,PARMLIST)

L       R5,ERRNO                Capture the ERRNO and
L       R6,RETCODE              the return code.
C       R6,=F'0'                Is the call successful?
BL      SOCERR                  No! Go display error and terminate
MVC     SOCDESC,RETCODE+2        Yes, format the return code and
MVC     TDCMD,SOCTSOCK           the API function performed.
MVC     TDRESULT(24),SUCC        Move SUCCESSFUL msg to TD area
MVC     TDTEXT(40),TDTEXT0       Move message to TD area
BAL     R7,WRITEQ              Write to TD Queue
*
XC       TCP_BUF,TCP_BUF         Clear the buffer storage
MVC     TCP_BUF(L'TASK_START),TASK_START Set the message
L       R8,=F'50'                Set the
ST      R8,TCPLENG              message length.
*
* Remove the following call to EZACIC04 if using an EBCDIC client.
*
CALL    EZACIC04,(TCP_BUF,TCPLENG),VL,MF=(E,PARMLIST)
*
* Notify client the the child subtask has started.
*
CALL    EZASOKET,(SOCWRITE,SOCDESC,TCPLENG,TCP_BUF,     X
ERRNO,RETCODE),VL,MF=(E,PARMLIST)
*
L       R5,ERRNO                Capture the ERRNO and
L       R6,RETCODE              the return code.
C       R6,=F'0'                Is the call successful?
BL      SOCERR                  No! Go display error and terminate
MVC     TDCMD,SOCWRITE           the API function performed.
MVC     TDRESULT(24),SUCC        Move SUCCESSFUL msg to TD area
MVC     TDTEXT(40),TDTEXT0       Move message to TD area
BAL     R7,WRITEQ              Write to TD Queue
*
* Get our peers' socket address
*
CALL    EZASOKET,(SOCGPNA,SOCDESC,PEERADDR,           X
ERRNO,RETCODE),VL,MF=(E,PARMLIST)
*
L       R5,ERRNO                Capture the ERRNO and
L       R6,RETCODE              the return code.
C       R6,=F'0'                Is the call successful?
BL      SOCERR                  No! Go display error and terminate
MVC     TDCMD,SOCGPNA           the API function performed.

```

```

MVC TDRESULT(24),SUCC Move SUCCESSFUL msg to TD area
MVC TDTEXT(40),TDTEXT0 Move message to TD area
BAL R7,WRITEQ Write to TD Queue
*
* Get our client's host name and service name
*
L R8,=F'16' Set the sockaddr length to IPv4
CLC SOKFAM,=AL2(AF_INET) Is the client AF_INET ?
BE SET_SOCKADDR_LEN Yes. Go store the length.
L R8,=F'28' Set the sockaddr length to IPv6
SET_SOCKADDR_LEN DS 0H
ST R8,PEERADDR_LEN Save the value of the sockaddr length
L R8,=F'0' Clear the
ST R8,GNI_FLAGS flags
XC PEER_HOSTNAME,PEER_HOSTNAME Clear the host name storage
L R8,=F'255' Set the length of
ST R8,PEER_HOSTNAMELEN the host name storage
XC PEER_SERVICENAME,PEER_SERVICENAME Clear the service X
name storage
L R8,=F'32' Set the length of
ST R8,PEER_SERVICENAMELEN the service name storage
*
CALL EZASOKET,(SOCGNI,PEERADDR,PEERADDR_LEN, X
PEER_HOSTNAME,PEER_HOSTNAMELEN, X
PEER_SERVICENAME,PEER_SERVICENAMELEN, X
GNI_FLAGS, X
ERRNO,RETCODE),VL,MF=(E,PARMLIST)
*
L R5,ERRNO Capture the ERRNO and
L R6,RETCODE the return code.
C R6,=F'0' Is the call successful?
BL SOCERR No! Go display error and terminate
MVC TDCMD,SOCGNI the API function performed.
MVC TDRESULT(24),SUCC Move SUCCESSFUL msg to TD area
MVC TDTEXT(40),TDTEXT0 Move message to TD area
BAL R7,WRITEQ Write to TD Queue
*
* Display the host name
*
MVC TDHOSTLIT,=C'HOSTNAME='
MVC TDHOST(L'TDHOST),PEER_HOSTNAME
MVC TDTEXT(40),TDHOSTMSG Move message to TD area
BAL R7,WRITEQ Write to TD Queue
*
* Display the service name
*
MVC TDHOSTLIT,=C'SERVICE='
MVC TDSERV(L'TDSERV),PEER_SERVICENAME
MVC TDTEXT(40),TDSERVMSG Move message to TD area
BAL R7,WRITEQ Write to TD Queue
*
* Receive data from the client
*
AGAIN1 DS 0H
*
XC TCP_BUF,TCP_BUF Clear the buffer storage
*
CALL EZASOKET,(SOCRECV,SOCDESC,RECV_FLAG,TCPLENG,TCP_BUF, X
ERRNO,RETCODE),VL,MF=(E,PARMLIST)
*
L R5,ERRNO Capture the ERRNO and
L R6,RETCODE the return code.
C R6,=F'0' Is the call successful?
BL SOCERR No! Go display error and terminate
MVC TDCMD,SOCRECV the API function performed.
MVC TDRESULT(24),SUCC Move SUCCESSFUL msg to TD area
MVC TDTEXT(40),TDTEXT0 Move message to TD area
BAL R7,WRITEQ Write to TD Queue
*
* Remove the following call to EZACIC05 if using an EBCDIC client.
*
CALL EZACIC05,(TCP_BUF,TCPLENG),VL,MF=(E,PARMLIST)
*
* Determine whether the client is finished sending data
*
CLC TCP_BUF_H,=C'END'
BE SIGNAL_CLOSING
CLC TCP_BUF_H,=C'end'
BE SIGNAL_CLOSING
*
* Remove the following call to EZACIC04 if using an EBCDIC client.
*

```

```

CALL EZACIC04,(TCP_BUF,TCPLENG),VL,MF=(E,PARMLIST)
*
* Echo the data received back to the client
*
CALL EZASOKET,(SOCWRITE,SOCDESC,TCPLENG,TCP_BUF,          X
ERRNO,RETCODE),VL,MF=(E,PARMLIST)
*
L    R5,ERRNO          Capture the ERRNO and
L    R6,RETCODE        the return code.
C    R6,=F'0'          Is the call successful?
BL   SOCERR            No! Go display error and terminate
MVC  TDCMD,SOCWRITE    the API function performed.
MVC  TDRESULT(24),SUCC Move SUCCESSFUL msg to TD area
MVC  TDTEXT(40),TDTEXT0 Move message to TD area
BAL  R7,WRITEQ         Write to TD Queue
*
* Go receive another message
*
B    AGAIN1
*
* Tell client the connection will close.
*
SIGNAL_CLOSING DS 0H
XC   TCP_BUF,TCP_BUF   Clear the buffer storage
MVC  TCP_BUF(L'WRKEND),WRKEND Set the message
L    R8,=F'50'         Set the
ST   R8,TCPLENG       message length.
*
* Remove the following call to EZACIC04 if using an EBCDIC client.
*
CALL EZACIC04,(TCP_BUF,TCPLENG),VL,MF=(E,PARMLIST)
*
* Notify the client that the connection will end.
*
CALL EZASOKET,(SOCWRITE,SOCDESC,TCPLENG,TCP_BUF,          X
ERRNO,RETCODE),VL,MF=(E,PARMLIST)
*
L    R5,ERRNO          Capture the ERRNO and
L    R6,RETCODE        the return code.
C    R6,=F'0'          Is the call successful?
BL   SOCERR            No! Go display error and terminate
MVC  TDCMD,SOCWRITE    the API function performed.
MVC  TDRESULT(24),SUCC Move SUCCESSFUL msg to TD area
MVC  TDTEXT(40),TDTEXT0 Move message to TD area
BAL  R7,WRITEQ         Write to TD Queue
*
* Close the socket
*
CALL EZASOKET,(SOCCLOSE,SOCDESC,          X
ERRNO,RETCODE),VL,MF=(E,PARMLIST)
*
L    R5,ERRNO          Capture the ERRNO and
L    R6,RETCODE        the return code.
C    R6,=F'0'          Is the call successful?
BL   SOCERR            No! Go display error and terminate
MVC  TDCMD,SOCCLOSE    Yes, format the API function performed
MVC  TDRESULT(24),SUCC Move SUCCESSFUL msg to TD area
MVC  TDTEXT(40),TDTEXT0 Move message to TD area
BAL  R7,WRITEQ         Write to TD Queue
B    SOCRET            Go return to CICS
*
* Error routine for all socket calls
*
SOCERR DS 0H
MVI  FORCMSG,C'Y'      Indicate message should be forced
MVC  TDTEXT(40),=C'SOCKET ERROR
BAL  R7,WRITEQ         Write to TD Queue
L    R6,RETCODE        Pick up the return code value
L    R5,ERRNO          Pick up the ERRNO value
*
CVD  R6,DWORK          Format the return code
UNPK TDRETC,DWORK+4(4) for printing to the
OI   TDRETC+6,X'F0'    TD queue
*
CVD  R5,DWORK          Format the ERRNO
UNPK TDERRNO,DWORK+4(4) for printing to the
OI   TDERRNO+6,X'F0'  TD queue
*
MVC  TDTEXT(40),TDTEXT5 Move the return code and ERRNO to
BAL  R7,WRITEQ         the TD queue. Write to the TD queue
*
B    SOCRET            Go return to CICS

```

```

*
* Subroutine to write messages to the destination "CSMT" for logging
*
WRITEQ  DS  0H
        CLI  SOKTSI,C'1'      Is interface using OTE ?
        BNE  WRITEQ01        No, write message.
        CLI  FORCEMSG,C'Y'    Is this an error message ?
        BNE  WRITEQ02        Yes, bypass writing message.
WRITEQ01 DS  0H
        EXEC CICS ASKTIME ABSTIME(UTIME)
        EXEC CICS FORMATIME ABSTIME(UTIME)
        DATESEP('/') DDMMYY(TDDATE)
        TIME(TDTIME) TIMESEP
        LA   R6,TDMSG
        STH  R6,TDLEN
        EXEC CICS WRITEQ TD QUEUE('CSMT')
        FROM(TDMSG)
        LENGTH(TDLEN)
WRITEQ02 DS  0H
        XC   TDMSG,TDMSG
        BR   R7              Return to caller
*
* Socket family values
*
AF_INET  DC  F'2'           AF_INET
AF_INET6 DC  F'19'         AF_INET6
AF_INET  EQU  2
AF_INET6 EQU  19
*
* Socket protocol values
*
SSTREAM DC  F'1'           socket type stream
SDATAGRM DC F'2'           socket type datagram
SRAW    DC  F'3'           socket type raw
*
* IP CICS Socket API functions
*
SOCACCT DC  CL16'ACCEPT    '
SOCBIND DC  CL16'BIND      '
SOCCLOSE DC CL16'CLOSE     '
SOCCONNT DC CL16'CONNECT  '
SOCFCNTL DC CL16'FCNTL    '
SOCGCLID DC CL16'GETCLIENTID
SOCGTHBA DC CL16'GETHOSTBYADDR
SOCGTHBN DC CL16'GETHOSTBYNAME
SOCGTHID DC CL16'GETHOSTID
SOCGTHN DC  CL16'GETHOSTNAME
SOCGPNA DC  CL16'GETPEERNAME
SOCGNI DC   CL16'GETNAMEINFO
SOCFAI DC   CL16'FREEADDRINFO
SOCGAI DC   CL16'GETADDRINFO
SOCGTSN DC  CL16'GETSOCKNAME
SOCGSOPT DC CL16'GETSOCKOPT
SOCGSOCK DC CL16'GIVESOCKET
SOCINIT DC  CL16'INITAPI   '
SOCIOCTL DC CL16'IOCTL     '
SOCLISTN DC CL16'LISTEN   '
SOCNTOP DC  CL16'NTOP     '
SOCPTON DC  CL16'PTON     '
SOCREAD DC  CL16'READ     '
SOCREADV DC CL16'READV    '
SOCRECV DC  CL16'RECV     '
SOCRECVF DC CL16'RECVFROM
SOCRECVM DC CL16'RECVMSG  '
SOCSELCT DC CL16'SELECT   '
SOCSELX DC  CL16'SELECTEX
SOCSEND DC  CL16'SEND     '
SOCSENDM DC CL16'SENDMSG  '
SOCSENDT DC CL16'SENDTO   '
SOCSSOPT DC CL16'SETSOCKOPT
SOCSHUTD DC CL16'SHUTDOWN '
SOCCKET DC  CL16'SOCKET   '
SOCTSOCK DC CL16'TAKESOCKET
SOCTERM DC  CL16'TERMAPI  '
SOCWRITE DC CL16'WRITE    '
SOCWRITV DC CL16'WRITEV   '
ZERO     DC  F'0'
*
* Message(s) written to the transient data queue
*
STARTED_MSG DC CL40'EZACICAC Started successfully '
STOPPED_MSG DC CL40'EZACICAC Stopped successfully '

```

```

NOCOMMAREA DC CL40'EZACICAC ***ERROR*** NO COMMAREA PASSED!'
TASK_START DC CL40'TASK STARTING THRU CICS/TCPIP INTERFACE '
WRKEND DC CL20'CONNECTION END
*
* Message buffer for data from/to client
*
TCP_BUF DS 0CL200 Buffer
TCP_BUF_H DC CL3' '
TCP_BUF_DATA DC CL197' '
TCPLENG DC F'200' Length of buffer
*
* Peers sockaddr
*
PEERADDR DS 0F Clients socket address
PEERFAM DS H Address family
PEER_DATA DS 0C Protocol specific area
PEER#LEN EQU *-PEERADDR
ORG PEER_DATA Start of AF_INET unique area
PEER_SIN DS 0C
PEER_SIN_PORT DS H Clients port number
PEER_SIN_ADDR DS F Clients INET address (netid)
DS CL8 Reserved area not used
DS 20F
PEER_SIN#LEN EQU *-PEER_SIN Length of AF_INET area
ORG PEER_DATA Start of AF_INET6 unique area
PEER_SIN6 DS 0C
PEER_SIN6_PORT DS H Clients port number
PEER_SIN6_FLOWINFO DS CL4 Flow information
PEER_SIN6_ADDR DS CL16 Clients INET address (netid)
PEER_SIN6_SCOPE_ID DS CL4 Scope Id
PEER_SIN6#LEN EQU *-PEER_SIN6 Length of AF_INET6 area
*
PEERADDR_LEN DS F
*
* Peers HOST/SERVICE NAME/LEN
*
PEER_HOSTNAME DS CL255
PEER_HOSTNAMELEN DS F
PEER_SERVICENAME DS CL32
PEER_SERVICENAMELEN DS F
*
* Receive Flag
*
GNI_FLAGS DS F GETNAMEINFO flags
*
* Receive Flag
*
RECV_FLAG DS F RECEIVE flags
*
*
*
TDTEXT5 DS 0CL40
DC CL10'Retcode = '
TDRETC DC CL7' ' Printable RETCODE
DC CL3' '
DC CL9'ERRNO = '
TDERRNO DC CL7' ' Printable ERRNO
DC CL4' '
*
*
*
SUCC DC CL24'Successful '
NOTSUCC DC CL24'Not successful '
FORCEMSG DS CL1 Used to force the message when threadsafe
LTORG
YREGS
*
* All done. Return to CICS...
*
SOCKET DS 0H
MVC TDTEXT(40),STOPPED_MSG Move STOPPED message to TD area
BAL R7,WRITEQ Write to TD Queue
EXEC CICS RETURN
END

```

EZACICAS

The following Assembler socket program is in the SEZAINST data set.

Figure 183. EZACICAS assembler iterative server sample

```

*ASM XOPTS(NOPROLOG)
*****
*
* Module Name:  EZACICAS - This is a sample iterative server      *
*
* Copyright:   Licensed Materials - Property of IBM              *
*
*              "Restricted Materials of IBM"                      *
*
*              5694-A01                                          *
*
*              Copyright IBM Corp. 2003, 2007                   *
*
*              US Government Users Restricted Rights -          *
*              Use, duplication or disclosure restricted by      *
*              GSA ADP Schedule Contract with IBM Corp.        *
*
* Status:     CSV1R9                                           *
*
*
* LANGUAGE:   ASSEMBLER                                         *
*
* ATTRIBUTES: NON-REUSEABLE                                     *
*
* REGISTER USAGE:                                             *
*   R1 =                                             *
*   R2 =                                             *
*   R3 = BASE REGISTER                                         *
*   R4 = BASE REGISTER                                         *
*   R5 =                                             *
*   R6 = WORK                                                 *
*   R7 = SUBROUTINE                                           *
*   R8 = WORK                                                 *
*   R9 = GWA REGISTER                                         *
*   R10 =                                                    *
*   R11 = EIB REGISTER                                        *
*   R12 =                                                    *
*   R13 = DATA REGISTER                                       *
*   R14 =                                                    *
*   R15 =                                                    *
*
* INPUT:
*
* OUTPUT:
*
* $MOD(EZACICAS),COMP(CICS),PROD(TCPIP):
*
*****
EZACICAS CSECT
      DFHEIENT CODEREG=(3,4),  Base registers for the program      X
      DATAREG=(13),           Base register for data                X
      EIBREG=(11)             Base register for CICS EIB
EZACICAS AMODE ANY ADDRESSING MODE ...
EZACICAS RMODE ANY RESIDENCY MODE ...
      B   SRV60000             Branch to startup address
      DC  CL17'EZACICAS-EYECATCH'
SRV60000 DS   0H              Beginning of program
      USING GWA0000,R9        Address GWA storage
      MVC  MODULE,=C'EZACICAS: '
*
* Establish conditions to be ignored
*
      EXEC CICS IGNORE CONDITION TERMERR EOC SIGNAL NOTALLOC
*
* Establish conditions to be handled
*
      EXEC CICS HANDLE CONDITION ENDDATA(ENDDATA_ERR),           X
      IOERR(IOERR_ERR),                                         X
      LENGERR(LENGERR_ERR),                                     X
      NOSPACE(NOSPACE_ERR),                                    X
      QIDERR(QIDERR_ERR)
*
* Send message that server has started.
*
*   XC  MSGAREA,MSGAREA    Clear the message buffer
*   MVC MSGAREA(L'STARTOK),STARTOK Move STARTED message

```



```

        BAL   R7,HANDLE_TCPCICS  Write to TD Queue
*
* Determine the CICS Applid
*
        EXEC CICS ASSIGN APPLID(APPLID)
*
* Before the server can start, determine whether the IP CICS Sockets
* interface is active.
*
        EXEC CICS PUSH HANDLE
        EXEC CICS HANDLE CONDITION INVEXITREQ(TCP_TRUE_REQ),          X
            NOTAUTH(NOTAUTH_ERR)
        EXEC CICS EXTRACT EXIT PROGRAM('EZACIC01'),                    X
            GASET(R9) GALENGTH(GWALEN)
*
        EXEC CICS POP HANDLE
*
* At startup , the server requires the port number which it will use
* for its passive socket.
*
* Invocation: <server>,<port number>
*   where server is the CICS Transaction name assigned to EZACICAS
*   and port number is a port to which EZACICA will bind as its
*   passive socket.
*   TERMINAL => SRV6 04000
*   LISTENER => SRV6,04000
*   CECI     => CECI START TR(SRV6) FROM(04000)
*
* THE LEADING SPACES ARE SIGNIFICANT.
*
        XC   TCP_INPUT_DATA,TCP_INPUT_DATA Clear input data area
        L    R8,ZERO
        STH  R8,TRMNL_LEN
        L    R8,TEN           Look for up to ten bytes data
        STH  R8,TRMNL_MAXLEN  from the terminal
*
        EXEC CICS RECEIVE INTO(TCP_INPUT_DATA) LENGTH(TRMNL_LEN)      X
            MAXLENGTH(TRMNL_MAXLEN)
*
        LH   R8,TRMNL_LEN     Check the amount of data received
        C    R8,TEN           from the terminal. Was it 10?
        BE   USE_RECEIVED_PORT Yes, go determine the port number
*
        XC   TCP_INPUT_DATA,TCP_INPUT_DATA Clear input data area
        L    R8,=F'1153'
        STH  R8,RETRIEVE_LEN  from The Listener
        MVC  TRANS,EIBTRNID   Copy the passed trans
*
        EXEC CICS RETRIEVE INTO(TCP_INPUT_DATA) LENGTH(RETRIEVE_LEN)
*
* Determine if the server was started by CECI or a listener.
*
        LH   R8,RETRIEVE_LEN  Load the RETRIEVED length
        C    R8,CECI_LEN      Is it less than 5?
        BNH  USE_RETRIEVED_PORT Yes. Go use the RETRIEVE'd port
        OI   TAKESOCKET_SWITCH,X'01' Otherwise indicate the server  X
            was started by the Listener
        MVC  BIND_PORT(5),CLIENT_IN_DATA For the LISTEN message
        PACK DWORK(8),CLIENT_IN_DATA(5) Use port from TIM
        B    CONVERT_PORT     Go convert it to binary format
USE_RECEIVED_PORT DS 0H
        MVC  BIND_PORT(5),TCP_INPUT_DATA+5 For the LISTEN message
        PACK DWORK(8),TCP_INPUT_DATA+5(5) Use the port RECEIVE'd
        B    CONVERT_PORT
USE_RETRIEVED_PORT DS 0H
        MVC  BIND_PORT(5),TCP_INPUT_DATA For the LISTEN message
        PACK DWORK(8),TCP_INPUT_DATA(5) Use the port RETRIEVE'd
CONVERT_PORT DS 0H
        CVB  R8,DWORK         Convert user supplied port to binary
        STH  R8,PORT          and save it for the passive socket
*
* If the server was started by a listener, then we must take the socket
* given. Otherwise, we should proceed with an INITAPI.
*
        TM   TAKESOCKET_SWITCH,X'01' Do we need to use TAKESOCKET ?
        BO   LISTENER_STARTED_TASK Yes. Go issue TAKESOCKET
*
* Since the server was not started by a listener, we should initialize
* the IP CICS Sockets interface.
*
INIT_SOCKETS DS 0H

```

```

MVC  SUBTASKNO,EIBTASKN Use the CICS task number
*
CALL  EZASOKET,(SOCINIT,MAXSOC,IDENT,INIT_SUBTASKID,MAXSNO,  X
      ERRNO,RETCODE),VL,MF=(E,PARMLIST)
*
L     R5,ERRNO          Check for successful call
L     R6,RETCODE       Check for successful call
MVC  MSGCMD,SOCINIT    Show the API command
C     R6,ZERO          Is it less than zero
BL   SOCERR           Yes, go display error and terminate
MVC  MSGRESULT(L'SUCC),SUCC Move SUCCESSFUL msg to TD area
BAL  R7,HANDLE_TPCICIS Write to TD Queue
MVI  TERMAPI_REQUIRED_SW,C'Y' Since we did an INITAPI.
*
* Get an AF_INET6 socket.  If unsuccessful, then get an AF_INET socket.
*
SOCKET_BIND_LISTEN DS 0H
*
CALL  EZASOKET,(SOCOKET,AFINET6,SSTREAM,ZERO,  X
      ERRNO,RETCODE),VL,MF=(E,PARMLIST)
*
L     R5,ERRNO          Check for successful call
L     R6,RETCODE       Check for successful call
MVC  MSGCMD,SOCOKET    Show the API command
C     R6,ZERO          Is it less than zero
BL   GET_IPV4_SOCKET  Yes, go get an IPv4 socket
STH  R6,SRV_SOCKETID  Save the new socket descriptor
MVC  MSGRESULT(L'SUCC),SUCC Move SUCCESSFUL msg to TD area
BAL  R7,HANDLE_TPCICIS Write to TD Queue
*
* Setup an IPv6 sockaddr.
*
MVC  SAIN_SOCKET_FAMILY,=AL2(AF_INET6) Set family to AF_INET6
XC   SAIN_SOCKET_SIN6_FLOWINFO,SAIN_SOCKET_SIN6_FLOWINFO  X
      Flow info is zeros
MVC  SAIN_SOCKET_SIN6_ADDR,IN6ADDR_ANY Use IN6ADDR_ANY
XC   SAIN_SOCKET_SIN6_SCOPE_ID,SAIN_SOCKET_SIN6_SCOPE_ID  X
      Scope ID is zeros
MVC  SAIN_SOCKET_SIN6_PORT,PORT Use the user specified port
B    BIND_SERVER_SOCKET Now go issue a BIND
*
GET_IPV4_SOCKET DS 0H
CALL  EZASOKET,(SOCOKET,AFINET,SSTREAM,ZERO,  X
      ERRNO,RETCODE),VL,MF=(E,PARMLIST)
*
L     R5,ERRNO          Check for successful call
L     R6,RETCODE       Check for successful call
MVC  MSGCMD,SOCOKET    Show the API command
C     R6,ZERO          Is it less than zero
BL   SOCERR           Yes, go display error and terminate
STH  R6,SRV_SOCKETID  Save the new socket descriptor
MVC  MSGRESULT(L'SUCC),SUCC Move SUCCESSFUL msg to TD area
BAL  R7,HANDLE_TPCICIS Write to TD Queue
*
* Setup an IPv4 sockaddr
*
XC   SOCKADDR_IN(28),SOCKADDR_IN Clear the sockaddr storage
MVC  SAIN_SOCKET_FAMILY,=AL2(AF_INET) Set family to AF_INET
MVC  SAIN_SOCKET_SIN_ADDR,INADDR_ANY Use INADDR_ANY
MVC  SAIN_SOCKET_SIN_PORT,PORT Use the user specified port
*
* Bind the socket to the service port to establish a local address for
* processing incoming connections.
*
BIND_SERVER_SOCKET DS 0H
*
CALL  EZASOKET,(SOCBIND,SRV_SOCKETID,SOCKADDR_IN,  X
      ERRNO,RETCODE),VL,MF=(E,PARMLIST)
*
L     R5,ERRNO          Check for successful call
L     R6,RETCODE       Check for successful call
MVC  MSGCMD,SOCBIND    Show the API command
C     R6,ZERO          Is it less than zero
BL   SOCERR           Yes, go display error and terminate
MVC  MSGRESULT(L'SUCC),SUCC Move SUCCESSFUL msg to TD area
BAL  R7,HANDLE_TPCICIS Write to TD Queue
*
* Call the LISTEN command to allow server to prepare a socket for
* incoming connections and set the maximum number of connections.
*
MVC  BACKLOG,TEN      Set backlog to 10
*

```

```

CALL EZASOKET,(SOCLISTN,SRV_SOCKETID,BACKLOG,
ERRNO,RETCODE),VL,MF=(E,PARMLIST) X
*
L R5,ERRNO Check for successful call
L R6,RETCODE Check for successful call
MVC MSGCMD,SOCLISTN
C R6,ZERO Is it less than zero
BL SOCERR Yes, go display error and terminate
MVC MSGRESULT(L'SUCC),SUCC Move SUCCESSFUL msg to TD area
BAL R7,HANDLE_TPCICIS Write to TD Queue
*
* Show server is ready to process client connections.
*
L R6,TWO Force client socket descriptor
STH R6,CLI_SOCKETID to be 2.
MVC MSGAREA(L'LISTEN_SUCC),LISTEN_SUCC
BAL R7,HANDLE_TPCICIS Write to TD Queue
*
* Create a read mask for the SELECT command
*
L R8,NUM_FDS Get the number of allowed FD's
A R8,ONE and add one
ST R8,NFDS for the SELECT call.
*
* Determine status IP CICS Sockets Interface
*
CLI GWATSTAT,GWATIMED Are we in immediate termination
BE SOCRET Return if so
CLI GWATSTAT,GWATQUIE Are we in quiescent termination
BNE SET_SELECT_BIT_MASK No, continue with SELECT
B CLOSEDOWN
*
* Create the read bitmask
*
SET_SELECT_BIT_MASK DS 0H
LH R6,SRV_SOCKETID Get the servers socket descriptor
SRDL R6,5 Compute the word number
SRL R7,27 Compute the socket number within the X
mask word.
SLR R8,R8 Clear work register
LA R8,1 Set high-order bit
SLL R8,0(R7) Create mask word
ST R8,SAVER8 Save mask word
SLL R6,2 Compute the offset
LA R7,READMASK Address the read mask storage
LA R7,0(R6,R7) Point to the word
OC 0(4,R7),SAVER8 Turn on bits
*
* SELECT client connections
*
ACCEPT_CLIENT_REQ DS 0H
*
CALL EZASOKET,(SOCSELCT,NFDS,TIMEVAL,
READMASK,DUMYMASK,DUMYMASK,
REPLY_RDMASK,DUMYMASK,DUMYMASK,
ERRNO,RETCODE),VL,MF=(E,PARMLIST) X
X
X
*
L R5,ERRNO Check for successful call
L R6,RETCODE Check for successful call
ST R6,SELECT_RETCODE Save the SELECT return code
MVC MSGCMD,SOCSELCT
C R6,ZERO Is it less than zero
BL SOCERR Yes, go display error and terminate
MVC MSGRESULT(L'SUCC),SUCC Move SUCCESSFUL msg to TD area
BAL R7,HANDLE_TPCICIS Write to TD Queue
*
* Check the return code to determine if any sockets are ready to be
* accepted. If RETCODE is zero then there are no sockets ready.
*
L R6,SELECT_RETCODE Retrieve the SELECT return code
C R6,ZERO Any sockets ready ?
BE ACCEPT_CLIENT_REQ No. Go back and SELECT again
*
* Accept the client request.
*
CALL EZASOKET,(SOCACCT,SRV_SOCKETID,SOCKADDR_IN,
ERRNO,RETCODE),VL,MF=(E,PARMLIST) X
*
L R5,ERRNO Check for successful call
L R6,RETCODE Check for successful call
MVC MSGCMD,SOCACCT
C R6,ZERO Is it less than zero

```

```

BL   SOCERR           Yes, go display error and terminate
STH  R6,CLI_SOCKETID Save the new socket descriptor
MVC  MSGRESULT(L'SUCC),SUCC Move SUCCESSFUL msg to TD area
BAL  R7,HANDLE_TPCICIS Write to TD Queue
*
* Get our peers' socket address
*
      CALL  EZASOCKET,(SOCGPEER,CLI_SOCKETID,SOCKADDR_PEER,          X
      ERRNO,RETCODE),VL,MF=(E,PARMLIST)
*
      L     R5,ERRNO           Capture the ERRNO and
      L     R6,RETCODE         the return code.
      MVC  MSGCMD,SOCGPEER     the API function performed.
      C    R6,ZERO             Is the call successful?
      BL   SOCERR             No! Go display error and terminate
      MVC  MSGRESULT(L'SUCC),SUCC Move SUCCESSFUL msg to TD area
      BAL  R7,HANDLE_TPCICIS  Write to TD Queue
*
* Get our client's host name and service name
*
      L     R8,=F'16'          Set the sockaddr length to IPv4
      CLC  PEER_SOCKET_FAMILY,=AL2(AF_INET) Is the client AF_INET ?
      BE  SET_SOCKETADDR_LEN  Yes. Go store the length.
      L     R8,=F'28'          Set the sockaddr length to IPv6
SET_SOCKETADDR_LEN DS 0H
      ST   R8,PEERADDR_LEN     Save the value of the sockaddr length
      L     R8,ZERO            Clear the
      ST   R8,GNI_FLAGS        GETNAMEINFO flags
      XC  PEER_HOSTNAME,PEER_HOSTNAME Clear the host name storage
      L     R8,=F'255'         Set the length of
      ST   R8,PEER_HOSTNAMELEN the host name storage
      XC  PEER_SERVICENAME,PEER_SERVICENAME Clear the service      X
      name storage
      L     R8,=F'32'          Set the length of
      ST   R8,PEER_SERVICENAMELEN the service name storage
*
      CALL  EZASOCKET,(SOCGNI,SOCKADDR_PEER,PEERADDR_LEN,          X
      PEER_HOSTNAME,PEER_HOSTNAMELEN,                               X
      PEER_SERVICENAME,PEER_SERVICENAMELEN,                         X
      GNI_FLAGS,                                                     X
      ERRNO,RETCODE),VL,MF=(E,PARMLIST)
*
      L     R5,ERRNO           Capture the ERRNO and
      L     R6,RETCODE         the return code.
      MVC  MSGCMD,SOCGNI       the API function performed.
      C    R6,ZERO             Is the call successful?
      BL   SOCERR             No! Go display error and terminate
      MVC  MSGRESULT(L'SUCC),SUCC Move SUCCESSFUL msg to TD area
      BAL  R7,HANDLE_TPCICIS  Write to TD Queue
*
* Display the host name
*
      MVC  TDHOST(L'TDHOST),PEER_HOSTNAME
      MVC  MSGAREA(L'TDHOSTMSG),TDHOSTMSG Move message to TD area
      BAL  R7,HANDLE_TPCICIS  Write to TD Queue
*
* Display the service name
*
      MVC  TDSERV(L'TDSERV),PEER_SERVICENAME
      MVC  MSGAREA(L'TDSERVMSG),TDSERVMSG Move message to TD area
      BAL  R7,HANDLE_TPCICIS  Write to TD Queue
*
* Receiving data through a socket by issuing the RECVFROM command.
*
ACCEPT_RECEIVE DS 0H
      MVI  TCP_INDICATOR,C'T'
      MVC  TCPLENG,BUFFER LENG
      XC  TCP_BUF,TCP_BUF      Clear the buffer storage
*
      CALL  EZASOCKET,(SOCRECVF,CLI_SOCKETID,RCVFM_FLAG,TCPLENG,    X
      TCP_BUF,SOCKADDR_IN,                                          X
      ERRNO,RETCODE),VL,MF=(E,PARMLIST)
*
      L     R5,ERRNO           Capture the ERRNO and
      L     R6,RETCODE         the return code.
      ST   R6,RECVFROM_RETURN_CODE Save the RECVFROM return code
      C    R6,ZERO             Is the call successful?
      BL   RECVFROM_ERROR     No!
*
* If the RECVFROM return code is zero and the number of bytes received
* is also zero, then there is nothing further to process.
*

```

```

BE    CHECK_NBYTES    Yes. Go check number bytes received
B    RECVFROM_OK      NO. Go interpret clients data
CHECK_NBYTES DS 0H
L    R6,TCPLENG      Check number of bytes received
C    R6,ZERO          Is it zero ?
BE    ACCEPT_RECEIVE  Yes. Go issue RECVFROM again.
B    RECVFROM_OK      No. Must have received something.
RECVFROM_ERROR DS 0H
MVC  MSGAREA(L'RECVFROM_ERR),RECVFROM_ERR
BAL  R7,HANDLE_TPCICS Write to TD Queue
MVI  TASK_FLAG,C'1'   Force the Client connection to end
B    CLOSE_CLIENT     Go close clients socket
RECVFROM_OK DS 0H
*
* Interpret the clients request.
*
* Remove the following call to EZACIC05 if using an EBCDIC client.
*
*    CALL  EZACIC05,(TCP_BUF,TCPLENG),VL,MF=(E,PARMLIST)
*
CLC  TCP_BUF_H,TCP_BUF_H_LOW_VALUES Display data received
BE  COMMAND_IS_LOW_VALUES from the client as blanks.
CLC  TCP_BUF_H,TCP_BUF_H_SPACES Display data received from
BE  COMMAND_IS_SPACES the client as blanks
CLC  TCP_BUF_H,TCP_BUF_H_END End client connection?
BE  SET_END           Yes.
CLC  TCP_BUF_H,TCP_BUF_H_TRM Terminate server?
BE  SET_TERM          Yes.
*
* Inform the cleint that the server has process the message
*
XC   MSGAREA,MSGAREA
MVC  MSGAREA(L'SERVER_PROC_MSG),SERVER_PROC_MSG
*
EXEC CICS SYNCPOINT
*
EXEC CICS ASKTIME ABSTIME(UTIME) NOHANDLE
EXEC CICS FORMATTIME ABSTIME(UTIME) X
DATESEP('/') MMDDYY(MSGDATE) X
TIME(MSGTIME) TIMESEP(':') NOHANDLE
LA   R6,TCPCICS_MSG_AREA_LEN
STH  R6,TDLEN
EXEC CICS WRITEQ TD QUEUE('CSMT') X
FROM(TCPCICS_MSG_AREA) X
LENGTH(TDLEN)
*
MVC  TCP_BUF,TCPCICS_MSG_AREA_2
*
* Remove the following call to EZACIC04 if using an EBCDIC client.
*
*    CALL  EZACIC04,(TCP_BUF,TCPLENG),VL,MF=(E,PARMLIST)
*
* Write the server process message back to the client
*
CALL  EZASOKET,(SOCWRITE,CLI_SOCKETID,TCPLENG,TCP_BUF, X
ERRNO,RETCODE),VL,MF=(E,PARMLIST)
*
L    R5,ERRNO        Capture the ERRNO and
L    R6,RETCODE      the return code.
MVC  MSGCMD,SOCWRITE the API function performed.
C    R6,ZERO          Is the call successful?
BL  TALK_CLIENT_BAD No! Go display error
MVC  MSGRESULT(L'SUCC),SUCC Move SUCCESSFUL msg to TD area
*
XC   TCP_BUF,TCP_BUF
MVI  TCP_INDICATOR,X'00'
B    ACCEPT_RECEIVE  Go receive more client data
TALK_CLIENT_BAD DS 0H
MVI  TASK_FLAG,C'1'   Force client connection to end.
B    CLOSE_CLIENT
*
* Process command from client
*
COMMAND_IS_LOW_VALUES DS 0H
COMMAND_IS_SPACES DS 0H
XC   MSGRESULT,MSGRESULT
MVC  MSGCMD,SOCRECVF
MVC  MSGRESULT(37),=C'CLIENT COMMAND IS BLANKS OR LOWVALUES'
BAL  R7,HANDLE_TPCICS Write to TD Queue
B    ACCEPT_RECEIVE  Go receive more data from client
SET_END DS 0H
MVI  TASK_FLAG,C'1'

```

```

      B      CLOSE_CLIENT
SET_TERM DS 0H
      MVI   TASK_FLAG,C'2'
      B      CLOSE_CLIENT
*
*   CLOSE CLIENT SOCKET DESCRIPTOR
*
CLOSE_CLIENT DS 0H
      CALL  EZASOKET,(SOCCLOSE,CLI_SOCKID,          X
                ERRNO,RETCODE),VL,MF=(E,PARMLIST)
      L     R5,ERRNO          Check for successful call
      L     R6,RETCODE       Check for successful call
      MVC   MSGCMD,SOCCLOSE
      C     R6,ZERO          Is it less than zero
      BL    SOCERR           Yes, go display error and terminat
      MVC   MSGRESULT(L'SUCC),SUCC Move SUCCESSFUL msg to TD area
      BAL   R7,HANDLE_TPCICIS Write to TD Queue
*
* Determine whether we should select another socket
*
      CLI   TASK_FLAG,C'2'   Terminate server?
      BE    CLOSEDOWN       Yes. Go close passive socket
      MVI   TASK_FLAG,C'0'   Reset the task flag for next client
      B     ACCEPT_CLIENT_REQ Go select new connection.
*
CLOSEDOWN DS 0H
*
* CLOSE SOCKET DESCRIPTOR
*
* SET THE SERVER SOCKET TO NOT LINGER ON THE CLOSE
*
      CALL  EZASOKET,(SOCSETSO,SRV_SOCKID,SOCK#SO_LINGER,ON_ZERO,  X
                EIGHT,ERRNO,RETCODE),VL,MF=(E,PARMLIST)
*
* CLOSE THE SERVER PASSIVE SOCKET
*
      CALL  EZASOKET,(SOCCLOSE,SRV_SOCKID,          X
                ERRNO,RETCODE),VL,MF=(E,PARMLIST)
      L     R5,ERRNO          Check for successful call
      L     R6,RETCODE       Check for successful call
      MVC   MSGCMD,SOCCLOSE
      C     R6,ZERO          Is it less than zero
      BL    SOCERR           Yes, go display error and terminat
      MVC   MSGRESULT(L'SUCC),SUCC Move SUCCESSFUL msg to TD area
      BAL   R7,HANDLE_TPCICIS Write to TD Queue
      CLI   TERMAPI_REQUIRED_SW,C'Y' A TERMAPI needed ?
      BE    TERM_API        Yes, go issue TERMAPI
      B     SCRET           No, return to CICS
*
* Terminate IP CICS Sockets API
*
TERM_API DS 0H
      CALL  EZASOKET,(SOCTERM),VL,MF=(E,PARMLIST)
      MVC   MSGCMD,SOCTERM
      MVC   MSGRESULT(L'SUCC),SUCC Move SUCCESSFUL msg to TD area
      BAL   R7,HANDLE_TPCICIS Write to TD Queue
*
      B     SCRET
*
* Listener Started Task routine.
*
LISTENER_STARTED_TASK DS 0H
*
* Take the socket which was given by the listener.
*
      L     R8,GIVE_TAKE_SOCKET Use the socket descriptor from the
      STH   R8,SOCKET_TO_TAKE   TIM for the TAKESOCKET
      XC    CLIENTID_LSTN,CLIENTID_LSTN Clear the clientid
      LH    R8,STIM_FAMILY     Get the domain from the TIM
      ST    R8,CID_DOMAIN_LSTN Set the domain
      MVC   CID_LSTN_INFO,CLIENTID_PARM Set the Address space and  X
                subtask name.
*
      CALL  EZASOKET,(SOCTSOCK,SOCKET_TO_TAKE,CLIENTID_LSTN,      X
                ERRNO,RETCODE),VL,MF=(E,PARMLIST)
*
      L     R5,ERRNO          Check for successful call
      L     R6,RETCODE       Check for successful call
      MVC   MSGCMD,SOCTSOCK   Set the API name
      C     R6,ZERO          Is it less than zero
      BL    SOCERR           Yes, go display error and terminate
      STH   R6,SRV_SOCKID     Save the taken socket descriptor

```

```

MVC MSGRESULT(L'SUCC),SUCC Move SUCCESSFUL msg to TD area
BAL R7,HANDLE_TCPCICS Write to TD Queue
*
* Inform the client that the server has started.
*
MVC TCPLENG,BUFFER LENG Set the message length
XC TCP_BUF,TCP_BUF Clear the buffer
MVC TCP_BUF(L'STARTOK),STARTOK Move STARTED message
*
* Remove the following call to EZACIC04 if using an EBCDIC client.
*
CALL EZACIC04,(TCP_BUF,TCPLENG),VL,MF=(E,PARMLIST)
*
* Notify client the the child subtask has started.
*
CALL EZASOKET,(SOCWRITE,SRV_SOCKID,TCPLENG,TCP_BUF, X
ERRNO,RETCODE),VL,MF=(E,PARMLIST)
*
L R5,ERRNO Capture the ERRNO and
L R6,RETCODE the return code.
MVC MSGCMD,SOCWRITE the API function performed.
C R6,ZERO Is the call successful?
BL SOCERR No! Go display error and terminate
MVC MSGRESULT(L'SUCC),SUCC Move SUCCESSFUL msg to TD area
BAL R7,HANDLE_TCPCICS Write to TD Queue
*
* Close the taken socket descriptor
*
CALL EZASOKET,(SOCCLOSE,SRV_SOCKID, X
ERRNO,RETCODE),VL,MF=(E,PARMLIST)
L R5,ERRNO Check for successful call
L R6,RETCODE Check for successful call
MVC MSGCMD,SOCLOSE
C R6,ZERO Is it less than zero
BL SOCERR Yes, go display error and terminat
MVC MSGRESULT(L'SUCC),SUCC Move SUCCESSFUL msg to TD area
BAL R7,HANDLE_TCPCICS Write to TD Queue
*
* Continue with server startup
*
B SOCKET_BIND_LISTEN Go continue the server startup
*
* Various routines to process error conditions
*
TCP_TRUE_REQ DS 0H
MVC MSGAREA(L'TCP_EXIT_MSG),TCP_EXIT_MSG
B SEND_ERR_MSG
NOTAUTH_ERR DS 0H
MVC MSGAREA(L'NOTAUTH_MSG),NOTAUTH_MSG
B SEND_ERR_MSG
INVREQ_ERR DS 0H
MVC MSGAREA(L'TCP_EXIT_MSG),TCP_EXIT_MSG
B SEND_ERR_MSG
IOERR_ERR DS 0H
MVC MSGAREA(L'IOERR_MSG),IOERR_MSG
B SEND_ERR_MSG
LENGERR_ERR DS 0H
MVC MSGAREA(L'LENGERR_MSG),LENGERR_MSG
B SEND_ERR_MSG
NOSPACE_ERR DS 0H
MVC MSGAREA(L'NOSPACE_MSG),NOSPACE_MSG
B SEND_ERR_MSG
QIDERR_ERR DS 0H
MVC MSGAREA(L'QIDERR_MSG),QIDERR_MSG
B SEND_ERR_MSG
ITEMERR_ERR DS 0H
MVC MSGAREA(L'ITEMERR_MSG),ITEMERR_MSG
B SEND_ERR_MSG
ENDDATA_ERR DS 0H
MVC MSGAREA(L'ENDDATA_MSG),ENDDATA_MSG
B SEND_ERR_MSG
SEND_ERR_MSG DS 0H
BAL R7,HANDLE_TCPCICS Write to TD Queue
B SOCRET Return to CICS!
*
* Error on EZASOKET call
*
SOCERR DS 0H
MVC MSGAREA(L'MSGCMD),MSGCMD
MVC MSGAREA+16(L'SOCKET_ERR),SOCKET_ERR
BAL R7,HANDLE_TCPCICS Write to TD Queue
*

```

```

L    R6,RETCODE      Pick up the RETCODE value
L    R5,ERRNO       Pick up the ERRNO value
CVD  R6,DWORK       Format the RETCODE
UNPK TDRETC,DWORK+4(4) for printing to the
OI   TDRETC+6,X'F0'   TD queue
*
CVD  R5,DWORK       Format the ERRNO
UNPK TDERRNO,DWORK+4(4) for printing to the
OI   TDERRNO+6,X'F0'   TD queue
*
MVC  MSGAREA(L'TDTEXT5),TDTEXT5 Move the RETCODE and ERRNO X
      to the TD queue area
BAL  R7,HANDLE_TCPCICS Write the message to the TD queue
*
B    SOCRET        Return to CICS
*
* Write a message to the "CSMT" destination queue for logging
*
HANDLE_TCPCICS DS 0H
EXEC CICS ASKTIME ABSTIME(UTIME) NOHANDLE
EXEC CICS FORMATTIME ABSTIME(UTIME) X
      DATESEP('/') MMDDYY(MSGDATE) X
      TIME(MSGTIME) TIMESEP(':') NOHANDLE
LA   R6,TCPCICS_MSG_AREA_LEN
STH  R6,TDLEN
EXEC CICS WRITEQ TD QUEUE('CSMT') X
      FROM(TCPCICS_MSG_AREA) X
      LENGTH(TDLEN)
*
* Tell the client?
*
CLI  TCP_INDICATOR,C'T'
BNE  HANDLE_TCPCICS_RETURN
MVC  TCPLENG,BUFFER LENG
XC   TCP_BUF,TCP_BUF
MVC  TCP_BUF,TCPCICS_MSG_AREA_2
*
* Remove the following call to EZACIC04 if using an EBCDIC client.
*
CALL  EZACIC04,(TCP_BUF,TCPLENG),VL,MF=(E,PARMLIST)
MVI  TCP_INDICATOR,C' '
*
* Notify client the the child subtask has started.
*
CALL  EZASOKET,(SOCWRITE,CLI SOCKID,TCPLENG,TCP_BUF, X
      ERRNO,RETCODE),VL,MF=(E,PARMLIST)
*
L    R5,ERRNO       Capture the ERRNO and
L    R6,RETCODE     the return code.
MVC  MSGCMD,SOCWRITE the API function performed.
C    R6,ZERO        Is the call successful?
BL   HANDLE_TCPCICS_RETURN
MVC  MSGRESULT(L'SUCC),SUCC Move SUCCESSFUL msg to TD area
*
EXEC CICS ASKTIME ABSTIME(UTIME) NOHANDLE
EXEC CICS FORMATTIME ABSTIME(UTIME) X
      DATESEP('/') MMDDYY(MSGDATE) X
      TIME(MSGTIME) TIMESEP(':') NOHANDLE
LA   R6,TCPCICS_MSG_AREA_LEN
STH  R6,TDLEN
EXEC CICS WRITEQ TD QUEUE('CSMT') X
      FROM(TCPCICS_MSG_AREA) X
      LENGTH(TDLEN)
*
HANDLE_TCPCICS_RETURN DS 0H
XC   MSGAREA,MSGAREA
BR   R7            Return to caller
*
* ALL DONE.
*
SOCRET DS 0H
MVC  MSGAREA(L'STOPOK),STOPOK Move STOPPED msg to TD area
BAL  R7,HANDLE_TCPCICS Write to TD Queue
EXEC CICS RETURN
*
* INITAPI parameters
*
MAXSOC DC H'0'      MAXSOC value, use the default
IDENT  DC 0CL16' '
TCPNAME DC CL8'TCPCS ' Name of the TCP
APPLID DC CL8'CICS ' Address space name
INIT_SUBTASKID DS 0CL8 Subtask for INITAPI

```



```

SUBTASKNO DC CL7' ' from EIBTASKN
SUBT_CHAR DC CL1'L' Make server use a non-reusable subtask
MAXSNO DC F'0' Highest socket descriptor available
*
* Sockets address family
*
AFINET DC F'2' AF_INET
AFINET6 DC F'19' AF_INET6
*
* SOCKET FUNCTIONS
*
SOCACCT DC CL16'ACCEPT '
SOCBIND DC CL16'BIND '
SOCCLOSE DC CL16'CLOSE '
SOCCONNT DC CL16'CONNECT '
SOCFCNTL DC CL16'FCNTL '
SOCFAI DC CL16'FREEADDRINFO '
SOCGCLID DC CL16'GETCLIENTID '
SOCGAI DC CL16'GETADDRINFO '
SOCGNI DC CL16'GETNAMEINFO '
SOCGTHID DC CL16'GETHOSTID '
SOCGTHN DC CL16'GETHOSTNAME '
SOCGPEER DC CL16'GETPEERNAME '
SOCGTSN DC CL16'GETSOCKNAME '
SOCGETSO DC CL16'GETSOCKOPT '
SOCGSOCK DC CL16'GIVESOCKET '
SOCINIT DC CL16'INITAPI '
SOCIOCTL DC CL16'IOCTL '
SOCLISTN DC CL16'LISTEN '
SOCNTOP DC CL16'NTOP '
SOCPTON DC CL16'PTON '
SOCREAD DC CL16'READ '
SOCREADV DC CL16'READV '
SOCRECV DC CL16'RECV '
SOCRECVF DC CL16'RECVFROM '
SOCRECVM DC CL16'RECVMSG '
SOCSELECT DC CL16'SELECT '
SOCSELX DC CL16'SELECTEX '
SOCSEND DC CL16'SEND '
SOCSENDM DC CL16'SENDMSG '
SOCSENDT DC CL16'SENDTO '
SOCSETSO DC CL16'SETSOCKOPT '
SOCSOCKET DC CL16'SOCKET '
SOCTSOCK DC CL16'TAKESOCKET '
SOCTERM DC CL16'TERMAPI '
SOCWRITE DC CL16'WRITE '
SOCWRITV DC CL16'WRITEV '
*
* SELECT parms
*
NUM_FDS DC F'5' Number of file descriptors
NFDS DS F
TIMEVAL DC AL4(180),AL4(0)
SELECT_CSOCKET DS 0CL12
READMASK DC XL4'00' SELECT read mask
DUMYMASK DC XL4'00' mask set to binary zeros
REPLY_RDMASK DC XL4'00' SELECT reply read mask
REPLY_RDMASK_FF DS XL4
SELECT_RETCODE DS F Sum of all ready sockets in masks
*
TCPLENG DC F'0'
*
SSTREAM DC F'1' socket type stream
ZERO DC F'0'
ONE DC F'1'
TWO DC F'2'
SIX DC F'6'
EIGHT DC F'8'
TEN DC F'10'
*
* Data for RETRIEVE
*
TRANS DS CL4 Transaction retrieved
LENG DS H Length of data retrieved
CECI_LEN DC F'5' Length of Port from CICS Start
TAKESOCKET_SWITCH DC X'00' Used to drive a TAKESOCKET
TCP_INDICATOR DC CL1' '
TASK_FLAG DC CL1'0' Server task flag
*
TCP_BUF DS 0CL55 Buffer
TCP_BUF_H DC CL3' ' Used to pass the server commands
TCP_BUF_DATA DC CL52' '

```

```

TCP_BUF_H_END DC CL3'END'          Command to end the client connection
TCP_BUF_H_LOW_VALUES DC XL3'000000' Client sent command=low values
TCP_BUF_H_SPACES DC CL3' '        Client sent command=spaces
TCP_BUF_H_TRM DC CL3'TRM'        Command to terminate the server
BUFFER LENG DC F'55'            Length of buffer
*
* LISTEN parms
*
BACKLOG DC F'0'                Backlog for LISTEN
*
* RECVFROM parms
*
RCVFM_FLAG DC F'0'            RCVFROM flag
*
* MESSAGE(S) WRITTEN TO TRANSIENT DATA QUEUE
*
BITMASK_ERR DC CL36'BITMASK CONVERSION - FAILED'
LISTEN_SUCC DS 0CL46
DC CL34'READY TO ACCEPT REQUESTS ON PORT: '
BIND_PORT DC CL5' '
DC CL7' '
ENDDATA_MSG DC CL30'RETRIEVE DATA CAN NOT BE FOUND'
IOERR_MSG DC CL12'IOERR OCCURS'
ITEMERR_MSG DC CL13'ITEMERR ERROR'
LENGERR_MSG DC CL13'LENGERR ERROR'
NOSPACE_MSG DC CL17'NOSPACE CONDITION'
RCVFROM_ERR DC CL36'RECVFROM SOCKET CALL FAILED'
QIDERR_MSG DC CL30'TRANSIENT DATA QUEUE NOT FOUND'
SERVER_PROC_MSG DC CL55'SERVER PROCESSED MESSAGE'
SOCKET_ERR DC CL15'EZASOKET ERROR!'
STARTOK DC CL27'SERVER STARTED SUCCESSFULLY'
STOPOK DC CL27'SERVER STOPPED SUCCESSFULLY'
TCP_EXIT_MSG DC CL31'SERVER STOPPED:TRUE NOT ACTIVE'
NOTAUTH_MSG DC CL31'SERVER STOPPED: NOT AUTHORIZED'
*
* Message to display the clients host name
*
TDHOSTMSG DS 0CL55
TDHOSTLIT DC CL9'HOSTNAME='
TDHOST DC CL46' '
*
* Message to display the clients service name
*
TDSERVMSG DS 0CL55
TDSERVLIT DC CL8'SERVICE='
TDSERV DC CL32' '
DC CL15' '
*
* Message to display EZASOKET RETCODE and ERRNO
*
TDTEXT5 DS 0CL40
DC CL10'RETCODE = '
TDRETC DC CL7' ' Printable RETCODE
DC CL3' '
DC CL9'ERRNO = '
TDERRNO DC CL7' ' Printable ERRNO
DC CL4' '
*
* Misc
*
SUCC DC CL10'SUCCESSFUL'
NOTSUCC DC CL14'NOT SUCCESSFUL'
TERMAPI_REQUIRED_SW DC CL1'N'
ON_ZERO DS 0C
LINGERON DC F'1' On/Off
LINGERTIME DC F'0' Linger time
LTORG
*
* DSECTs
*
EZACICA TYPE=DSECT,AREA=GWA
EZACICA TYPE=DSECT,AREA=TIE
DFHEISTG
SRV6SAVE DS 18F Register Save Area
SRV6STRSV DS F Save area for start subroutine
*
* Socket address structure
*
CNOP 0,8 DOUBLEWORD BOUNDARY
SOCKADDR_IN DS 0F Socket address structure
SAIN SOCK_FAMILY DS H Address Family
SAIN SOCK_DATA DS 0C Protocol specific area

```

```

        ORG SAIN_SOCKET_DATA      Start of AF_INET unique area
SAIN_SOCKET_SIN      DS 0C
SAIN_SOCKET_SIN_PORT DS H      Port number
SAIN_SOCKET_SIN_ADDR DS CL4    IPv4 address
                        DS CL8    Reserved area not used
        ORG SAIN_SOCKET_DATA      Start of AF_INET6 area
SAIN_SOCKET_SIN6     DS 0C
SAIN_SOCKET_SIN6_PORT DS H      Port number
SAIN_SOCKET_SIN6_FLOWINFO DS CL4 Flow Information
SAIN_SOCKET_SIN6_ADDR DS CL16   IPv6 address
SAIN_SOCKET_SIN6_SCOPE_ID DS CL4 Scope id
*
* Peers address structure
*
        CNOP 0,8                  DOUBLEWORD BOUNDARY
SOCKADDR_PEER        DS 0F      Socket address structure
PEER_SOCKET_FAMILY   DS H      Address Family
PEER_SOCKET_DATA      DS 0C      Protocol specific area
        ORG PEER_SOCKET_DATA      Start of AF_INET unique area
PEER_SOCKET_SIN      DS 0C
PEER_SOCKET_SIN_PORT DS H      Port number
PEER_SOCKET_SIN_ADDR DS CL4    IPv4 address
                        DS CL8    Reserved area not used
        ORG PEER_SOCKET_DATA      Start of AF_INET6 area
PEER_SOCKET_SIN6     DS 0C
PEER_SOCKET_SIN6_PORT DS H      Port number
PEER_SOCKET_SIN6_FLOWINFO DS CL4 Flow Information
PEER_SOCKET_SIN6_ADDR DS CL16   IPv6 address
PEER_SOCKET_SIN6_SCOPE_ID DS CL4 Scope id
*
PEERADDR_LEN DS F              Length of Peers sockaddr
*
* Peers HOST/SERVICE NAME/LEN
*
PEER_HOSTNAME DS CL255         Peers Host name
PEER_HOSTNAMELEN DS F          Peers Host name length
PEER_SERVICENAME DS CL32       Peers Service name
PEER_SERVICENAMELEN DS F       Peers Service name length
*
* Receive Flag
*
GNI_FLAGS DS F                  GETNAMEINFO flags
*
* User supplied port to listen on
*
PORT DS H                        User supplied port
*
* Storage used to create a message to be written to the CSMT TD Queue
*
TCPCICS_MSG_AREA DS 0F          TD Message area
TCPCICS_MSG_AREA_1 DS 0C
MSGDATE DS CL8                  MM/DD/YY
MSGFILR1 DS CL2
MSGTIME DS CL8                  HH:MM:SS
MSGFILR2 DS CL2
MODULE DS CL10                  "EZACICAS: "
TCPCICS_MSG_AREA_2 DS 0C
MSGAREA DS CL55
        ORG MSGAREA
MSGCMD DS CL16                  EZASOKET command issued
MSGRESULT DS CL39               Outcome of the command issued
TCPCICS_MSG_AREA_END EQU *      End of message
TCPCICS_MSG_AREA_LEN EQU TCPCICS_MSG_AREA_END-TCPCICS_MSG_AREA      X
        Length of TD message text
*
TDLEN DS H                        Length of TD message text
*
* Various other working storage areas
*
UTIME DS PL8                      ABSTIME data area
DWORK DS D                          Double word work area
UNPKWRK DS CL15                     Unpack work area
PARMLIST DS 20F
*
* Error numbers and return codes
*
ERRNO DS F                          ERRNO
RETCODE DS F                          Return Code
RECVFROM_RETCODE DS F
*
* Client ID from Listener to be used by the TAKESOCKET command
*

```

```

CLIENTID_LSTN DS 0CL40
CID_DOMAIN_LSTN DS F          Domain
CID_LSTN_INFO DS 0CL16
CID_NAME_LSTN DS CL8         Address space name
CID_SUBTNAM_LSTN DS CL8      Subtask name
CID_RES_LSTN DS CL20
*
SOCKET_TO_TAKE DS H          Socket descriptor to take
*
* Data from the CICS RECIEVE command
*
TRMNL_LEN DS H              Length of data RECEIVE'd
TRMNL_MAXLEN DS H
*
* Data from the CICS RETRIEVE command
*
RETRIEVE_LEN DS H          Length of data RETRIEVE'd
*
* Socket descriptors
*
SRV_SOCKETID DS H          Server socket descriptor
CLI_SOCKETID DS H          Client socket descriptor
*
* For saving R8
*
SAVER8 DS F
*
* Server data
*
          CNOP 0,8          DOUBLEWORD BOUNDARY
TCP_INPUT_DATA DS CL85     Data retrieved
          ORG TCP_INPUT_DATA
*
* The Listeners Task Input Message (TIM)
*
TCPSOCKET_PARM DS 0C
GIVE_TAKE_SOCKET DS F
CLIENTID_PARM DS 0CL16
LSTN_NAME DS CL8
LSTN_SUBNAME DS CL8
CLIENT_IN_DATA DS CL35
          DS CL1
SOCKADDR_TIM DS 0F
STIM_FAMILY DS H
STIM_DATA DS 0C
STIM#LEN EQU *-SOCKADDR_TIM
          ORG STIM_DATA
STIM_SIN DS 0C
STIM_SIN_PORT DS H
STIM_SIN_ADDR DS CL4
          DS CL8
          DS 20F
STIM_SIN#LEN EQU *-STIM_SIN
          ORG STIM_DATA
STIM_SIN6 DS 0C
STIM_SIN6_PORT DS H
STIM_SIN6_FLOWINFO DS CL4
STIM_SIN6_ADDR DS CL16
STIM_SIN6_SCOPE_ID DS CL4
STIM_SIN6#LEN EQU *-STIM_SIN6
          ORG
          DS CL68
CLIENT_IN_DATA_LENGTH DS H
CLIENT_IN_DATA_2 DS 0C
*
* Fields for EXTRACT EXIT to determine if IP CICS Sockets interface
* is active.
*
GWALEN DS H
*
          EZBREHST DSECT=NO,LIST=YES,HOSTENT=NO,ADRINFO=NO
          BPXYSOCK DSECT=NO,LIST=YES
          DFHEIEND TERMINATE EXECUTE INTERFACE DYNAMIC STORAGE
          YREGS
          END EZACICAS

```

SELECTEX

The following sample displays COBOL code issuing the SELECTEX socket call:

This is sample COBOL code issuing the SELECTEX socket call:

```
*-----*
* Here is a anotated SAMPLE code from a test tool used to test *
* the SELECTEX: *
*-----*
      WORKING-STORAGE SECTION.
01  SELECT-BITMASK                PIC 9(16) BINARY VALUE 0.
01  SELECT-BITMASK-LEN            PIC 9(8) BINARY VALUE 0.
01  SELECT-CHAR-STRING           PIC X(64).
01  SELECT-MAXSOC                PIC 9(8) BINARY VALUE 0.
01  SELECT-TIMEOUT.
      03  SELECT-TIMEOUT-SECONDS  PIC S9(8) BINARY VALUE 0.
      03  SELECT-TIMEOUT-MICROSEC PIC S9(8) BINARY VALUE 0.
01  SELECT-RSNDMSK              PIC 9(16) BINARY.
01  SELECT-WSNDMSK              PIC 9(16) BINARY.
01  SELECT-ESNDMSK              PIC 9(16) BINARY.
01  SELECT-RRETMSK              PIC 9(16) BINARY.
01  SELECT-WRETMSK              PIC 9(16) BINARY.
01  SELECT-ERETMSK              PIC 9(16) BINARY.
77  SELECT-ECB-PTR              USAGE IS POINTER.

      LINKAGE SECTION.
01  SELECT-ECB                   PIC 9(8) BINARY.

      PROCEDURE DIVISION USING L1.

      PROCESS-SELECTEX.
*
* GET SHARED STORAGE FOR ECB.
*
      EXEC CICS GETMAIN SHARED
          SET (SELECT-ECB-PTR)
          FLENGTH (4)
          INITIMG ('00')
          END-EXEC.
      SET ADDRESS OF SELECT-ECB TO SELECT-ECB-PTR.
      INITIALIZE SELECT-ECB.

*
* WRITE ECB ADDRESS TO TS QUEUE
*
      EXEC CICS WRITEQ TS
          QUEUE ('POSTECB@')
          FROM (SELECT-ECB-PTR)
          LENGTH (4)
          END-EXEC.

*
* SOCKET CALL SELECTEX
*

      MOVE 10 TO SELECT-MAXSOC.

      MOVE -1 TO SELECT-TIMEOUT-SECONDS.
      MOVE -1 TO SELECT-TIMEOUT-MICROSEC.

      MOVE read-send-maskTO SELECT-CHAR-STRING.
      MOVE 64 TO SELECT-BITMASK-LEN.
      CALL 'EZACIC06' USING CTOB
          SELECT-BITMASK
          SELECT-CHAR-STRING
          SELECT-BITMASK-LEN
          RETCODE.
      MOVE SELECT-BITMASK TO SELECT-RSNDMSK.

      MOVE write-send-maskTO SELECT-CHAR-STRING.
      MOVE 64 TO SELECT-BITMASK-LEN.
      CALL 'EZACIC06' USING CTOB
          SELECT-BITMASK
          SELECT-CHAR-STRING
          SELECT-BITMASK-LEN
          RETCODE.
      MOVE SELECT-BITMASK TO SELECT-WSNDMSK.

      MOVE exception-send-maskTO SELECT-CHAR-STRING.
      MOVE 64 TO SELECT-BITMASK-LEN.
      CALL 'EZACIC06' USING CTOB
          SELECT-BITMASK
          SELECT-CHAR-STRING
          SELECT-BITMASK-LEN
```

```

RETCODE.
MOVE SELECT-BITMASK TO SELECT-ESNDMSK.
CALL 'EZASOKET' USING SOKET-SELECTEX
                     SELECT-MAXSOC
                     SELECT-TIMEOUT
                     SELECT-RSNDMSK
                     SELECT-WSNDMSK
                     SELECT-ESNDMSK
                     SELECT-RRETMSK
                     SELECT-WRETMSK
                     SELECT-ERETMSK
                     SELECT-ECB
                     ERRNO
                     RETCODE.

```

```

*
* FREE THE STORAGE FOR THE ECB
*
EXEC CICS FREEMAIN
      DATAPOINTER(SELECT-ECB-PTR)
      END-EXEC.

*
* DELETE THE TS QUEUE
*
EXEC CICS DELETEQ TS
      QUEUE ('POSTECB@')
      END-EXEC.

IF RETCODE < 0 THEN
  MOVE 'SELECTEX FAILED' TO MSG1
ELSE
  MOVE 'SELECTEX PROCESSED' TO MSG1.

MOVE SELECT-RRETMSK TO SELECT-BITMASK.
CALL 'EZACIC06' USING BTOC
                     SELECT-BITMASK
                     SELECT-CHAR-STRING
                     SELECT-BITMASK-LEN
                     RETCODE.

MOVE SELECT-CHAR-STRING TO read-returned-mask.

MOVE SELECT-WRETMSK TO SELECT-BITMASK.
CALL 'EZACIC06' USING BTOC
                     SELECT-BITMASK
                     SELECT-CHAR-STRING
                     SELECT-BITMASK-LEN
                     RETCODE.

MOVE SELECT-CHAR-STRING TO write-returned-mask.

MOVE SELECT-ERETMSK TO SELECT-BITMASK.
CALL 'EZACIC06' USING BTOC
                     SELECT-BITMASK
                     SELECT-CHAR-STRING
                     SELECT-BITMASK-LEN
                     RETCODE.

MOVE SELECT-CHAR-STRING TO exception-returned-mask.

```

```

PROCESS-SELECTEX-EXIT.
EXIT.

```

```

*-----*
* Here is the anotated SAMPLE code from a test tool used to      *
* call the subroutine used to post the ECB:                       *
*-----*

```

```

WORKING-STORAGE SECTION.
01 POST-ECB-ADDRESS          PIC 9(8) BINARY.
01 POST-ECB-LEN             PIC 9(4) BINARY.

```

```

PROCEDURE DIVISION USING L1.

```

```

PROCESS-POSTECB.

```

```

*
* LOOK FOR THE ADDRESS OF THE ECB IN TEMP STORAGE
*
MOVE 4 TO POST-ECB-LEN.

```

```

EXEC CICS READQ TS
      ITEM (1)
      QUEUE ('POSTECB@')
      INTO (POST-ECB-ADDRESS)
      LENGTH (POST-ECB-LEN)
END-EXEC.

CALL 'POSTECB' USING POST-ECB-ADDRESS
      RETCODE.

IF RETCODE < 0 THEN
  MOVE 'POSTECB FAILED'
    TO MSG1
ELSE
  MOVE 'POSTECB PROCESSED'
    TO MSG.

PROCESS-POSTECB-EXIT.
EXIT.

```

```

*-----*
* Here is a sample assembler program that can be used to post the *
* SELECTEX ECB: *
*-----*

```

```

      TITLE 'POSTECB'
POSTECB CSECT ,           ENTRY POINT OF THIS CONTROL SECTION
POSTECB AMODE ANY        ADDRESSING MODE...
POSTECB RMODE ANY        RESIDENCY MODE...
      USING POSTECB,R15  USE ENTRY REGISTER AS BASE
POSTECB MODID            EYECATCHER INFO
      SAVE (14,12)      SAVE THE CALLERS REGISTERS
      LR R9,R15
      DROP R15
      USING POSTECB,R9  USE R90 AS BASE REGISTER
      L R12,0(R1)      LOAD ECB ADDRESS
      L R10,0(0,R12)   LOAD CONTENTS OF ECB
      L R11,NEWECB     LOAD CONTENTS OF NEW ECB
      TM 0(R12),X'80'  CHECK IF WAIT ISSUED
      B0 POST0100      IF YES, ISSUE POST MACRO
      CS R10,R11,0(R12) IF NO, TRY QUICK POST
      BC 4,POST0100    IF UNSUCCESSFUL, ISSUE POST MACRO
      B POST9999       RETURN TO CALLER
POST0100 DS 0H
      POST (R12),255
POST9999 DS 0H
      RETURN (14,12)   RETURN TO CALLER
ECBADDR DS F
NEWECB DC X'400000FF'  ECB WITH POST BIT ON AND CC=255
      LTORG
      YREGS
      END

```

Appendix F. Related protocol specifications

This appendix lists the related protocol specifications (RFCs) for TCP/IP. The Internet Protocol suite is still evolving through requests for comments (RFC). New protocols are being designed and implemented by researchers and are brought to the attention of the Internet community in the form of RFCs. Some of these protocols are so useful that they become recommended protocols. That is, all future implementations for TCP/IP are recommended to implement these particular functions or protocols. These become the *de facto* standards, on which the TCP/IP protocol suite is built.

RFCs are available at <http://www.rfc-editor.org/rfc.html>.

Draft RFCs that have been implemented in this and previous Communications Server releases are listed at the end of this topic.

Many features of TCP/IP Services are based on the following RFCs:

RFC

Title and Author

RFC 652

Telnet output carriage-return disposition option D. Crocker

RFC 653

Telnet output horizontal tabstops option D. Crocker

RFC 654

Telnet output horizontal tab disposition option D. Crocker

RFC 655

Telnet output formfeed disposition option D. Crocker

RFC 657

Telnet output vertical tab disposition option D. Crocker

RFC 658

Telnet output linefeed disposition D. Crocker

RFC 698

Telnet extended ASCII option T. Mock

RFC 726

Remote Controlled Transmission and Echoing Telnet option J. Postel, D. Crocker

RFC 727

Telnet logout option M.R. Crispin

RFC 732

Telnet Data Entry Terminal option J.D. Day

RFC 733

Standard for the format of ARPA network text messages D. Crocker, J. Vittal, K.T. Pogran, D.A. Henderson

RFC 734

SUPDUP Protocol M.R. Crispin

RFC 735

Revised Telnet byte macro option D. Crocker, R.H. Gumpertz

RFC 736

Telnet SUPDUP option M.R. Crispin

RFC 749

Telnet SUPDUP—Output option B. Greenberg

RFC 765

File Transfer Protocol specification J. Postel

RFC 768

User Datagram Protocol J. Postel

RFC 779

Telnet send-location option E. Killian

RFC 791

Internet Protocol J. Postel

RFC 792

Internet Control Message Protocol J. Postel

RFC 793

Transmission Control Protocol J. Postel

RFC 820

Assigned numbers J. Postel

RFC 823

DARPA Internet gateway R. Hinden, A. Sheltzer

RFC 826

Ethernet Address Resolution Protocol: Or converting network protocol addresses to 48.bit Ethernet address for transmission on Ethernet hardware D. Plummer

RFC 854

Telnet Protocol Specification J. Postel, J. Reynolds

RFC 855

Telnet Option Specification J. Postel, J. Reynolds

RFC 856

Telnet Binary Transmission J. Postel, J. Reynolds

RFC 857

Telnet Echo Option J. Postel, J. Reynolds

RFC 858

Telnet Suppress Go Ahead Option J. Postel, J. Reynolds

RFC 859

Telnet Status Option J. Postel, J. Reynolds

RFC 860

Telnet Timing Mark Option J. Postel, J. Reynolds

RFC 861

Telnet Extended Options: List Option J. Postel, J. Reynolds

RFC 862

Echo Protocol J. Postel

RFC 863

Discard Protocol J. Postel

RFC 864

Character Generator Protocol J. Postel

RFC 865

Quote of the Day Protocol J. Postel

RFC 868

Time Protocol J. Postel, K. Harrenstien

RFC 877

Standard for the transmission of IP datagrams over public data networks J.T. Korb

RFC 883

Domain names: Implementation specification P.V. Mockapetris

RFC 884

Telnet terminal type option M. Solomon, E. Wimmers

- RFC 885**
Telnet end of record option J. Postel
- RFC 894**
Standard for the transmission of IP datagrams over Ethernet networks C. Hornig
- RFC 896**
Congestion control in IP/TCP internetworks J. Nagle
- RFC 903**
Reverse Address Resolution Protocol R. Finlayson, T. Mann, J. Mogul, M. Theimer
- RFC 904**
Exterior Gateway Protocol formal specification D. Mills
- RFC 919**
Broadcasting Internet Datagrams J. Mogul
- RFC 922**
Broadcasting Internet datagrams in the presence of subnets J. Mogul
- RFC 927**
TACACS user identification Telnet option B.A. Anderson
- RFC 933**
Output marking Telnet option S. Silverman
- RFC 946**
Telnet terminal location number option R. Nedved
- RFC 950**
Internet Standard Subnetting Procedure J. Mogul, J. Postel
- RFC 952**
DoD Internet host table specification K. Harrenstien, M. Stahl, E. Feinler
- RFC 959**
File Transfer Protocol J. Postel, J.K. Reynolds
- RFC 961**
Official ARPA-Internet protocols J.K. Reynolds, J. Postel
- RFC 974**
Mail routing and the domain system C. Partridge
- RFC 1001**
Protocol standard for a NetBIOS service on a TCP/UDP transport: Concepts and methods NetBios Working Group in the Defense Advanced Research Projects Agency, Internet Activities Board, End-to-End Services Task Force
- RFC 1002**
Protocol Standard for a NetBIOS service on a TCP/UDP transport: Detailed specifications NetBios Working Group in the Defense Advanced Research Projects Agency, Internet Activities Board, End-to-End Services Task Force
- RFC 1006**
ISO transport services on top of the TCP: Version 3 M.T. Rose, D.E. Cass
- RFC 1009**
Requirements for Internet gateways R. Braden, J. Postel
- RFC 1011**
Official Internet protocols J. Reynolds, J. Postel
- RFC 1013**
X Window System Protocol, version 11: Alpha update April 1987 R. Scheifler
- RFC 1014**
XDR: External Data Representation standard Sun Microsystems
- RFC 1027**
Using ARP to implement transparent subnet gateways S. Carl-Mitchell, J. Quarterman

- RFC 1032**
Domain administrators guide M. Stahl
- RFC 1033**
Domain administrators operations guide M. Lottor
- RFC 1034**
Domain names—concepts and facilities P.V. Mockapetris
- RFC 1035**
Domain names—implementation and specification P.V. Mockapetris
- RFC 1038**
Draft revised IP security option M. St. Johns
- RFC 1041**
Telnet 3270 regime option Y. Rekhter
- RFC 1042**
Standard for the transmission of IP datagrams over IEEE 802 networks J. Postel, J. Reynolds
- RFC 1043**
Telnet Data Entry Terminal option: DODIIS implementation A. Yasuda, T. Thompson
- RFC 1044**
Internet Protocol on Network System's HYPERchannel: Protocol specification K. Hardwick, J. Lekashman
- RFC 1053**
Telnet X.3 PAD option S. Levy, T. Jacobson
- RFC 1055**
Nonstandard for transmission of IP datagrams over serial lines: SLIP J. Romkey
- RFC 1057**
RPC: Remote Procedure Call Protocol Specification: Version 2 Sun Microsystems
- RFC 1058**
Routing Information Protocol C. Hedrick
- RFC 1060**
Assigned numbers J. Reynolds, J. Postel
- RFC 1067**
Simple Network Management Protocol J.D. Case, M. Fedor, M.L. Schoffstall, J. Davin
- RFC 1071**
Computing the Internet checksum R.T. Braden, D.A. Borman, C. Partridge
- RFC 1072**
TCP extensions for long-delay paths V. Jacobson, R.T. Braden
- RFC 1073**
Telnet window size option D. Waitzman
- RFC 1079**
Telnet terminal speed option C. Hedrick
- RFC 1085**
ISO presentation services on top of TCP/IP based internets M.T. Rose
- RFC 1091**
Telnet terminal-type option J. VanBokkelen
- RFC 1094**
NFS: Network File System Protocol specification Sun Microsystems
- RFC 1096**
Telnet X display location option G. Marcy
- RFC 1101**
DNS encoding of network names and other types P. Mockapetris

- RFC 1112**
Host extensions for IP multicasting S.E. Deering
- RFC 1113**
Privacy enhancement for Internet electronic mail: Part I — message encipherment and authentication procedures J. Linn
- RFC 1118**
Hitchhikers Guide to the Internet E. Krol
- RFC 1122**
Requirements for Internet Hosts—Communication Layers R. Braden, Ed.
- RFC 1123**
Requirements for Internet Hosts—Application and Support R. Braden, Ed.
- RFC 1146**
TCP alternate checksum options J. Zweig, C. Partridge
- RFC 1155**
Structure and identification of management information for TCP/IP-based internets M. Rose, K. McCloghrie
- RFC 1156**
Management Information Base for network management of TCP/IP-based internets K. McCloghrie, M. Rose
- RFC 1157**
Simple Network Management Protocol (SNMP) J. Case, M. Fedor, M. Schoffstall, J. Davin
- RFC 1158**
Management Information Base for network management of TCP/IP-based internets: MIB-II M. Rose
- RFC 1166**
Internet numbers S. Kirkpatrick, M.K. Stahl, M. Recker
- RFC 1179**
Line printer daemon protocol L. McLaughlin
- RFC 1180**
TCP/IP tutorial T. Socolofsky, C. Kale
- RFC 1183**
New DNS RR Definitions C.F. Everhart, L.A. Mamakos, R. Ullmann, P.V. Mockapetris
- RFC 1184**
Telnet Linemode Option D. Borman
- RFC 1186**
MD4 Message Digest Algorithm R.L. Rivest
- RFC 1187**
Bulk Table Retrieval with the SNMP M. Rose, K. McCloghrie, J. Davin
- RFC 1188**
Proposed Standard for the Transmission of IP Datagrams over FDDI Networks D. Katz
- RFC 1190**
Experimental Internet Stream Protocol: Version 2 (ST-II) C. Topolcic
- RFC 1191**
Path MTU discovery J. Mogul, S. Deering
- RFC 1198**
FYI on the X window system R. Scheifler
- RFC 1207**
FYI on Questions and Answers: Answers to commonly asked “experienced Internet user” questions G. Malkin, A. Marine, J. Reynolds
- RFC 1208**
Glossary of networking terms O. Jacobsen, D. Lynch

RFC 1213

Management Information Base for Network Management of TCP/IP-based internets: MIB-II K. McCloghrie, M.T. Rose

RFC 1215

Convention for defining traps for use with the SNMP M. Rose

RFC 1227

SNMP MUX protocol and MIB M.T. Rose

RFC 1228

SNMP-DPI: Simple Network Management Protocol Distributed Program Interface G. Carpenter, B. Wijnen

RFC 1229

Extensions to the generic-interface MIB K. McCloghrie

RFC 1230

IEEE 802.4 Token Bus MIB K. McCloghrie, R. Fox

RFC 1231

IEEE 802.5 Token Ring MIB K. McCloghrie, R. Fox, E. Decker

RFC 1236

IP to X.121 address mapping for DDN L. Morales, P. Hasse

RFC 1256

ICMP Router Discovery Messages S. Deering, Ed.

RFC 1267

Border Gateway Protocol 3 (BGP-3) K. Lougheed, Y. Rekhter

RFC 1268

Application of the Border Gateway Protocol in the Internet Y. Rekhter, P. Gross

RFC 1269

Definitions of Managed Objects for the Border Gateway Protocol: Version 3 S. Willis, J. Burruss

RFC 1270

SNMP Communications Services F. Kastenholz, ed.

RFC 1285

FDDI Management Information Base J. Case

RFC 1315

Management Information Base for Frame Relay DTEs C. Brown, F. Baker, C. Carvalho

RFC 1321

The MD5 Message-Digest Algorithm R. Rivest

RFC 1323

TCP Extensions for High Performance V. Jacobson, R. Braden, D. Borman

RFC 1325

FYI on Questions and Answers: Answers to Commonly Asked "New Internet User" Questions G. Malkin, A. Marine

RFC 1327

Mapping between X.400 (1988)/ISO 10021 and RFC 822 S. Hardcastle-Kille

RFC 1340

Assigned Numbers J. Reynolds, J. Postel

RFC 1344

Implications of MIME for Internet Mail Gateways N. Bornstein

RFC 1349

Type of Service in the Internet Protocol Suite P. Almquist

RFC 1351

SNMP Administrative Model J. Davin, J. Galvin, K. McCloghrie

- RFC 1352**
SNMP Security Protocols J. Galvin, K. McCloghrie, J. Davin
- RFC 1353**
Definitions of Managed Objects for Administration of SNMP Parties K. McCloghrie, J. Davin, J. Galvin
- RFC 1354**
IP Forwarding Table MIB F. Baker
- RFC 1356**
Multiprotocol Interconnect[®] on X.25 and ISDN in the Packet Mode A. Malis, D. Robinson, R. Ullmann
- RFC 1358**
Charter of the Internet Architecture Board (IAB) L. Chapin
- RFC 1363**
A Proposed Flow Specification C. Partridge
- RFC 1368**
Definition of Managed Objects for IEEE 802.3 Repeater Devices D. McMaster, K. McCloghrie
- RFC 1372**
Telnet Remote Flow Control Option C. L. Hedrick, D. Borman
- RFC 1374**
IP and ARP on HIPPI J. Renwick, A. Nicholson
- RFC 1381**
SNMP MIB Extension for X.25 LAPB D. Throop, F. Baker
- RFC 1382**
SNMP MIB Extension for the X.25 Packet Layer D. Throop
- RFC 1387**
RIP Version 2 Protocol Analysis G. Malkin
- RFC 1388**
RIP Version 2 Carrying Additional Information G. Malkin
- RFC 1389**
RIP Version 2 MIB Extensions G. Malkin, F. Baker
- RFC 1390**
Transmission of IP and ARP over FDDI Networks D. Katz
- RFC 1393**
Traceroute Using an IP Option G. Malkin
- RFC 1398**
Definitions of Managed Objects for the Ethernet-Like Interface Types F. Kastholz
- RFC 1408**
Telnet Environment Option D. Borman, Ed.
- RFC 1413**
Identification Protocol M. St. Johns
- RFC 1416**
Telnet Authentication Option D. Borman, ed.
- RFC 1420**
SNMP over IPX S. Bostock
- RFC 1428**
Transition of Internet Mail from Just-Send-8 to 8bit-SMTP/MIME G. Vaudreuil
- RFC 1442**
Structure of Management Information for version 2 of the Simple Network Management Protocol (SNMPv2) J. Case, K. McCloghrie, M. Rose, S. Waldbusser
- RFC 1443**
Textual Conventions for version 2 of the Simple Network Management Protocol (SNMPv2) J. Case, K. McCloghrie, M. Rose, S. Waldbusser

RFC 1445

Administrative Model for version 2 of the Simple Network Management Protocol (SNMPv2) J. Galvin, K. McCloghrie

RFC 1447

Party MIB for version 2 of the Simple Network Management Protocol (SNMPv2) K. McCloghrie, J. Galvin

RFC 1448

Protocol Operations for version 2 of the Simple Network Management Protocol (SNMPv2) J. Case, K. McCloghrie, M. Rose, S. Waldbusser

RFC 1464

Using the Domain Name System to Store Arbitrary String Attributes R. Rosenbaum

RFC 1469

IP Multicast over Token-Ring Local Area Networks T. Pusateri

RFC 1483

Multiprotocol Encapsulation over ATM Adaptation Layer 5 Juha Heinanen

RFC 1514

Host Resources MIB P. Grillo, S. Waldbusser

RFC 1516

Definitions of Managed Objects for IEEE 802.3 Repeater Devices D. McMaster, K. McCloghrie

RFC 1521

MIME (Multipurpose Internet Mail Extensions) Part One: Mechanisms for Specifying and Describing the Format of Internet Message Bodies N. Borenstein, N. Freed

RFC 1535

A Security Problem and Proposed Correction With Widely Deployed DNS Software E. Gavron

RFC 1536

Common DNS Implementation Errors and Suggested Fixes A. Kumar, J. Postel, C. Neuman, P. Danzig, S. Miller

RFC 1537

Common DNS Data File Configuration Errors P. Beertema

RFC 1540

Internet Official Protocol Standards J. Postel

RFC 1571

Telnet Environment Option Interoperability Issues D. Borman

RFC 1572

Telnet Environment Option S. Alexander

RFC 1573

Evolution of the Interfaces Group of MIB-II K. McCloghrie, F. Kastenholz

RFC 1577

Classical IP and ARP over ATM M. Laubach

RFC 1583

OSPF Version 2 J. Moy

RFC 1591

Domain Name System Structure and Delegation J. Postel

RFC 1592

Simple Network Management Protocol Distributed Protocol Interface Version 2.0 B. Wijnen, G. Carpenter, K. Curran, A. Sehgal, G. Waters

RFC 1594

FYI on Questions and Answers— Answers to Commonly Asked "New Internet User" Questions A. Marine, J. Reynolds, G. Malkin

RFC 1644

T/TCP – TCP Extensions for Transactions Functional Specification R. Braden

- RFC 1646**
TN3270 Extensions for LUsername and Printer Selection C. Graves, T. Butts, M. Angel
- RFC 1647**
TN3270 Enhancements B. Kelly
- RFC 1652**
SMTP Service Extension for 8bit-MIMEtransport J. Klensin, N. Freed, M. Rose, E. Stefferud, D. Crocker
- RFC 1664**
Using the Internet DNS to Distribute RFC1327 Mail Address Mapping Tables C. Allochio, A. Bonito, B. Cole, S. Giordano, R. Hagens
- RFC 1693**
An Extension to TCP: Partial Order Service T. Connolly, P. Amer, P. Conrad
- RFC 1695**
Definitions of Managed Objects for ATM Management Version 8.0 using SMIPv2 M. Ahmed, K. Tesink
- RFC 1701**
Generic Routing Encapsulation (GRE) S. Hanks, T. Li, D. Farinacci, P. Traina
- RFC 1702**
Generic Routing Encapsulation over IPv4 networks S. Hanks, T. Li, D. Farinacci, P. Traina
- RFC 1706**
DNS NSAP Resource Records B. Manning, R. Colella
- RFC 1712**
DNS Encoding of Geographical Location C. Farrell, M. Schulze, S. Pleitner D. Baldoni
- RFC 1713**
Tools for DNS debugging A. Romao
- RFC 1723**
RIP Version 2—Carrying Additional Information G. Malkin
- RFC 1752**
The Recommendation for the IP Next Generation Protocol S. Bradner, A. Mankin
- RFC 1766**
Tags for the Identification of Languages H. Alvestrand
- RFC 1771**
A Border Gateway Protocol 4 (BGP-4) Y. Rekhter, T. Li
- RFC 1794**
DNS Support for Load Balancing T. Brisco
- RFC 1819**
Internet Stream Protocol Version 2 (ST2) Protocol Specification—Version ST2+ L. Delgrossi, L. Berger Eds.
- RFC 1826**
IP Authentication Header R. Atkinson
- RFC 1828**
IP Authentication using Keyed MD5 P. Metzger, W. Simpson
- RFC 1829**
The ESP DES-CBC Transform P. Karn, P. Metzger, W. Simpson
- RFC 1830**
SMTP Service Extensions for Transmission of Large and Binary MIME Messages G. Vaudreuil
- RFC 1831**
RPC: Remote Procedure Call Protocol Specification Version 2 R. Srinivasan
- RFC 1832**
XDR: External Data Representation Standard R. Srinivasan
- RFC 1833**
Binding Protocols for ONC RPC Version 2 R. Srinivasan

RFC 1850

OSPF Version 2 Management Information Base F. Baker, R. Coltun

RFC 1854

SMTP Service Extension for Command Pipelining N. Freed

RFC 1869

SMTP Service Extensions J. Klensin, N. Freed, M. Rose, E. Stefferud, D. Crocker

RFC 1870

SMTP Service Extension for Message Size Declaration J. Klensin, N. Freed, K. Moore

RFC 1876

A Means for Expressing Location Information in the Domain Name System C. Davis, P. Vixie, T. Goodwin, I. Dickinson

RFC 1883

Internet Protocol, Version 6 (IPv6) Specification S. Deering, R. Hinden

RFC 1884

IP Version 6 Addressing Architecture R. Hinden, S. Deering, Eds.

RFC 1886

DNS Extensions to support IP version 6 S. Thomson, C. Huitema

RFC 1888

OSI NSAPs and IPv6 J. Bound, B. Carpenter, D. Harrington, J. Houldsworth, A. Lloyd

RFC 1891

SMTP Service Extension for Delivery Status Notifications K. Moore

RFC 1892

The Multipart/Report Content Type for the Reporting of Mail System Administrative Messages G. Vaudreuil

RFC 1894

An Extensible Message Format for Delivery Status Notifications K. Moore, G. Vaudreuil

RFC 1901

Introduction to Community-based SNMPv2 J. Case, K. McCloghrie, M. Rose, S. Waldbusser

RFC 1902

Structure of Management Information for Version 2 of the Simple Network Management Protocol (SNMPv2) J. Case, K. McCloghrie, M. Rose, S. Waldbusser

RFC 1903

Textual Conventions for Version 2 of the Simple Network Management Protocol (SNMPv2) J. Case, K. McCloghrie, M. Rose, S. Waldbusser

RFC 1904

Conformance Statements for Version 2 of the Simple Network Management Protocol (SNMPv2) J. Case, K. McCloghrie, M. Rose, S. Waldbusser

RFC 1905

Protocol Operations for Version 2 of the Simple Network Management Protocol (SNMPv2) J. Case, K. McCloghrie, M. Rose, S. Waldbusser

RFC 1906

Transport Mappings for Version 2 of the Simple Network Management Protocol (SNMPv2) J. Case, K. McCloghrie, M. Rose, S. Waldbusser

RFC 1907

Management Information Base for Version 2 of the Simple Network Management Protocol (SNMPv2) J. Case, K. McCloghrie, M. Rose, S. Waldbusser

RFC 1908

Coexistence between Version 1 and Version 2 of the Internet-standard Network Management Framework J. Case, K. McCloghrie, M. Rose, S. Waldbusser

RFC 1912

Common DNS Operational and Configuration Errors D. Barr

- RFC 1918**
Address Allocation for Private Internets Y. Rekhter, B. Moskowitz, D. Karrenberg, G.J. de Groot, E. Lear
- RFC 1928**
SOCKS Protocol Version 5 M. Leech, M. Ganis, Y. Lee, R. Kuris, D. Koblas, L. Jones
- RFC 1930**
Guidelines for creation, selection, and registration of an Autonomous System (AS) J. Hawkinson, T. Bates
- RFC 1939**
Post Office Protocol-Version 3 J. Myers, M. Rose
- RFC 1981**
Path MTU Discovery for IP version 6 J. McCann, S. Deering, J. Mogul
- RFC 1982**
Serial Number Arithmetic R. Elz, R. Bush
- RFC 1985**
SMTP Service Extension for Remote Message Queue Starting J. De Winter
- RFC 1995**
Incremental Zone Transfer in DNS M. Ohta
- RFC 1996**
A Mechanism for Prompt Notification of Zone Changes (DNS NOTIFY) P. Vixie
- RFC 2010**
Operational Criteria for Root Name Servers B. Manning, P. Vixie
- RFC 2011**
SNMPv2 Management Information Base for the Internet Protocol using SMIv2 K. McCloghrie, Ed.
- RFC 2012**
SNMPv2 Management Information Base for the Transmission Control Protocol using SMIv2 K. McCloghrie, Ed.
- RFC 2013**
SNMPv2 Management Information Base for the User Datagram Protocol using SMIv2 K. McCloghrie, Ed.
- RFC 2018**
TCP Selective Acknowledgement Options M. Mathis, J. Mahdavi, S. Floyd, A. Romanow
- RFC 2026**
The Internet Standards Process – Revision 3 S. Bradner
- RFC 2030**
Simple Network Time Protocol (SNTP) Version 4 for IPv4, IPv6 and OSI D. Mills
- RFC 2033**
Local Mail Transfer Protocol J. Myers
- RFC 2034**
SMTP Service Extension for Returning Enhanced Error Codes N. Freed
- RFC 2040**
The RC5, RC5–CBC, RC-5–CBC-Pad, and RC5–CTS Algorithms R. Baldwin, R. Rivest
- RFC 2045**
Multipurpose Internet Mail Extensions (MIME) Part One: Format of Internet Message Bodies N. Freed, N. Borenstein
- RFC 2052**
A DNS RR for specifying the location of services (DNS SRV) A. Gulbrandsen, P. Vixie
- RFC 2065**
Domain Name System Security Extensions D. Eastlake 3rd, C. Kaufman
- RFC 2066**
TELNET CHARSET Option R. Gellens

- RFC 2080**
RIPng for IPv6 G. Malkin, R. Minnear
- RFC 2096**
IP Forwarding Table MIB F. Baker
- RFC 2104**
HMAC: Keyed-Hashing for Message Authentication H. Krawczyk, M. Bellare, R. Canetti
- RFC 2119**
Keywords for use in RFCs to Indicate Requirement Levels S. Bradner
- RFC 2133**
Basic Socket Interface Extensions for IPv6 R. Gilligan, S. Thomson, J. Bound, W. Stevens
- RFC 2136**
Dynamic Updates in the Domain Name System (DNS UPDATE) P. Vixie, Ed., S. Thomson, Y. Rekhter, J. Bound
- RFC 2137**
Secure Domain Name System Dynamic Update D. Eastlake 3rd
- RFC 2163**
Using the Internet DNS to Distribute MIXER Conformant Global Address Mapping (MCGAM) C. Allocchio
- RFC 2168**
Resolution of Uniform Resource Identifiers using the Domain Name System R. Daniel, M. Mealling
- RFC 2178**
OSPF Version 2 J. Moy
- RFC 2181**
Clarifications to the DNS Specification R. Elz, R. Bush
- RFC 2205**
Resource ReSerVation Protocol (RSVP)—Version 1 Functional Specification R. Braden, Ed., L. Zhang, S. Berson, S. Herzog, S. Jamin
- RFC 2210**
The Use of RSVP with IETF Integrated Services J. Wroclawski
- RFC 2211**
Specification of the Controlled-Load Network Element Service J. Wroclawski
- RFC 2212**
Specification of Guaranteed Quality of Service S. Shenker, C. Partridge, R. Guerin
- RFC 2215**
General Characterization Parameters for Integrated Service Network Elements S. Shenker, J. Wroclawski
- RFC 2217**
Telnet Com Port Control Option G. Clarke
- RFC 2219**
Use of DNS Aliases for Network Services M. Hamilton, R. Wright
- RFC 2228**
FTP Security Extensions M. Horowitz, S. Lunt
- RFC 2230**
Key Exchange Delegation Record for the DNS R. Atkinson
- RFC 2233**
The Interfaces Group MIB using SMIV2 K. McCloghrie, F. Kastenholz
- RFC 2240**
A Legal Basis for Domain Name Allocation O. Vaughn
- RFC 2246**
The TLS Protocol Version 1.0 T. Dierks, C. Allen

- RFC 2251**
Lightweight Directory Access Protocol (v3) M. Wahl, T. Howes, S. Kille
- RFC 2253**
Lightweight Directory Access Protocol (v3): UTF-8 String Representation of Distinguished Names M. Wahl, S. Kille, T. Howes
- RFC 2254**
The String Representation of LDAP Search Filters T. Howes
- RFC 2261**
An Architecture for Describing SNMP Management Frameworks D. Harrington, R. Presuhn, B. Wijnen
- RFC 2262**
Message Processing and Dispatching for the Simple Network Management Protocol (SNMP) J. Case, D. Harrington, R. Presuhn, B. Wijnen
- RFC 2271**
An Architecture for Describing SNMP Management Frameworks D. Harrington, R. Presuhn, B. Wijnen
- RFC 2273**
SNMPv3 Applications D. Levi, P. Meyer, B. Stewartz
- RFC 2274**
User-based Security Model (USM) for version 3 of the Simple Network Management Protocol (SNMPv3) U. Blumenthal, B. Wijnen
- RFC 2275**
View-based Access Control Model (VACM) for the Simple Network Management Protocol (SNMP) B. Wijnen, R. Presuhn, K. McCloghrie
- RFC 2279**
UTF-8, a transformation format of ISO 10646 F. Yergeau
- RFC 2292**
Advanced Sockets API for IPv6 W. Stevens, M. Thomas
- RFC 2308**
Negative Caching of DNS Queries (DNS NCACHE) M. Andrews
- RFC 2317**
Classless IN-ADDR.ARPA delegation H. Eidnes, G. de Groot, P. Vixie
- RFC 2320**
Definitions of Managed Objects for Classical IP and ARP Over ATM Using SMIPv2 (IPOA-MIB) M. Greene, J. Luciani, K. White, T. Kuo
- RFC 2328**
OSPF Version 2 J. Moy
- RFC 2345**
Domain Names and Company Name Retrieval J. Klensin, T. Wolf, G. Oglesby
- RFC 2352**
A Convention for Using Legal Names as Domain Names O. Vaughn
- RFC 2355**
TN3270 Enhancements B. Kelly
- RFC 2358**
Definitions of Managed Objects for the Ethernet-like Interface Types J. Flick, J. Johnson
- RFC 2373**
IP Version 6 Addressing Architecture R. Hinden, S. Deering
- RFC 2374**
An IPv6 Aggregatable Global Unicast Address Format R. Hinden, M. O'Dell, S. Deering
- RFC 2375**
IPv6 Multicast Address Assignments R. Hinden, S. Deering

RFC 2385

Protection of BGP Sessions via the TCP MD5 Signature Option A. Hefferman

RFC 2389

Feature negotiation mechanism for the File Transfer Protocol P. Hethmon, R. Elz

RFC 2401

Security Architecture for Internet Protocol S. Kent, R. Atkinson

RFC 2402

IP Authentication Header S. Kent, R. Atkinson

RFC 2403

The Use of HMAC-MD5-96 within ESP and AH C. Madson, R. Glenn

RFC 2404

The Use of HMAC-SHA-1-96 within ESP and AH C. Madson, R. Glenn

RFC 2405

The ESP DES-CBC Cipher Algorithm With Explicit IV C. Madson, N. Doraswamy

RFC 2406

IP Encapsulating Security Payload (ESP) S. Kent, R. Atkinson

RFC 2407

The Internet IP Security Domain of Interpretation for ISAKMPD Piper

RFC 2408

Internet Security Association and Key Management Protocol (ISAKMP) D. Maughan, M. Schertler, M. Schneider, J. Turner

RFC 2409

The Internet Key Exchange (IKE) D. Harkins, D. Carrel

RFC 2410

The NULL Encryption Algorithm and Its Use With IPsec R. Glenn, S. Kent,

RFC 2428

FTP Extensions for IPv6 and NATs M. Allman, S. Ostermann, C. Metz

RFC 2445

Internet Calendaring and Scheduling Core Object Specification (iCalendar) F. Dawson, D. Stenerson

RFC 2459

Internet X.509 Public Key Infrastructure Certificate and CRL Profile R. Housley, W. Ford, W. Polk, D. Solo

RFC 2460

Internet Protocol, Version 6 (IPv6) Specification S. Deering, R. Hinden

RFC 2461

Neighbor Discovery for IP Version 6 (IPv6) T. Narten, E. Nordmark, W. Simpson

RFC 2462

IPv6 Stateless Address Autoconfiguration S. Thomson, T. Narten

RFC 2463

Internet Control Message Protocol (ICMPv6) for the Internet Protocol Version 6 (IPv6) Specification A. Conta, S. Deering

RFC 2464

Transmission of IPv6 Packets over Ethernet Networks M. Crawford

RFC 2466

Management Information Base for IP Version 6: ICMPv6 Group D. Haskin, S. Onishi

RFC 2476

Message Submission R. Gellens, J. Klensin

RFC 2487

SMTP Service Extension for Secure SMTP over TLS P. Hoffman

RFC 2505

Anti-Spam Recommendations for SMTP MTAs G. Lindberg

- RFC 2523**
Photuris: Extended Schemes and Attributes P. Karn, W. Simpson
- RFC 2535**
Domain Name System Security Extensions D. Eastlake 3rd
- RFC 2538**
Storing Certificates in the Domain Name System (DNS) D. Eastlake 3rd, O. Gudmundsson
- RFC 2539**
Storage of Diffie-Hellman Keys in the Domain Name System (DNS) D. Eastlake 3rd
- RFC 2540**
Detached Domain Name System (DNS) Information D. Eastlake 3rd
- RFC 2554**
SMTP Service Extension for Authentication J. Myers
- RFC 2570**
Introduction to Version 3 of the Internet-standard Network Management Framework J. Case, R. Mundy, D. Partain, B. Stewart
- RFC 2571**
An Architecture for Describing SNMP Management Frameworks B. Wijnen, D. Harrington, R. Presuhn
- RFC 2572**
Message Processing and Dispatching for the Simple Network Management Protocol (SNMP) J. Case, D. Harrington, R. Presuhn, B. Wijnen
- RFC 2573**
SNMP Applications D. Levi, P. Meyer, B. Stewart
- RFC 2574**
User-based Security Model (USM) for version 3 of the Simple Network Management Protocol (SNMPv3) U. Blumenthal, B. Wijnen
- RFC 2575**
View-based Access Control Model (VACM) for the Simple Network Management Protocol (SNMP) B. Wijnen, R. Presuhn, K. McCloghrie
- RFC 2576**
Co-Existence between Version 1, Version 2, and Version 3 of the Internet-standard Network Management Framework R. Frye, D. Levi, S. Routhier, B. Wijnen
- RFC 2578**
Structure of Management Information Version 2 (SMIPv2) K. McCloghrie, D. Perkins, J. Schoenwaelder
- RFC 2579**
Textual Conventions for SMIPv2 K. McCloghrie, D. Perkins, J. Schoenwaelder
- RFC 2580**
Conformance Statements for SMIPv2 K. McCloghrie, D. Perkins, J. Schoenwaelder
- RFC 2581**
TCP Congestion Control M. Allman, V. Paxson, W. Stevens
- RFC 2583**
Guidelines for Next Hop Client (NHC) Developers R. Carlson, L. Winkler
- RFC 2591**
Definitions of Managed Objects for Scheduling Management Operations D. Levi, J. Schoenwaelder
- RFC 2625**
IP and ARP over Fibre Channel M. Rajagopal, R. Bhagwat, W. Rickard
- RFC 2635**
Don't SPEW A Set of Guidelines for Mass Unsolicited Mailings and Postings (spam)* S. Hambridge, A. Lunde
- RFC 2637**
Point-to-Point Tunneling Protocol K. Hamzeh, G. Pall, W. Verthein, J. Taarud, W. Little, G. Zorn

- RFC 2640**
Internationalization of the File Transfer Protocol B. Curtin
- RFC 2665**
Definitions of Managed Objects for the Ethernet-like Interface Types J. Flick, J. Johnson
- RFC 2671**
Extension Mechanisms for DNS (EDNS0) P. Vixie
- RFC 2672**
Non-Terminal DNS Name Redirection M. Crawford
- RFC 2675**
IPv6 Jumbograms D. Borman, S. Deering, R. Hinden
- RFC 2710**
Multicast Listener Discovery (MLD) for IPv6 S. Deering, W. Fenner, B. Haberman
- RFC 2711**
IPv6 Router Alert Option C. Partridge, A. Jackson
- RFC 2740**
OSPF for IPv6 R. Coltun, D. Ferguson, J. Moy
- RFC 2753**
A Framework for Policy-based Admission Control R. Yavatkar, D. Pendarakis, R. Guerin
- RFC 2782**
A DNS RR for specifying the location of services (DNS SRV) A. Gubrandsen, P. Vixie, L. Esibov
- RFC 2821**
Simple Mail Transfer Protocol J. Klensin, Ed.
- RFC 2822**
Internet Message Format P. Resnick, Ed.
- RFC 2840**
TELNET KERMIT OPTION J. Altman, F. da Cruz
- RFC 2845**
Secret Key Transaction Authentication for DNS (TSIG) P. Vixie, O. Gudmundsson, D. Eastlake 3rd, B. Wellington
- RFC 2851**
Textual Conventions for Internet Network Addresses M. Daniele, B. Haberman, S. Routhier, J. Schoenwaelder
- RFC 2852**
Deliver By SMTP Service Extension D. Newman
- RFC 2874**
DNS Extensions to Support IPv6 Address Aggregation and Renumbering M. Crawford, C. Huitema
- RFC 2915**
The Naming Authority Pointer (NAPTR) DNS Resource Record M. Mealling, R. Daniel
- RFC 2920**
SMTP Service Extension for Command Pipelining N. Freed
- RFC 2930**
Secret Key Establishment for DNS (TKEY RR) D. Eastlake, 3rd
- RFC 2941**
Telnet Authentication Option T. Ts'o, ed., J. Altman
- RFC 2942**
Telnet Authentication: Kerberos Version 5 T. Ts'o
- RFC 2946**
Telnet Data Encryption Option T. Ts'o
- RFC 2952**
Telnet Encryption: DES 64 bit Cipher Feedback T. Ts'o

RFC 2953

Telnet Encryption: DES 64 bit Output Feedback T. Ts'o

RFC 2992

Analysis of an Equal-Cost Multi-Path Algorithm C. Hopps

RFC 3019

IP Version 6 Management Information Base for The Multicast Listener Discovery Protocol B. Haberman, R. Worzella

RFC 3060

Policy Core Information Model—Version 1 Specification B. Moore, E. Ellesson, J. Strassner, A. Westerinen

RFC 3152

Delegation of IP6.ARPA R. Bush

RFC 3164

The BSD Syslog Protocol C. Lonvick

RFC 3207

SMTP Service Extension for Secure SMTP over Transport Layer Security P. Hoffman

RFC 3226

DNSSEC and IPv6 A6 aware server/resolver message size requirements O. Gudmundsson

RFC 3291

Textual Conventions for Internet Network Addresses M. Daniele, B. Haberman, S. Routhier, J. Schoenwaelder

RFC 3363

Representing Internet Protocol version 6 (IPv6) Addresses in the Domain Name System R. Bush, A. Durand, B. Fink, O. Gudmundsson, T. Hain

RFC 3376

Internet Group Management Protocol, Version 3 B. Cain, S. Deering, I. Kouvelas, B. Fenner, A. Thyagarajan

RFC 3390

Increasing TCP's Initial Window M. Allman, S. Floyd, C. Partridge

RFC 3410

Introduction and Applicability Statements for Internet-Standard Management Framework J. Case, R. Mundy, D. Partain, B. Stewart

RFC 3411

An Architecture for Describing Simple Network Management Protocol (SNMP) Management Frameworks D. Harrington, R. Presuhn, B. Wijnen

RFC 3412

Message Processing and Dispatching for the Simple Network Management Protocol (SNMP) J. Case, D. Harrington, R. Presuhn, B. Wijnen

RFC 3413

Simple Network Management Protocol (SNMP) Applications D. Levi, P. Meyer, B. Stewart

RFC 3414

User-based Security Model (USM) for version 3 of the Simple Network Management Protocol (SNMPv3) U. Blumenthal, B. Wijnen

RFC 3415

View-based Access Control Model (VACM) for the Simple Network Management Protocol (SNMP) B. Wijnen, R. Presuhn, K. McCloghrie

RFC 3416

Version 2 of the Protocol Operations for the Simple Network Management Protocol (SNMP) R. Presuhn, J. Case, K. McCloghrie, M. Rose, S. Waldbusser

RFC 3417

Transport Mappings for the Simple Network Management Protocol (SNMP) R. Presuhn, J. Case, K. McCloghrie, M. Rose, S. Waldbusser

RFC 3418

Management Information Base (MIB) for the Simple Network Management Protocol (SNMP) R. Presuhn, J. Case, K. McCloghrie, M. Rose, S. Waldbusser

RFC 3419

Textual Conventions for Transport Addresses M. Daniele, J. Schoenwaelder

RFC 3484

Default Address Selection for Internet Protocol version 6 (IPv6) R. Draves

RFC 3493

Basic Socket Interface Extensions for IPv6 R. Gilligan, S. Thomson, J. Bound, J. McCann, W. Stevens

RFC 3513

Internet Protocol Version 6 (IPv6) Addressing Architecture R. Hinden, S. Deering

RFC 3526

More Modular Exponential (MODP) Diffie-Hellman groups for Internet Key Exchange (IKE) T. Kivinen, M. Kojo

RFC 3542

Advanced Sockets Application Programming Interface (API) for IPv6 W. Richard Stevens, M. Thomas, E. Nordmark, T. Jinmei

RFC 3566

The AES-XCBC-MAC-96 Algorithm and Its Use With IPsec S. Frankel, H. Herbert

RFC 3569

An Overview of Source-Specific Multicast (SSM) S. Bhattacharyya, Ed.

RFC 3584

Coexistence between Version 1, Version 2, and Version 3 of the Internet-standard Network Management Framework R. Frye, D. Levi, S. Routhier, B. Wijnen

RFC 3602

The AES-CBC Cipher Algorithm and Its Use with IPsec S. Frankel, R. Glenn, S. Kelly

RFC 3629

UTF-8, a transformation format of ISO 10646 R. Kermode, C. Vicisano

RFC 3658

Delegation Signer (DS) Resource Record (RR) O. Gudmundsson

RFC 3678

Socket Interface Extensions for Multicast Source Filters D. Thaler, B. Fenner, B. Quinn

RFC 3715

IPsec-Network Address Translation (NAT) Compatibility Requirements B. Aboba, W. Dixon

RFC 3810

Multicast Listener Discovery Version 2 (MLDv2) for IPv6 R. Vida, Ed., L. Costa, Ed.

RFC 3826

The Advanced Encryption Standard (AES) Cipher Algorithm in the SNMP User-based Security Model U. Blumenthal, F. Maino, K. McCloghrie.

RFC 3947

Negotiation of NAT-Traversal in the IKE T. Kivinen, B. Swander, A. Huttunen, V. Volpe

RFC 3948

UDP Encapsulation of IPsec ESP Packets A. Huttunen, B. Swander, V. Volpe, L. DiBurro, M. Stenberg

RFC 4001

Textual Conventions for Internet Network Addresses M. Daniele, B. Haberman, S. Routhier, J. Schoenwaelder

RFC 4007

IPv6 Scoped Address Architecture S. Deering, B. Haberman, T. Jinmei, E. Nordmark, B. Zill

- RFC 4022**
Management Information Base for the Transmission Control Protocol (TCP) R. Raghunarayan
- RFC 4106**
The Use of Galois/Counter Mode (GCM) in IPsec Encapsulating Security Payload (ESP) J. Viega, D. McGrew
- RFC 4109**
Algorithms for Internet Key Exchange version 1 (IKEv1) P. Hoffman
- RFC 4113**
Management Information Base for the User Datagram Protocol (UDP) B. Fenner, J. Flick
- RFC 4191**
Default Router Preferences and More-Specific Routes R. Draves, D. Thaler
- RFC 4217**
Securing FTP with TLS P. Ford-Hutchinson
- RFC 4292**
IP Forwarding Table MIB B. Haberman
- RFC 4293**
Management Information Base for the Internet Protocol (IP) S. Routhier
- RFC 4301**
Security Architecture for the Internet Protocol S. Kent, K. Seo
- RFC 4302**
IP Authentication Header S. Kent
- RFC 4303**
IP Encapsulating Security Payload (ESP) S. Kent
- RFC 4304**
Extended Sequence Number (ESN) Addendum to IPsec Domain of Interpretation (DOI) for Internet Security Association and Key Management Protocol (ISAKMP) S. Kent
- RFC 4307**
Cryptographic Algorithms for Use in the Internet Key Exchange Version 2 (IKEv2) J. Schiller
- RFC 4308**
Cryptographic Suites for IPsec P. Hoffman
- RFC 4434**
The AES-XCBC-PRF-128 Algorithm for the Internet Key Exchange Protocol P. Hoffman
- RFC 4443**
Internet Control Message Protocol (ICMPv6) for the Internet Protocol Version 6 (IPv6) Specification A. Conta, S. Deering
- RFC 4552**
Authentication/Confidentiality for OSPFv3 M. Gupta, N. Melam
- RFC 4678**
Server/Application State Protocol v1 A. Bivens
- RFC 4753**
ECP Groups for IKE and IKEv2 D. Fu, J. Solinas
- RFC 4754**
IKE and IKEv2 Authentication Using the Elliptic Curve Digital Signature Algorithm (ECDSA) D. Fu, J. Solinas
- RFC 4809**
Requirements for an IPsec Certificate Management Profile C. Bonatti, Ed., S. Turner, Ed., G. Lebovitz, Ed.
- RFC 4835**
Cryptographic Algorithm Implementation Requirements for Encapsulating Security Payload (ESP) and Authentication Header (AH) V. Manral

RFC 4862

IPv6 Stateless Address Autoconfiguration S. Thomson, T. Narten, T. Jinmei

RFC 4868

Using HMAC-SHA-256, HMAC-SHA-384, and HMAC-SHA-512 with IPsec S. Kelly, S. Frankel

RFC 4869

Suite B Cryptographic Suites for IPsec L. Law, J. Solinas

RFC 4941

Privacy Extensions for Stateless Address Autoconfiguration in IPv6 T. Narten, R. Draves, S. Krishnan

RFC 4945

The Internet IP Security PKI Profile of IKEv1/ISAKMP, IKEv2, and PKIX B. Korver

RFC 5014

IPv6 Socket API for Source Address Selection E. Nordmark, S. Chakrabarti, J. Laganier

RFC 5095

Deprecation of Type 0 Routing Headers in IPv6 J. Abley, P. Savola, G. Neville-Neil

RFC 5175

IPv6 Router Advertisement Flags Option B. Haberman, Ed., R. Hinden

RFC 5282

Using Authenticated Encryption Algorithms with the Encrypted Payload of the Internet Key Exchange version 2 (IKEv2) Protocol D. Black, D. McGrew

RFC 5996

Internet Key Exchange Protocol Version 2 (IKEv2) C. Kaufman, P. Hoffman, Y. Nir, P. Eronen

RFC 7627

Transport Layer Security (TLS) Session Hash and Extended Master Secret Extension K. Bhargavan, A. Delignat-Lavaud, A. Pironti, Inria Paris-Rocquencourt, A. Langley, M. Ray

RFC 8446

The Transport Layer Security (TLS) Protocol Version 1.3 E. Rescorla

Internet drafts

Internet drafts are working documents of the Internet Engineering Task Force (IETF), its areas, and its working groups. Other groups can also distribute working documents as Internet drafts. You can see Internet drafts at <http://www.ietf.org/ID.html>.

Appendix G. Accessibility

Publications for this product are offered in Adobe Portable Document Format (PDF) and should be compliant with accessibility standards. If you experience difficulties when using PDF files, you can view the information through the z/OS Internet Library website <http://www.ibm.com/systems/z/os/zos/library/bkserv/> or IBM Documentation <https://www.ibm.com/docs/en>. If you continue to experience problems, send a message to Contact z/OS web page(www.ibm.com/systems/z/os/zos/webqs.html) or write to:

IBM Corporation
Attention: MHVRCFS Reader Comments
Department H6MA, Building 707
2455 South Road
Poughkeepsie, NY 12601-5400
USA

Accessibility features help a user who has a physical disability, such as restricted mobility or limited vision, to use software products successfully. The major accessibility features in z/OS enable users to:

- Use assistive technologies such as screen readers and screen magnifier software
- Operate specific or equivalent features using only the keyboard
- Customize display attributes such as color, contrast, and font size

Using assistive technologies

Assistive technology products, such as screen readers, function with the user interfaces found in z/OS. Consult the assistive technology documentation for specific information when using such products to access z/OS interfaces.

Keyboard navigation of the user interface

Users can access z/OS user interfaces using TSO/E or ISPF. See [z/OS TSO/E Primer](#), [z/OS TSO/E User's Guide](#), and [z/OS ISPF User's Guide Vol I](#) for information about accessing TSO/E and ISPF interfaces. These guides describe how to use TSO/E and ISPF, including the use of keyboard shortcuts or function keys (PF keys). Each guide includes the default settings for the PF keys and explains how to modify their functions.

z/OS information

One exception is command syntax that is published in railroad track format, which is accessible using screen readers with IBM Documentation, as described in [“Dotted decimal syntax diagrams”](#) on page 579.

Dotted decimal syntax diagrams

Syntax diagrams are provided in dotted decimal format for users accessing IBM Documentation using a screen reader. In dotted decimal format, each syntax element is written on a separate line. If two or more syntax elements are always present together (or always absent together), they can appear on the same line, because they can be considered as a single compound syntax element.

Each line starts with a dotted decimal number; for example, 3 or 3.1 or 3.1.1. To hear these numbers correctly, make sure that your screen reader is set to read out punctuation. All the syntax elements that have the same dotted decimal number (for example, all the syntax elements that have the number 3.1) are mutually exclusive alternatives. If you hear the lines 3.1 USERID and 3.1 SYSTEMID, you know that your syntax can include either USERID or SYSTEMID, but not both.

The dotted decimal numbering level denotes the level of nesting. For example, if a syntax element with dotted decimal number 3 is followed by a series of syntax elements with dotted decimal number 3.1, all the syntax elements numbered 3.1 are subordinate to the syntax element numbered 3.

Certain words and symbols are used next to the dotted decimal numbers to add information about the syntax elements. Occasionally, these words and symbols might occur at the beginning of the element itself. For ease of identification, if the word or symbol is a part of the syntax element, it is preceded by the backslash (\) character. The * symbol can be used next to a dotted decimal number to indicate that the syntax element repeats. For example, syntax element *FILE with dotted decimal number 3 is given the format 3 * FILE. Format 3* FILE indicates that syntax element FILE repeats. Format 3* * FILE indicates that syntax element * FILE repeats.

Characters such as commas, which are used to separate a string of syntax elements, are shown in the syntax just before the items they separate. These characters can appear on the same line as each item, or on a separate line with the same dotted decimal number as the relevant items. The line can also show another symbol giving information about the syntax elements. For example, the lines 5.1*, 5.1 LASTRUN, and 5.1 DELETE mean that if you use more than one of the LASTRUN and DELETE syntax elements, the elements must be separated by a comma. If no separator is given, assume that you use a blank to separate each syntax element.

If a syntax element is preceded by the % symbol, this indicates a reference that is defined elsewhere. The string following the % symbol is the name of a syntax fragment rather than a literal. For example, the line 2.1 %OP1 means that you should see separate syntax fragment OP1.

The following words and symbols are used next to the dotted decimal numbers:

- A question mark (?) means an optional syntax element. A dotted decimal number followed by the ? symbol indicates that all the syntax elements with a corresponding dotted decimal number, and any subordinate syntax elements, are optional. If there is only one syntax element with a dotted decimal number, the ? symbol is displayed on the same line as the syntax element, (for example 5? NOTIFY). If there is more than one syntax element with a dotted decimal number, the ? symbol is displayed on a line by itself, followed by the syntax elements that are optional. For example, if you hear the lines 5 ? , 5 NOTIFY, and 5 UPDATE, you know that syntax elements NOTIFY and UPDATE are optional; that is, you can choose one or none of them. The ? symbol is equivalent to a bypass line in a railroad diagram.
- An exclamation mark (!) means a default syntax element. A dotted decimal number followed by the ! symbol and a syntax element indicate that the syntax element is the default option for all syntax elements that share the same dotted decimal number. Only one of the syntax elements that share the same dotted decimal number can specify a ! symbol. For example, if you hear the lines 2? FILE, 2.1! (KEEP), and 2.1 (DELETE), you know that (KEEP) is the default option for the FILE keyword. In this example, if you include the FILE keyword but do not specify an option, default option KEEP will be applied. A default option also applies to the next higher dotted decimal number. In this example, if the FILE keyword is omitted, default FILE(KEEP) is used. However, if you hear the lines 2? FILE, 2.1, 2.1.1! (KEEP), and 2.1.1 (DELETE), the default option KEEP applies only to the next higher dotted decimal number, 2.1 (which does not have an associated keyword), and does not apply to 2? FILE. Nothing is used if the keyword FILE is omitted.
- An asterisk (*) means a syntax element that can be repeated 0 or more times. A dotted decimal number followed by the * symbol indicates that this syntax element can be used zero or more times; that is, it is optional and can be repeated. For example, if you hear the line 5.1* data area, you know that you can include one data area, more than one data area, or no data area. If you hear the lines 3*, 3 HOST, and 3 STATE, you know that you can include HOST, STATE, both together, or nothing.

Notes:

1. If a dotted decimal number has an asterisk (*) next to it and there is only one item with that dotted decimal number, you can repeat that same item more than once.
2. If a dotted decimal number has an asterisk next to it and several items have that dotted decimal number, you can use more than one item from the list, but you cannot use the items more than once each. In the previous example, you could write HOST STATE, but you could not write HOST HOST.
3. The * symbol is equivalent to a loop-back line in a railroad syntax diagram.

- + means a syntax element that must be included one or more times. A dotted decimal number followed by the + symbol indicates that this syntax element must be included one or more times; that is, it must be included at least once and can be repeated. For example, if you hear the line 6.1+ data area, you must include at least one data area. If you hear the lines 2+, 2 HOST, and 2 STATE, you know that you must include HOST, STATE, or both. Similar to the * symbol, the + symbol can only repeat a particular item if it is the only item with that dotted decimal number. The + symbol, like the * symbol, is equivalent to a loop-back line in a railroad syntax diagram.

Notices

This information was developed for products and services that are offered in the USA or elsewhere.

IBM may not offer the products, services, or features discussed in this document in other countries. Consult your local IBM representative for information on the products and services currently available in your area. Any reference to an IBM product, program, or service is not intended to state or imply that only that IBM product, program, or service may be used. Any functionally equivalent product, program, or service that does not infringe any IBM intellectual property right may be used instead. However, it is the user's responsibility to evaluate and verify the operation of any non-IBM product, program, or service.

IBM may have patents or pending patent applications covering subject matter described in this document. The furnishing of this document does not grant you any license to these patents. You can send license inquiries, in writing, to:

IBM Director of Licensing IBM Corporation North Castle Drive, MD-NC119 Armonk, NY 10504-1785 United States of America

For license inquiries regarding double-byte character set (DBCS) information, contact the IBM Intellectual Property Department in your country or send inquiries, in writing, to:

Intellectual Property Licensing Legal and Intellectual Property Law IBM Japan Ltd. 19-21, Nihonbashi-Hakozakicho, Chuo-ku Tokyo 103-8510, Japan

The following paragraph does not apply to the United Kingdom or any other country where such provisions are inconsistent with local law: INTERNATIONAL BUSINESS MACHINES CORPORATION PROVIDES THIS PUBLICATION "AS IS" WITHOUT WARRANTY OF ANY KIND, EITHER EXPRESS OR IMPLIED, INCLUDING, BUT NOT LIMITED TO, THE IMPLIED WARRANTIES OF NON-INFRINGEMENT, MERCHANTABILITY OR FITNESS FOR A PARTICULAR PURPOSE. Some states do not allow disclaimer of express or implied warranties in certain transactions, therefore, this statement may not apply to you.

This information could include technical inaccuracies or typographical errors. Changes are periodically made to the information herein; these changes will be incorporated in new editions of the publication. IBM may make improvements and/or changes in the product(s) and/or the program(s) described in this publication at any time without notice.

This information could include missing, incorrect, or broken hyperlinks. Hyperlinks are maintained in only the HTML plug-in output for the IBM Documentation. Use of hyperlinks in other output formats of this information is at your own risk.

Any references in this information to non-IBM websites are provided for convenience only and do not in any manner serve as an endorsement of those websites. The materials at those websites are not part of the materials for this IBM product and use of those websites is at your own risk.

IBM may use or distribute any of the information you supply in any way it believes appropriate without incurring any obligation to you.

Licensees of this program who wish to have information about it for the purpose of enabling: (i) the exchange of information between independently created programs and other programs (including this one) and (ii) the mutual use of the information which has been exchanged, should contact:

IBM Corporation Site Counsel 2455 South Road Poughkeepsie, NY 12601-5400 USA

Such information may be available, subject to appropriate terms and conditions, including in some cases, payment of a fee.

The licensed program described in this document and all licensed material available for it are provided by IBM under terms of the IBM Customer Agreement, IBM International Program License Agreement or any equivalent agreement between us.

Any performance data contained herein was determined in a controlled environment. Therefore, the results obtained in other operating environments may vary significantly. Some measurements may have been made on development-level systems and there is no guarantee that these measurements will be the same on generally available systems. Furthermore, some measurements may have been estimated through extrapolation. Actual results may vary. Users of this document should verify the applicable data for their specific environment.

Information concerning non-IBM products was obtained from the suppliers of those products, their published announcements or other publicly available sources. IBM has not tested those products and cannot confirm the accuracy of performance, compatibility or any other claims related to non-IBM products. Questions on the capabilities of non-IBM products should be addressed to the suppliers of those products.

All statements regarding IBM's future direction or intent are subject to change or withdrawal without notice, and represent goals and objectives only.

This information contains examples of data and reports used in daily business operations. To illustrate them as completely as possible, the examples include the names of individuals, companies, brands, and products. All of these names are fictitious and any similarity to the names and addresses used by an actual business enterprise is entirely coincidental.

COPYRIGHT LICENSE:

This information contains sample application programs in source language, which illustrate programming techniques on various operating platforms. You may copy, modify, and distribute these sample programs in any form without payment to IBM, for the purposes of developing, using, marketing or distributing application programs conforming to the application programming interface for the operating platform for which the sample programs are written. These examples have not been thoroughly tested under all conditions. IBM, therefore, cannot guarantee or imply reliability, serviceability, or function of these programs. The sample programs are provided "AS IS", without warranty of any kind. IBM shall not be liable for any damages arising out of your use of the sample programs.

Terms and conditions for product documentation

Permissions for the use of these publications are granted subject to the following terms and conditions.

Applicability

These terms and conditions are in addition to any terms of use for the IBM website.

Personal use

You may reproduce these publications for your personal, noncommercial use provided that all proprietary notices are preserved. You may not distribute, display or make derivative work of these publications, or any portion thereof, without the express consent of IBM.

Commercial use

You may reproduce, distribute and display these publications solely within your enterprise provided that all proprietary notices are preserved. You may not make derivative works of these publications, or reproduce, distribute or display these publications or any portion thereof outside your enterprise, without the express consent of IBM.

Rights

Except as expressly granted in this permission, no other permissions, licenses or rights are granted, either express or implied, to the publications or any information, data, software or other intellectual property contained therein.

IBM reserves the right to withdraw the permissions granted herein whenever, in its discretion, the use of the publications is detrimental to its interest or, as determined by IBM, the above instructions are not being properly followed.

You may not download, export or re-export this information except in full compliance with all applicable laws and regulations, including all United States export laws and regulations.

IBM MAKES NO GUARANTEE ABOUT THE CONTENT OF THESE PUBLICATIONS. THE PUBLICATIONS ARE PROVIDED "AS-IS" AND WITHOUT WARRANTY OF ANY KIND, EITHER EXPRESSED OR IMPLIED, INCLUDING BUT NOT LIMITED TO IMPLIED WARRANTIES OF MERCHANTABILITY, NON-INFRINGEMENT, AND FITNESS FOR A PARTICULAR PURPOSE.

IBM Online Privacy Statement

IBM Software products, including software as a service solutions, ("Software Offerings") may use cookies or other technologies to collect product usage information, to help improve the end user experience, to tailor interactions with the end user, or for other purposes. In many cases no personally identifiable information is collected by the Software Offerings. Some of our Software Offerings can help enable you to collect personally identifiable information. If this Software Offering uses cookies to collect personally identifiable information, specific information about this offering's use of cookies is set forth below.

Depending upon the configurations deployed, this Software Offering may use session cookies that collect each user's name, email address, phone number, or other personally identifiable information for purposes of enhanced user usability and single sign-on configuration. These cookies can be disabled, but disabling them will also eliminate the functionality they enable.

If the configurations deployed for this Software Offering provide you as customer the ability to collect personally identifiable information from end users via cookies and other technologies, you should seek your own legal advice about any laws applicable to such data collection, including any requirements for notice and consent.

For more information about the use of various technologies, including cookies, for these purposes, see IBM's Privacy Policy at ibm.com/privacy and IBM's Online Privacy Statement at ibm.com/privacy/details in the section entitled "Cookies, Web Beacons and Other Technologies," and the "IBM Software Products and Software-as-a-Service Privacy Statement" at ibm.com/software/info/product-privacy.

Policy for unsupported hardware

Various z/OS elements, such as DFSMS, JES2, JES3, and MVS, contain code that supports specific hardware servers or devices. In some cases, this device-related element support remains in the product even after the hardware devices pass their announced End of Service date. z/OS may continue to service element code; however, it will not provide service related to unsupported hardware devices. Software problems related to these devices will not be accepted for service, and current service activity will cease if a problem is determined to be associated with out-of-support devices. In such cases, fixes will not be issued.

Minimum supported hardware

The minimum supported hardware for z/OS releases identified in z/OS announcements can subsequently change when service for particular servers or devices is withdrawn. Likewise, the levels of other software products supported on a particular release of z/OS are subject to the service support lifecycle of those products. Therefore, z/OS and its product publications (for example, panels, samples, messages, and product documentation) can include references to hardware and software that is no longer supported.

- For information about software support lifecycle, see: [IBM Lifecycle Support for z/OS \(www.ibm.com/software/support/systemsz/lifecycle\)](http://www.ibm.com/software/support/systemsz/lifecycle)
- For information about currently-supported IBM hardware, contact your IBM representative.

Policy for unsupported hardware

Various z/OS elements, such as DFSMS, HCD, JES2, JES3, and MVS, contain code that supports specific hardware servers or devices. In some cases, this device-related element support remains in the product even after the hardware devices pass their announced End of Service date. z/OS may continue to service element code; however, it will not provide service related to unsupported hardware devices. Software problems related to these devices will not be accepted for service, and current service activity will cease if a problem is determined to be associated with out-of-support devices. In such cases, fixes will not be issued.

Trademarks

IBM, the IBM logo, and ibm.com are trademarks or registered trademarks of International Business Machines Corp., registered in many jurisdictions worldwide. Other product and service names might be trademarks of IBM or other companies. A current list of IBM trademarks is available on the web at [Copyright and trademark information](http://www.ibm.com/legal/copytrade.shtml) at www.ibm.com/legal/copytrade.shtml.

Bibliography

This bibliography contains descriptions of the documents in the z/OS Communications Server library.

z/OS Communications Server documentation is available online at the z/OS Internet Library web page at <http://www.ibm.com/systems/z/os/zos/library/bkserv/>.

z/OS Communications Server library updates

Updates to documents are also available on RETAIN and in information APARs (info APARs). Go to <https://www.ibm.com/mysupport> to view information APARs.

- [z/OS Communications Server V2R1 New Function APAR Summary](#)
- [z/OS Communications Server V2R2 New Function APAR Summary](#)
- [z/OS Communications Server V2R3 New Function APAR Summary](#)
- [z/OS Communications Server V2R4 New Function APAR Summary](#)

z/OS Communications Server information

z/OS Communications Server product information is grouped by task in the following tables.

Planning

Title	Number	Description
z/OS Communications Server: New Function Summary	GC27-3664	This document is intended to help you plan for new IP or SNA functions, whether you are migrating from a previous version or installing z/OS for the first time. It summarizes what is new in the release and identifies the suggested and required modifications needed to use the enhanced functions.
z/OS Communications Server: IPv6 Network and Application Design Guide	SC27-3663	This document is a high-level introduction to IPv6. It describes concepts of z/OS Communications Server's support of IPv6, coexistence with IPv4, and migration issues.

Resource definition, configuration, and tuning

Title	Number	Description
z/OS Communications Server: IP Configuration Guide	SC27-3650	This document describes the major concepts involved in understanding and configuring an IP network. Familiarity with the z/OS operating system, IP protocols, z/OS UNIX System Services, and IBM Time Sharing Option (TSO) is recommended. Use this document with the z/OS Communications Server: IP Configuration Reference .

Title	Number	Description
z/OS Communications Server: IP Configuration Reference	SC27-3651	This document presents information for people who want to administer and maintain IP. Use this document with the z/OS Communications Server: IP Configuration Guide . The information in this document includes: <ul style="list-style-type: none"> • TCP/IP configuration data sets • Configuration statements • Translation tables • Protocol number and port assignments
z/OS Communications Server: SNA Network Implementation Guide	SC27-3672	This document presents the major concepts involved in implementing an SNA network. Use this document with the z/OS Communications Server: SNA Resource Definition Reference .
z/OS Communications Server: SNA Resource Definition Reference	SC27-3675	This document describes each SNA definition statement, start option, and macroinstruction for user tables. It also describes NCP definition statements that affect SNA. Use this document with the z/OS Communications Server: SNA Network Implementation Guide .
z/OS Communications Server: SNA Resource Definition Samples	SC27-3676	This document contains sample definitions to help you implement SNA functions in your networks, and includes sample major node definitions.
z/OS Communications Server: IP Network Print Facility	SC27-3658	This document is for systems programmers and network administrators who need to prepare their network to route SNA, JES2, or JES3 printer output to remote printers using TCP/IP Services.

Operation

Title	Number	Description
z/OS Communications Server: IP User's Guide and Commands	SC27-3662	This document describes how to use TCP/IP applications. It contains requests with which a user can log on to a remote host using Telnet, transfer data sets using FTP, send electronic mail, print on remote printers, and authenticate network users.
z/OS Communications Server: IP System Administrator's Commands	SC27-3661	This document describes the functions and commands helpful in configuring or monitoring your system. It contains system administrator's commands, such as TSO NETSTAT, PING, TRACERTE and their UNIX counterparts. It also includes TSO and MVS commands commonly used during the IP configuration process.
z/OS Communications Server: SNA Operation	SC27-3673	This document serves as a reference for programmers and operators requiring detailed information about specific operator commands.
z/OS Communications Server: Quick Reference	SC27-3665	This document contains essential information about SNA and IP commands.

Customization

Title	Number	Description
z/OS Communications Server: SNA Customization	SC27-3666	<p>This document enables you to customize SNA, and includes the following information:</p> <ul style="list-style-type: none"> • Communication network management (CNM) routing table • Logon-interpret routine requirements • Logon manager installation-wide exit routine for the CLU search exit • TSO/SNA installation-wide exit routines • SNA installation-wide exit routines

Writing application programs

Title	Number	Description
z/OS Communications Server: IP Sockets Application Programming Interface Guide and Reference	SC27-3660	This document describes the syntax and semantics of program source code necessary to write your own application programming interface (API) into TCP/IP. You can use this interface as the communication base for writing your own client or server application. You can also use this document to adapt your existing applications to communicate with each other using sockets over TCP/IP.
z/OS Communications Server: IP CICS Sockets Guide	SC27-3649	This document is for programmers who want to set up, write application programs for, and diagnose problems with the socket interface for CICS using z/OS TCP/IP.
z/OS Communications Server: IP IMS Sockets Guide	SC27-3653	This document is for programmers who want application programs that use the IMS TCP/IP application development services provided by the TCP/IP Services of IBM.
z/OS Communications Server: IP Programmer's Guide and Reference	SC27-3659	This document describes the syntax and semantics of a set of high-level application functions that you can use to program your own applications in a TCP/IP environment. These functions provide support for application facilities, such as user authentication, distributed databases, distributed processing, network management, and device sharing. Familiarity with the z/OS operating system, TCP/IP protocols, and IBM Time Sharing Option (TSO) is recommended.
z/OS Communications Server: SNA Programming	SC27-3674	This document describes how to use SNA macroinstructions to send data to and receive data from (1) a terminal in either the same or a different domain, or (2) another application program in either the same or a different domain.
z/OS Communications Server: SNA Programmer's LU 6.2 Guide	SC27-3669	This document describes how to use the SNA LU 6.2 application programming interface for host application programs. This document applies to programs that use only LU 6.2 sessions or that use LU 6.2 sessions along with other session types. (Only LU 6.2 sessions are covered in this document.)
z/OS Communications Server: SNA Programmer's LU 6.2 Reference	SC27-3670	This document provides reference material for the SNA LU 6.2 programming interface for host application programs.

Title	Number	Description
z/OS Communications Server: CSM Guide	SC27-3647	This document describes how applications use the communications storage manager.

Diagnosis

Title	Number	Description
z/OS Communications Server: IP Diagnosis Guide	GC27-3652	This document explains how to diagnose TCP/IP problems and how to determine whether a specific problem is in the TCP/IP product code. It explains how to gather information for and describe problems to the IBM Software Support Center.
z/OS Communications Server: ACF/TAP Trace Analysis Handbook	GC27-3645	This document explains how to gather the trace data that is collected and stored in the host processor. It also explains how to use the Advanced Communications Function/Trace Analysis Program (ACF/TAP) service aid to produce reports for analyzing the trace data information.
z/OS Communications Server: SNA Diagnosis Vol 1, Techniques and Procedures and z/OS Communications Server: SNA Diagnosis Vol 2, FFST Dumps and the VIT	GC27-3667 GC27-3668	These documents help you identify an SNA problem, classify it, and collect information about it before you call the IBM Support Center. The information collected includes traces, dumps, and other problem documentation.
z/OS Communications Server: SNA Data Areas Volume 1 and z/OS Communications Server: SNA Data Areas Volume 2	GC31-6852 GC31-6853	These documents describe SNA data areas and can be used to read an SNA dump. They are intended for IBM programming service representatives and customer personnel who are diagnosing problems with SNA.

Messages and codes

Title	Number	Description
z/OS Communications Server: SNA Messages	SC27-3671	This document describes the ELM, IKT, IST, IUT, IVT, and USS messages. Other information in this document includes: <ul style="list-style-type: none"> • Command and RU types in SNA messages • Node and ID types in SNA messages • Supplemental message-related information
z/OS Communications Server: IP Messages Volume 1 (EZA)	SC27-3654	This volume contains TCP/IP messages beginning with EZA.
z/OS Communications Server: IP Messages Volume 2 (EZB, EZD)	SC27-3655	This volume contains TCP/IP messages beginning with EZB or EZD.
z/OS Communications Server: IP Messages Volume 3 (EZY)	SC27-3656	This volume contains TCP/IP messages beginning with EZY.
z/OS Communications Server: IP Messages Volume 4 (EZZ, SNM)	SC27-3657	This volume contains TCP/IP messages beginning with EZZ and SNM.
z/OS Communications Server: IP and SNA Codes	SC27-3648	This document describes codes and other information that appear in z/OS Communications Server messages.

Index

A

- abend codes
 - AEY9 [96](#)
 - E20L [99](#)
 - E20T [99](#)
- ACCEPT (call) [206](#)
- accept system call
 - C language [142](#)
 - EZACICAL call [351](#)
 - use in server [109](#)
- accessibility [579](#)
- adapter [17](#)
- adding a z/OS UNIX system services segment [44](#)
- address
 - family (domain) [112](#)
 - MVS address spaces [113](#)
 - structures
 - AF_INET [112](#)
 - AF_INET6 [112](#)
- address testing macros [200](#)
- addrinfo C structure [141](#)
- ADDRINFO structure interpreter parameters, on EZACIC09 [345](#)
- AF parameter on call interface, on SOCKET [328](#)
- AF_INET domain parameter [112](#), [198](#)
- AF_INET6 domain parameter [112](#), [198](#)
- ALTER [58](#)
- application transparent transport layer security (AT-TLS) [132](#)
- ASCII data format [132](#)
- automatic startup [87](#)

B

- BACKLOG parameter on call interface, LISTEN call [276](#)
- big endian [114](#)
- BIND (call) [208](#)
- bind system call
 - C language [144](#)
 - EZACICAL call [352](#)
 - use in server [109](#)
- bit-mask on call interface, on EZACIC06 call [339](#)
- bit-mask-length on call interface, on EZACIC06 call [339](#)
- blocking/nonblocking option [150](#), [184](#)
- broadcast option [173](#)
- BUF parameter on call socket interface
 - on READ [281](#)
 - on RECV [285](#)
 - on RECVFROM [287](#)
 - on SEND [302](#)
 - on SENDTO [308](#)
 - on WRITE [332](#)

C

- C language
 - API [137](#), [165](#), [176](#), [197](#)

C language (continued)

- basic calls [17](#)
- C structures
 - addrinfo [141](#)
 - clientid [139](#)
 - group_req [141](#)
 - group_source_req [141](#)
 - If_NameIndex [140](#)
 - ifconf [139](#)
 - ifreq [139](#)
 - ip_mreq [140](#)
 - ip_mreq_source [141](#)
 - ipv6_mreq [140](#)
 - linger [140](#)
 - NetConfHdr [139](#)
 - SetADContainer [141](#)
 - SetAppData [141](#)
 - sockaddr_in [140](#)
 - sockaddr_in6 [140](#)
 - timeval [141](#)
- calls
 - accept() [142](#)
 - bind() [144](#)
 - close() [148](#)
 - connect() [148](#)
 - fcntl() [150](#)
 - freeaddrinfo() [151](#)
 - gai_strerror() [151](#)
 - getaddrinfo() [152](#)
 - getclientid() [157](#)
 - gethostbyaddr() [158](#)
 - gethostbyname() [158](#)
 - gethostid() [159](#)
 - gethostname() [159](#)
 - getnameinfo() [161](#)
 - getpeername() [163](#)
 - getsockname() [164](#)
 - getsockopt() [165](#)
 - getsourcefilter() [174](#)
 - givesocket() [176](#)
 - if_freenameindex() [177](#)
 - if_indextoname() [177](#)
 - if_nameindex() [178](#)
 - if_nametoindex() [178](#)
 - inet_ntop() [179](#)
 - inet_pton() [180](#)
 - initapi() [182](#)
 - ioctl() [183](#)
 - listen() [186](#)
 - read() [186](#)
 - recv() [187](#)
 - recvfrom() [188](#)
 - select() [190](#)
 - send() [192](#)
 - sendto() [193](#)
 - setsockopt() [165](#)
 - shutdown() [197](#)

C language (*continued*)

calls (*continued*)
 socket() [197](#)
 takesocket() [198](#)
 write() [199](#)
 compiling and linking [138](#)
 header files needed [137](#)

C socket calls

C language
 getipv4sourcefilter() [160](#)
 setipv4sourcefilter() [195](#)
 setsourcefilter() [196](#)

cache file, VSAM [80](#)

Call Instructions for Assembler, PL/I and COBOL Programs

ACCEPT [206](#)
BIND [208](#)
CLOSE [213](#)
CONNECT [214](#)
EZACIC04 [336](#)
EZACIC05 [337](#)
EZACIC06 [338](#)
EZACIC08 [340](#)
EZACIC09 [342](#)
EZACIC14 [345](#)
EZACIC15 [346](#)
FCNTL [217](#)
FREEADDRINFO [218](#)
GETADDRINFO [219](#)
GETCLIENTID [227](#)
GETHOSTBYADDR [228](#)
GETHOSTBYNAME [231](#)
GETHOSTID [233](#)
GETHOSTNAME [233](#)
GETNAMEINFO [235](#)
GETPEERNAME [238](#)
GETSOCKNAME [240](#)
GETSOCKOPT [242](#)
GIVESOCKET [258](#)
INITAPI [263](#)
introduction [203](#)
IOCTL [265](#)
LISTEN [275](#)
NTOPT [276](#)
PTON [278](#)
READ [280](#)
READV [282](#)
RECV [283](#)
RECVFROM [285](#)
RECVMSG [288](#)
SELECT [291](#)
SELECTEX [295](#)
SENDMSG [303](#)
SENDTO [306](#)
SETSOCKOPT [309](#)
SHUTDOWN [325](#)
SOCKET [327](#)
TAKESOCKET [329](#)
TERMAPI [330](#)
WRITE [331](#)
WRITEV [332](#)

CH-MASK parameter on call interface, on EZACIC06 [339](#)

child server [9](#), [108](#)

CICS

 starting automatically [87](#)

CICS (*continued*)

 starting manually [88](#)
 starting with program link [98](#)

CICS transaction processing system

 defining resources in setup [24](#)
 operation with CICS TCP/IP [17](#)

client

 definition [2](#)
 socket calls used in [107](#)

client and server processing [2](#)

CLIENT parameter on call socket interface

 on GETCLIENTID [228](#)

 on GIVESOCKET [259](#)

 on TAKESOCKET [330](#)

clientid C structure [139](#)

close system call

 C language [148](#)

 EZACICAL call [353](#)

 use in child server [109](#)

 use in client [108](#)

 use in server [110](#)

COBOL language

 basic calls [17](#)

 call format [351](#)

 choosing EZACICAL or Sockets Extended API [349](#)

 compilation JCL [349](#)

 EZACICAL API [350](#), [379](#)

 socket API calls (EZACICAL, SOKETS)

 ACCEPT [351](#)

 BIND [352](#)

 CLOSE [353](#)

 CONNECT [354](#)

 FCNTL [355](#)

 GETCLIENTID [356](#)

 GETHOSTID [357](#)

 GETHOSTNAME [358](#)

 GETPEERNAME [359](#)

 GETSOCKNAME [360](#)

 GETSOCKOPT [361](#)

 GIVESOCKET [363](#)

 INITAPI [364](#)

 IOCTL [365](#)

 LISTEN [366](#)

 READ [367](#)

 RECVFROM [368](#)

 SELECT [369](#)

 SEND [371](#)

 SENDTO [372](#)

 SETSOCKOPT [373](#)

 SHUTDOWN [375](#)

 SOCKET [376](#)

 TAKESOCKET [377](#)

 WRITE [378](#)

COBOL language call

 EZASOKET [204](#)

COMMAND parameter on call interface, IOCTL call [266](#)

COMMAND parameter on call socket interface

 on EZACIC06 [339](#)

 on FCNTL [218](#)

Communications Server for z/OS, online information [xxx](#)

COMP (COBOL USAGE) [351](#)

concurrent server

 defined [8](#)

 illustrated [8](#), [9](#)

concurrent server (*continued*)
 writing your own [109](#)
configuration macro [44](#)
configuration transaction [57](#)
configuring CICS TCP/IP [21](#), [44](#)
connect system call
 C language [148](#)
 EZACICAL call [354](#)
 use in client [108](#)
conversion routines [132](#)
CONVERT [58](#), [62](#)
COPY [65](#)
CSKL transaction [116](#)
CSKL transaction, defining in CICS [25](#)

D

data conversion [132](#)
data sets, modifying [57](#)
data translation, socket interface
 ASCII to EBCDIC [337](#), [346](#)
 bit-mask to character [338](#)
 character to bit-mask [338](#)
 EBCDIC to ASCII [336](#), [345](#)
DEFINE [66](#)
DELETE [70](#)
Destination Control Table [33](#)
DFHSRT macroinstruction types [40](#)
disability [579](#)
DISPLAY [72](#)
DNS
 EZACIC25, adding to RDO [26](#)
DNS, online information [xxxi](#)
domain
 address family [112](#)
 parameter in socket call [198](#)
Domain Name Server cache
 cache file [80](#)
 EZACICR macro [80](#)
 initialization module, creating [81](#)

E

EBCDIC data format [132](#)
enhanced listener
 converting to [58](#), [62](#)
 parameters [50](#)
 temporary storage [24](#)
environmental support [101](#)
ERETMSK parameter on call interface, on SELECT [295](#)
ERRNO parameter on call socket interface
 on ACCEPT [208](#)
 on BIND [210](#)
 on CLOSE [214](#)
 on CONNECT [217](#)
 on FCNTL [218](#)
 on FREEADDRINFO [219](#)
 on GETADDRINFO [226](#)
 on GETCLIENTID [228](#)
 on GETHOSTNAME [234](#)
 on GETNAMEINFO [238](#)
 on GETPEERNAME [240](#)
 on GETSOCKNAME [242](#)

ERRNO parameter on call socket interface (*continued*)
 on GETSOCKOPT [244](#)
 on GIVESOCKET [260](#)
 on INITAPI [265](#)
 on IOCTL [274](#)
 on LISTEN [276](#)
 on NTOP [278](#)
 on PTON [280](#)
 on READ [281](#)
 on READV [283](#)
 on RECV [285](#)
 on RECVFROM [288](#)
 on RECVMMSG [291](#)
 on SELECT [295](#)
 on SELECTEX [300](#)
 on SEND [302](#)
 on SENDMSG [306](#)
 on SENDTO [308](#)
 on SETSOCKOPT [310](#)
 on SHUTDOWN [327](#)
 on SOCKET [328](#)
 on TAKESOCKET [330](#)
 on WRITE [332](#)
 on WRITEV [334](#)
errno variable [142](#)
error check option [173](#)
ESDNMASK parameter on call interface, on SELECT [295](#)
event monitoring
 for listener [36](#)
 for TRUE [34](#)
EWOULDBLOCK error return, call interface calls
 RECV [283](#)
 RECVFROM [285](#)
EXEC CICS LINK [98](#)
EXEC CICS RETRIEVE [114](#)
EXEC CICS START [114](#)
EZAC (configuration transaction) [57](#)
EZAC start screen [92](#)
EZACACHE, defining to RDO [32](#)
EZACIC04, call interface, EBCDIC to ASCII translation [336](#)
EZACIC05, call interface, ASCII to EBCDIC translation [337](#)
EZACIC06 [15](#)
EZACIC06, call interface, bit-mask translation [338](#)
EZACIC08, HOSTENT structure interpreter utility [340](#)
EZACIC09, ADDRINFO structure interpreter utility [342](#)
EZACIC14, call interface, EBCDIC to ASCII translation [345](#)
EZACIC15, call interface, ASCII to EBCDIC translation [346](#)
EZACIC6C sample [507](#)
EZACIC6S sample [516](#)
EZACICAC sample [535](#)
EZACICAL [349](#)
EZACICAL API [350](#), [379](#)
EZACICAL program [350](#)
EZACICAS sample [541](#)
EZACICD (configuration macro) [44](#)
EZACICR macro [80](#), [81](#)
EZACICSC sample [485](#)
EZACICSE program [124](#)
EZACICSS sample [491](#)
EZACICxx programs
 defining in CICS [26](#)
 EZACIC00 [26](#)
 EZACIC01 [27](#)
 EZACIC02 [27](#)

EZACICxx programs (*continued*)

- [EZACIC03](#) [30](#)
- [EZACIC07](#) [30](#)
- [EZACIC20](#)
 - PLT entries [40](#)
- [EZACIC21](#) [27](#)
- [EZACIC22](#) [27](#)
- [EZACIC23](#) [27](#)
- [EZACIC24](#) [28](#)
- [EZACIC25](#)
 - defining in RDO [28](#)
 - Domain Name Server cache [80](#)
- [EZACICAL](#) [30](#)
- [EZACICM](#) [28](#)
- [EZACICME](#) [28](#)
- [EZACICSC](#) [29](#)
- [EZACICSS](#) [29](#)
 - summary [26](#)
- EZACONFG, defining to RDO [31](#)
- EZAO transaction
 - defining in CICS [25](#)
 - manual startup/shutdown [88](#)
- EZAP transaction
 - defining in CICS [25](#)
- EZASOKET [38](#), [129](#), [204](#)

F

- FCNTL (call) [217](#)
- fcntl system call
 - C language [150](#), [151](#)
 - EZACICAL call [355](#)
- files, defining to RDO
 - EZACACHE [32](#)
 - EZACONFG [31](#)
- FLAGS parameter on call socket interface
 - on RECV [284](#)
 - on RECVFROM [286](#)
 - on RECVMMSG [291](#)
 - on SEND [302](#)
 - on SENDMSG [305](#)
 - on SENDTO [307](#)
- FNDELAY flag on call interface, on FCNTL [218](#)
- FREEADDRINFO (call) [218](#)
- Functions
 - ALTER [58](#)
 - CONVERT [62](#)
 - COPY [65](#)
 - DEFINE [66](#)
 - DELETE [70](#)

G

- gai_strerror system call
 - C language [151](#)
- GETADDRINFO (call) [219](#)
- getaddrinfo system call
 - C language [152](#)
- GETCLIENTID (call) [227](#)
- getclientid system call
 - C language [157](#)
 - EZACICAL call [356](#)
 - use in server [109](#), [114](#)

- GETHOSTBYADDR (call) [228](#)
- GETHOSTBYNAME (call) [231](#)
- GETHOSTID (call) [233](#)
- gethostid system call
 - C language [159](#)
 - EZACICAL call [357](#)
- GETHOSTNAME (call) [233](#)
- gethostname system call
 - C language [158](#), [159](#)
 - EZACICAL call [358](#)
- GETNAMEINFO (call) [235](#)
- getnameinfo system call
 - C language [161](#)
- GETPEERNAME (call) [238](#)
- getpeername system call
 - C language [163](#)
 - EZACICAL call [359](#)
- GETSOCKNAME (call) [240](#)
- getsockname system call
 - C language [164](#), [174](#)
 - EZACICAL call [360](#)
- GETSOCKOPT (call) [242](#)
- getsockopt system call
 - C language [165](#)
 - EZACICAL call [361](#)
- GIVESOCKET (call) [258](#)
- givesocket system call
 - C language [176](#)
 - EZACICAL call [363](#)
 - use in server [110](#), [114](#)
- group_req structure [141](#)
- group_source_req structure [141](#)

H

- hlq.PROFILE.TCPIP data set [43](#)
- hlq.TCPIP.DATA data set [43](#)
- HOSTADDR parameter on call interface, on GETHOSTBYADDR [229](#)
- HOSTENT parameter on socket call interface
 - on GETHOSTBYADDR [229](#)
 - on GETHOSTBYNAME [231](#)
- HOSTENT structure interpreter parameters, on EZACIC08 [341](#)
- HOW parameter on call interface, on SHUTDOWN [326](#)

I

- IBM Software Support Center, contacting xxiv
- IDENT parameter on call interface, INITAPI call [264](#)
- if_freenameindex system call
 - C language [177](#)
- if_indextoname system call
 - C language [177](#)
- If_NameIndex C structure [140](#)
- if_nameindex system call
 - C language [178](#)
- if_nametoindex system call
 - C language [178](#)
- ifconf C structure [139](#)
- ifreq C structure [139](#)
- immediate=no [96](#)
- immediate=yes [96](#)

IN-BUFFER parameter on call interface, EZACIC05 call [338](#)

inet_ntop system call

 C language [179](#)

inet_pton system call

 C language [180](#)

Information APARs [xxviii](#)

initapi system call

 C language [182](#)

 EZACICAL call [364](#)

 use in client [107](#)

 use in server [109](#)

INITAPI(call) [263](#)

INITAPIX [263](#)

installing CICS TCP/IP [21](#)

Internet, finding z/OS information online [xxx](#)

Internets, TCP/IP [1](#)

interval control [117](#)

IOCTL (call) [265](#)

ioctl system call

 C language [183](#)

 EZACICAL call [365](#)

IOV parameter on call socket interface

 on READV [282](#)

 on WRITEV [333](#)

IOVCNT parameter on call socket interface

 on READV [283](#)

 on RECVMSG [291](#)

 on SENDMSG [305](#)

 on WRITEV [333](#)

IP protocol [3](#)

ip_mreq C structure [140](#)

ip_mreq_source structure [141](#)

ipv6_mreq C structure [140](#)

iterative server

 defined [8](#)

 illustrated [9](#), [106](#)

 socket calls in [110](#)

J

JCL jobs

 for C compilation [138](#)

 for CICS startup [21](#), [23](#)

 for COBOL compilation [349](#)

 for DNS cache file [82](#)

K

keyboard [579](#)

L

LENGTH parameter on call socket interface

 on EZACIC04 [337](#)

 on EZACIC05 [338](#)

 on EZACIC14 [346](#)

 on EZACIC15 [347](#)

license, patent, and copyright information [583](#)

linger C structure [140](#)

linger on close option [173](#)

link, program [98](#)

LISTEN (call) [275](#)

listen system call

listen system call (*continued*)

 C language [186](#)

 EZACICAL call [366](#)

 use in server [109](#)

listener

 enhanced

 converting to [58](#), [62](#)

 parameters [50](#)

 temporary storage [24](#)

 input format [116](#)

 monitor control table [36](#)

 output format [118](#)

 security or transaction modules [124](#)

 standard

 converting to enhanced listener [58](#), [62](#)

 parameters [50](#)

 starting and stopping [116](#), [129](#)

 user-written [101](#)

listener/server call sequence [108](#)

listener/server, socket call (general) [109](#)

little endian [114](#)

M

macro, EZACICR [80](#)

macros, address testing [200](#)

mainframe

 education [xxviii](#)

manifest.h C header [137](#)

manual startup [88](#)

MAXFILEPROC [53](#), [77](#)

MAXSNO parameter on call interface, INITAPI call [265](#)

MAXSOC parameter on call socket interface

 on INITAPI [264](#)

 on SELECT [294](#)

 on SELECTEX [299](#)

messages, sockets [401](#)

modifying data sets [57](#)

Monitor Control Table

 for listener [36](#)

monitoring, event

 for listener [36](#)

 for TRUE [34](#)

MSG parameter on call socket interface

 on RECVMSG [290](#)

 on SENDMSG [304](#)

MVS address spaces [113](#)

N

NAME parameter on socket call interface

 on ACCEPT [208](#)

 on BIND [210](#)

 on CONNECT [216](#)

 on GETHOSTBYNAME [231](#)

 on GETHOSTNAME [234](#)

 on GETPEERNAME [239](#)

 on GETSOCKNAME [241](#)

 on RECVFROM [287](#)

 on SENDTO [308](#)

NAMELEN parameter on socket call interface

 on GETHOSTBYNAME [231](#)

 on GETHOSTNAME [234](#)

NBYTE parameter on call socket interface
on READ [281](#)
on RECV [285](#)
on RECVFROM [287](#)
on SEND [302](#)
on SENDTO [308](#)
on WRITE [332](#)

NetConfHdr C structure [139](#)
network byte order [114](#)
NTOPI (call) [276](#)

O

OPTNAME parameter on call socket interface [203](#)
OPTVAL parameter on call socket interface [203](#)
original COBOL application programming interface (API) [349](#),
[379](#)
OSI [2](#)
OUT-BUFFER parameter on call interface, on EZACIC04 [337](#)
OUT-BUFFER parameter on call interface, on EZACIC14 [346](#)
OUT-BUFFER parameter on call interface, on EZACIC15 [347](#)
out-of-band data
options in get/setsockopt call [173](#)
sending with send call [192](#)

P

passing sockets [110](#)
pending activity [14](#)
pending exception [15](#)
pending read [15](#)
PL/I programs, required statement [205](#)
PLT [87](#)
PLT entry [40](#)
port numbers
definition [112](#)
reserving port numbers [43](#)
ports
compared with sockets [6](#)
numbers [112](#)
reserving port numbers [43](#)
prerequisite information [xxviii](#)
program link [98](#)
Program List Table [87](#)
program variable definitions, call interface
assembler definition [206](#)
COBOL PIC [206](#)
PL/I declare [206](#)
VS COBOL II PIC [206](#)
programs, defining in CICS [26](#)
programs, sample [485](#)
PROTO parameter on call interface, on SOCKET [328](#)
protocol parameter in socket call [198](#)
PTON (call) [278](#)

R

RDO
configure the socket interface (EZAC) [25](#)
READ (call) [280](#)
read system call
C language [186](#)
EZACICAL call [367](#)

read system call (*continued*)
use in child server [109](#)
use in client [108](#)
READV (call) [282](#)
RECV (call) [283](#)
recv system call, C language [187](#)
RECVFROM (call) [285](#)
recvfrom system call
C language [188](#)
EZACICAL call [368](#)
use in server [109](#)
RECVMSG (call) [288](#)
RENAME [76](#)
REQARG and RETARG parameter on call socket interface
on FCNTL [218](#)
on IOCTL [272](#)
requirements for CICS TCP/IP [16](#)
resource definition in CICS [24](#)
RETARG parameter on call interface, on IOCTL [274](#)
RETCODE parameter on call socket interface
on ACCEPT [208](#)
on BIND [210](#)
on CLOSE [214](#)
on CONNECT [217](#)
on EZACIC06 [339](#)
on FCNTL [218](#)
on FREEADDRINFO [219](#)
on GETADDRINFO [226](#)
on GETCLIENTID [228](#)
on GETHOSTBYADDR [229](#)
on GETHOSTBYNAME [232](#)
on GETHOSTID [233](#)
on GETHOSTNAME [234](#)
on GETNAMEINFO [238](#)
on GETPEERNAME [240](#)
on GETSOCKNAME [242](#)
on GETSOCKOPT [244](#)
on GIVESOCKET [260](#)
on INITAPI [265](#)
on IOCTL [274](#)
on LISTEN [276](#)
on NTOPI [278](#)
on PTON [280](#)
on READ [281](#)
on READV [283](#)
on RECV [285](#)
on RECVFROM [288](#)
on RECVMSG [291](#)
on SELECT [295](#)
on SELECTEX [300](#)
on SEND [302](#)
on SENDMSG [306](#)
on SENDTO [308](#)
on SETSOCKOPT [310](#)
on SHUTDOWN [327](#)
on SOCKET [328](#)
on TAKESOCKET [330](#)
on WRITE [332](#)
on WRITEV [334](#)
return codes
call interface [206](#)
reuse local address option [173](#)
RFC (request for comments)
accessing online [xxx](#)

RRETMASK parameter on call interface, on SELECT [295](#)
RSNDMSK parameter on call interface, on SELECT [294](#)

S

S, defines socket descriptor on socket call interface

- on ACCEPT [207](#)
- on BIND [209](#)
- on CLOSE [214](#)
- on CONNECT [216](#)
- on FCNTL [218](#)
- on GETPEERNAME [239](#)
- on GETSOCKNAME [241](#)
- on GETSOCKOPT [243](#)
- on GIVESOCKET [259](#)
- on IOCTL [266](#)
- on LISTEN [276](#)
- on READ [281](#)
- on READV [282](#)
- on RECV [284](#)
- on RECVFROM [286](#)
- on RECVMSG [289](#)
- on SEND [302](#)
- on SENDMSG [304](#)
- on SENDTO [307](#)
- on SETSOCKOPT [309](#)
- on SHUTDOWN [326](#)
- on WRITE [332](#)
- on WRITEV [333](#)

sample programs [485](#)

security or transaction modules [124](#)

SELECT (call) [291](#)

select mask [14](#)

select system call

- C language [190](#)
- EZACICAL call [369](#)
- use in server [109](#), [110](#)

SELECTEX (call) [295](#)

SELECTEX sample [554](#)

SEND (call) [301](#)

send system call

- C language [192](#)
- EZACICAL call [371](#)

SENDMSG (call) [303](#)

SENDTO (call) [306](#)

sendto system call

- C language [193](#)
- EZACICAL call [372](#)

server

- definition [2](#)
- socket calls in child server [108](#)
- socket calls in concurrent server [109](#)
- socket calls in iterative server [110](#)

SetADContainer structure [141](#)

SetApplData structure [141](#)

SETSOCKOPT (call) [309](#)

setsockopt system call

- C language [165](#)
- EZACICAL call [373](#)

shortcut keys [579](#)

SHUTDOWN (call) [325](#)

shutdown system call

- C language [197](#)
- EZACICAL call [375](#)

shutdown, immediate [96](#)

shutdown, manual [88](#)

SNA protocols and CICS [1](#)

SOCK_STREAM type parameter [198](#)

sockaddr_in C structure

- format [140](#)
- use in accept call [143](#)
- use in bind call [144](#)
- use in connect call [149](#)

sockaddr_in6 C structure [140](#)

SOCKET (call) [327](#)

socket call interface

- on ACCEPT [207](#)
- on BIND [209](#)
- on CLOSE [214](#)
- on CONNECT [216](#)
- on FCNTL [218](#)
- on GETPEERNAME [239](#)
- on GETSOCKNAME [241](#)
- on GETSOCKOPT [243](#)
- on GIVESOCKET [259](#)
- on IOCTL [266](#)
- on LISTEN [276](#)
- on READ [281](#)
- on READV [282](#)
- on RECV [284](#)
- on RECVFROM [286](#)
- on RECVMSG [289](#)
- on SEND [302](#)
- on SENDMSG [304](#)
- on SENDTO [307](#)
- on SETSOCKOPT [309](#)
- on SHUTDOWN [326](#)
- on WRITE [332](#)
- on WRITEV [333](#)

socket system call

- EZACICAL call [376](#)
- use in client [108](#)
- use in server [109](#)

sockets

- compared with ports [6](#)
- introduction [3](#)
- passing [110](#)

Sockets Extended API [3](#)

sockets messages [401](#)

sockets SPI blocking call [99](#)

SOCRECV parameter on call interface, TAKESOCKET call [329](#)

SOCTYPE parameter on call interface, on SOCKET [328](#)

softcopy information [xxviii](#)

SRT [40](#)

standard listener

- converting to enhanced listener [58](#), [62](#)
- parameters [50](#)

startup

- automatic [87](#)
- manually [88](#)
- program link [98](#)

storage protection machines [25](#), [26](#)

stub program [17](#)

subtask [17](#)

SUBTASK parameter on call interface, INITAPI call [264](#)

summary of changes [xxxiii](#)

support, environmental [101](#)

syntax diagram, how to read [xxv](#)

system recovery table [40](#)
system services segment, adding a z/OS UNIX system services [44](#)

T

TAKESOCKET (call) [329](#)
takesocket system call
 C language [198](#)
 EZACICAL call [377](#)
 use in child server [108](#), [114](#)
task control [117](#)
Task Hangs [99](#)
task-related user exit [17](#)
TCP protocol [2](#)
TCP_NODELAY [167](#), [172](#)
TCP/IP
 online information [xxx](#)
 protocol specifications [559](#)
TCP/IP protocols [2](#)
TCP/IP services, modifying data sets [42](#)
TCP/IP, compared with SNA [1](#)
TCPIP.DATA data set [43](#)
tcpip.SEZACMAC data set [137](#)
TCPJOBNAME user id [43](#)
TCPM td queue [33](#)
Technotes [xxviii](#)
TERMAPI (call) [330](#)
TIMEOUT parameter on call interface, on SELECT [294](#)
TIMEOUT parameter on call socket interface
 on SELECTEX [299](#)
timeval structure [141](#)
trademark information [586](#)
transaction identifier [117](#)
transactions, defining in CICS [24](#)
transient data [33](#)
TRUE module
 description [17](#)
 monitor control table [34](#)
type (of socket) option [174](#)
type parameter
 TYPE=CICS [46](#)
 TYPE=INITIAL [46](#)
 TYPE=LISTENER [50](#)
type parameter in socket call [198](#)

U

UDP protocol [2](#)
UNIX System Services [53](#)
use of ADDRINFO structure interpreter, EZACIC09 [343](#)
use of HOSTENT structure interpreter, EZACIC08 [340](#)
utility programs
 EZACIC04 [336](#)
 EZACIC05 [337](#)
 EZACIC06 [338](#)
 EZACIC08 [340](#)
 EZACIC09 [342](#)
 EZACIC14 [345](#)
 EZACIC15 [346](#)

V

VSAM cache file [80](#)
VTAM, online information [xxx](#)

W

WRETMSK parameter on call interface, on SELECT [295](#)
WRITE (call) [331](#)
write system call
 C language [199](#)
 EZACICAL call [378](#)
 use in child server [109](#)
 use in client [108](#)
WRITEV (call) [332](#)
WSNDMSK parameter on call interface, on SELECT [295](#)

Z

z/OS Basic Skills Information Center [xxviii](#)
z/OS UNIX System Services [77](#)
z/OS UNIX System Services — adding a z/OS UNIX system services segment [44](#)
z/OS, documentation library listing [587](#)

Communicating your comments to IBM

Important: If your comment regards a technical question or problem, see instead [“If you have a technical problem”](#) on page 599.

Submit your feedback by using the appropriate method for your type of comment or question:

Feedback on z/OS function

If your comment or question is about z/OS itself, submit a request through the [IBM RFE Community](#) (www.ibm.com/developerworks/rfe/).

Feedback on IBM Documentation function

If your comment or question is about the IBM Documentation functionality, for example search capabilities or how to arrange the browser view, send a detailed email to IBM Documentation Support at ibmdocs@us.ibm.com.

Feedback on the z/OS product documentation and content

If your comment is about the information that is provided in the z/OS product documentation library, send a detailed email to mhvrcfs@us.ibm.com. We welcome any feedback that you have, including comments on the clarity, accuracy, or completeness of the information.

To help us better process your submission, include the following information:

- Your name, company/university/institution name, and email address
- The title and order name of the document, and the version of z/OS Communications Server
- The section title of the specific information to which your comment relates
- The text of your comment.

When you send comments to IBM, you grant IBM a nonexclusive authority to use or distribute the comments in any way appropriate without incurring any obligation to you.

IBM or any other organizations use the personal information that you supply to contact you only about the issues that you submit.

If you have a technical problem

If you have a technical problem or question, do not use the feedback methods that are provided for sending documentation comments. Instead, take one or more of the following actions:

- Go to the [IBM Support Portal](#) (support.ibm.com).
- Contact your IBM service representative.
- Call IBM technical support.



Product Number: 5650-ZOS

SC27-3649-50

